

US00D499075S

(12) **United States Design Patent**
Yoon et al.

(10) **Patent No.:** **US D499,075 S**
(45) **Date of Patent:** **** Nov. 30, 2004**

(54) **LIGHT-EMITTING DIODE**
(75) **Inventors:** **Joon Ho Yoon**, Seoul (KR); **Jung Kyu Park**, Kyungki-do (KR); **Young Sam Park**, Seoul (KR)

5,325,271 A * 6/1994 Hutchisson 362/555
5,729,269 A * 3/1998 Ohnishi et al. 347/130
6,028,351 A * 2/2000 Klonis et al. 257/680
6,238,076 B1 * 5/2001 Pascale et al. 362/558
D476,960 S * 7/2003 Fukasawa et al. D13/182
D478,879 S * 8/2003 Imai D13/182

(73) **Assignee:** **Samsung Electro-Mechanics Co., Ltd.**
(KR)

FOREIGN PATENT DOCUMENTS

(**) **Term:** **14 Years**

JP 30-0294490 A 2/2003

* cited by examiner

(21) **Appl. No.:** **29/199,049**

Primary Examiner—Stella Reid

(22) **Filed:** **Feb. 9, 2004**

Assistant Examiner—Selina Sikder

(30) **Foreign Application Priority Data**

(74) *Attorney, Agent, or Firm*—Webb Ziesenheim Logsdon
Orkin & Hanson, P.C.

Jan. 14, 2004 (KR) 30-2004-0000997

(57) **CLAIM**

(51) **LOC (7) Cl.** **13-03**

The ornamental design for a light-emitting diode, as shown and described.

(52) **U.S. Cl.** **D13/180**

(58) **Field of Search** D13/180, 182;
D10/104, 114; 257/76, 79, 88, 89, 93-99,
434, 676, 678, 687, 690, 698, 787; 313/498,
499, 500; 347/130; 361/760, 820; 362/226,
241, 249, 250, 307, 555, 558, 582, 800

DESCRIPTION

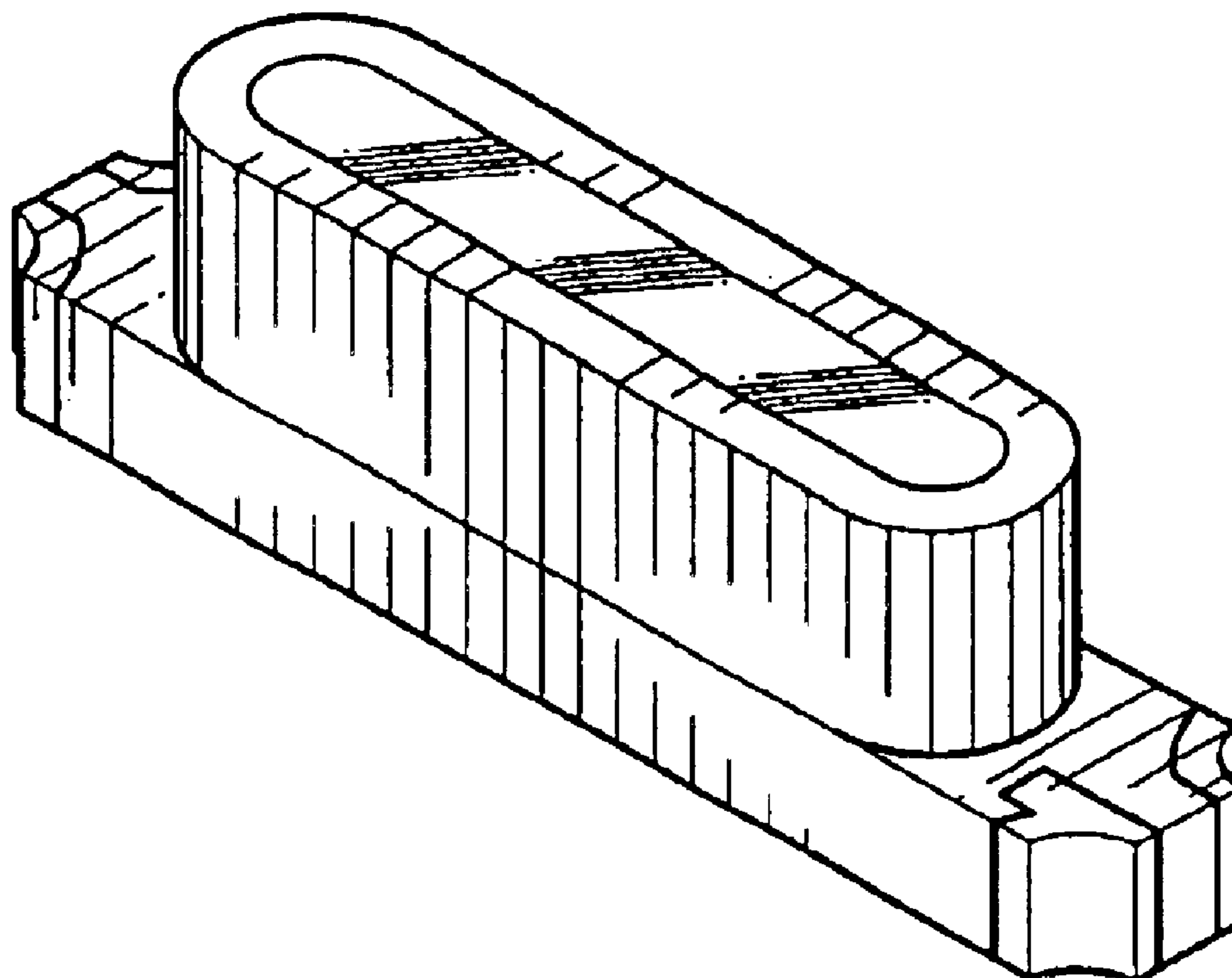
FIG. 1 is a perspective view of a light-emitting diode of the invention;
FIG. 2 is a front view thereof;
FIG. 3 is a left side view thereof;
FIG. 4 is a top plan view thereof; and,
FIG. 5 is a bottom view thereof.

(56) **References Cited**

U.S. PATENT DOCUMENTS

4,727,457 A * 2/1988 Thillays 362/582

1 Claim, 2 Drawing Sheets



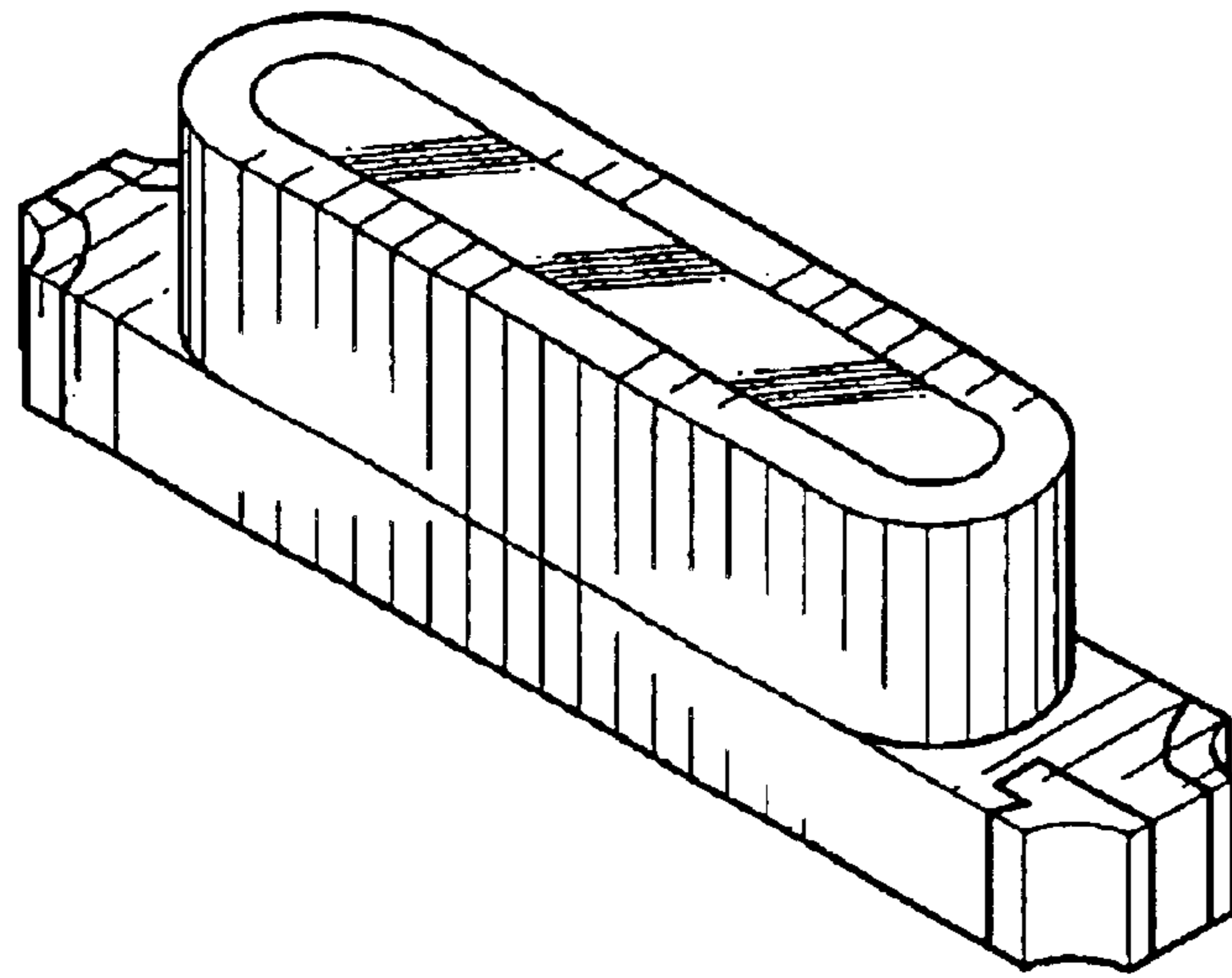


FIG. 1

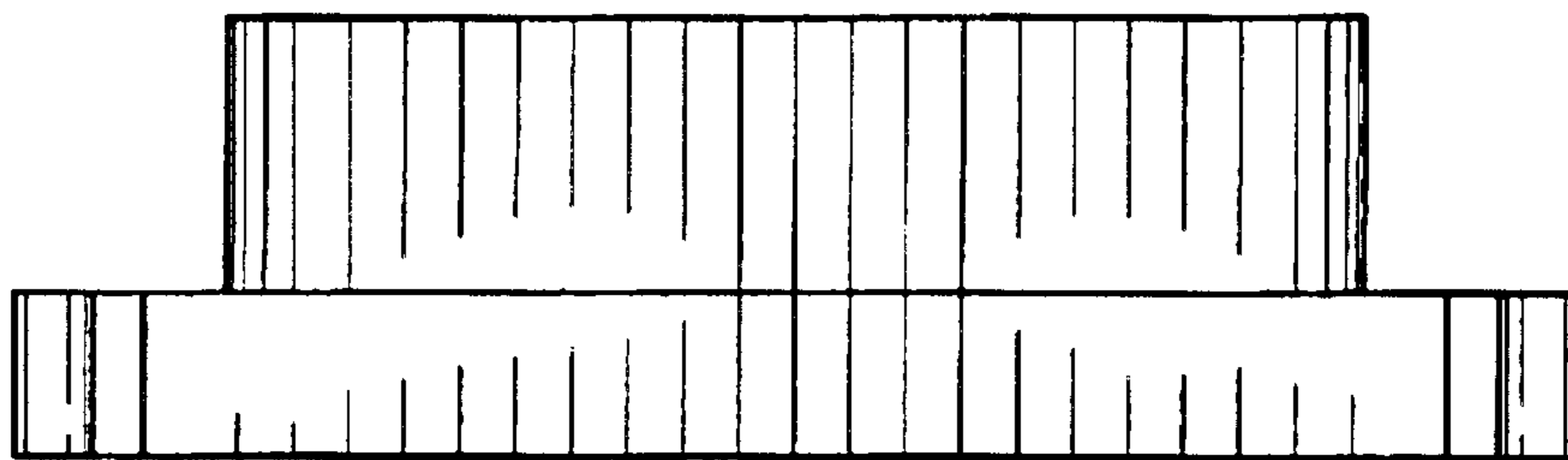


FIG. 2



FIG. 3

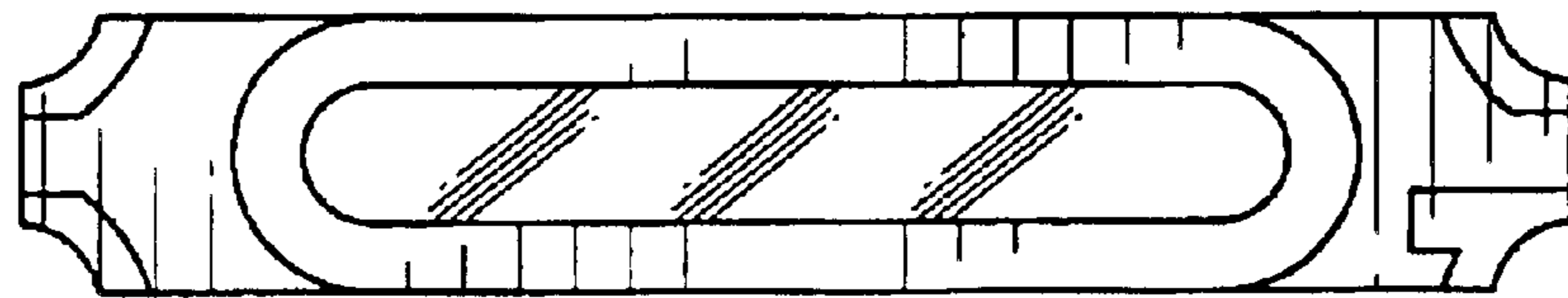


FIG. 4

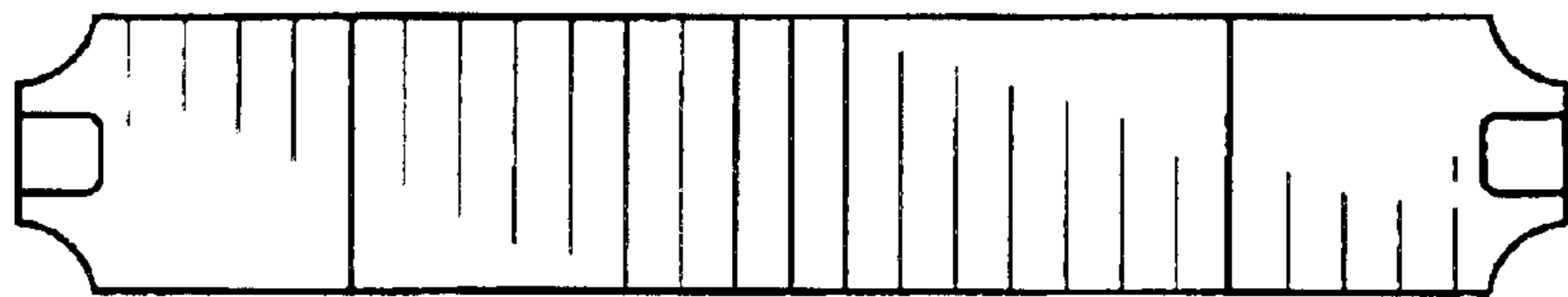


FIG. 5