

US00D499073S

(12) **United States Design Patent**
Lin

(10) **Patent No.:** **US D499,073 S**

(45) **Date of Patent:** **** Nov. 30, 2004**

(54) **ROTARY INSULATION DISPLACEMENT CONNECTOR**

6,019,641 A * 2/2000 Kan 439/676
6,371,793 B1 * 4/2002 Doorhy et al. 439/404
D458,591 S * 6/2002 Chang D13/147
6,558,197 B1 * 5/2003 Chen et al. 439/607

(75) Inventor: **Yen Lin Lin**, Lu-Chou (TW)

* cited by examiner

(73) Assignee: **Jyh Eng Industrial Co., Ltd.**, Taipei Hsien (TW)

Primary Examiner—Prabhakar Deshmukh

Assistant Examiner—Selina Sikder

(**) Term: **14 Years**

(74) *Attorney, Agent, or Firm*—Troxell Law Office PLLC

(21) Appl. No.: **29/181,162**

(57) **CLAIM**

(22) Filed: **May 7, 2003**

The ornamental design for the rotary insulation displacement connector, as shown and described.

(51) **LOC (7) Cl.** **13-03**

(52) **U.S. Cl.** **D13/147; D14/256**

(58) **Field of Search** D13/133, 146,
D13/147; D14/256; 439/344, 345, 357,
359, 488–491, 607, 676

DESCRIPTION

(56) **References Cited**

U.S. PATENT DOCUMENTS

4,634,204 A * 1/1987 Detter et al. 439/347
D289,753 S * 5/1987 Law D13/133
5,741,152 A * 4/1998 Boutros 439/490
D400,178 S * 10/1998 Liu D13/147

FIG. 1 is a perspective view of the appearance of my new design;

FIG. 2 is a front view thereof;

FIG. 3 is a rear view thereof;

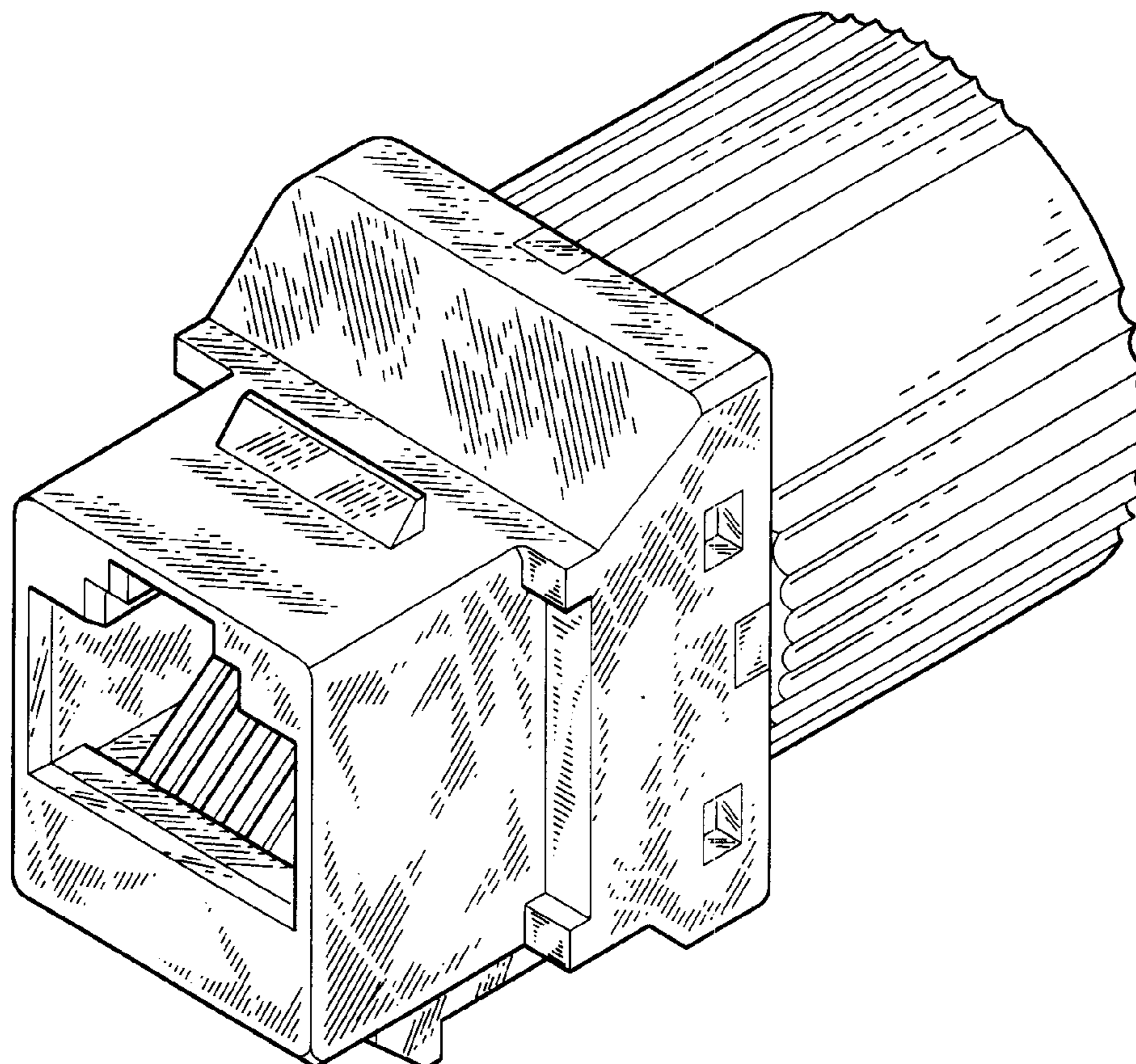
FIG. 4 is a left side view thereof;

FIG. 5 is a right side view thereof;

FIG. 6 is a top view thereof; and,

FIG. 7 is a bottom view thereof.

1 Claim, 4 Drawing Sheets



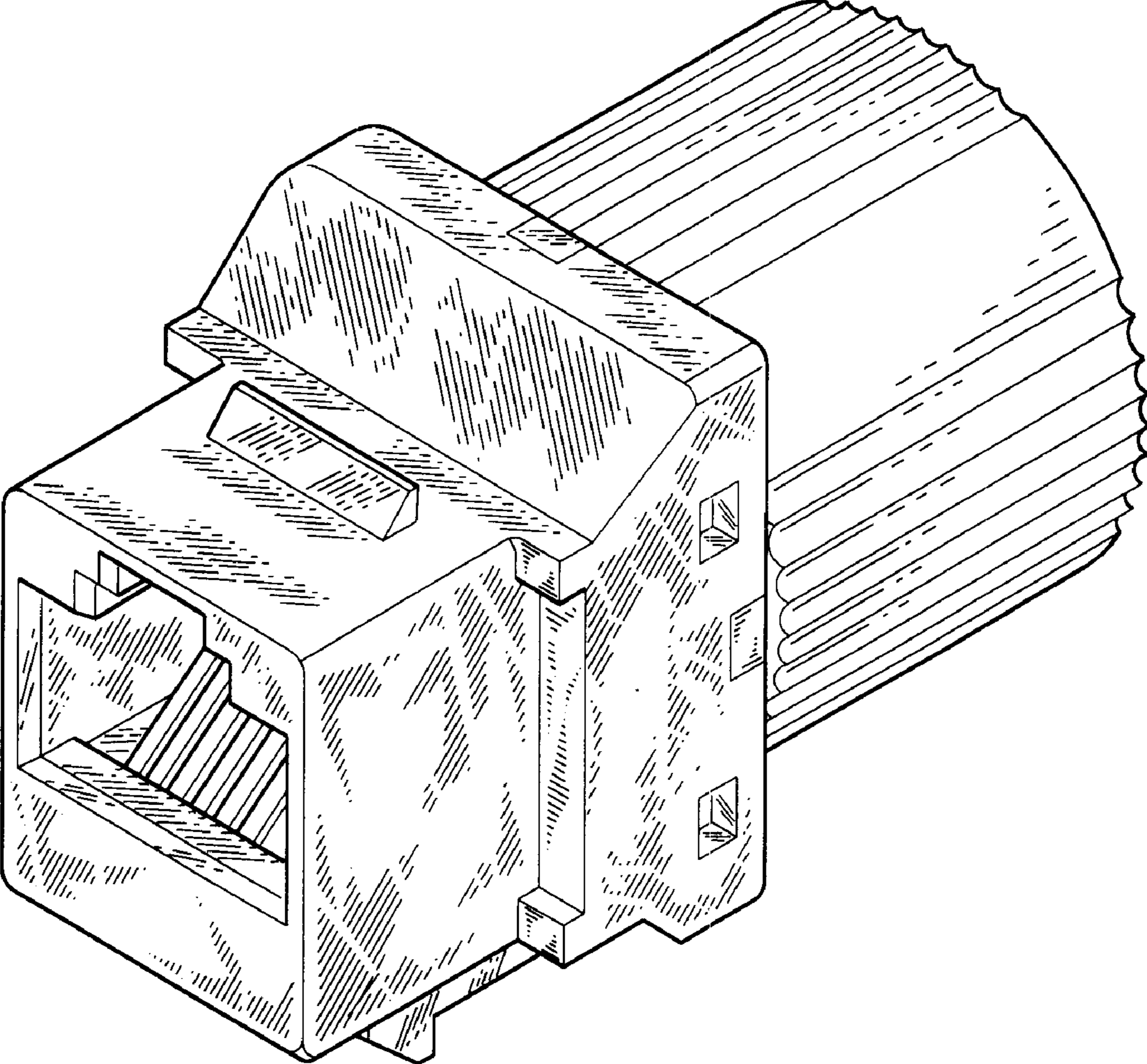


FIG. 1

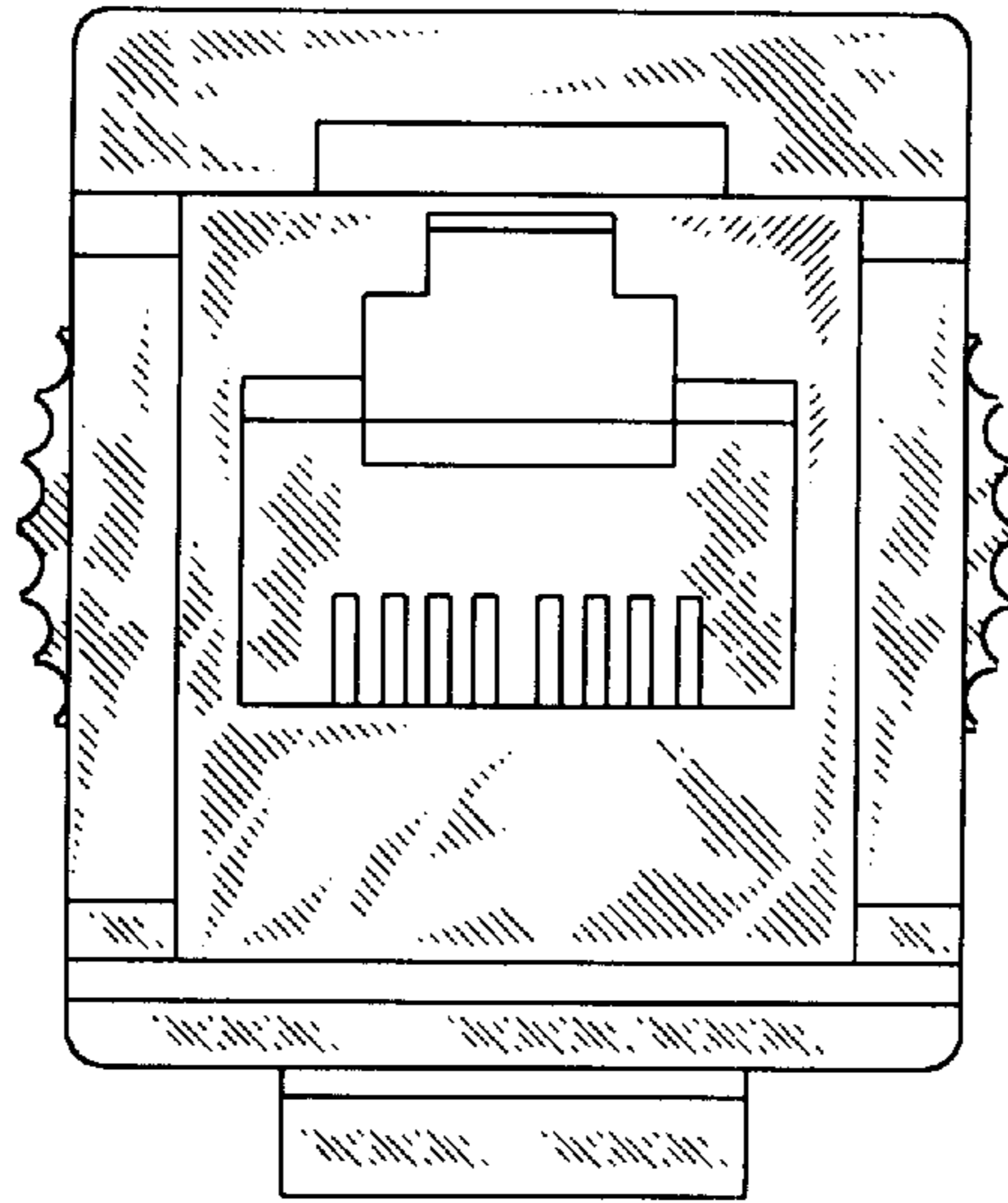


FIG. 2

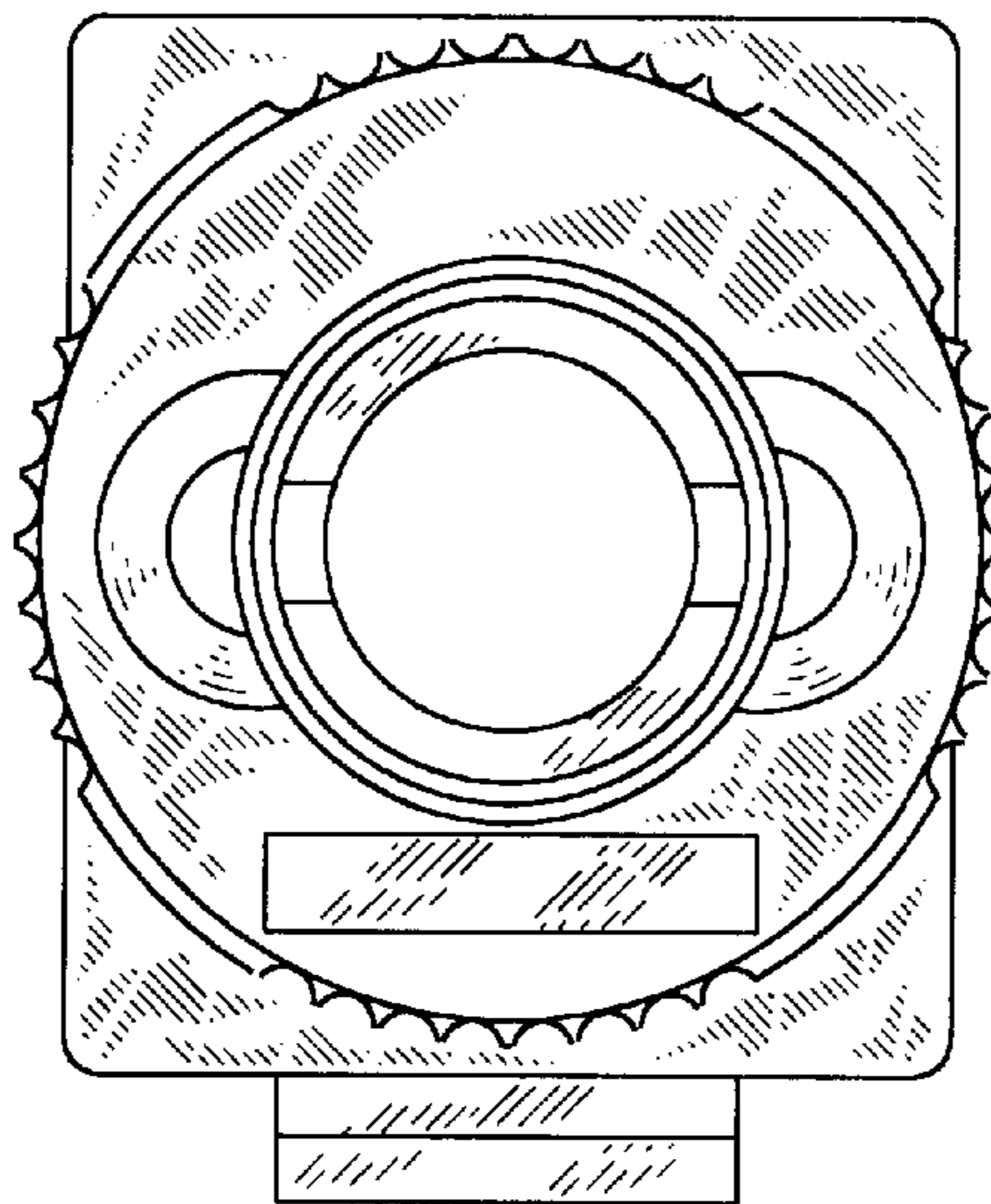


FIG. 3

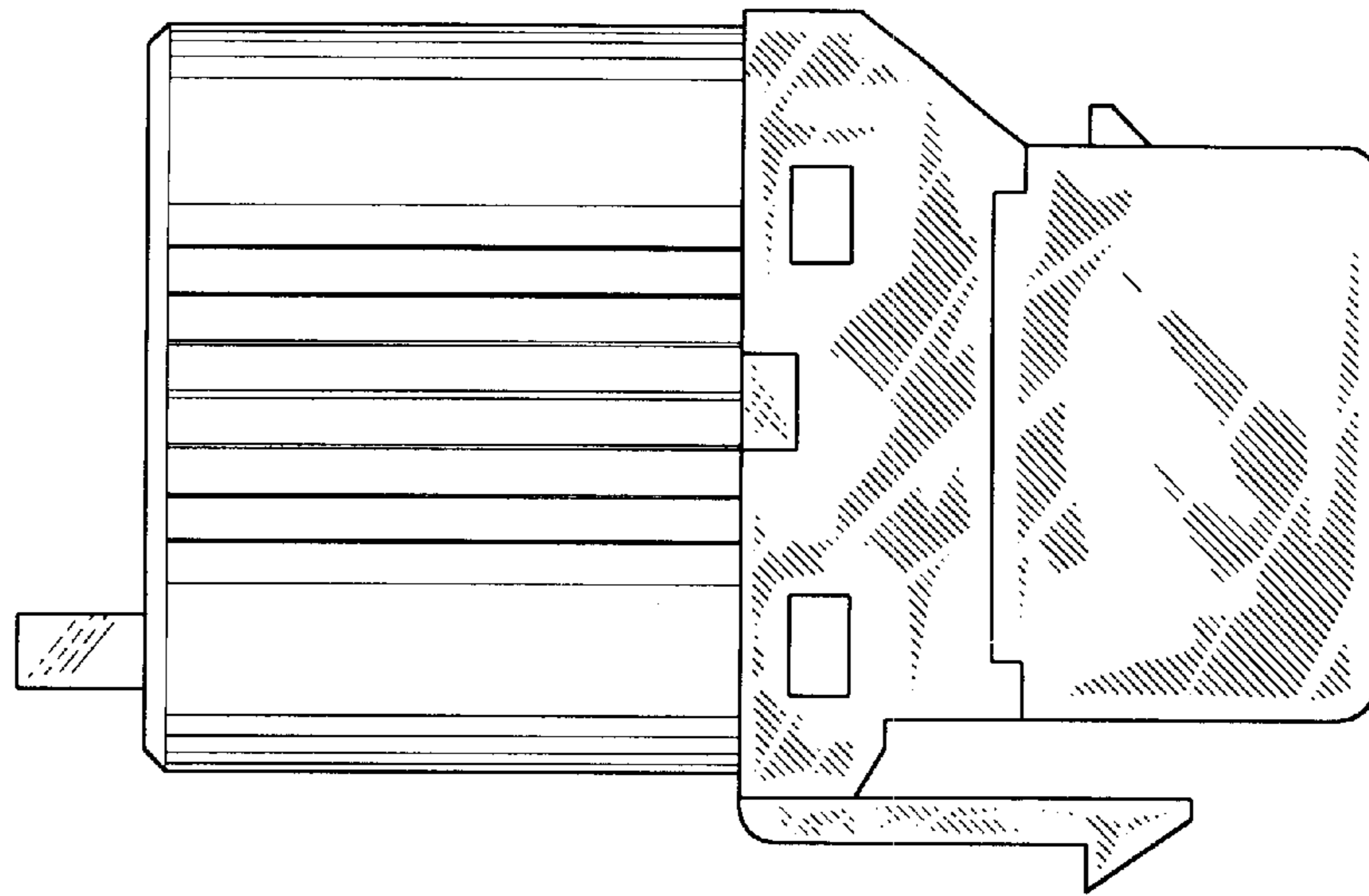


FIG. 4

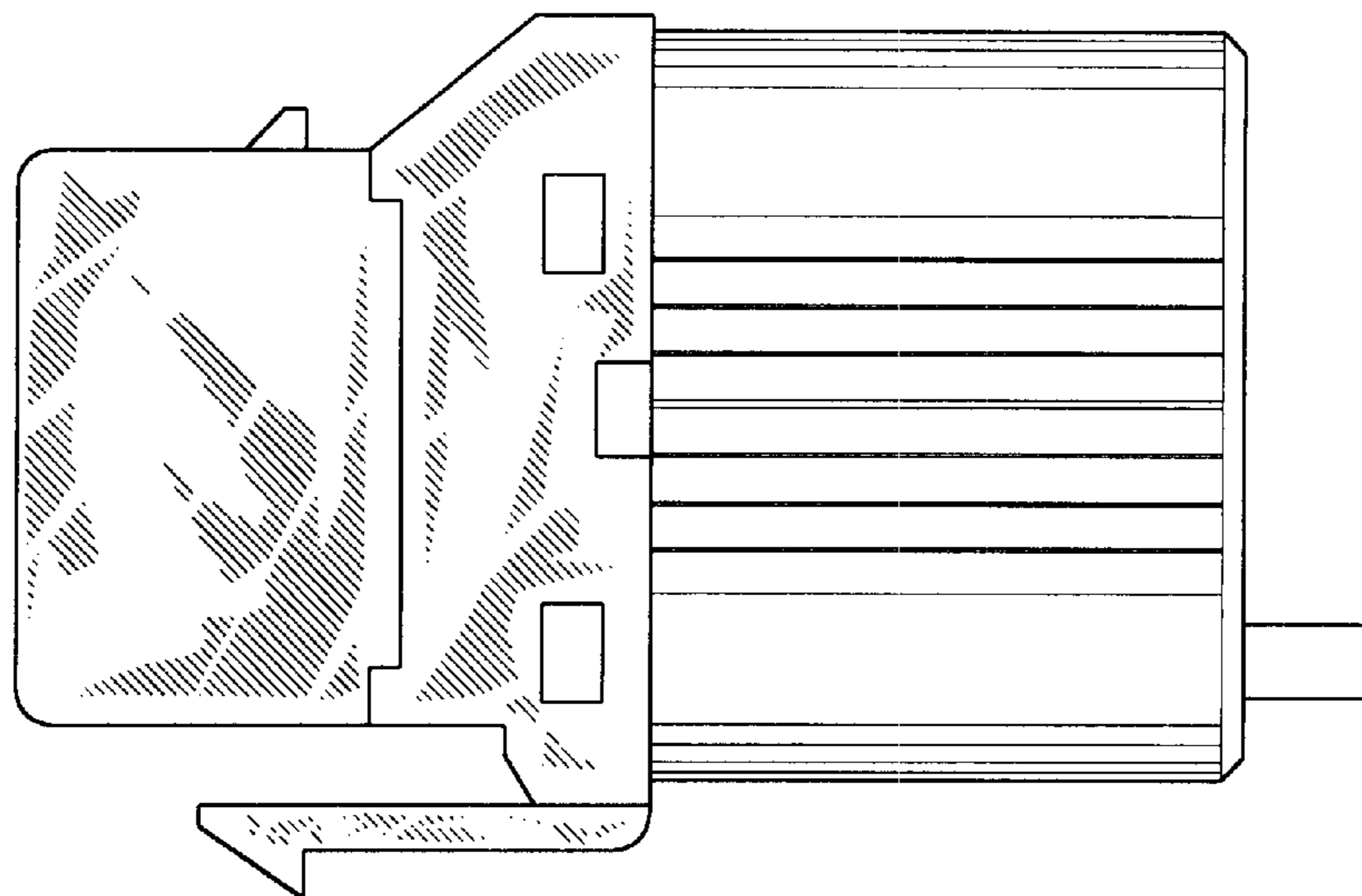


FIG. 5

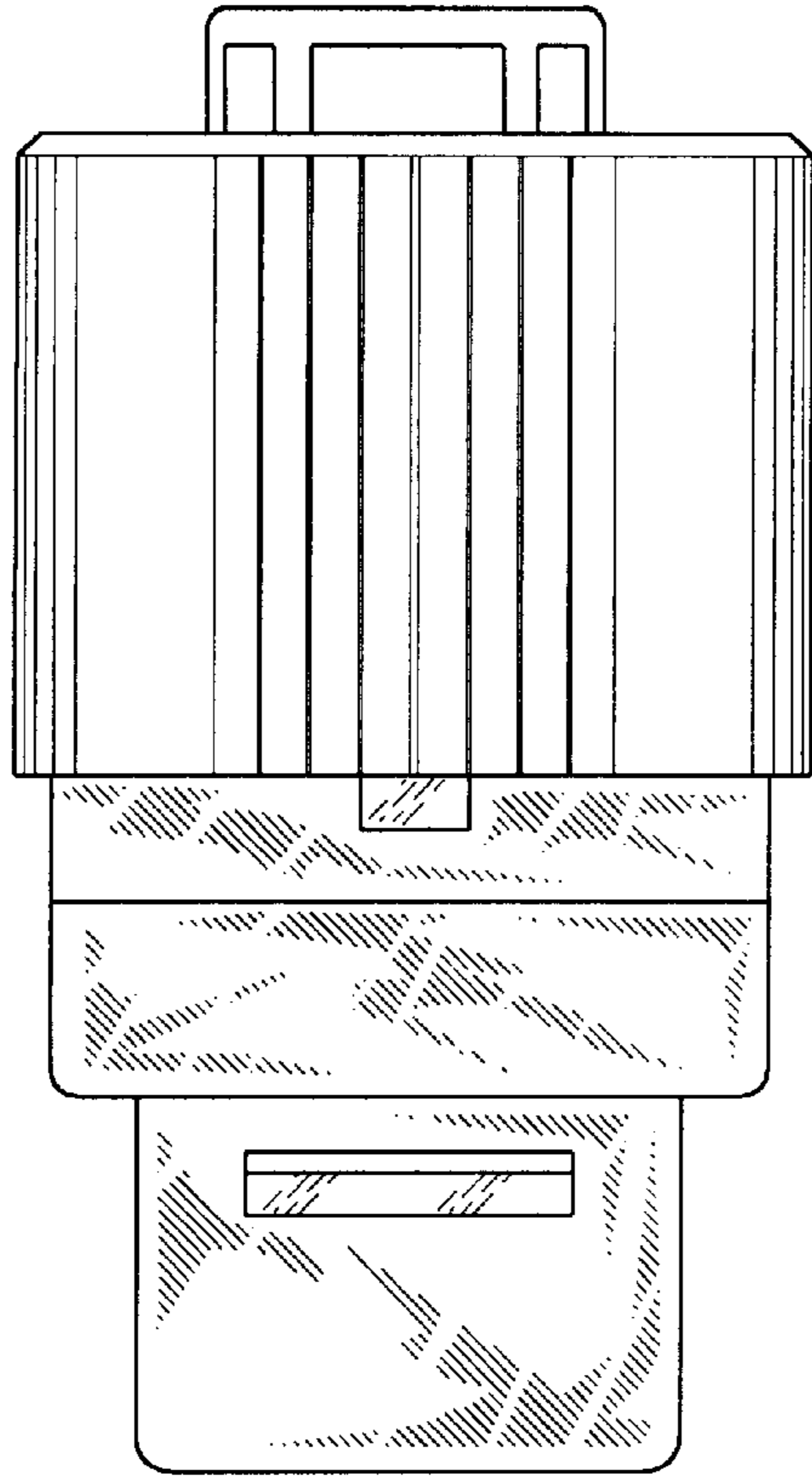


FIG. 6

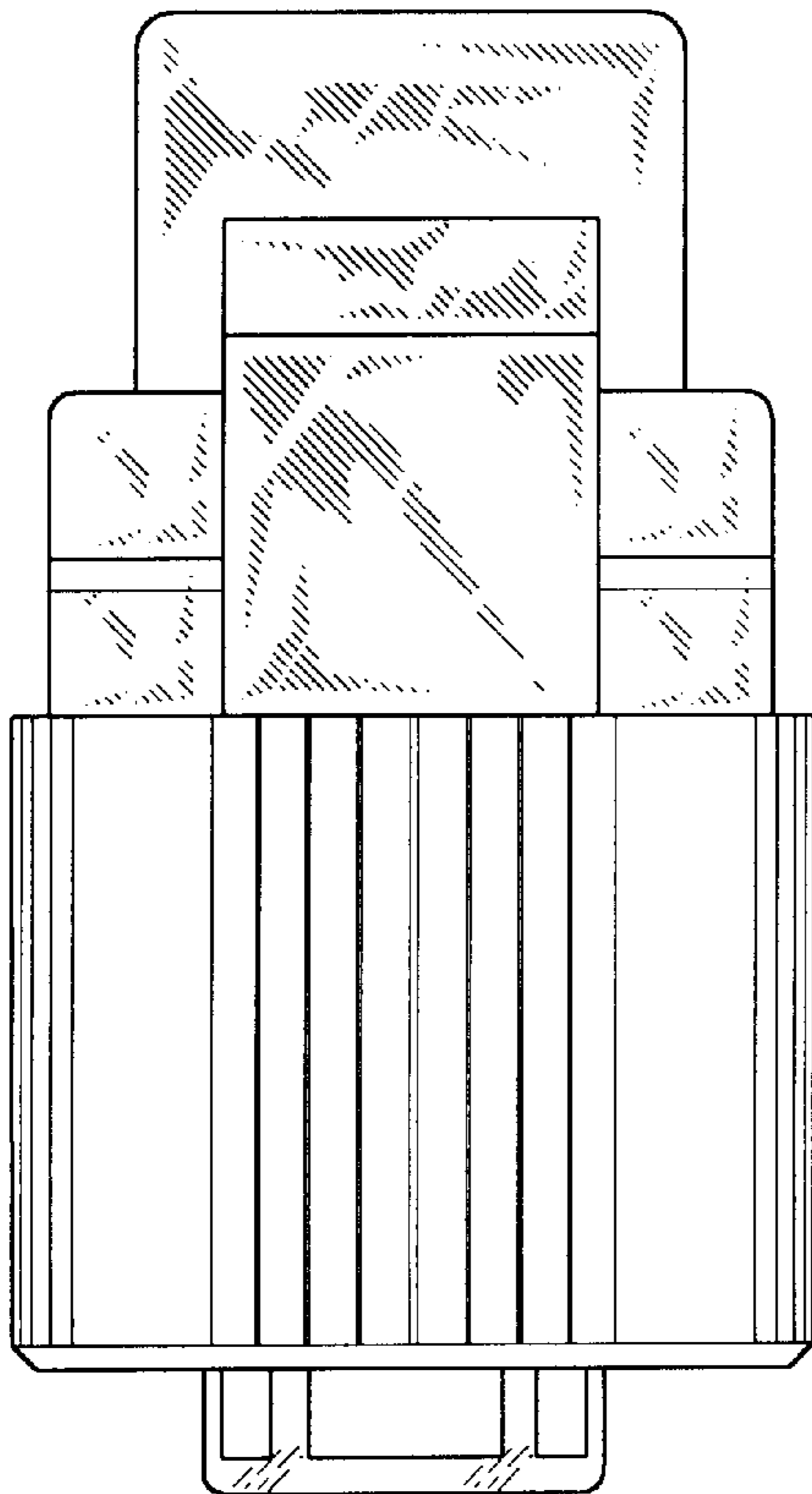


FIG. 7