

US00D499072S

(12) **United States Design Patent** (10) **Patent No.:** **US D499,072 S**
Walter (45) **Date of Patent:** **** Nov. 30, 2004**

(54) **CLAMPING CONNECTOR**

(75) Inventor: **Frank Walter**, Blumberg (DE)

(73) Assignee: **RIA-BTR Produktions GmbH**,
Blumberg (DE)

(**) Term: **14 Years**

(21) Appl. No.: **29/167,894**

(22) Filed: **Sep. 23, 2002**

(51) **LOC (7) Cl.** **13-03**

(52) **U.S. Cl.** **D13/147**

(58) **Field of Search** D13/147, 149,
D13/151; 361/119, 823; 439/409, 412, 417,
441, 709, 710, 716, 717, 721, 729, 812,
835

(56) **References Cited**

U.S. PATENT DOCUMENTS

D281,415 S	*	11/1985	Nusse	D13/147
5,993,267 A	*	11/1999	Lin	439/709
5,993,270 A	*	11/1999	Geske et al.	439/835
6,004,168 A	*	12/1999	Fuchs et al.	439/835
6,146,217 A	*	11/2000	Osada	439/835
6,270,384 B2	*	8/2001	Jaag	439/835
6,488,527 B2	*	12/2002	Yoon	439/441
D473,519 S	*	4/2003	Borst	D13/147

* cited by examiner

Primary Examiner—Stella Reid
Assistant Examiner—Selina Sikder

(74) *Attorney, Agent, or Firm*—Choate, Hall & Stewart

(57) **CLAIM**

The ornamental design for a clamping connector, as shown and described.

DESCRIPTION

FIG. 1 is a top and right side perspective view of a clamping connector showing my new design;

FIG. 2 is an exploded top and right side perspective view thereof wherein the end portion is removed for ease of illustration;

FIG. 3 is a right side elevation view thereof without the end portion of FIG. 2;

FIG. 4 is a cross-section taken along line 4—4 of FIG. 3;

FIG. 5 is a front elevation view thereof drawn at a reduced scale;

FIG. 6 is an exploded top plan view thereof drawn at a reduced scale and wherein the end portions are shown for ease of illustration;

FIG. 7 is a rear elevation view thereof drawn at a reduced scale; and,

FIG. 8 is a bottom plan view thereof drawn at a reduced scale.

1 Claim, 3 Drawing Sheets

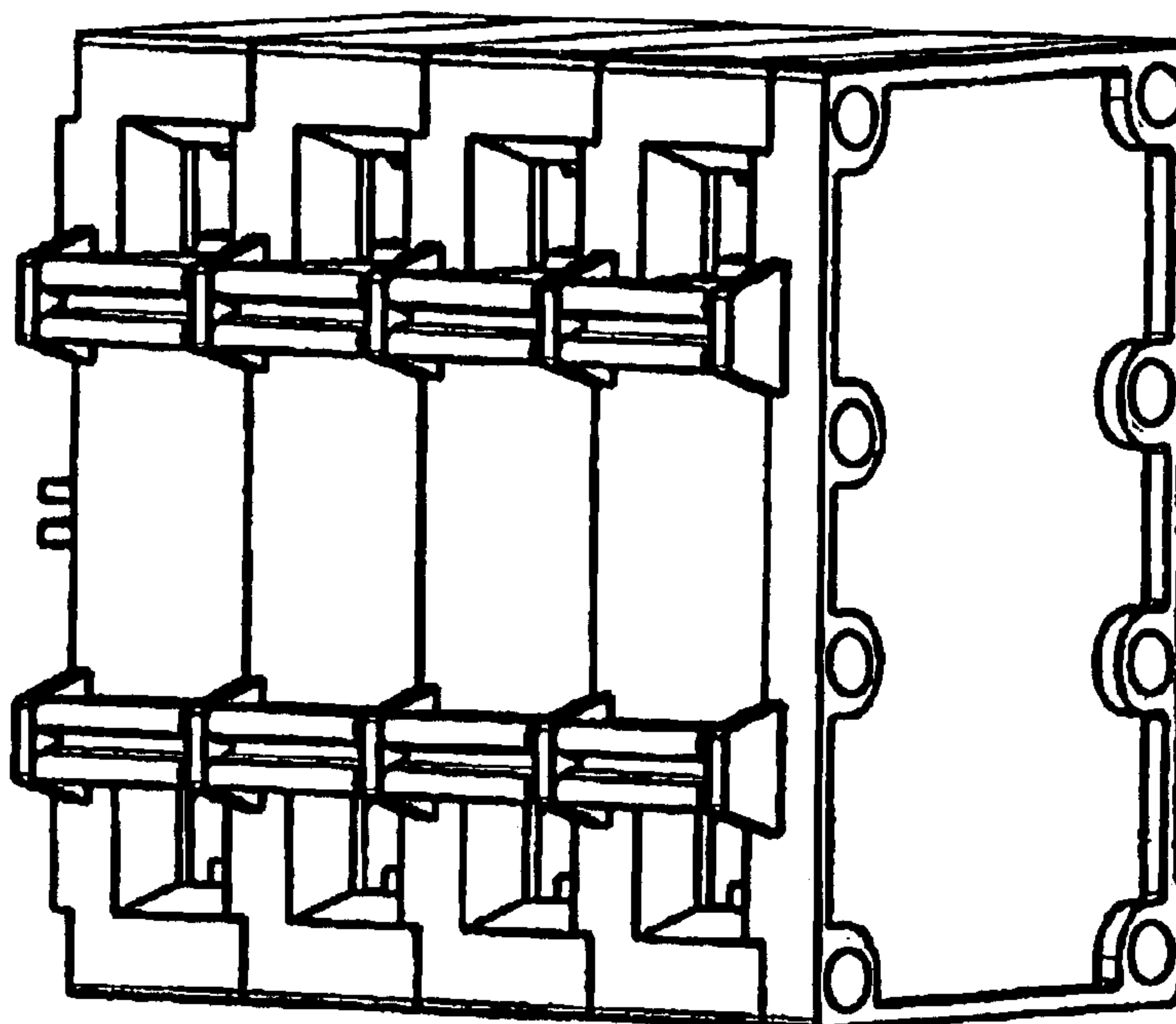


Fig. 1

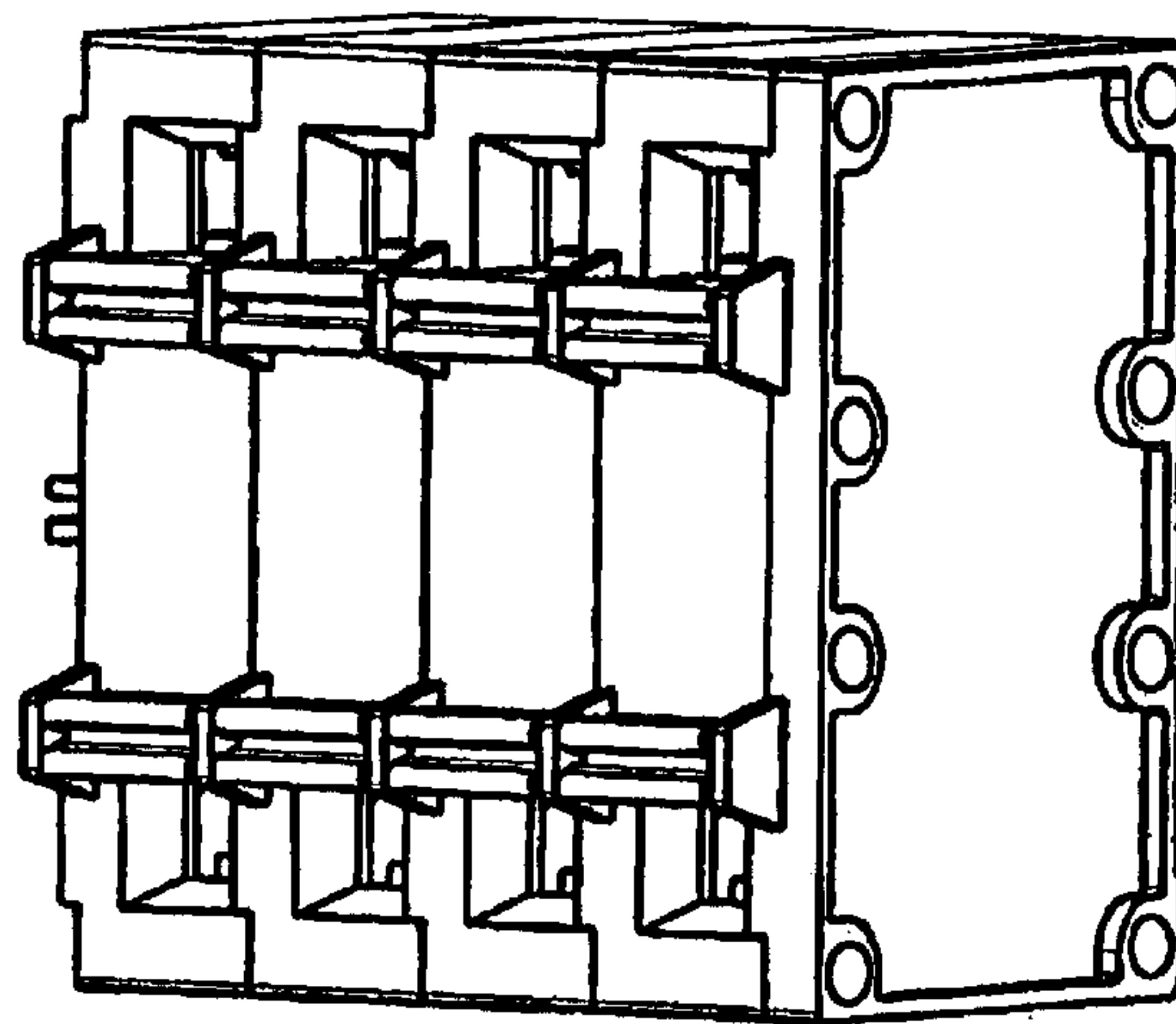


Fig. 2

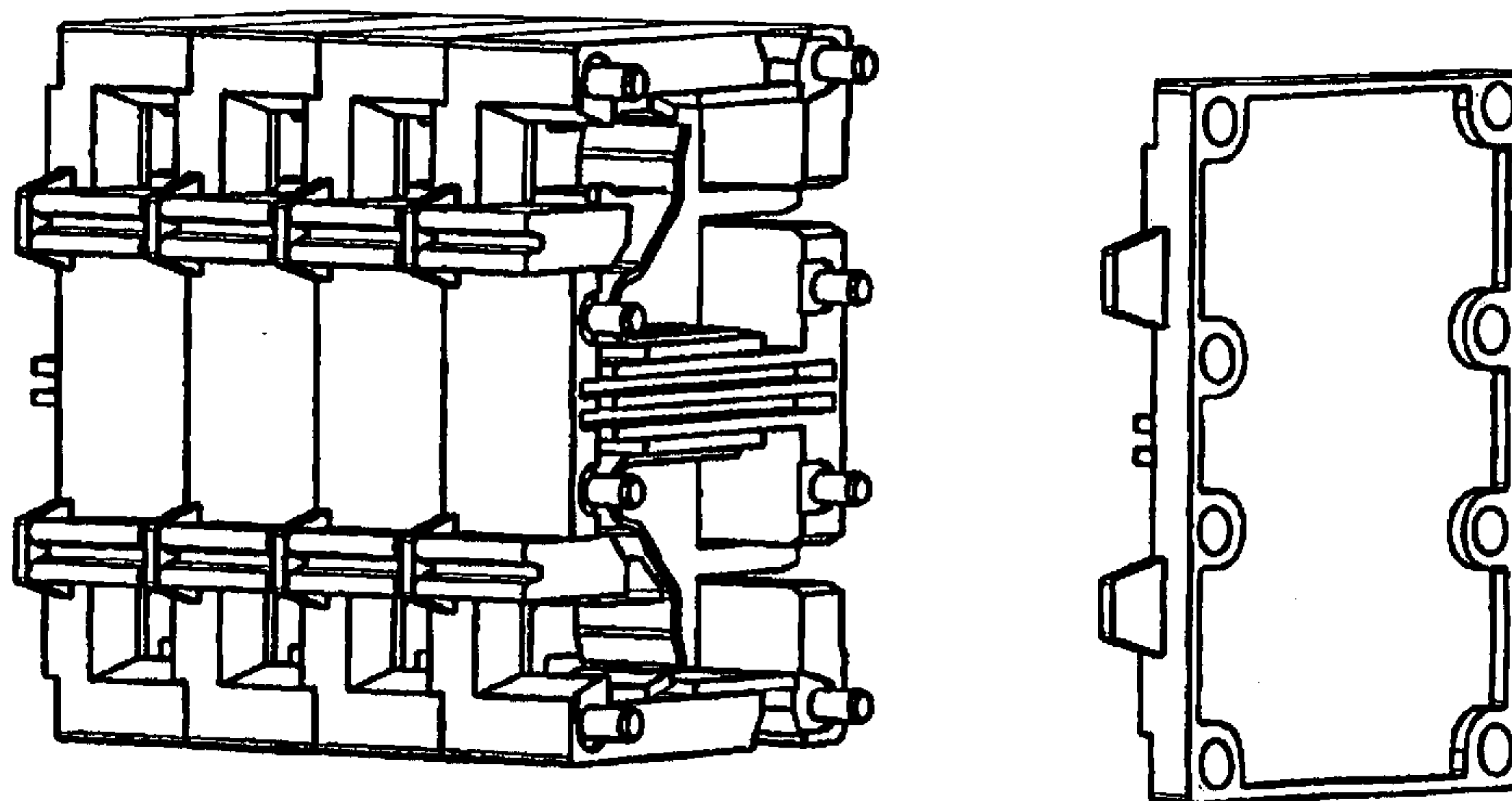


Fig. 4

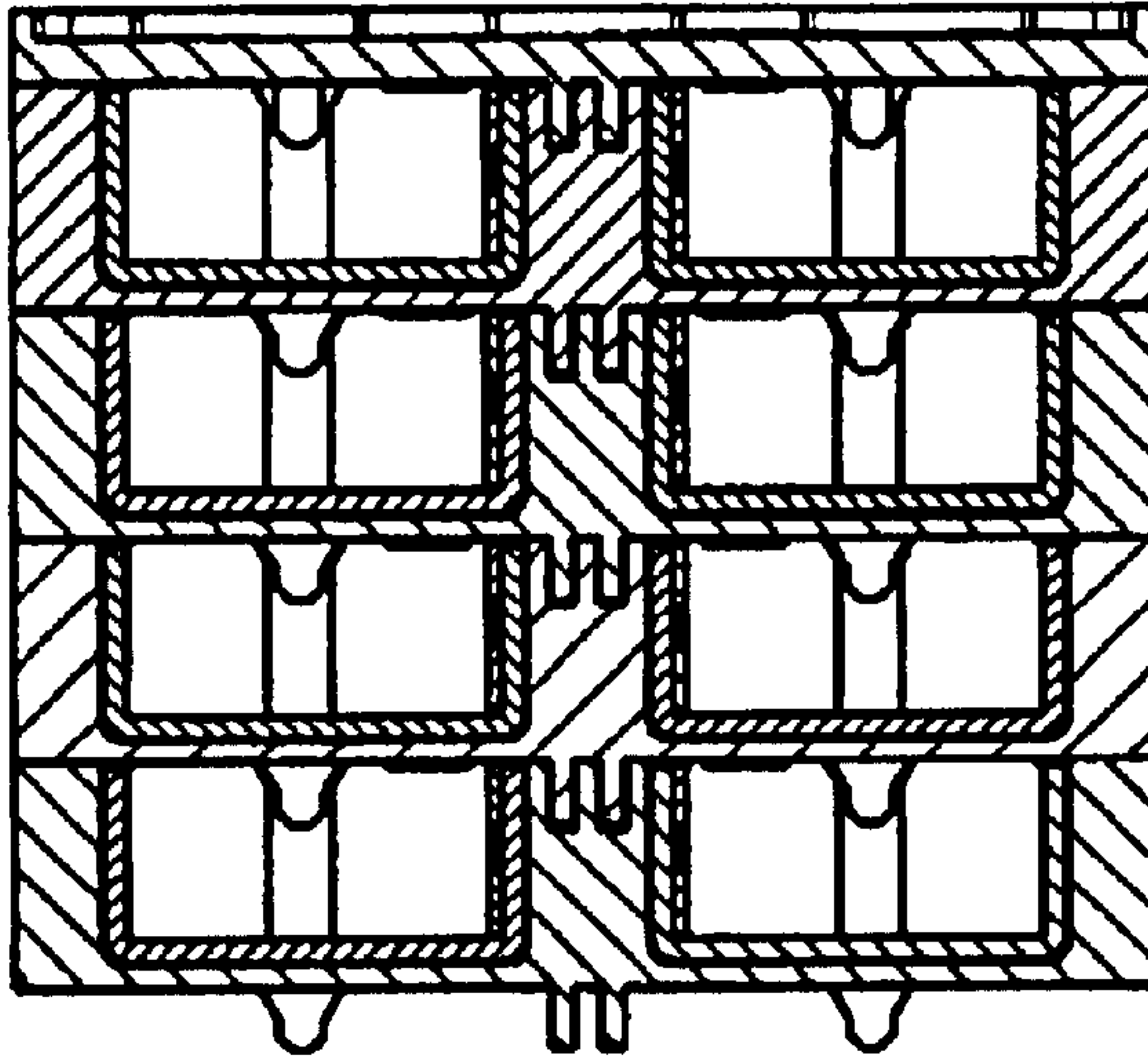
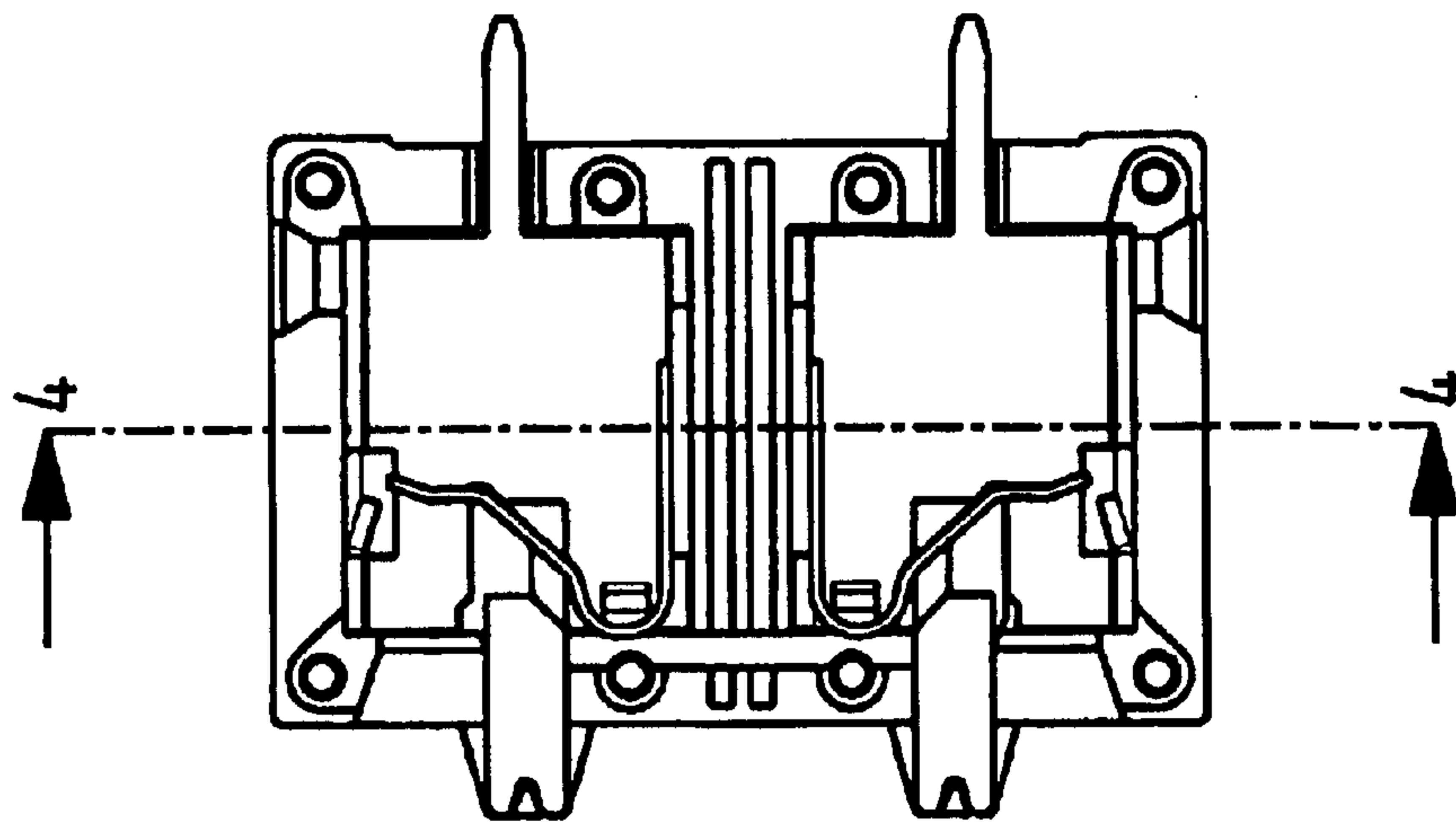


Fig. 3



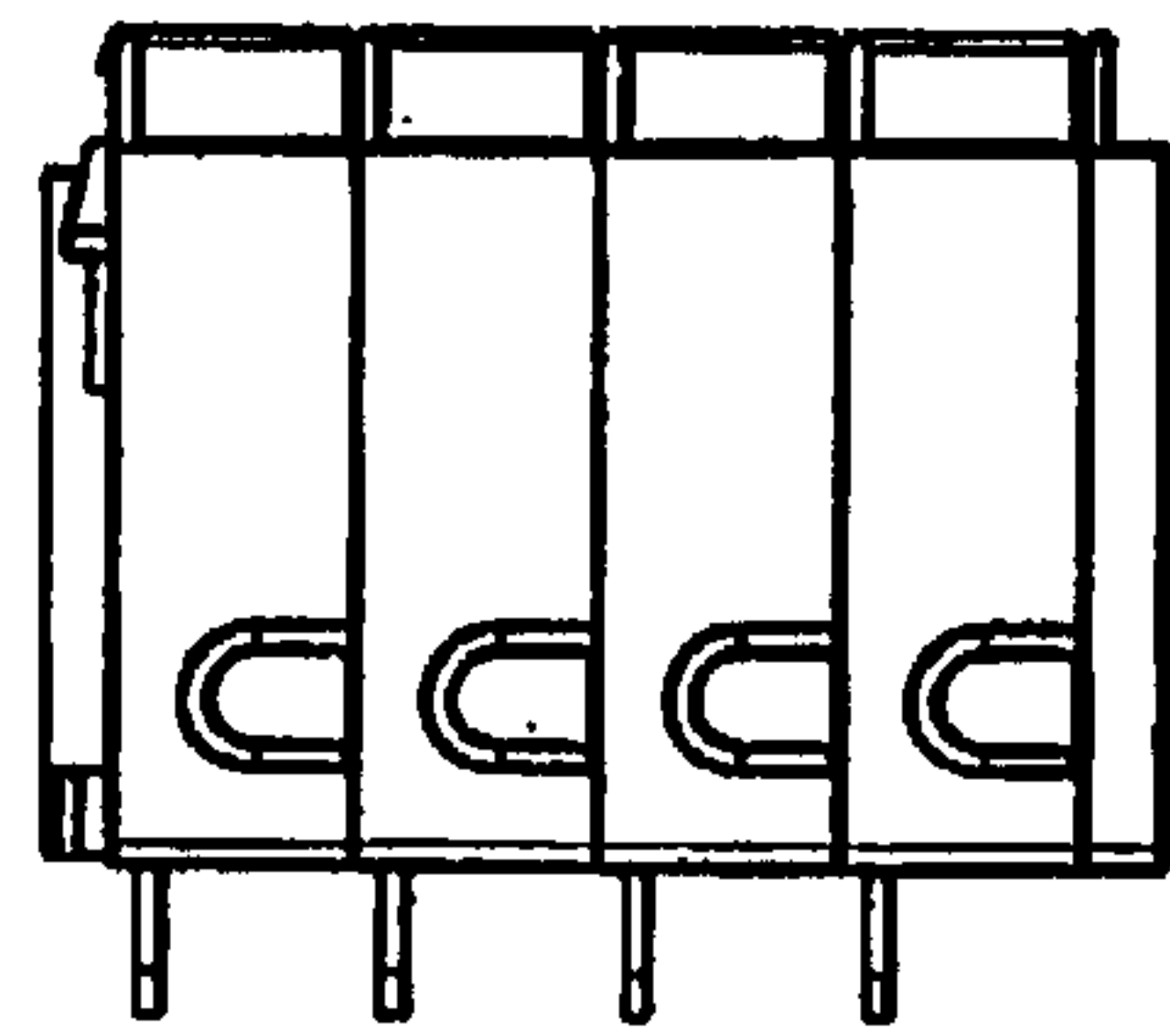


Fig. 5

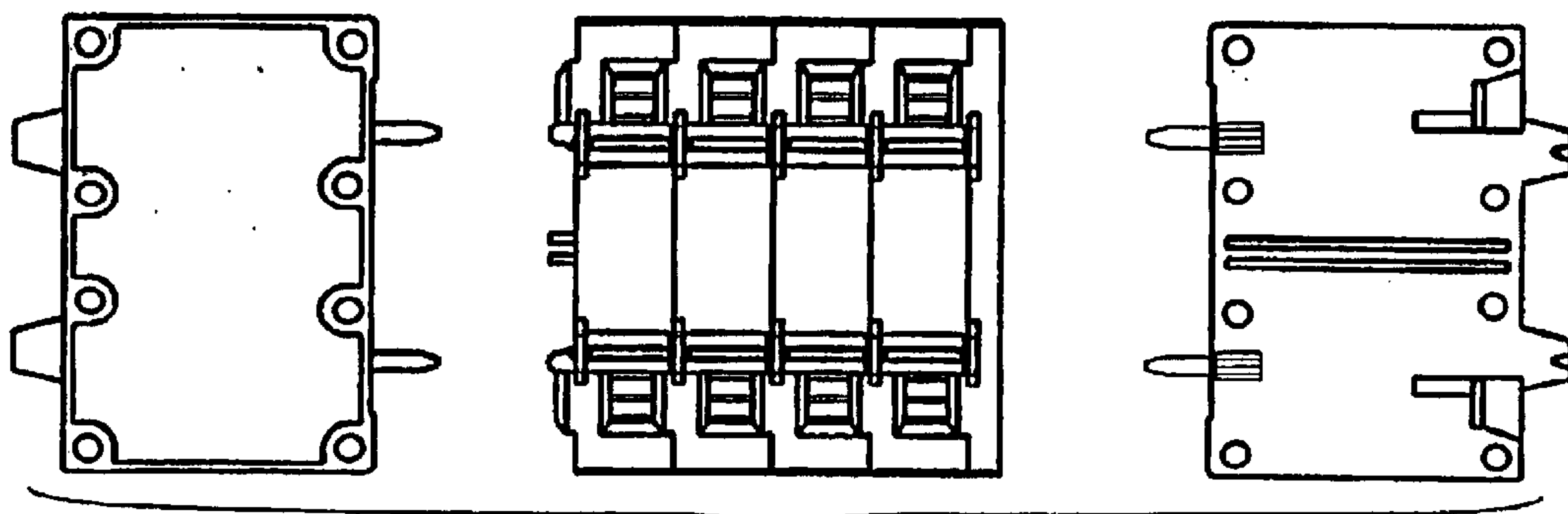


Fig. 6

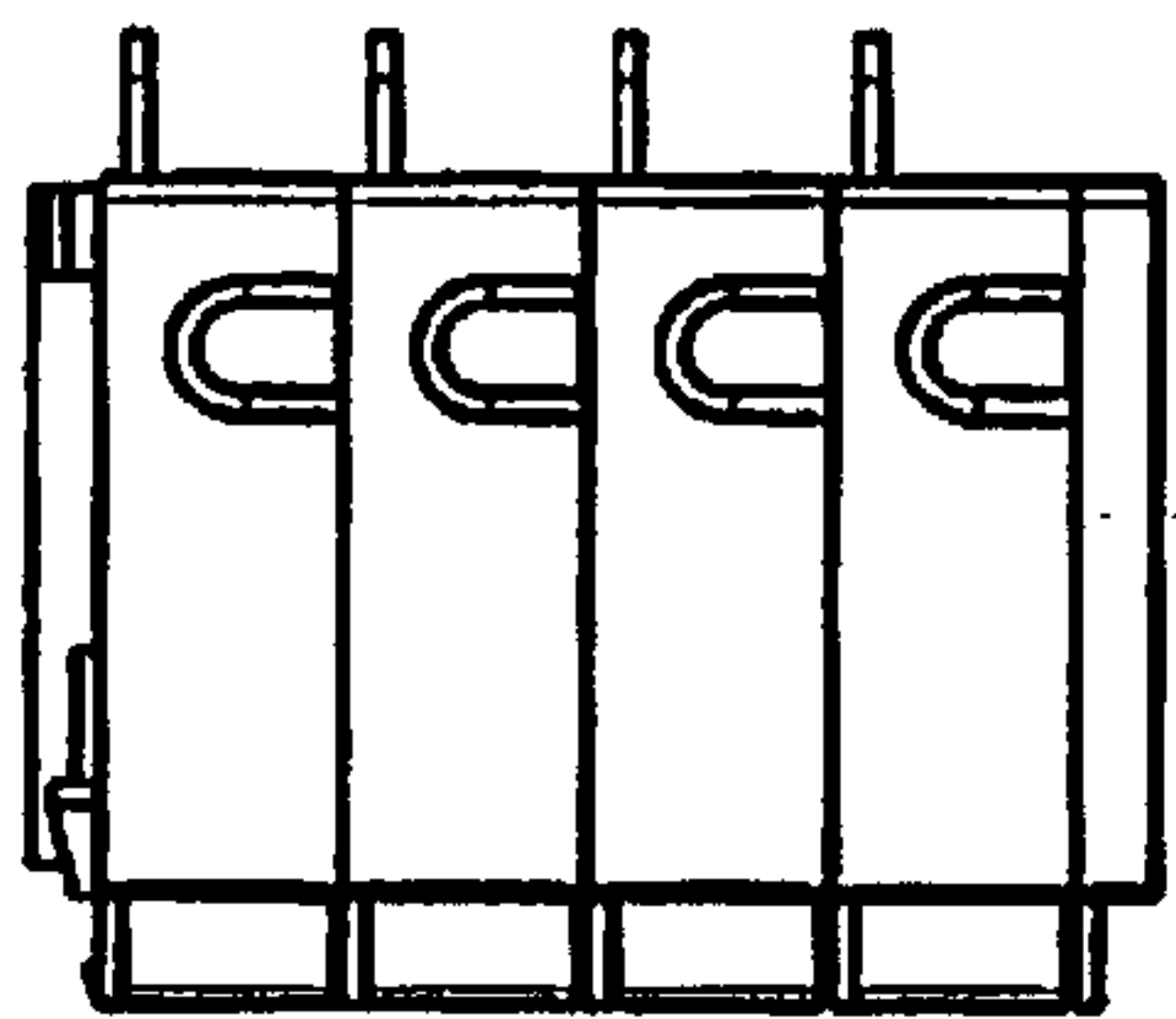


Fig. 7

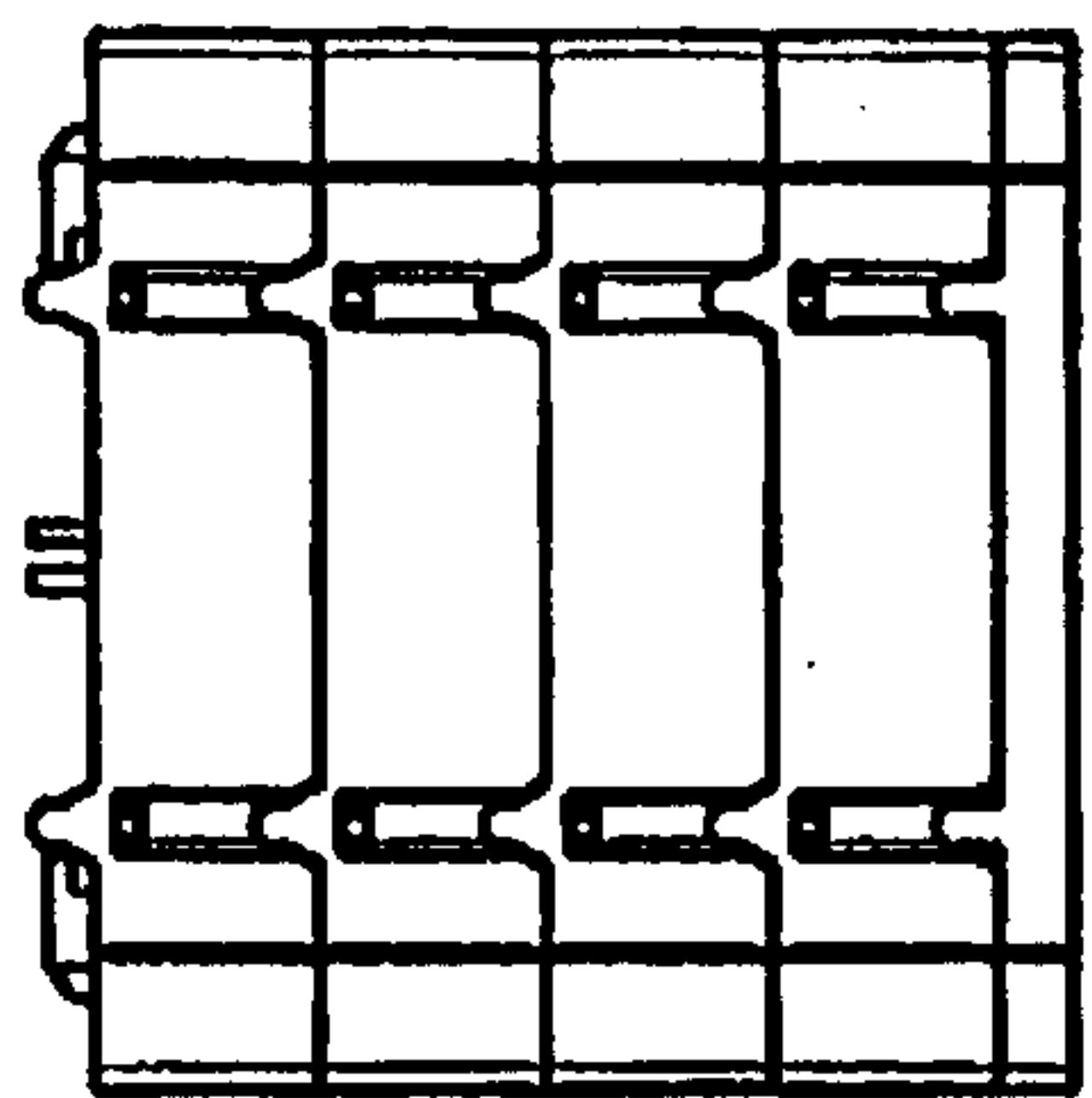


Fig. 8