

US00D499070S

(12) **United States Design Patent**
Lavington

(10) **Patent No.:** **US D499,070 S**

(45) **Date of Patent:** **** Nov. 30, 2004**

(54) **BREAK-AWAY BATTERY BOX**

D423,459 S * 4/2000 Takase et al. D13/152

(75) Inventor: **Robert H. Lavington**, Emporia, KS
(US)

* cited by examiner

Primary Examiner—Joel Sincavage

(73) Assignee: **Hopkins Manufacturing Corporation**,
Emporia, KS (US)

(74) *Attorney, Agent, or Firm*—Hovey Williams LLP

(**) Term: **14 Years**

(57) **CLAIM**

The ornamental design for a break-away battery box, as shown and described.

(21) Appl. No.: **29/177,683**

DESCRIPTION

(22) Filed: **Mar. 13, 2003**

(51) **LOC (7) Cl.** **13-03**

(52) **U.S. Cl.** **D13/119**

(58) **Field of Search** D13/119, 152,
D13/184; 180/68.5; 429/176; 220/832

FIG. 1 is an isometric view of the break-away battery box showing a new design;

FIG. 2 is a plan view of the break-away battery box;

FIG. 3 is a front elevational view of the break-away battery box;

FIG. 4 is a right side elevational view of the break-away battery box;

FIG. 5 is a rear elevational view of the break-away battery box;

FIG. 6 is a left side elevational view of the break-away battery box; and,

FIG. 7 is a bottom view of the break-away battery box.

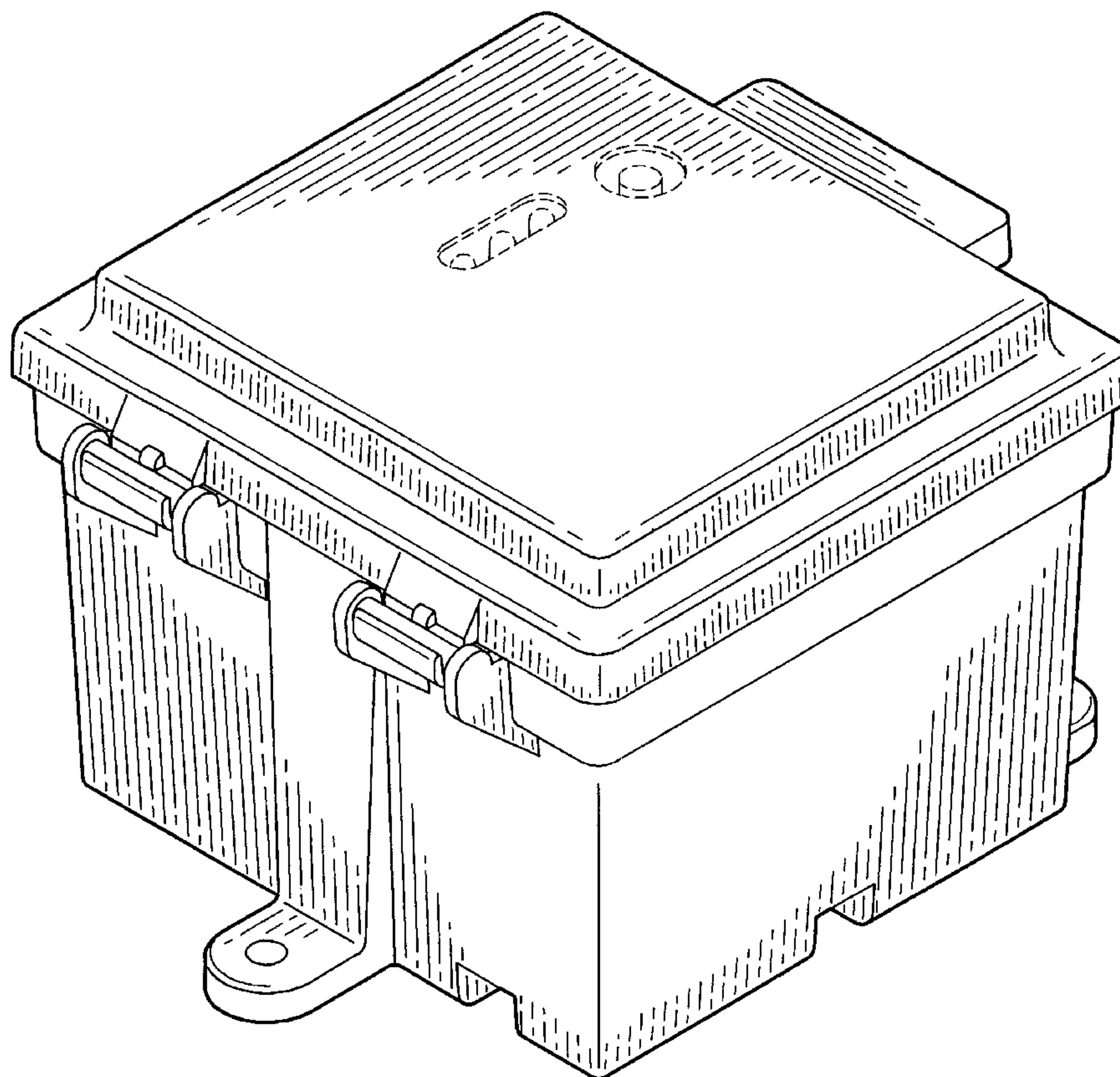
The broken lines in FIGS. 1 and 2 are included for the purpose of illustrating portions of the box that form no part of the claimed design.

(56) **References Cited**

U.S. PATENT DOCUMENTS

3,741,815	A	*	6/1973	Peterson	429/176
D252,354	S	*	7/1979	Uyeda	D3/302
4,729,059	A	*	3/1988	Wang	361/657
D298,029	S	*	10/1988	Foster	D13/119
4,827,504	A	*	5/1989	Collins et al.	379/399
D321,680	S	*	11/1991	Blount et al.	D13/184 X
5,529,205	A	*	6/1996	Corney et al.	220/342
5,901,220	A	*	5/1999	Garver et al.	379/399

1 Claim, 4 Drawing Sheets



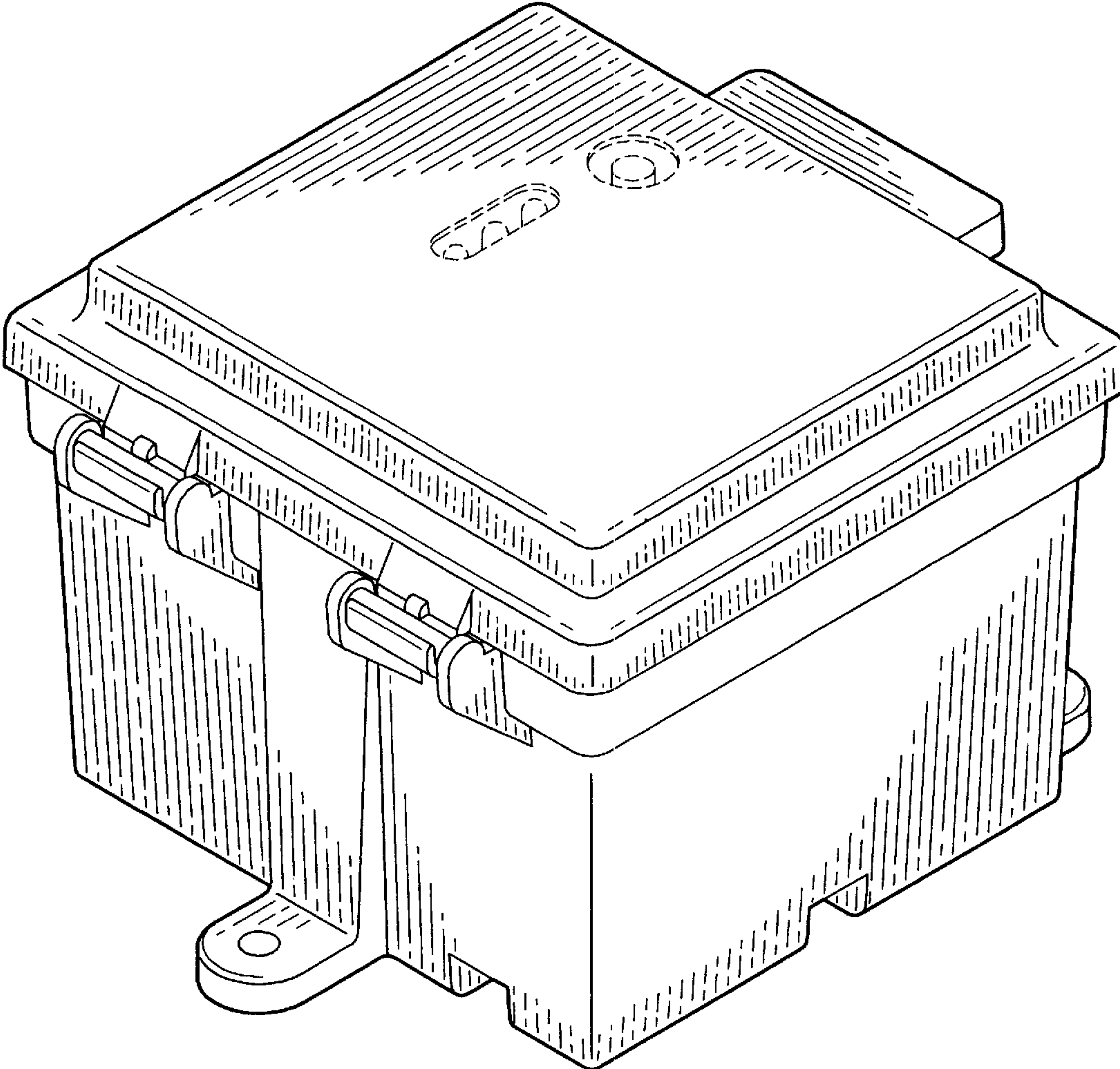


FIG. 1

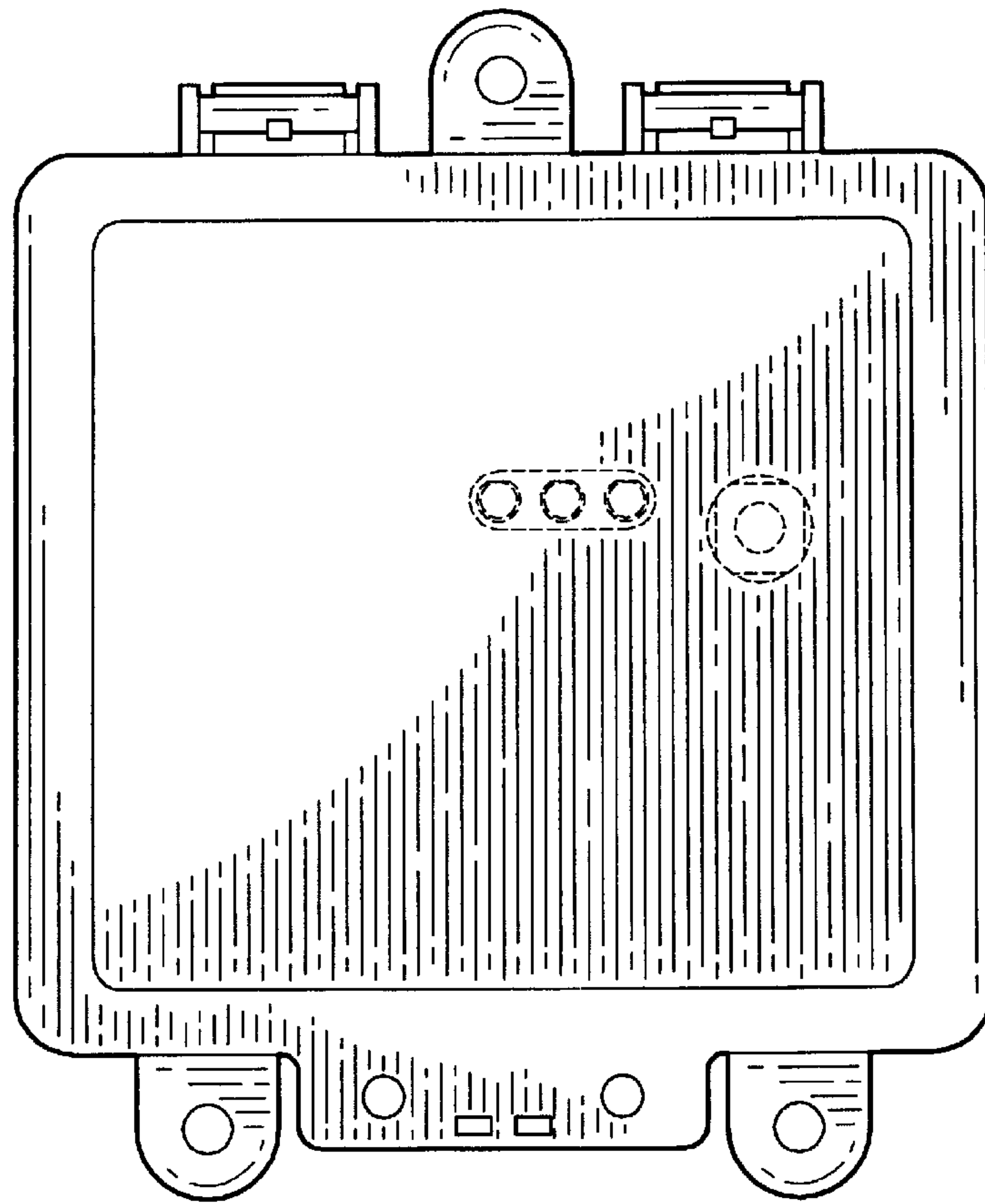


FIG. 2

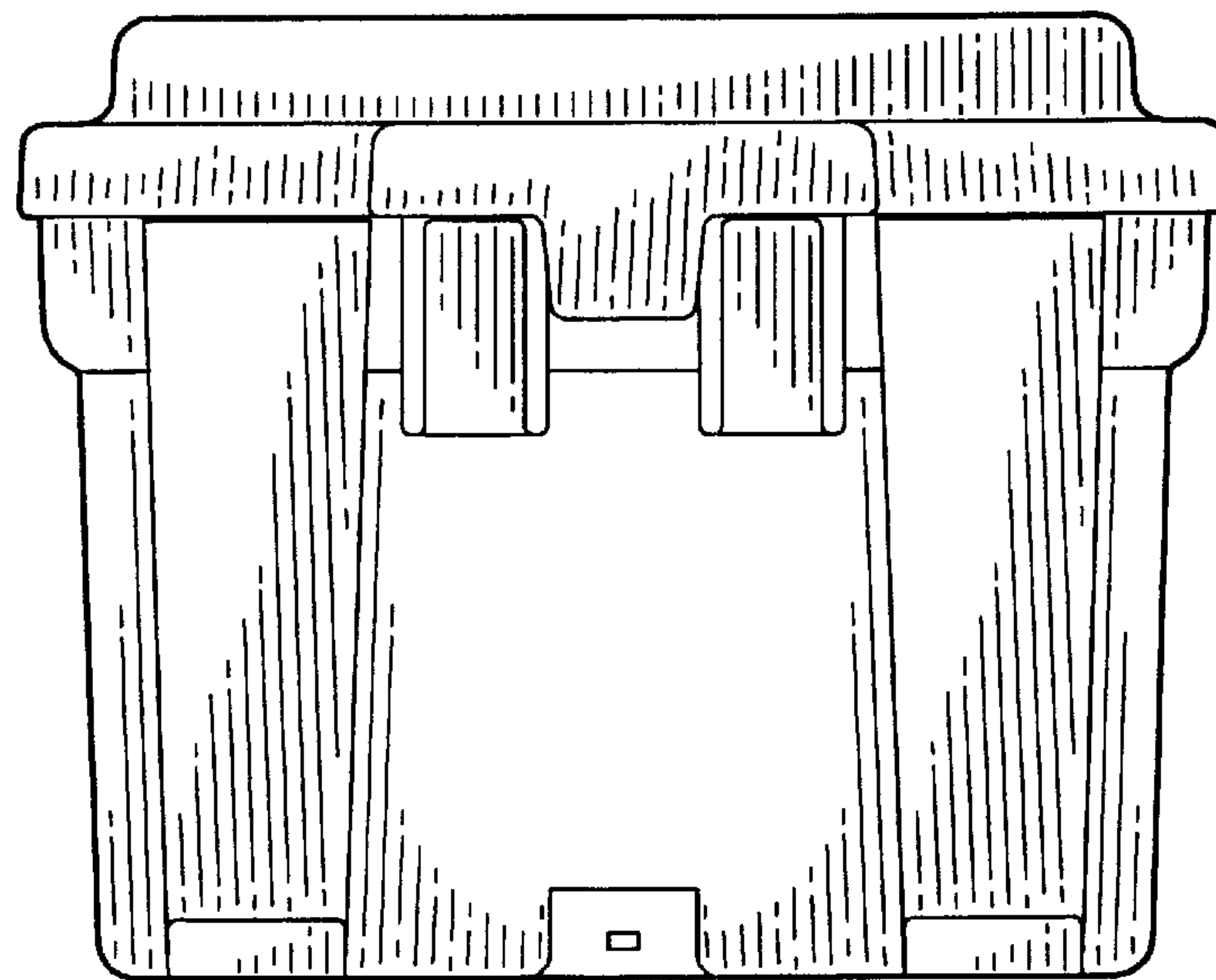


FIG. 3

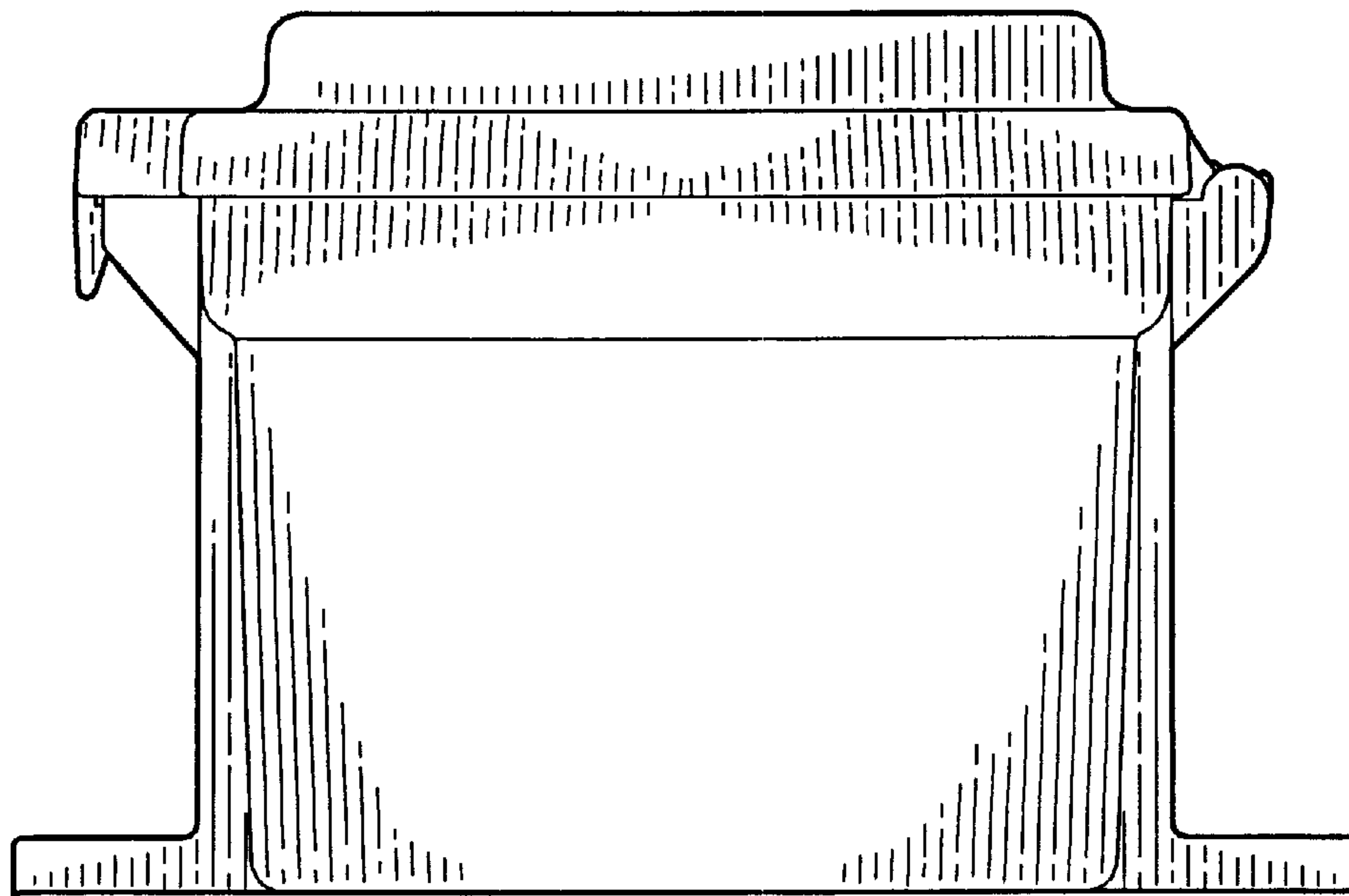


FIG. 4

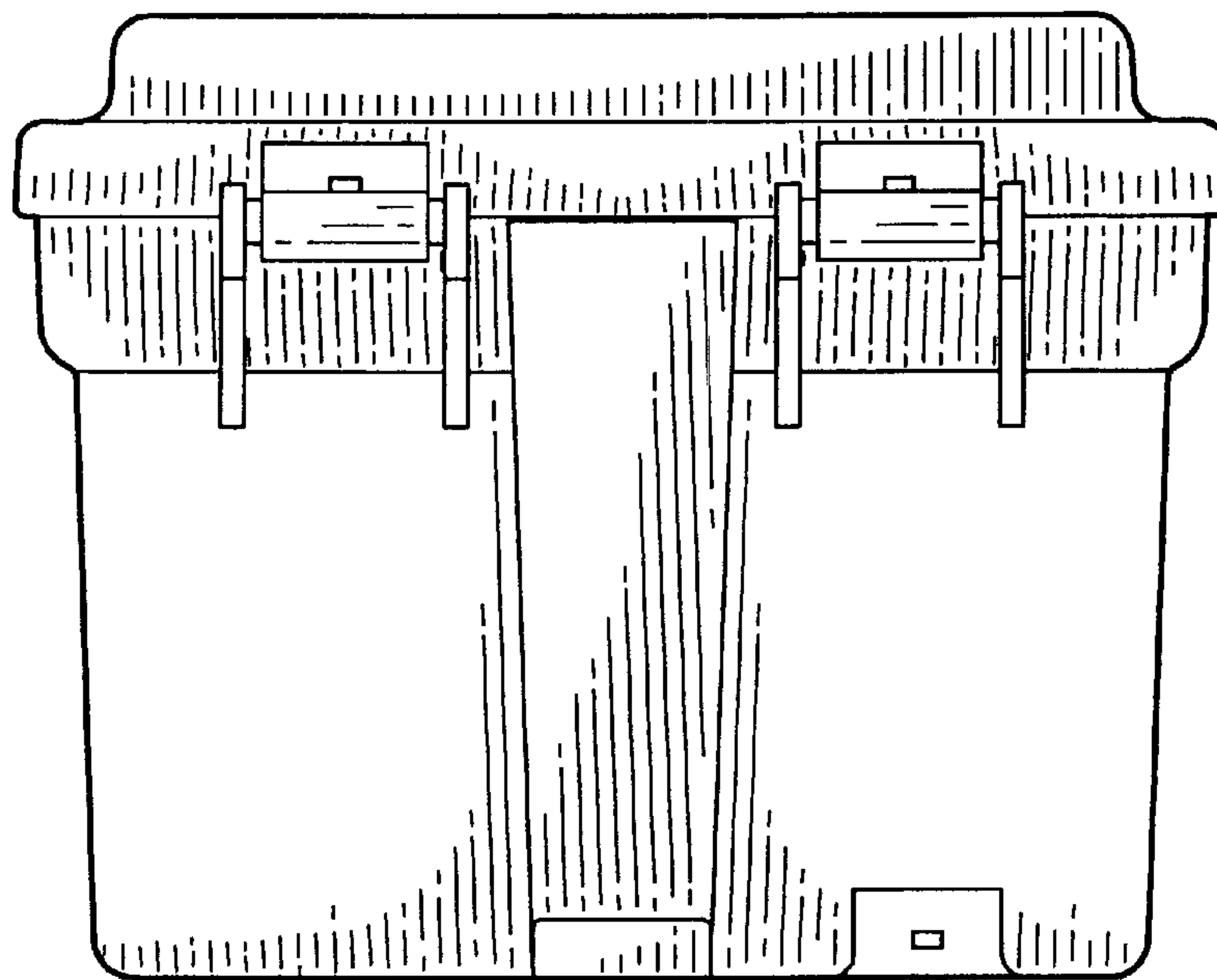


FIG. 5

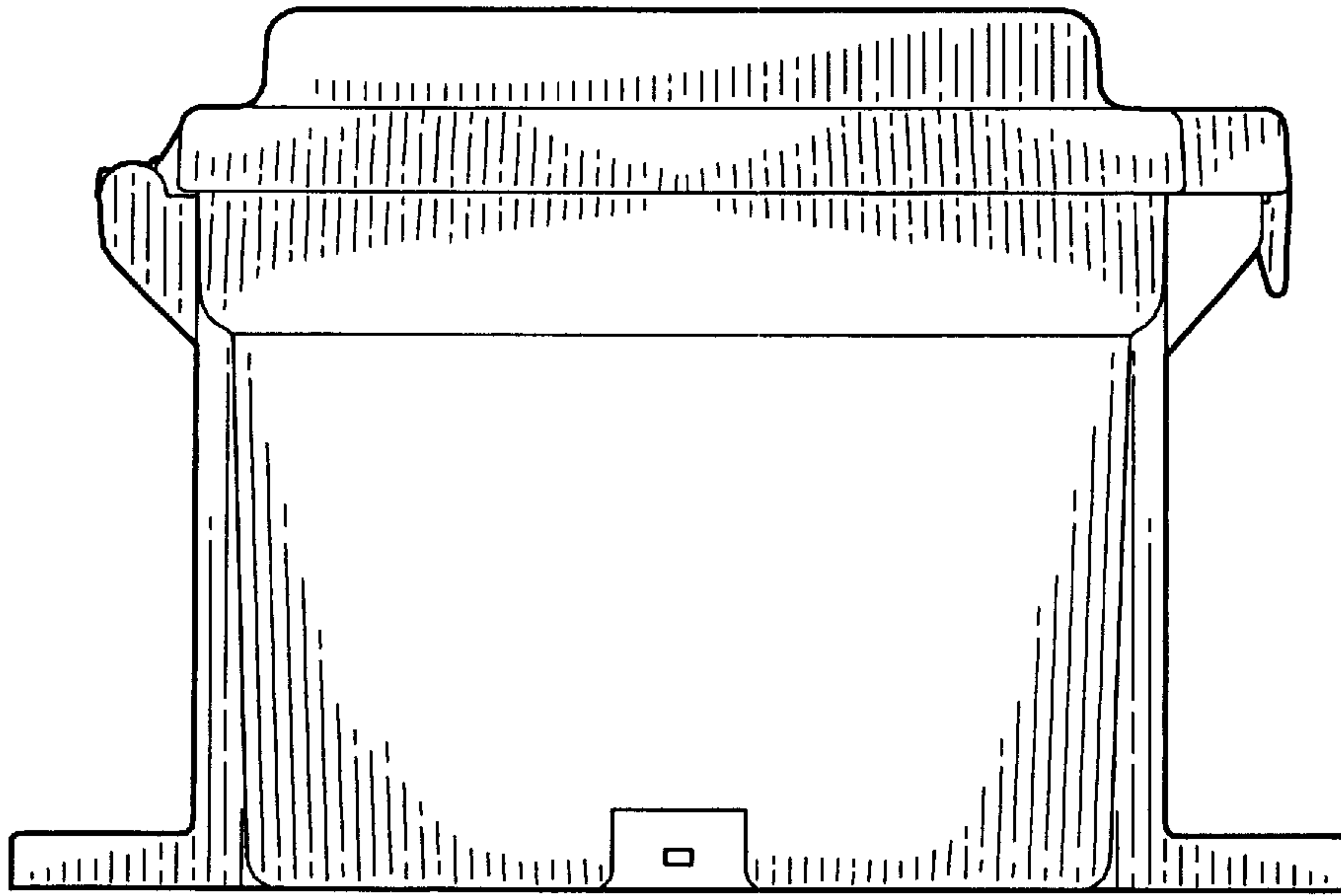


FIG. 6

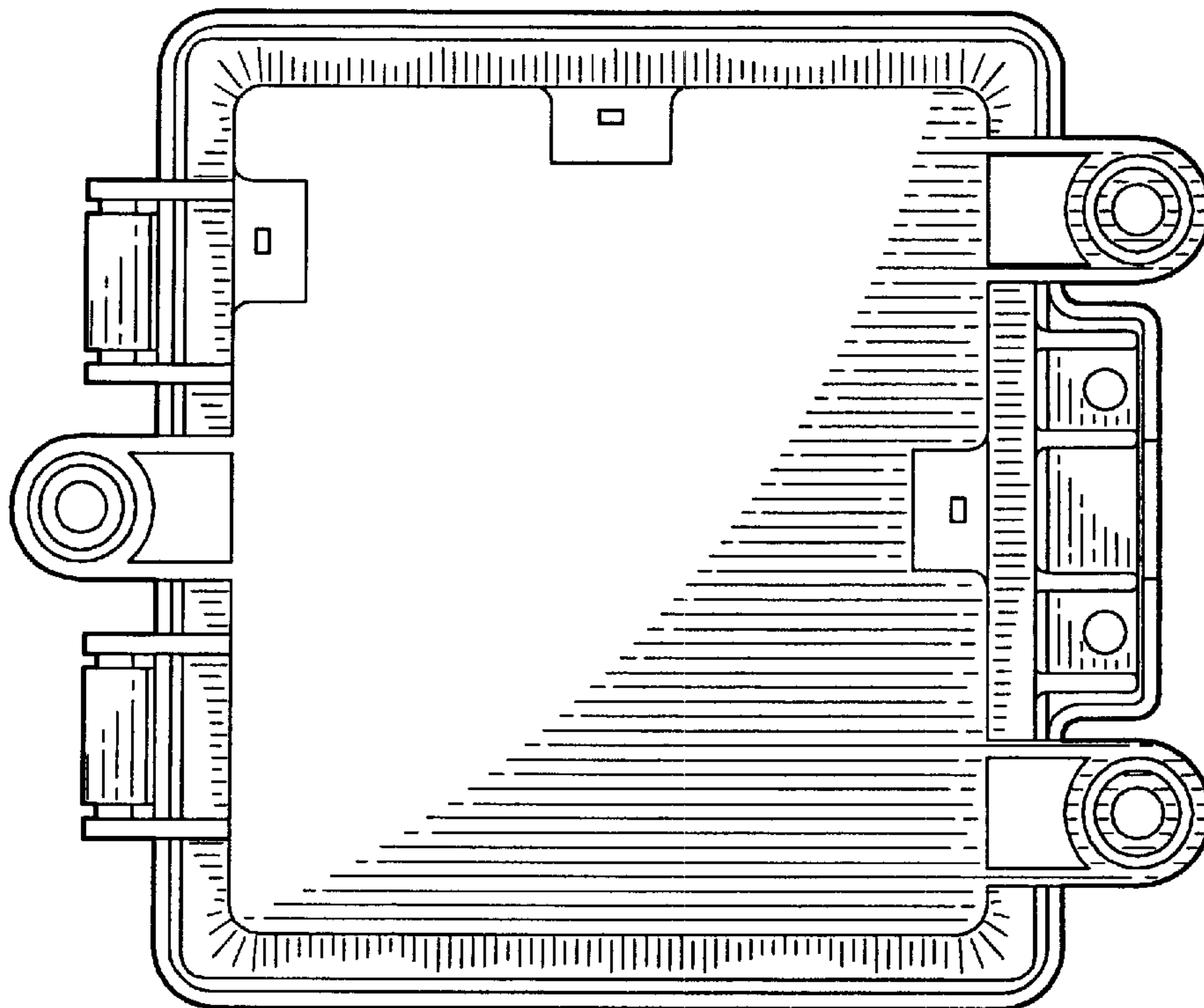


FIG. 7