

US00D499069S

(12) **United States Design Patent**  
**Stanush et al.**

(10) **Patent No.: US D499,069 S**

(45) **Date of Patent: \*\* \*Nov. 30, 2004**

(54) **NETWORK INTERFACE DEVICE**

(75) **Inventors: Andrew G. Stanush, Blue Mound, TX (US); Jason B. Reagan, The Colony, TX (US)**

(73) **Assignee: Corning Cable Systems LLC, Hickory, NC (US)**

(\*) **Notice:** This patent is subject to a terminal disclaimer.

(\*\*) **Term: 14 Years**

(21) **Appl. No.: 29/137,563**

(22) **Filed: Feb. 21, 2001**

(51) **LOC (7) Cl. .... 13-99**

(52) **U.S. Cl. .... D13/99; D14/240**

(58) **Field of Search .... D14/240, 7, 257, D14/140.6; D13/184, 199, 169; 174/48, 50; 379/399, 440; D16/323**

(56) **References Cited**

**U.S. PATENT DOCUMENTS**

286,939 A	*	10/1883	Martin	.....	174/50
D195,338 S	*	6/1963	Gesten	.....	D13/169
D287,583 S	*	1/1987	Smith et al.	.....	D14/240
D297,136 S	*	8/1988	Collins et al.	.....	D14/240

D304,339 S	*	10/1989	Collins et al.	.....	D14/140.6
D312,460 S	*	11/1990	Smith	.....	D14/240
D377,339 S	*	1/1997	Berusha et al.	.....	D13/184
D399,190 S	*	10/1998	Dale et al.	.....	D13/184
D415,118 S	*	10/1999	Stanush et al.	.....	D13/184
D421,598 S	*	3/2000	Berusha et al.	.....	D13/184
D449,824 S	*	10/2001	Higa et al.	.....	D13/184
2003/0079894 A1	*	5/2003	Weise et al.	.....	174/50

\* cited by examiner

*Primary Examiner*—Charles A. Rademaker

(74) *Attorney, Agent, or Firm*—Christopher C. Dremann

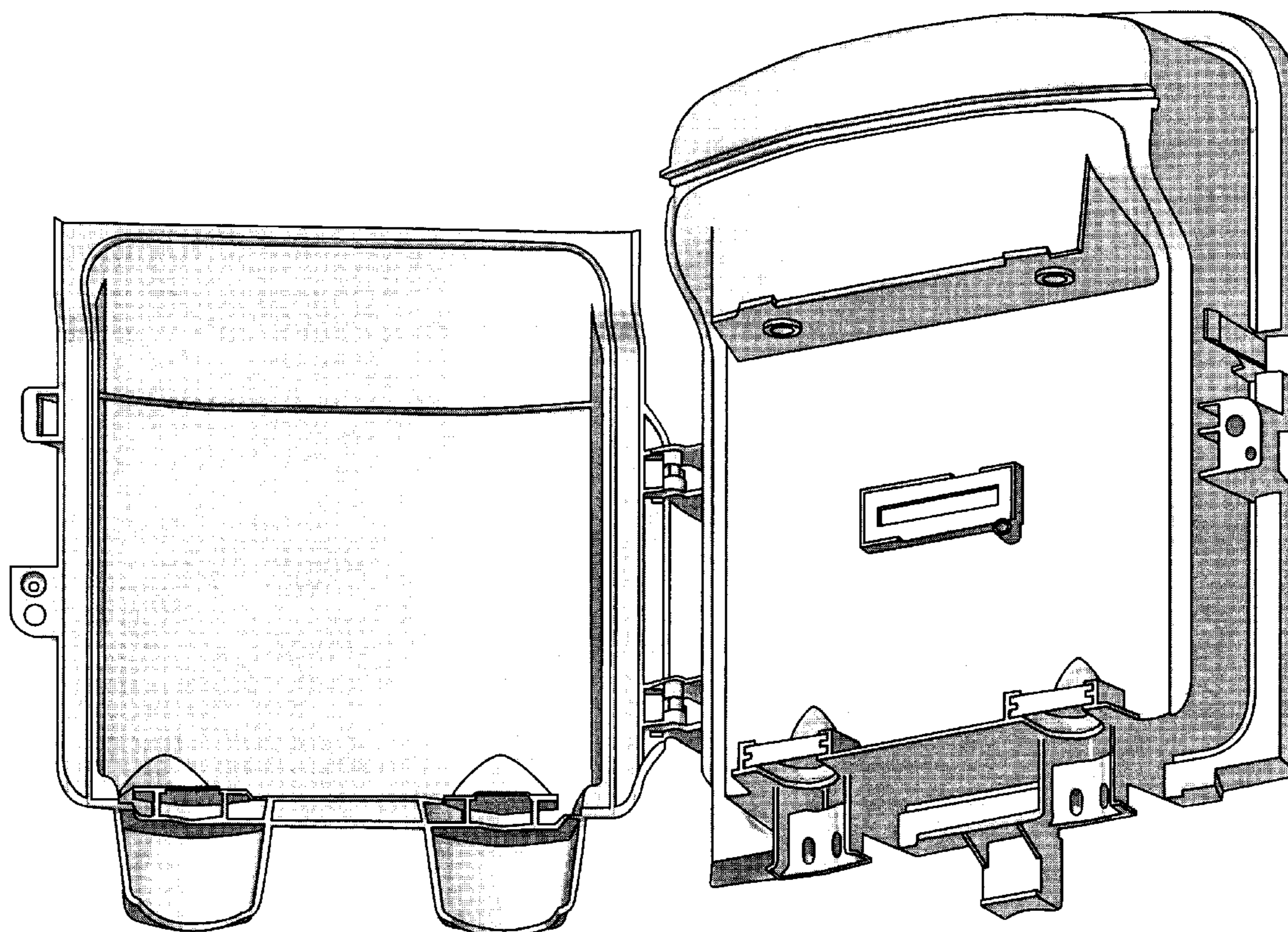
(57) **CLAIM**

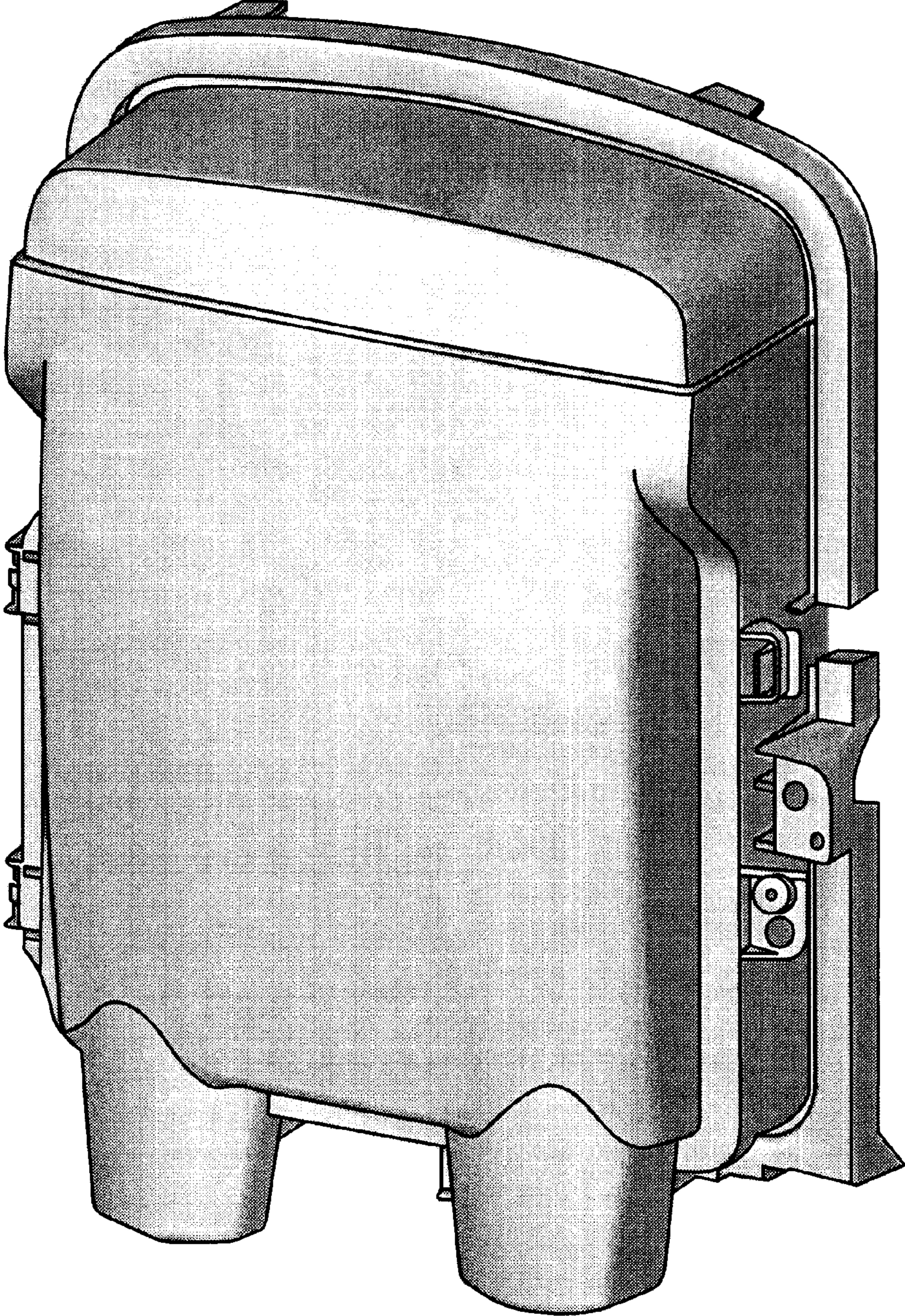
The ornamental design for a network interface device, as shown and described.

**DESCRIPTION**

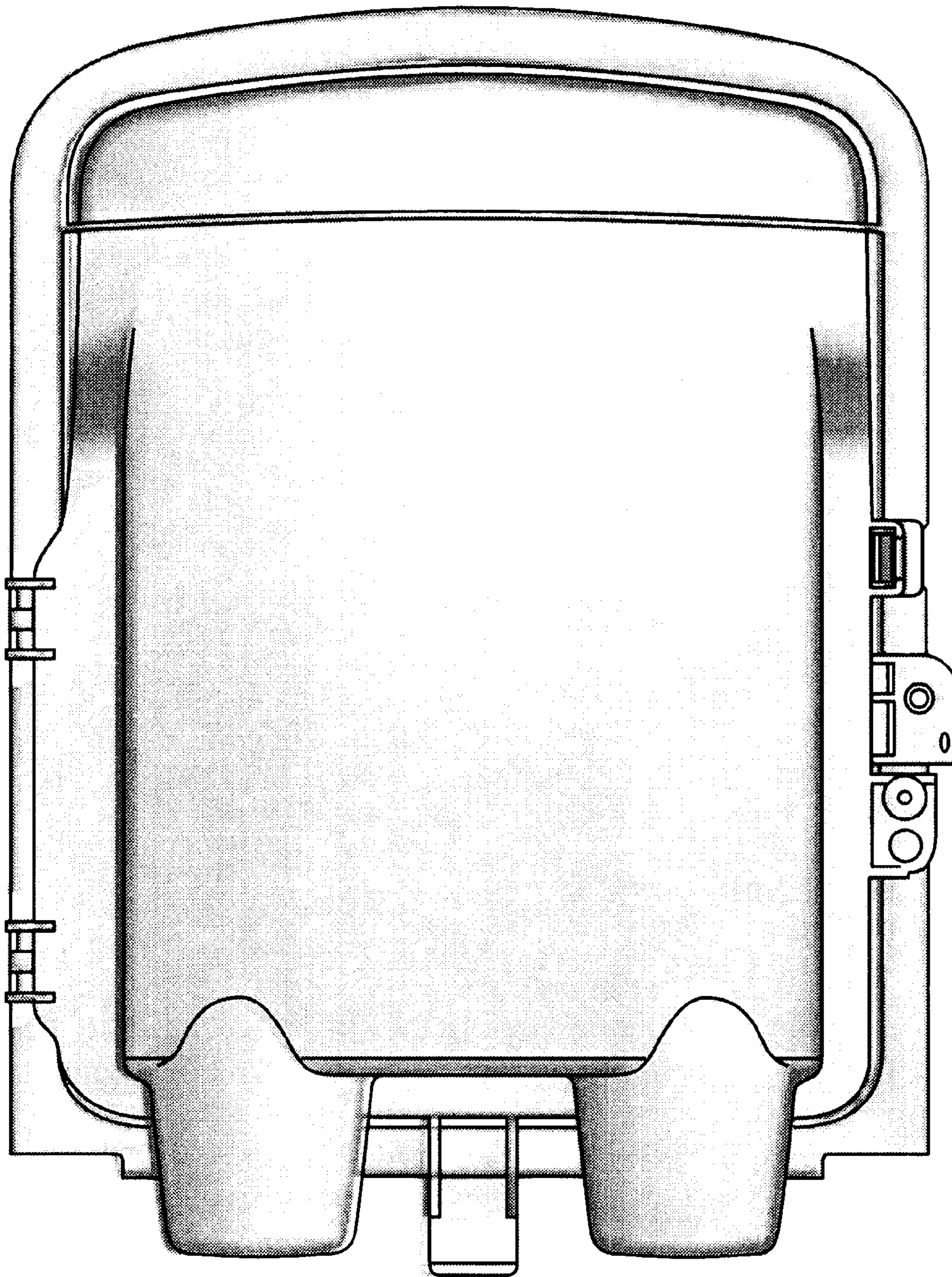
FIG. 1 is a front perspective view of a network interface device according to our new design; FIG. 2 is a front elevation view thereof; FIG. 3 is a rear elevation view thereof; FIG. 4 is a right side elevation view thereof; FIG. 5 is a left side elevation view thereof; FIG. 6 is a top plan view thereof; FIG. 7 is a bottom plan view thereof; and, FIG. 8 is a front perspective view thereof with the cover in an open position.

**1 Claim, 7 Drawing Sheets**

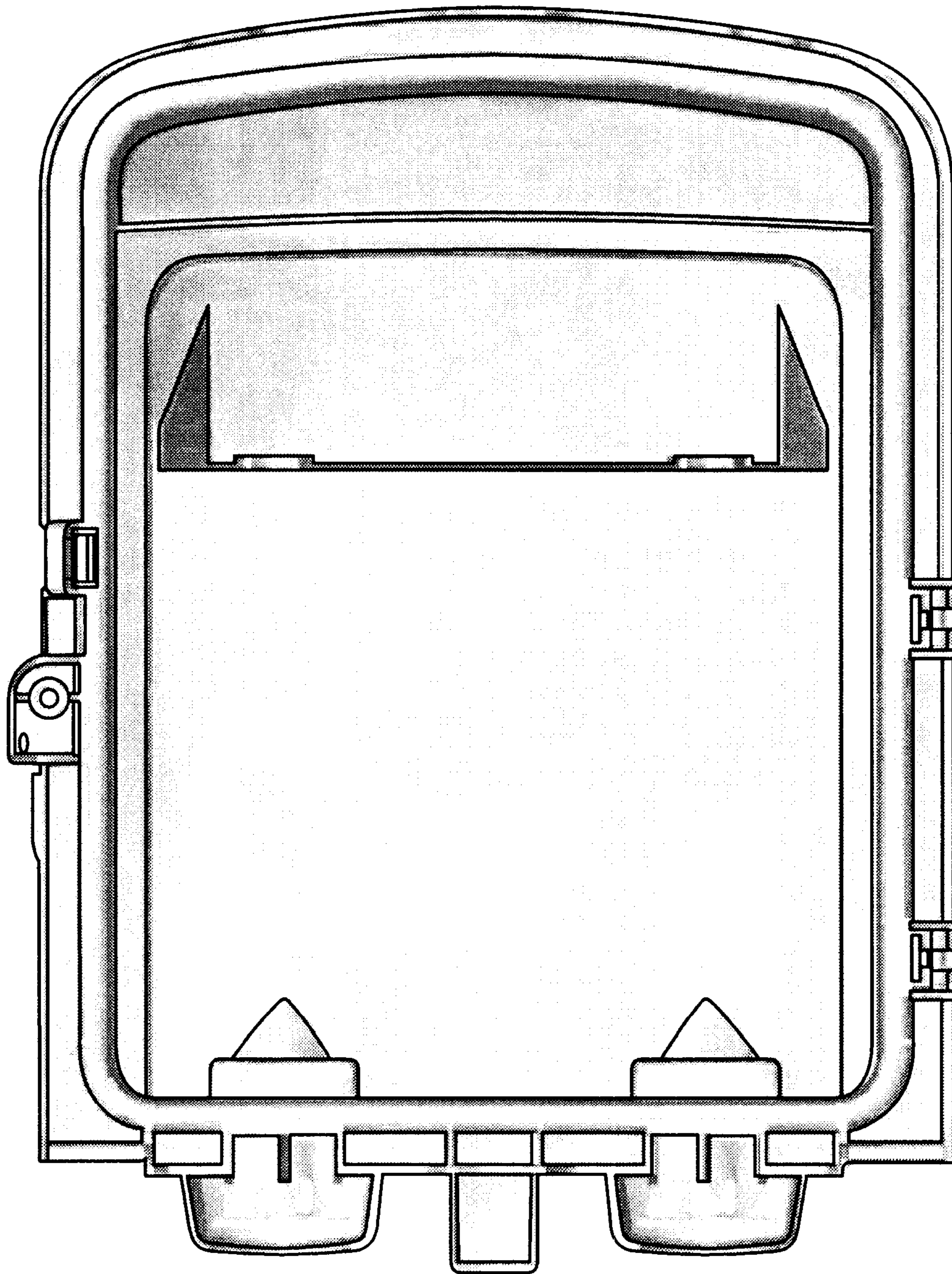




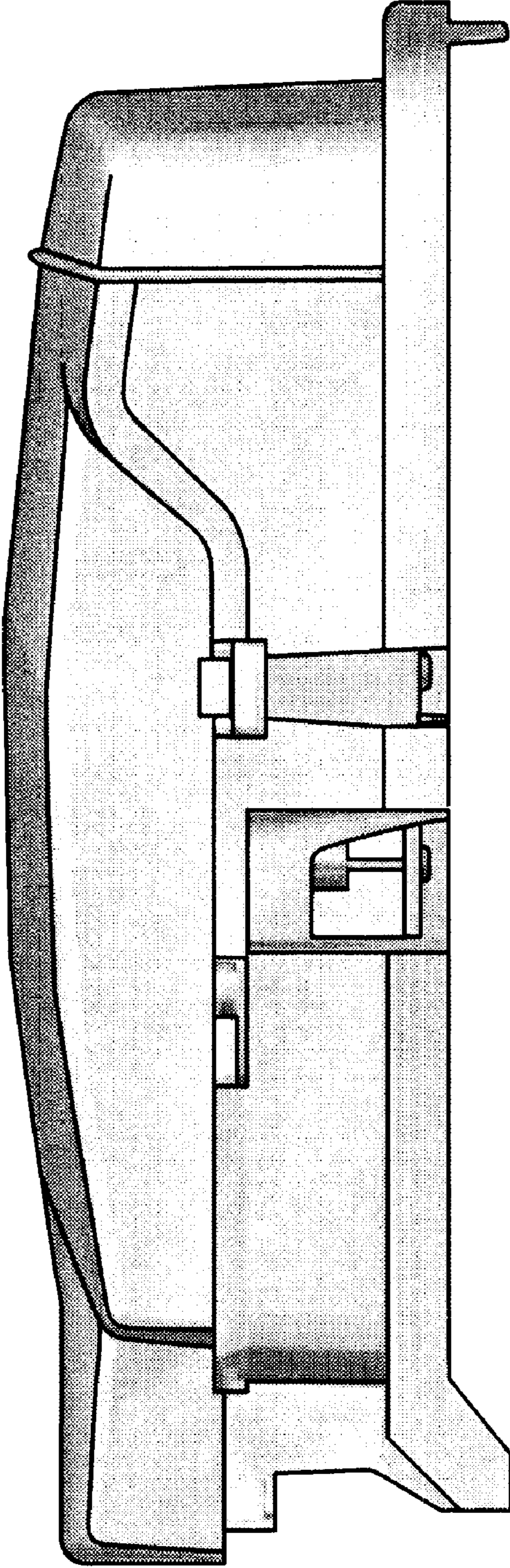
*Fig. 1*



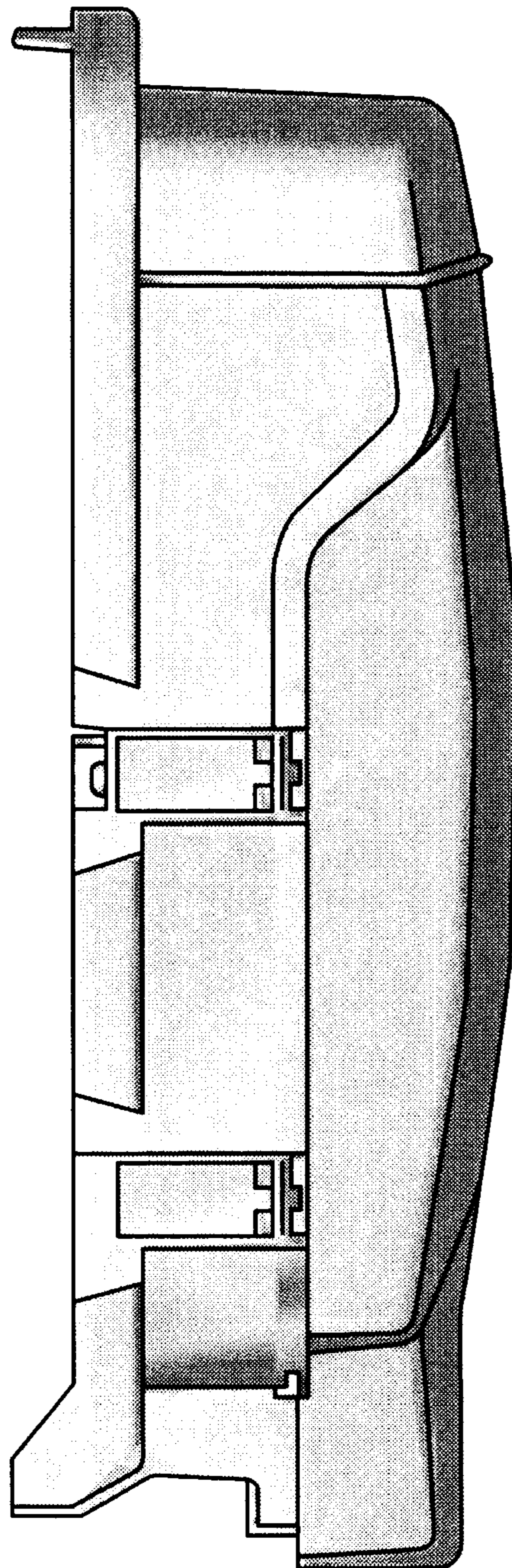
*Fig. 2*



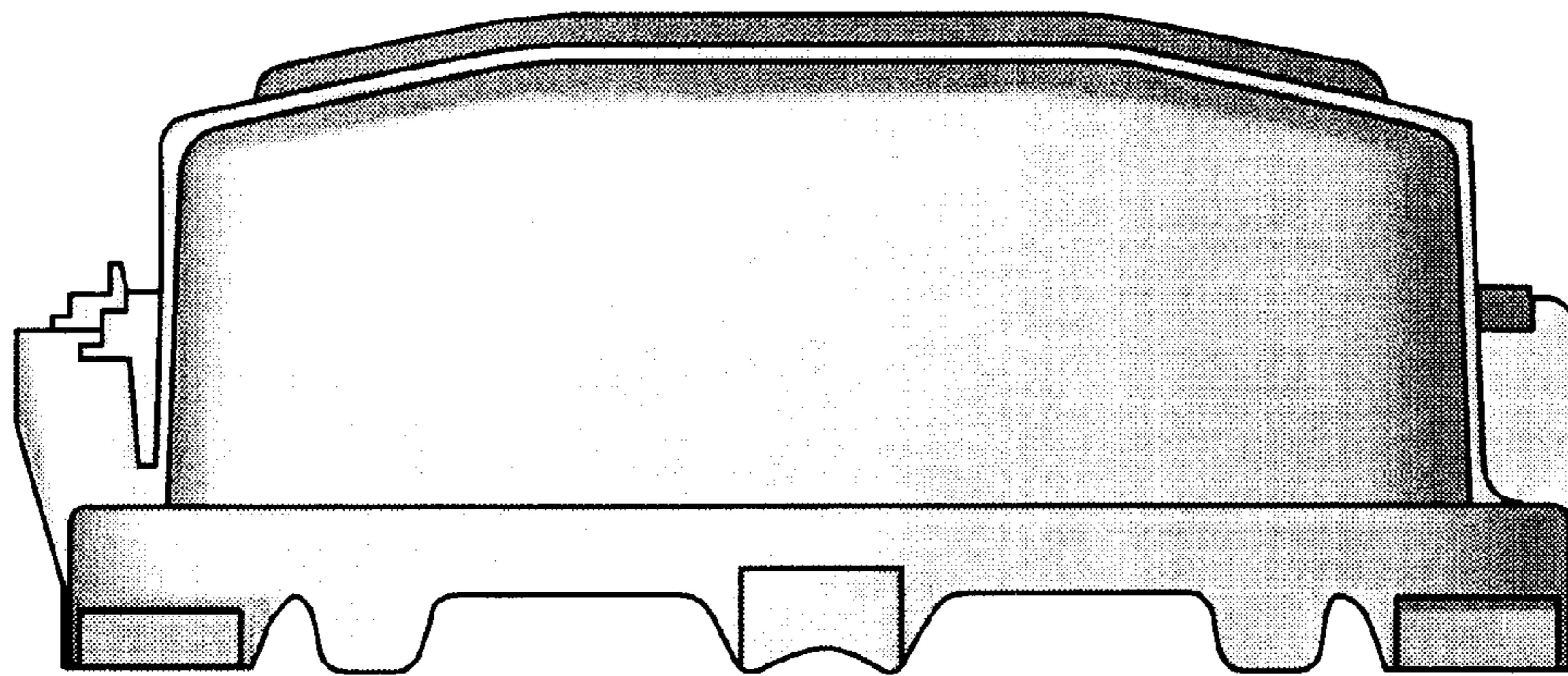
*Fig. 3*



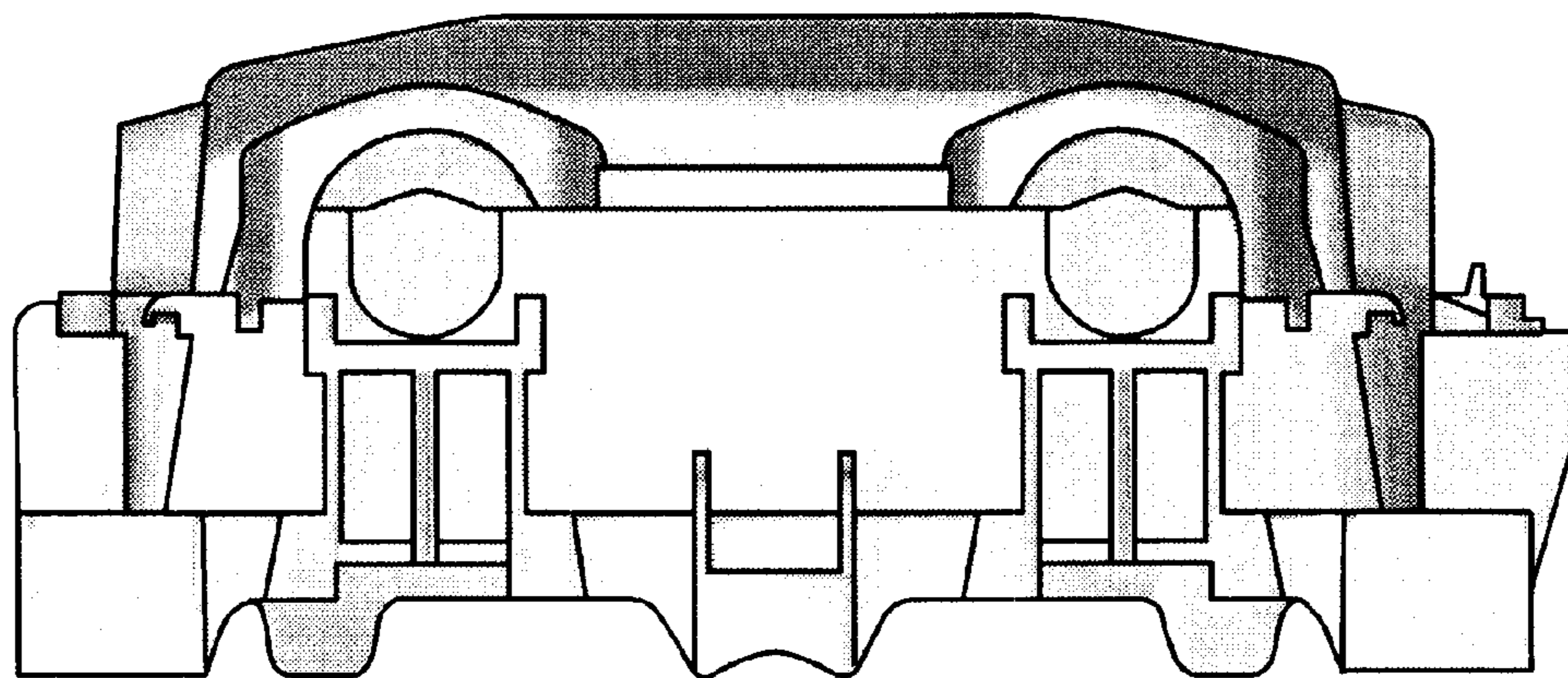
*Fig. 4*



*Fig. 5*



*Fig. 6*



*Fig. 7*

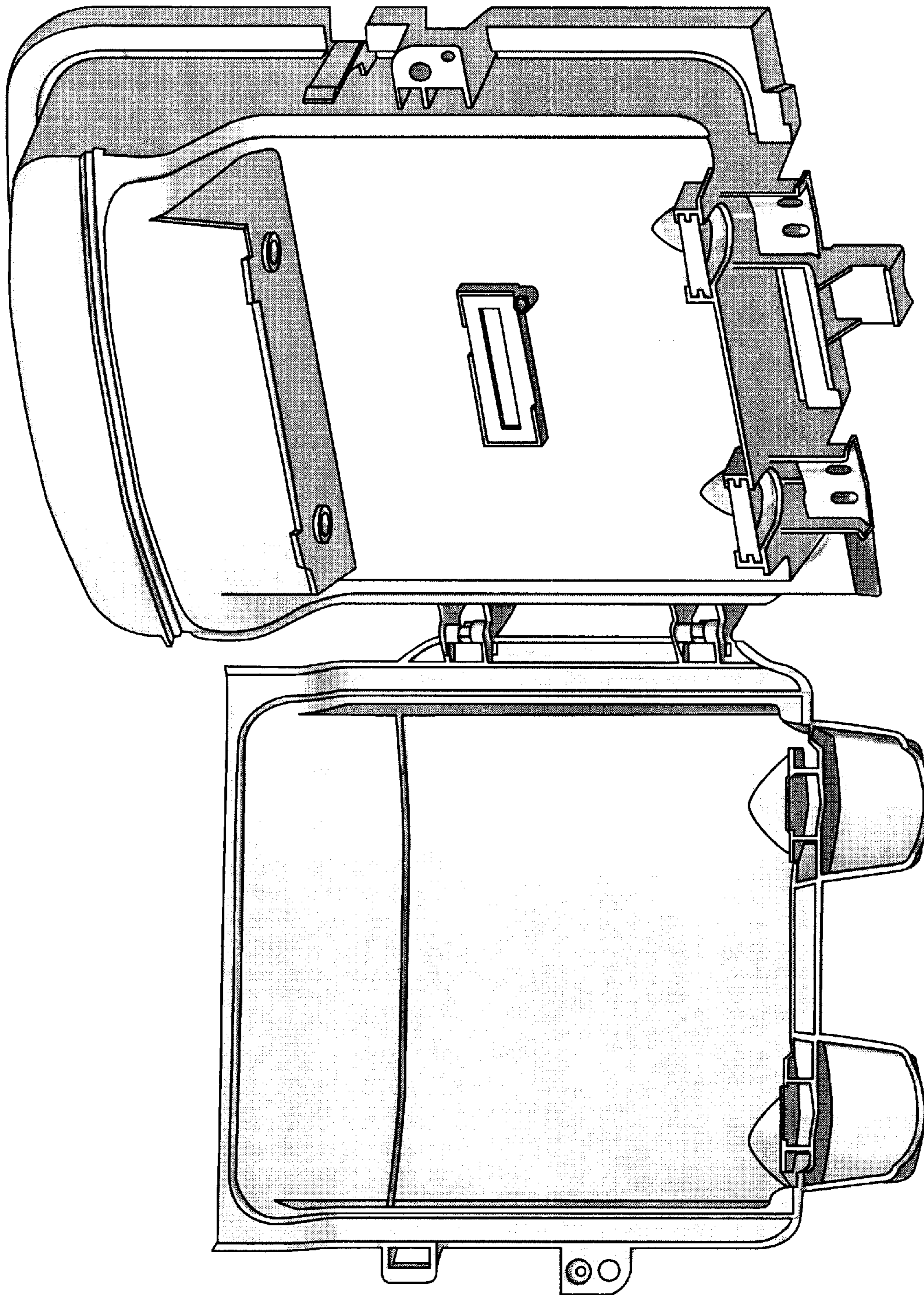


Fig. 8