

US00D499064S

(12) **United States Design Patent**
Hall et al.

(10) **Patent No.:** **US D499,064 S**

(45) **Date of Patent:** **** Nov. 30, 2004**

(54) **VEHICLE BED FLOOR**

(75) Inventors: **Jarad W. Hall**, Manhattan Beach, CA (US); **Donald Lariviere**, Whittier, CA (US); **Thomas H. Kim**, Reseda, CA (US)

(73) Assignee: **Honda Motor Co., Ltd.**, Tokyo (JP)

(**) Term: **14 Years**

(21) Appl. No.: **29/190,086**

(22) Filed: **Sep. 16, 2003**

(51) **LOC (7) Cl.** **12-06**

(52) **U.S. Cl.** **D12/221**

(58) **Field of Search** D12/221, 98; 296/183, 296/198, 39.1, 39.2, 37.6; 29/417, 897.2, 897.3, 897.32

(56) **References Cited**

U.S. PATENT DOCUMENTS

- D259,928 S * 7/1981 Weis et al. D12/221
- D271,009 S * 10/1983 Fishler D12/221
- D293,226 S * 12/1987 Whitson D12/221

- D391,545 S * 3/1998 Arndt et al. D12/221
- D441,340 S * 5/2001 Whiteford et al. D12/221
- D466,073 S * 11/2002 Jurica et al. D12/221

* cited by examiner

Primary Examiner—Melody N. Brown

(74) *Attorney, Agent, or Firm*—Plumsea Law Group, LLC

(57) **CLAIM**

The ornamental design for a vehicle bed floor, as shown and described.

DESCRIPTION

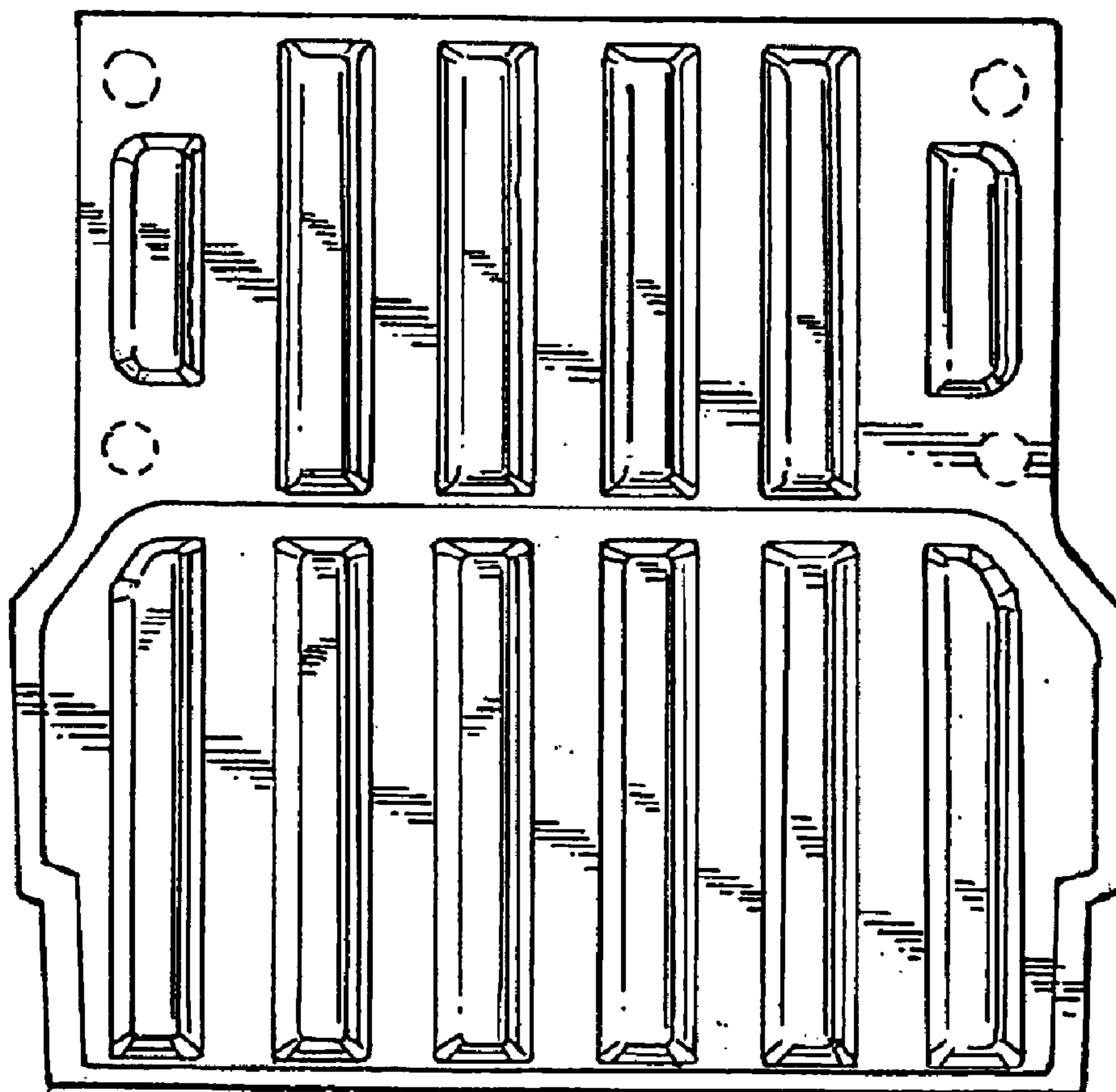
FIG. 1 is a perspective view of a vehicle bed floor showing our new design;

FIG. 2 is a top plan view thereof; and,

FIG. 3 is a side elevational view thereof as viewed from the left side of FIG. 2, the opposite side elevational view being a mirror image thereof.

The broken line showings of the four circles are for illustrative purposes only and form no part of the claimed invention. A bottom view showing the underside of the bed floor is not illustrated and therefore forms no part of the claimed invention.

1 Claim, 2 Drawing Sheets



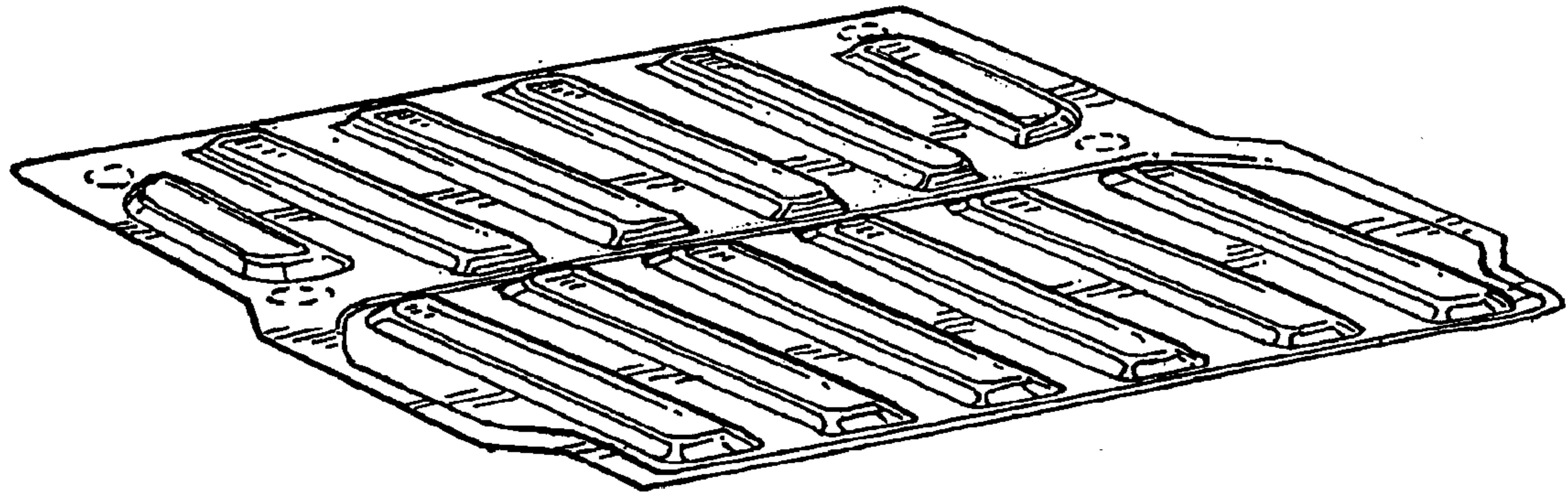


FIG. 1

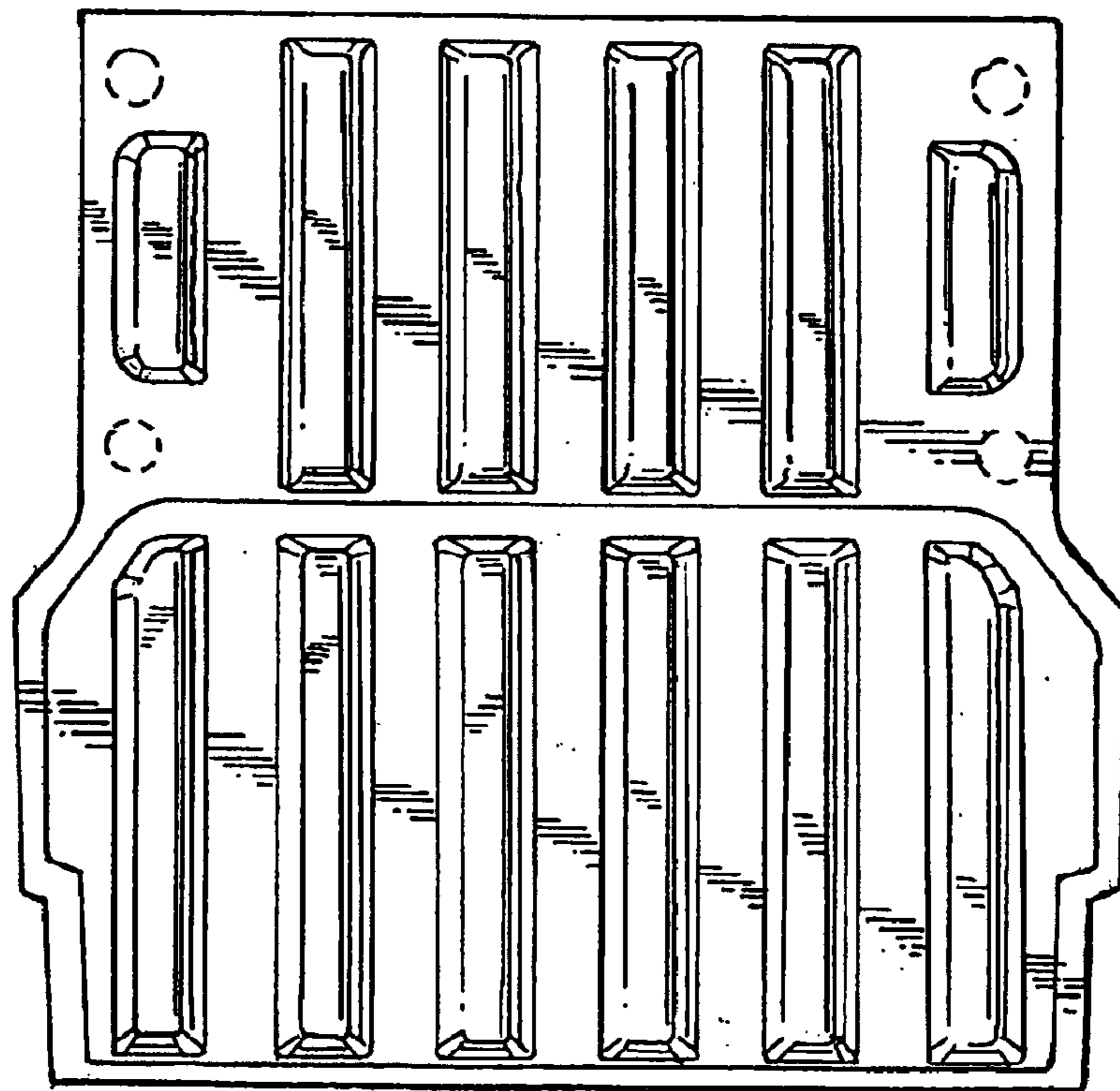


FIG. 2



FIG. 3