

US00D499060S

(12) **United States Design Patent**  
**Cahyono**

(10) **Patent No.:** **US D499,060 S**

(45) **Date of Patent:** **\*\* Nov. 30, 2004**

- (54) **VEHICLE WHEEL**
- (75) **Inventor:** **Sumantri Cahyono, Surabaya (ID)**
- (73) **Assignee:** **PT Prima Alloy Steel Universal, Sidoarjo (ID)**
- (\*\*) **Term:** **14 Years**
- (21) **Appl. No.:** **29/204,300**
- (22) **Filed:** **Apr. 27, 2004**
- (51) **LOC (7) Cl.** ..... **12-16**
- (52) **U.S. Cl.** ..... **D12/209**
- (58) **Field of Search** ..... **D12/204-213;**  
301/37.101, 64.101, 65

- D475,961 S \* 6/2003 Pfeiffer et al. .... D12/211
- D481,985 S \* 11/2003 Cahyono ..... D12/211
- D487,882 S \* 3/2004 Cahyono ..... D12/209
- D488,116 S \* 4/2004 Chung ..... D12/209
- D488,762 S \* 4/2004 Cahyono ..... D12/209

\* cited by examiner

*Primary Examiner*—Stacia Cadmus

(74) *Attorney, Agent, or Firm*—Fulwider Patton Lee & Utecht, LLP

(57) **CLAIM**

The ornamental design for the “vehicle wheel,” as shown and described.

**DESCRIPTION**

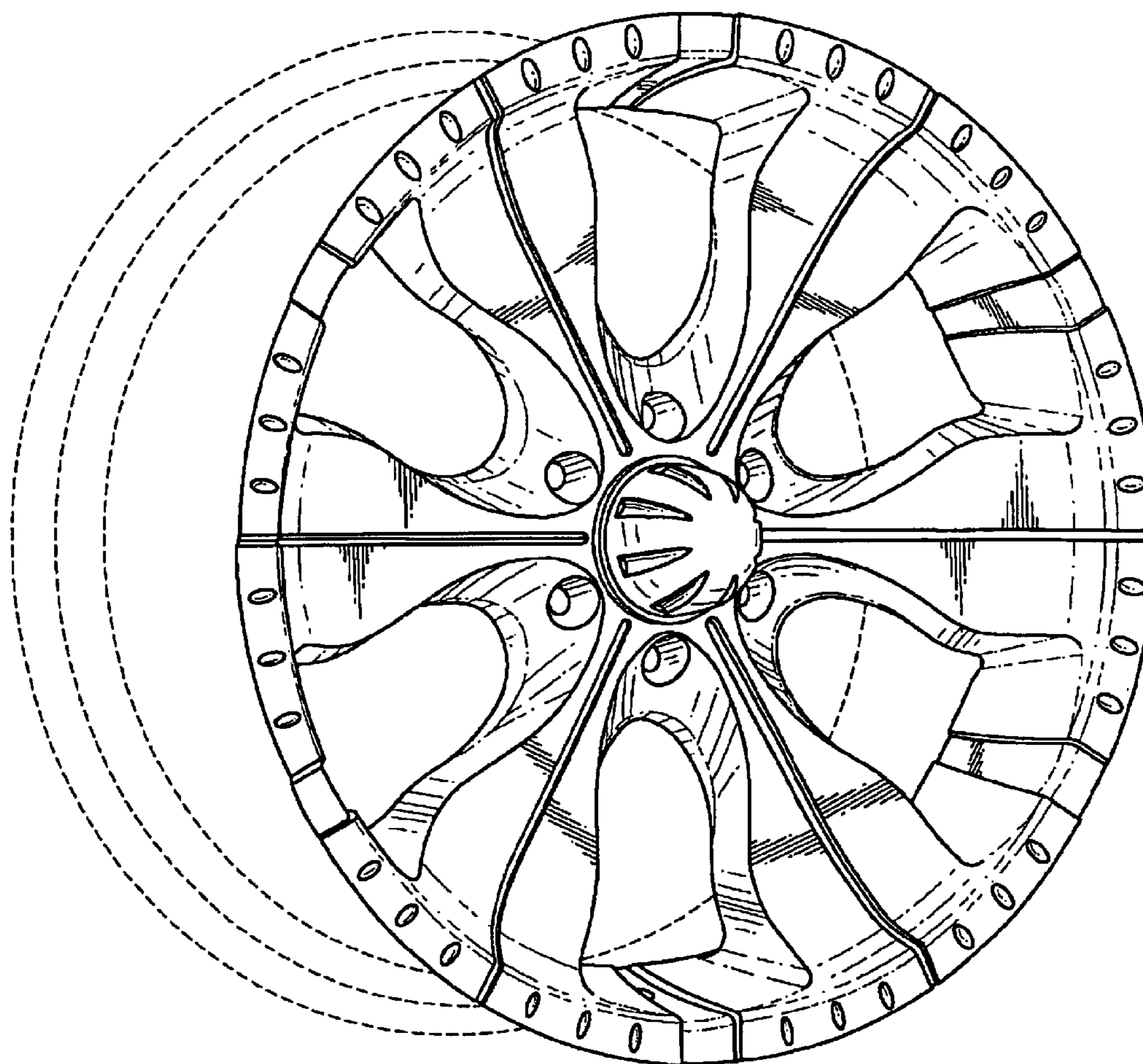
FIG. 1 is a perspective view of the vehicle wheel showing my new design;  
 FIG. 2 is a front elevational view thereof; and,  
 FIG. 3 is a cross-sectional view taken along the lines of 3—3 of FIG. 2.  
 The broken line showing of environment is for illustrative purposes only and forms no part of the claimed design.

**1 Claim, 3 Drawing Sheets**

(56) **References Cited**

**U.S. PATENT DOCUMENTS**

- D442,135 S \* 5/2001 Chrysanto et al. .... D12/209
- D460,939 S \* 7/2002 Chung ..... D12/209
- D467,857 S \* 12/2002 Chung ..... D12/209
- D471,500 S \* 3/2003 Kataoka ..... D12/209
- D472,866 S \* 4/2003 Pfeiffer et al. .... D12/211



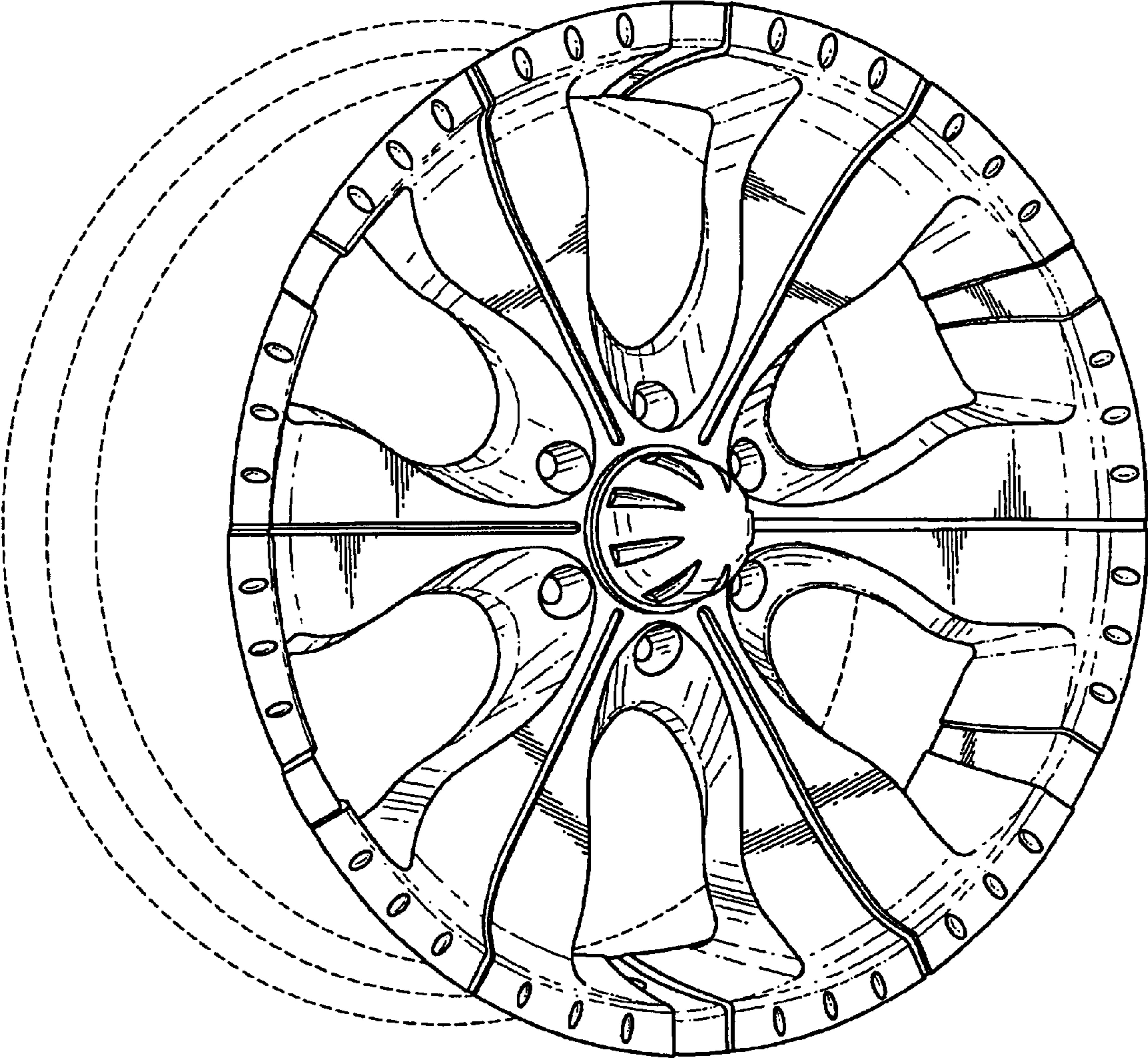


FIG. 1

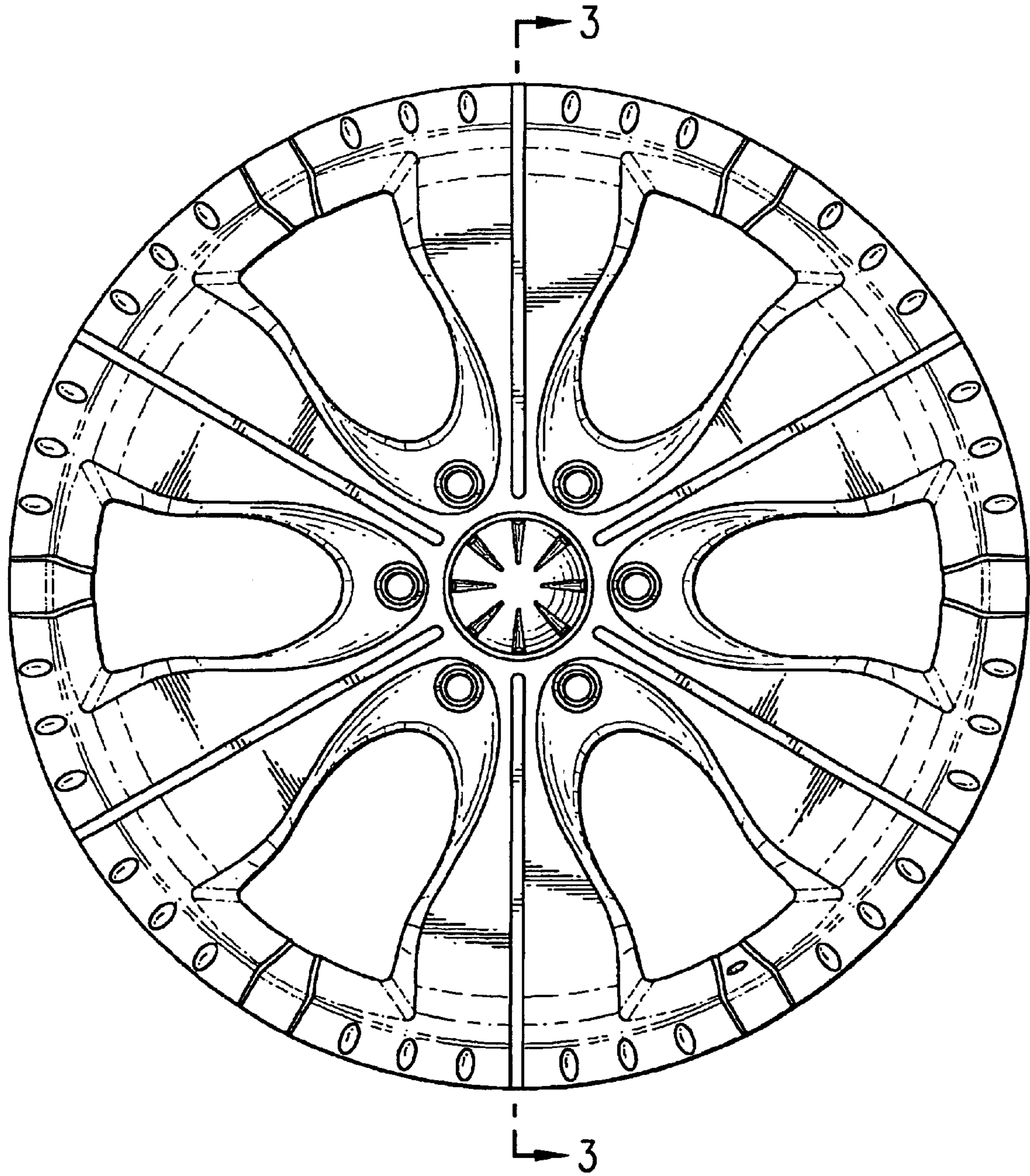


FIG. 2

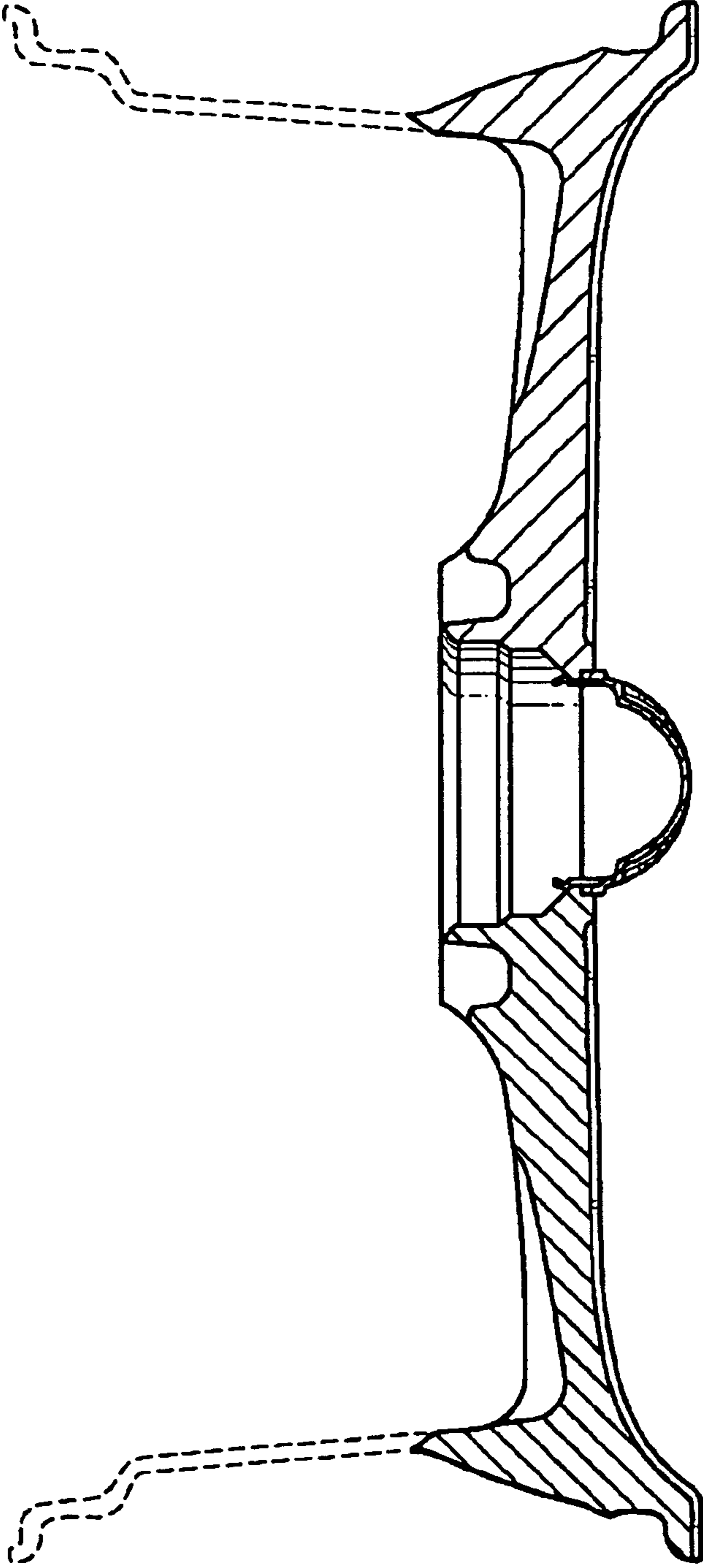


FIG. 3