



US00D499059S

(12) **United States Design Patent**
Cahyono

(10) **Patent No.:** **US D499,059 S**

(45) **Date of Patent:** **** Nov. 30, 2004**

(54) **VEHICLE WHEEL**

(75) **Inventor:** **Sumantri Cahyono, Surabaya (ID)**

(73) **Assignee:** **PT Prima Alloy Steel Universal, Sidoarjo (IN)**

(**) **Term:** **14 Years**

(21) **Appl. No.:** **29/204,298**

(22) **Filed:** **Apr. 27, 2004**

(51) **LOC (7) Cl.** **12-16**

(52) **U.S. Cl.** **D12/209**

(58) **Field of Search** **D12/204-213;**
301/37.101, 64.101, 65

D486,108 S * 2/2004 Min D12/209
D487,043 S * 2/2004 McMath D12/209
D487,882 S * 3/2004 Cahyono D12/209
D492,238 S * 6/2004 Bernoni D12/211

* cited by examiner

Primary Examiner—Stacia Cadmus

(74) *Attorney, Agent, or Firm*—Fulwider, Patton, Lee & Utecht, LLP

(57) **CLAIM**

The ornamental design for the “vehicle wheel”, as shown and described.

DESCRIPTION

FIG. 1 is a perspective view of the vehicle wheel showing my new design;

FIG. 2 is a front elevational view thereof; and,

FIG. 3 is a cross-sectional view taken along the lines of 3—3 of FIG. 2.

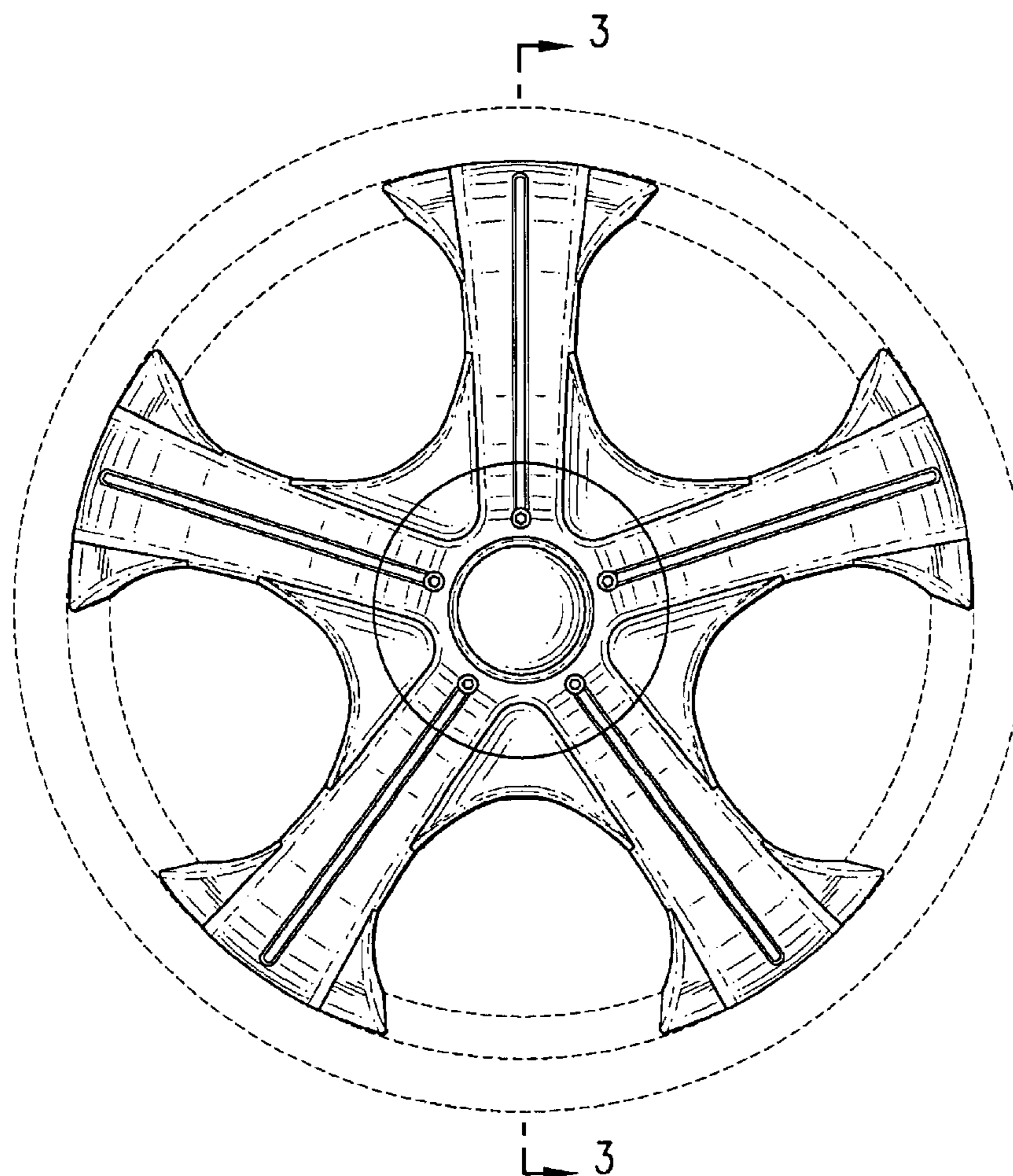
The broken line showing of environment is for illustrative purposes only and forms no part of the claimed design.

(56) **References Cited**

U.S. PATENT DOCUMENTS

D444,118 S * 6/2001 Chung D12/211
D460,729 S * 7/2002 Khan D12/209
D476,938 S * 7/2003 Hatori D12/209
D480,031 S * 9/2003 Mattin et al. D12/209
D481,982 S * 11/2003 Takechi D12/211

1 Claim, 3 Drawing Sheets



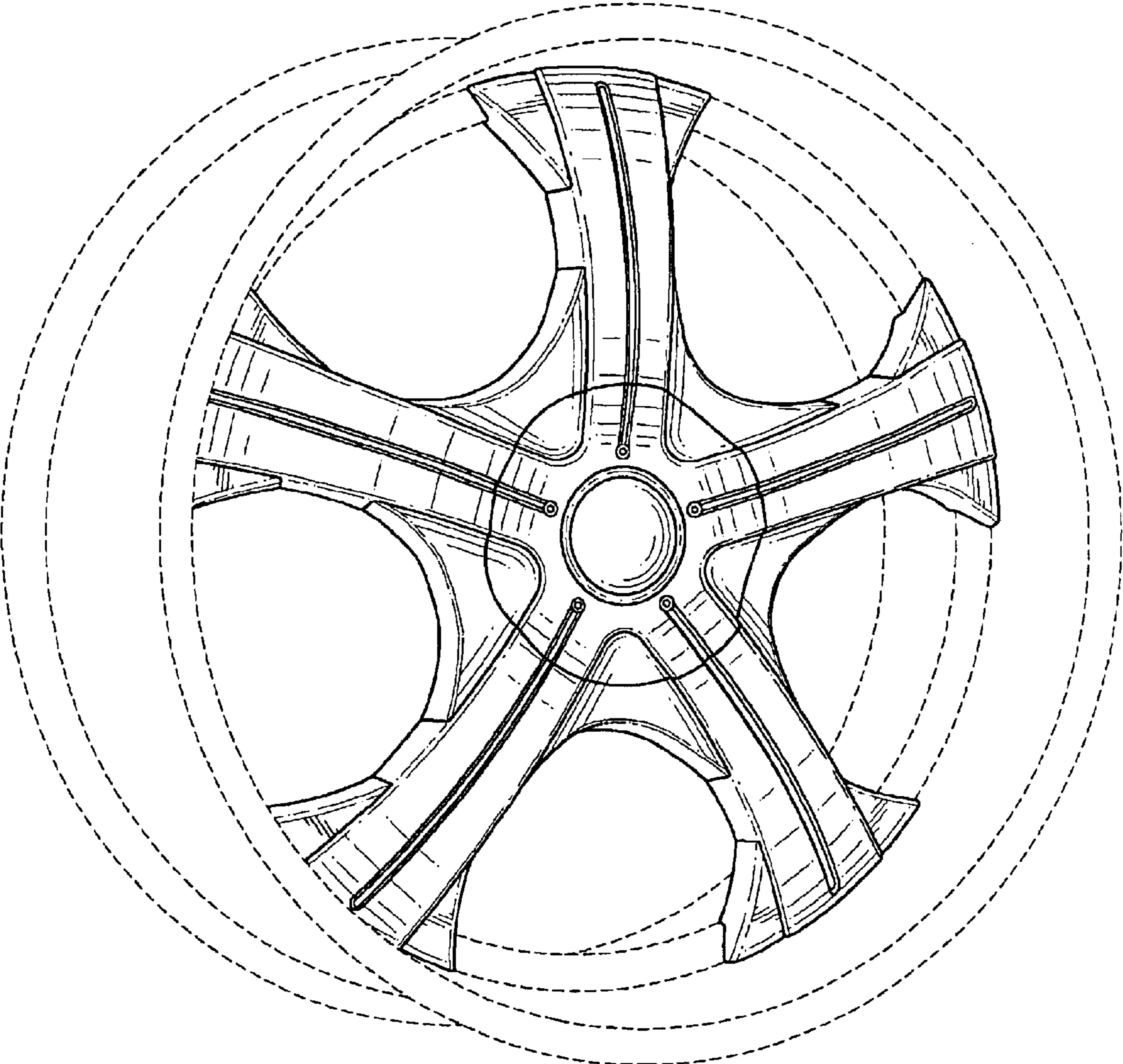


FIG. 1

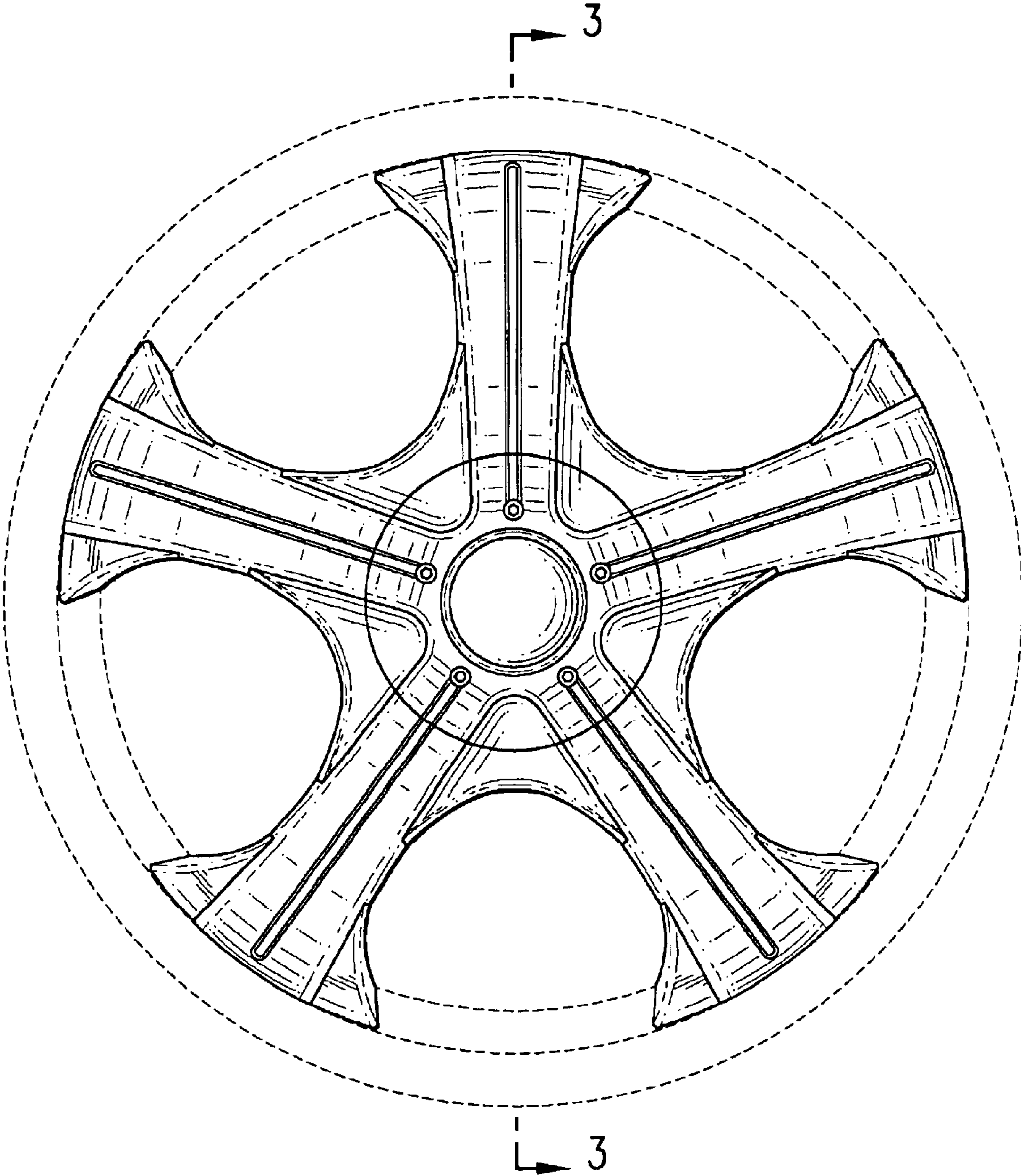


FIG. 2

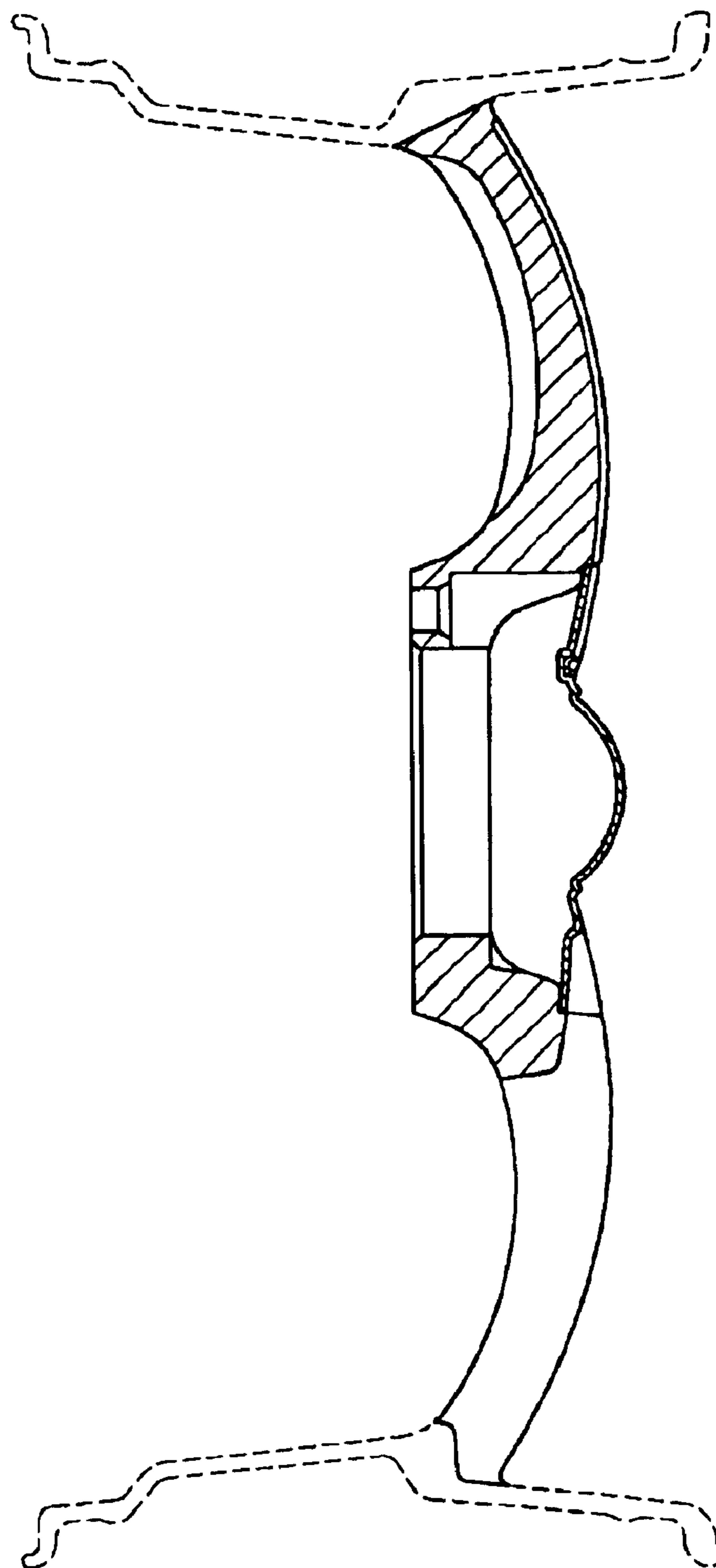


FIG. 3