



US00D499043S

(12) **United States Design Patent**
Gavin

(10) **Patent No.:** **US D499,043 S**

(45) **Date of Patent:** **** Nov. 30, 2004**

(54) **FINGER RING**

(75) **Inventor:** **David M. Gavin, Thornhill (CA)**

(73) **Assignee:** **Diamintangibles International, Ltd.,
Nassau (BS)**

(**) **Term:** **14 Years**

(21) **Appl. No.:** **29/188,171**

(22) **Filed:** **Aug. 12, 2003**

(51) **LOC (7) Cl.** **11-01**

(52) **U.S. Cl.** **D11/26**

(58) **Field of Search** D11/3, 26-39;
63/3, 1.11, 1.12, 12, 15, 15.1, 15.2-15.3,
15.4, 15.45, 15.5-15.6, 15.65, 15.7-15.8,
15.9, 26, 27-28, 39

(56) **References Cited**

U.S. PATENT DOCUMENTS

3,197,166	A	*	7/1965	Sandler	D11/36
D235,077	S	*	5/1975	Houston	D11/35
D389,423	S	*	1/1998	Wein	D11/37
6,062,045	A	*	5/2000	West	63/15
6,260,383	B1	*	7/2001	Warren et al.	D11/26

D446,470	S	*	8/2001	Itzkowitz	D11/26
D449,245	S	*	10/2001	Ambar	D11/36
D450,009	S	*	11/2001	Molfese	D11/26
D458,181	S	*	6/2002	Itzkowitz	D11/35
D466,432	S	*	12/2002	Itzkowitz	D11/35

* cited by examiner

Primary Examiner—Cathy Anne MacCormac

(74) *Attorney, Agent, or Firm*—Kirschstein, et al.

(57) **CLAIM**

The ornamental design for a finger ring, as shown and described.

DESCRIPTION

FIG. 1 is a perspective view of a finger ring according to my new design;

FIG. 2 is a side view of the ring of FIG. 1, both sides being identical;

FIG. 3 is a bottom plan view of the ring of FIG. 1;

FIG. 4 is an enlarged sectional view taken on line 4—4 of FIG. 1; and,

FIG. 5 is an enlarged sectional view taken on line 5—5 of FIG. 1.

The dashed lines form no part of this invention.

1 Claim, 2 Drawing Sheets

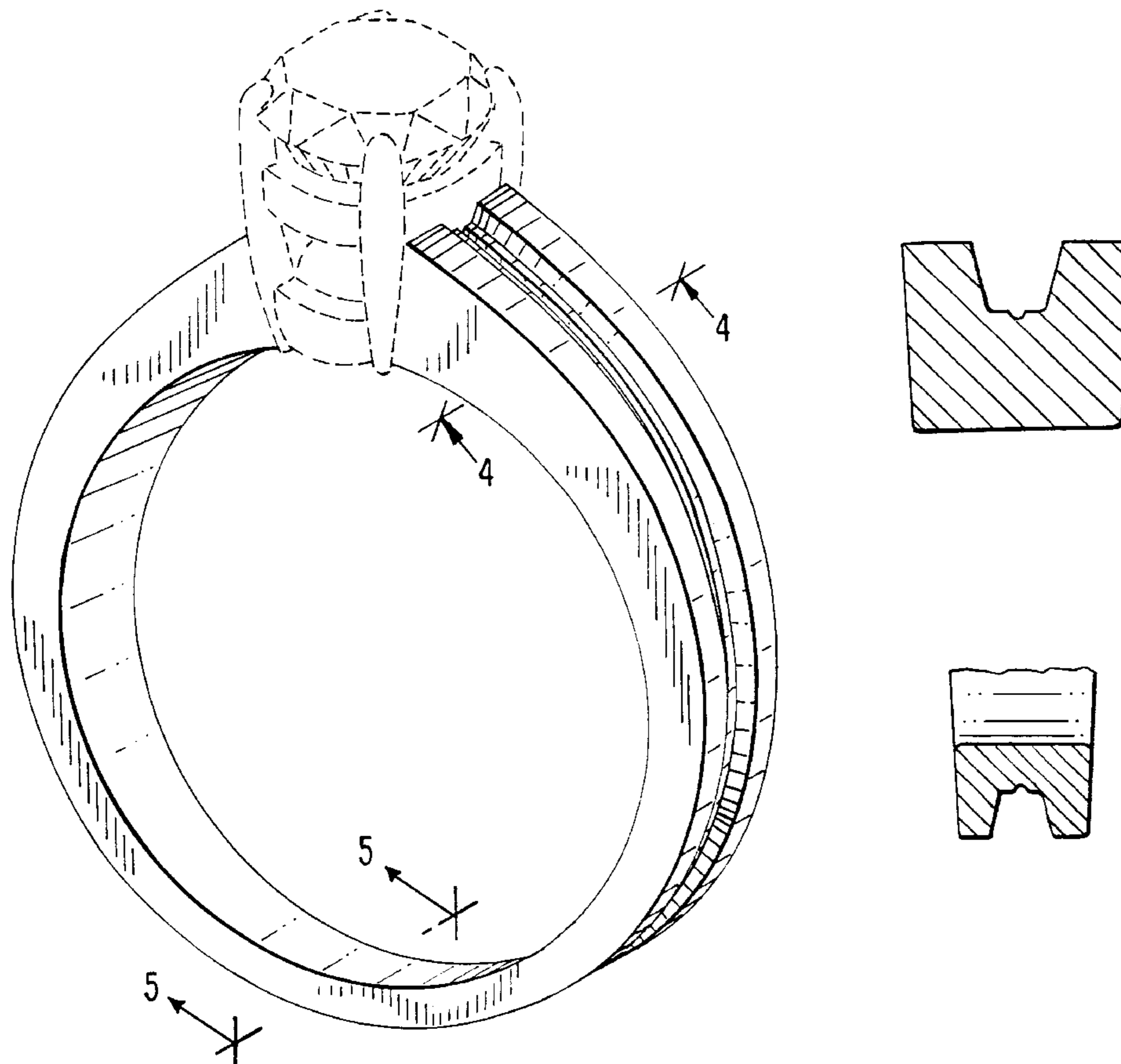


FIG. 1

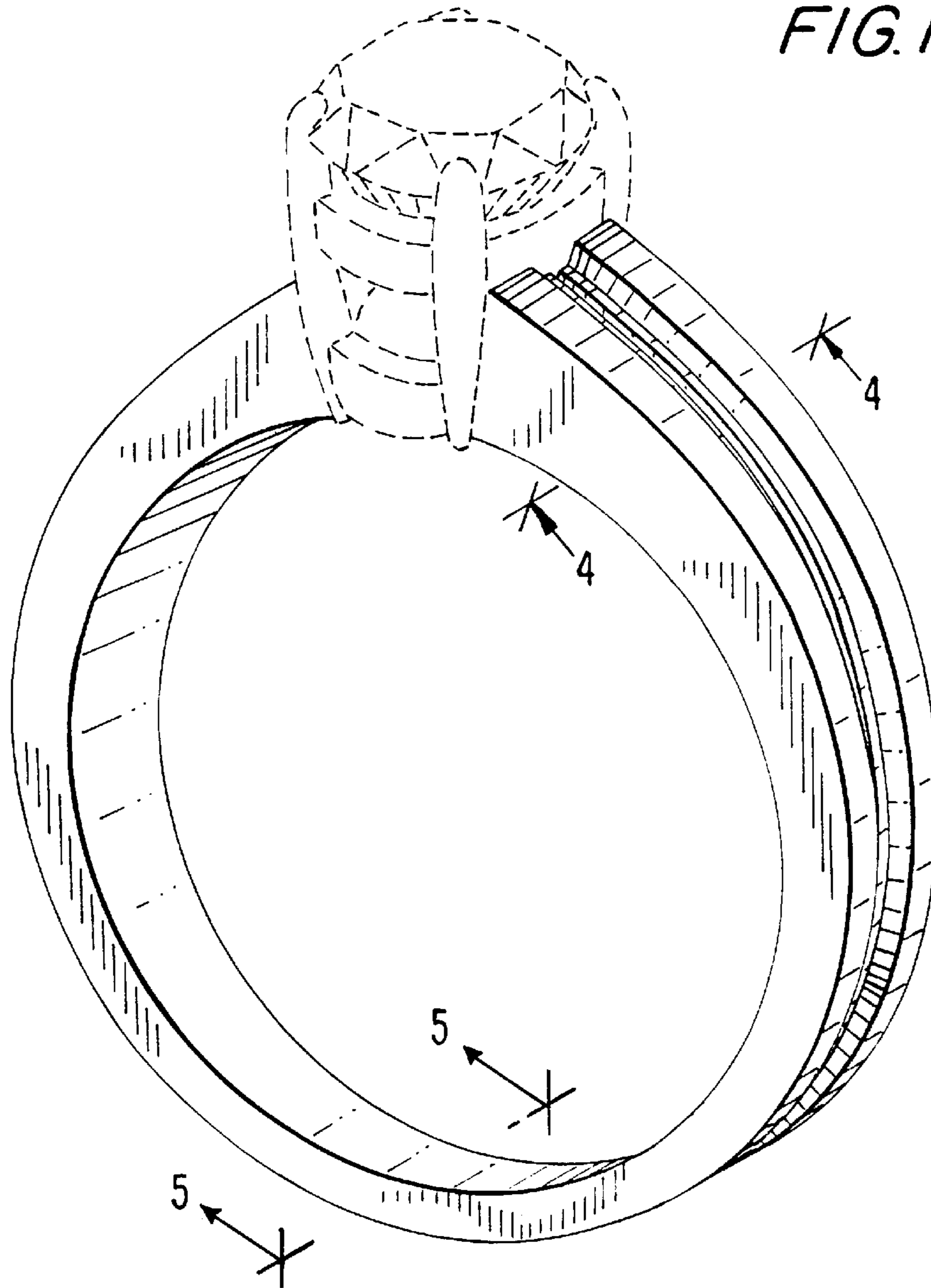


FIG. 4

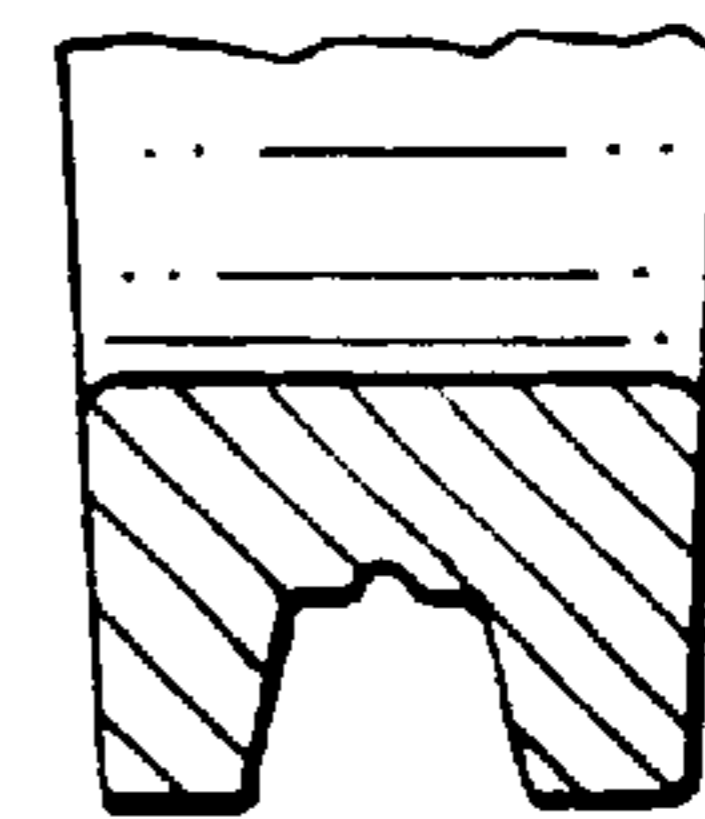
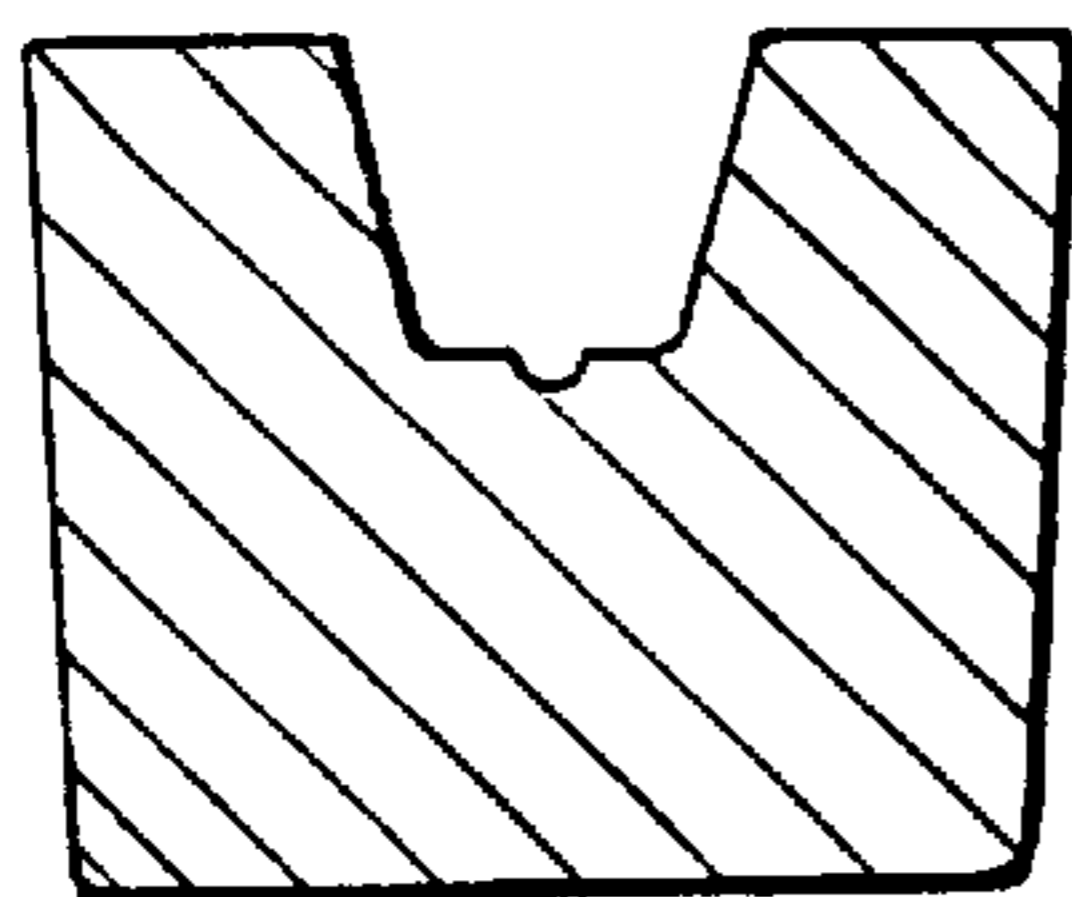


FIG. 5

FIG 2

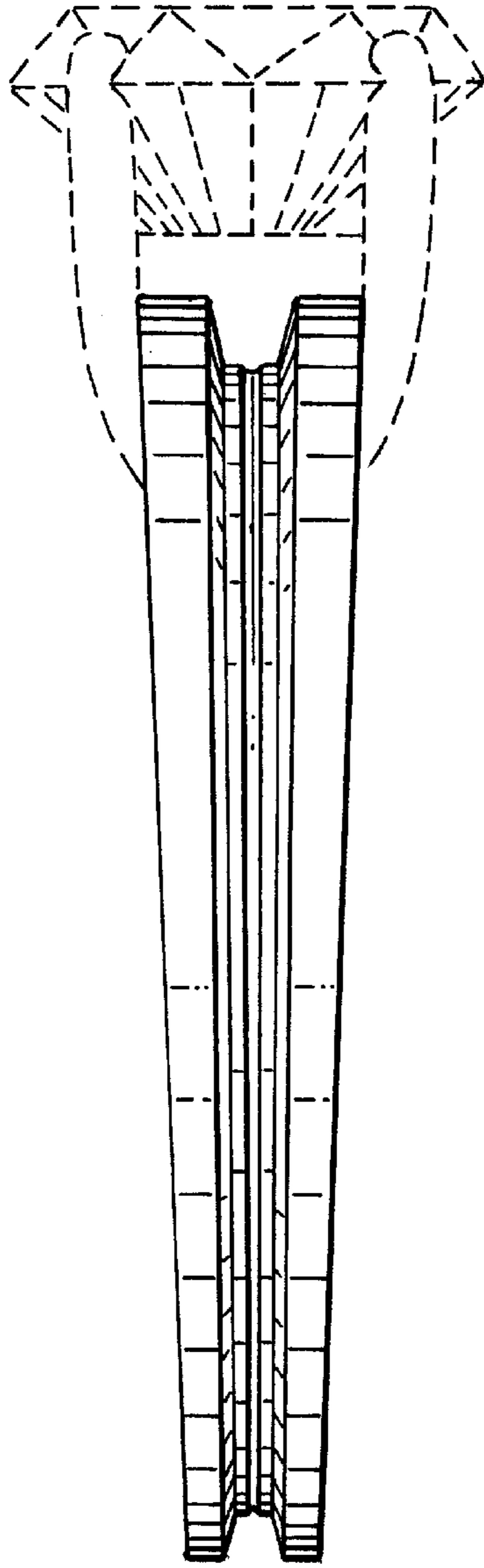


FIG. 3

