



US00D499033S

(12) **United States Design Patent**
Stevermer

(10) **Patent No.:** **US D499,033 S**

(45) **Date of Patent:** **** Nov. 30, 2004**

(54) **MEASURING WHEEL**

(76) **Inventor:** **Lyle E. Stevermer**, 2 S. Main, P.O.
Box 748, Winnebago, MN (US) 56098

(**) **Term:** **14 Years**

(21) **Appl. No.:** **29/197,270**

(22) **Filed:** **Jan. 13, 2004**

(51) **LOC (7) Cl.** **10-04**

(52) **U.S. Cl.** **D10/70**

(58) **Field of Search** D10/70, 98; 33/779-782,
33/772, 775, 781

(56) **References Cited**

U.S. PATENT DOCUMENTS

2,614,330	A	*	10/1952	Cederholm	33/782
3,616,541	A	*	11/1971	Crayton	33/781
3,673,693	A		7/1972	Evans, Jr.		
4,495,813	A	*	1/1985	Lojko et al.	33/782
D437,796	S	*	2/2001	Risi	D10/70
D458,162	S	*	6/2002	Wightman	D10/70
D486,406	S	*	2/2004	Critelli et al.	D10/70

OTHER PUBLICATIONS

Northern Tool & Equipment, Spring 2003, p. 78, measuring wheels, [retrieved Jul. 23, 2004]. Retrieved from internet using Google Advanced Catalog Search, <URL:www.northern-tool.com>.*

Gopher, Spring 2003, p. 304, measuring wheels, [retrieved Jul. 23, 2004]. Retrieved from internet using Google Advanced Catalog Search, <URL:www.gophersport.com>.*

* cited by examiner

Primary Examiner—Lucy Lieberman

(74) *Attorney, Agent, or Firm*—Patterson, Thuente, Skaar & Christensen, P.A.; Michael A. Bondi

(57) **CLAIM**

The ornamental design for a measuring wheel, as shown and described.

DESCRIPTION

FIG. 1 is a perspective view of a measuring wheel according to an embodiment of the invention with a handle in a retracted configuration.

FIG. 2 is a back view of a measuring wheel according to an embodiment of the invention.

FIG. 3 is a first side view of a measuring wheel according to an embodiment of the invention.

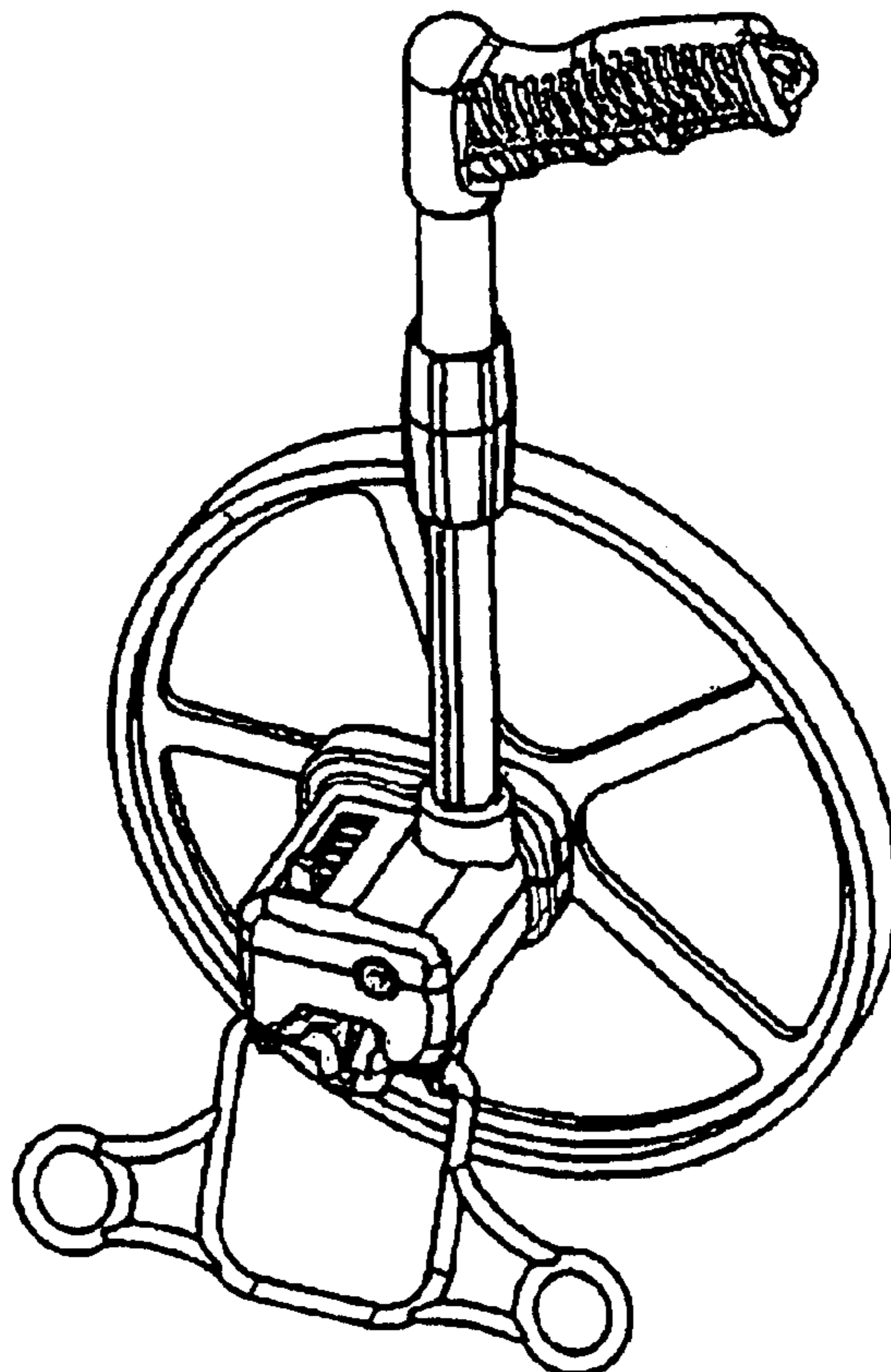
FIG. 4 is a top view of a measuring wheel according to an embodiment of the invention.

FIG. 5 is a second side view of a measuring wheel according to an embodiment of the invention; and,

FIG. 6 is a bottom view of a measuring wheel according to an embodiment of the invention.

The handle is shown in a retracted position in all of the views.

1 Claim, 3 Drawing Sheets



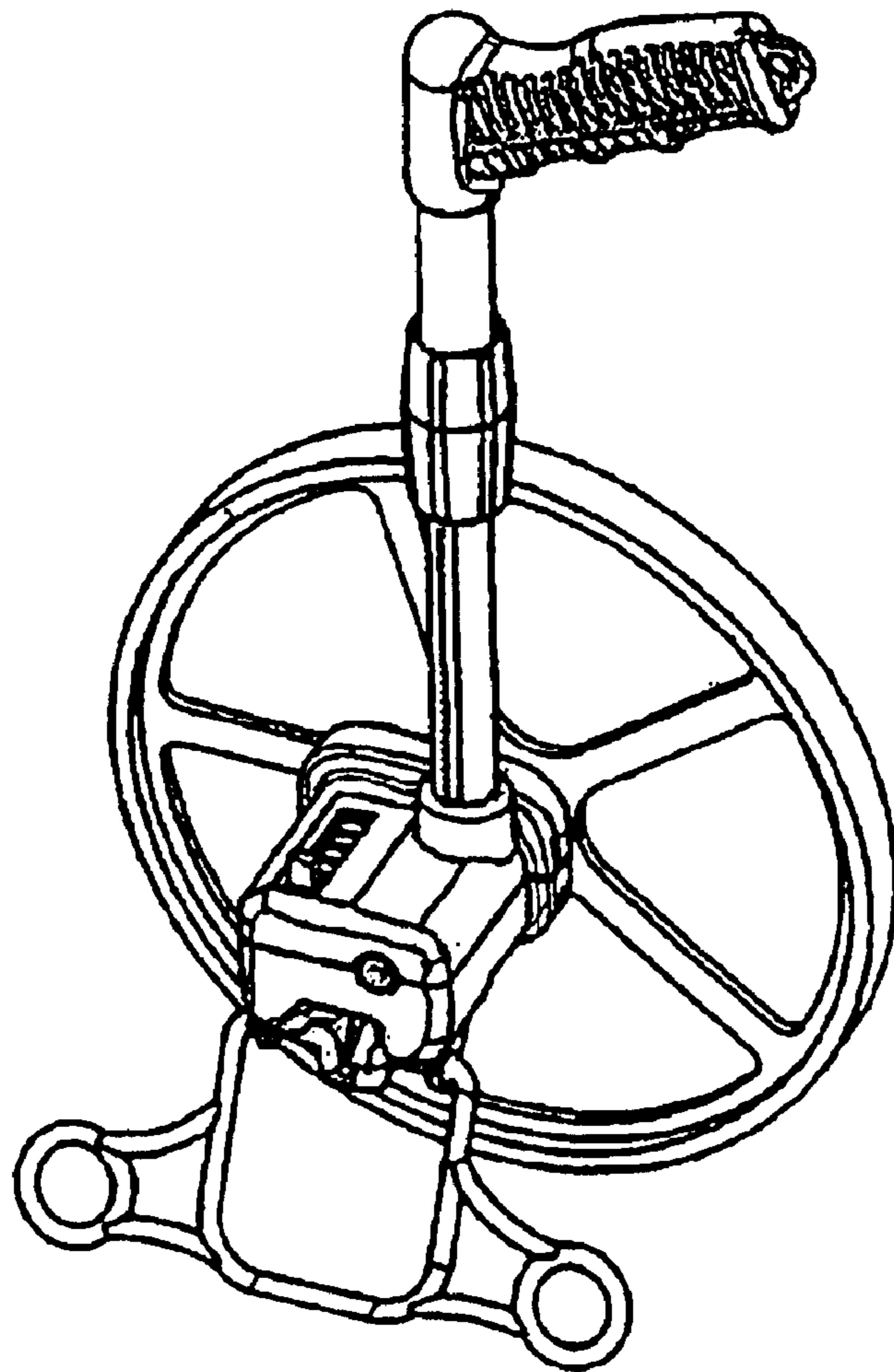


FIG. 1

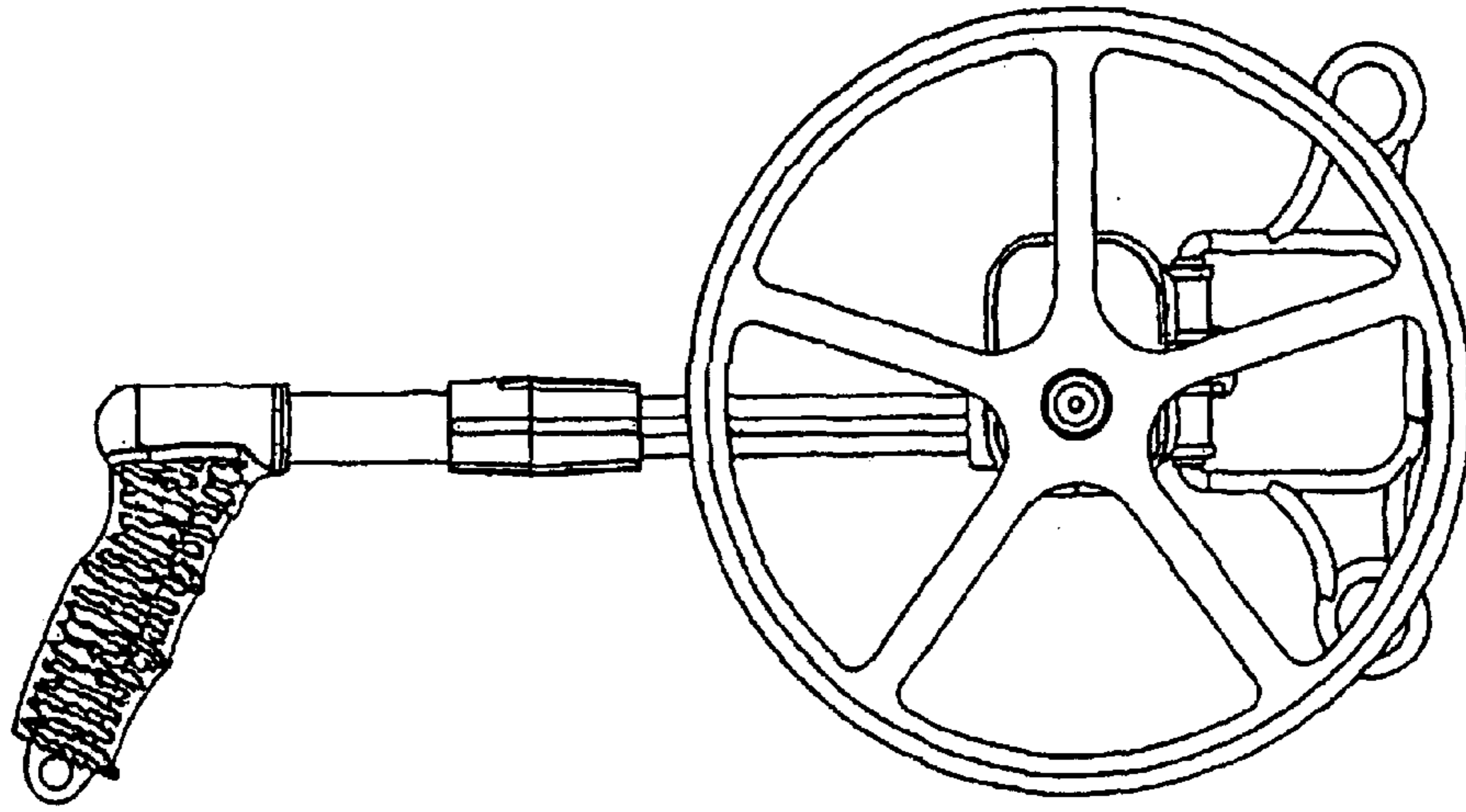


FIG. 3

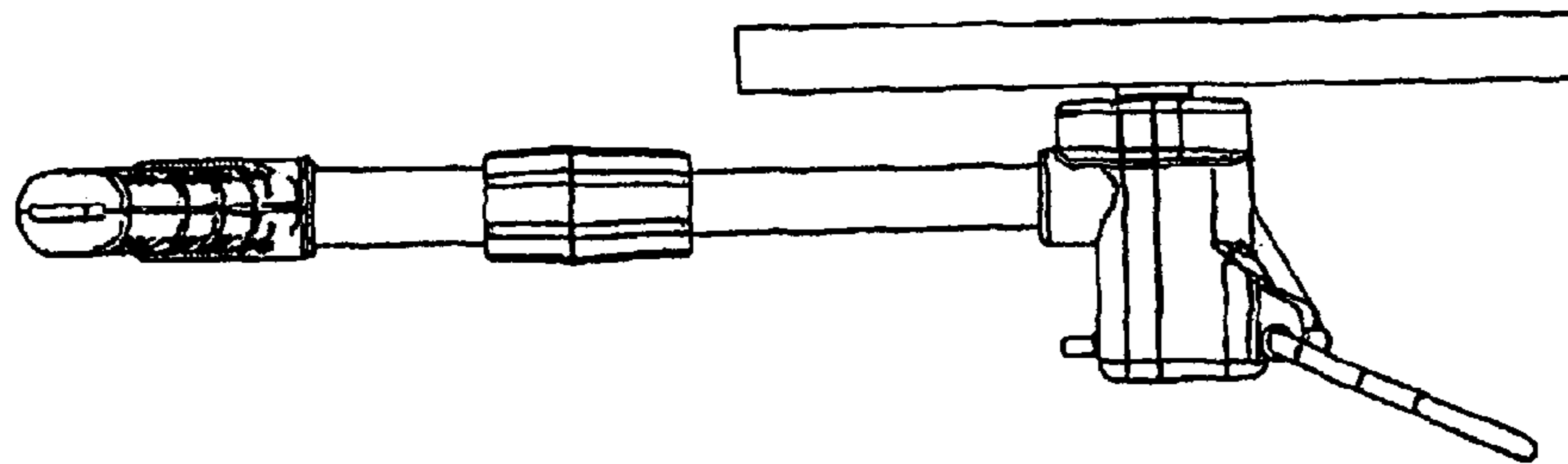


FIG. 2

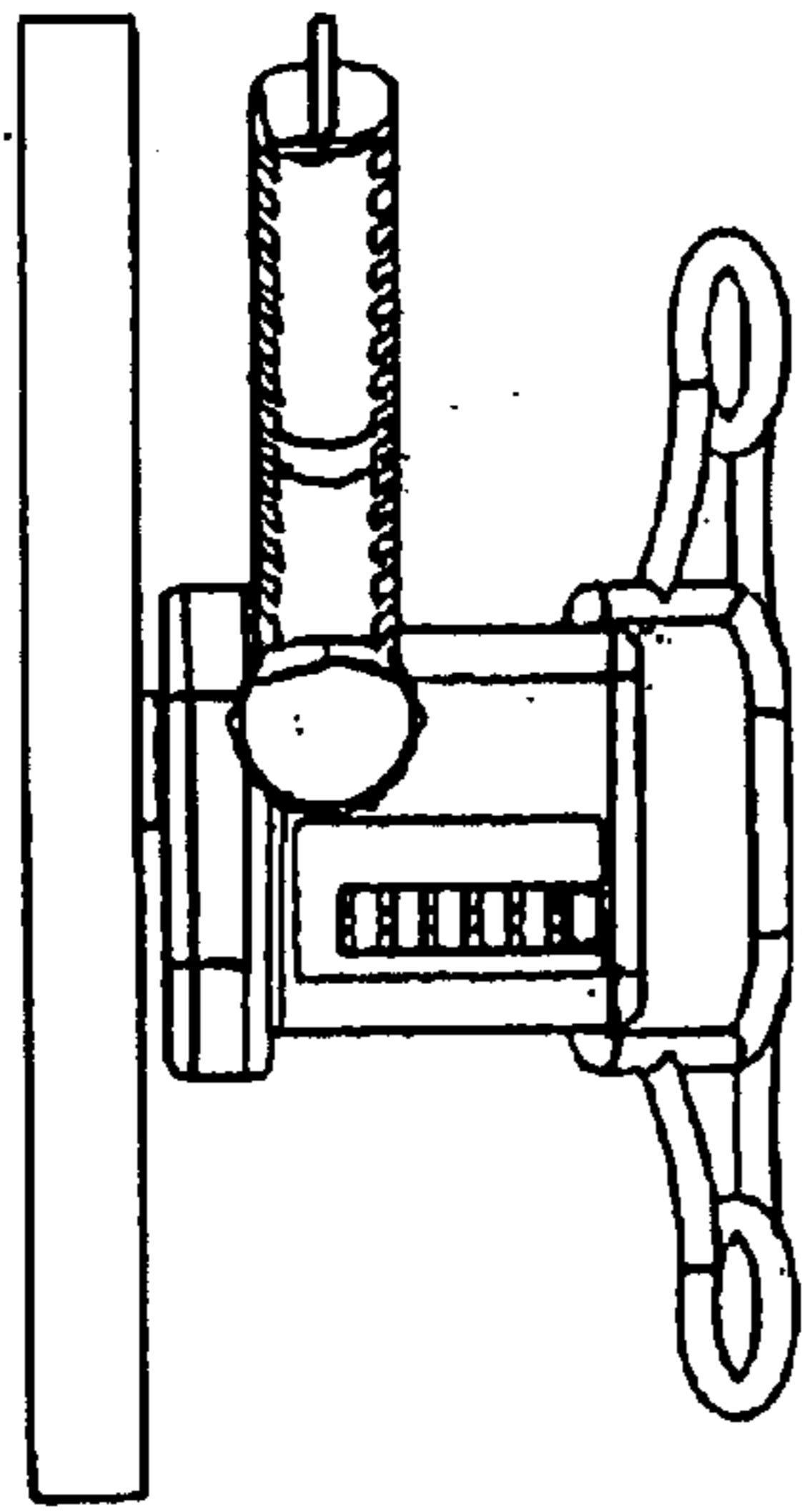


FIG. 4

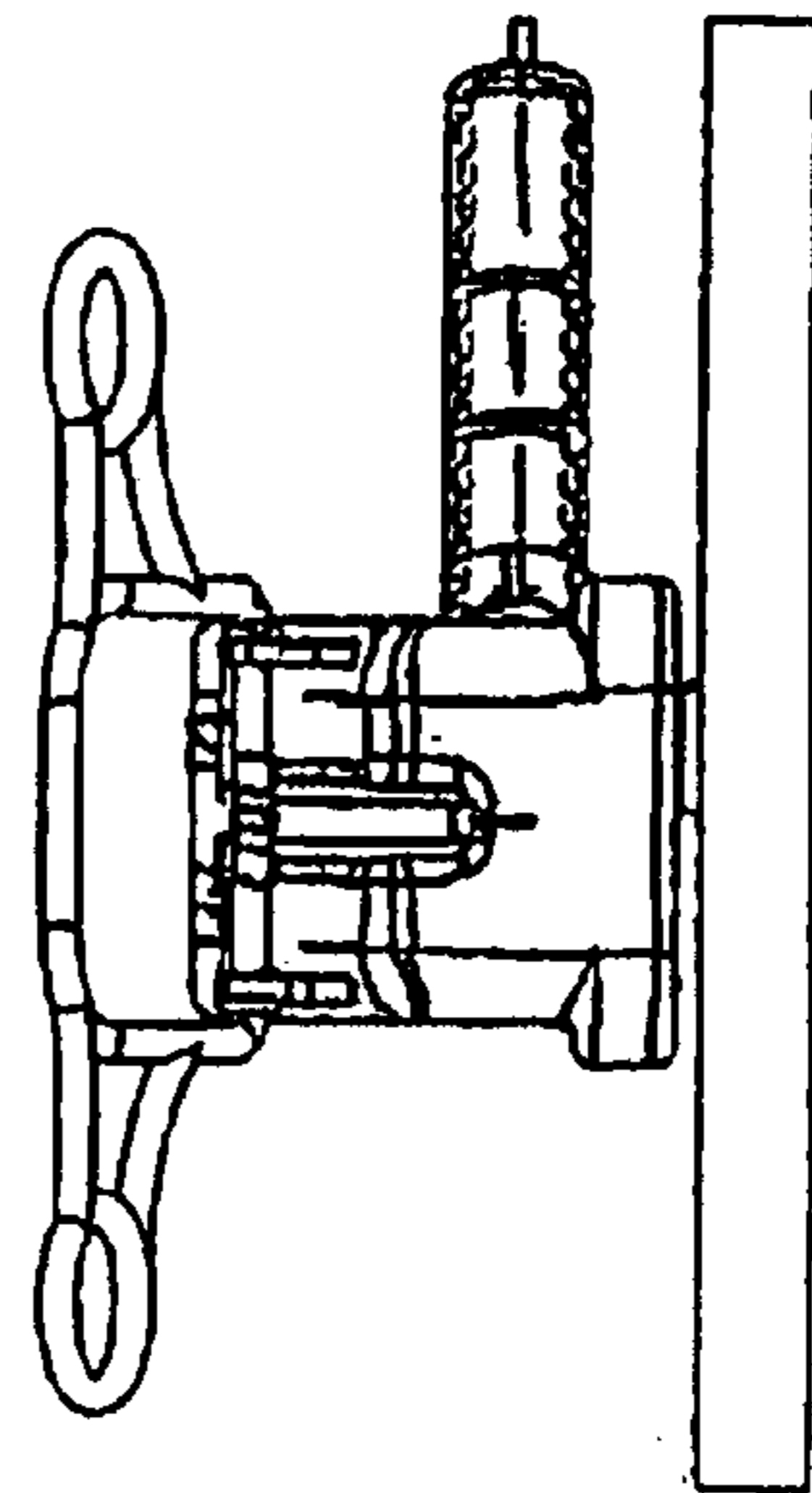


FIG. 6

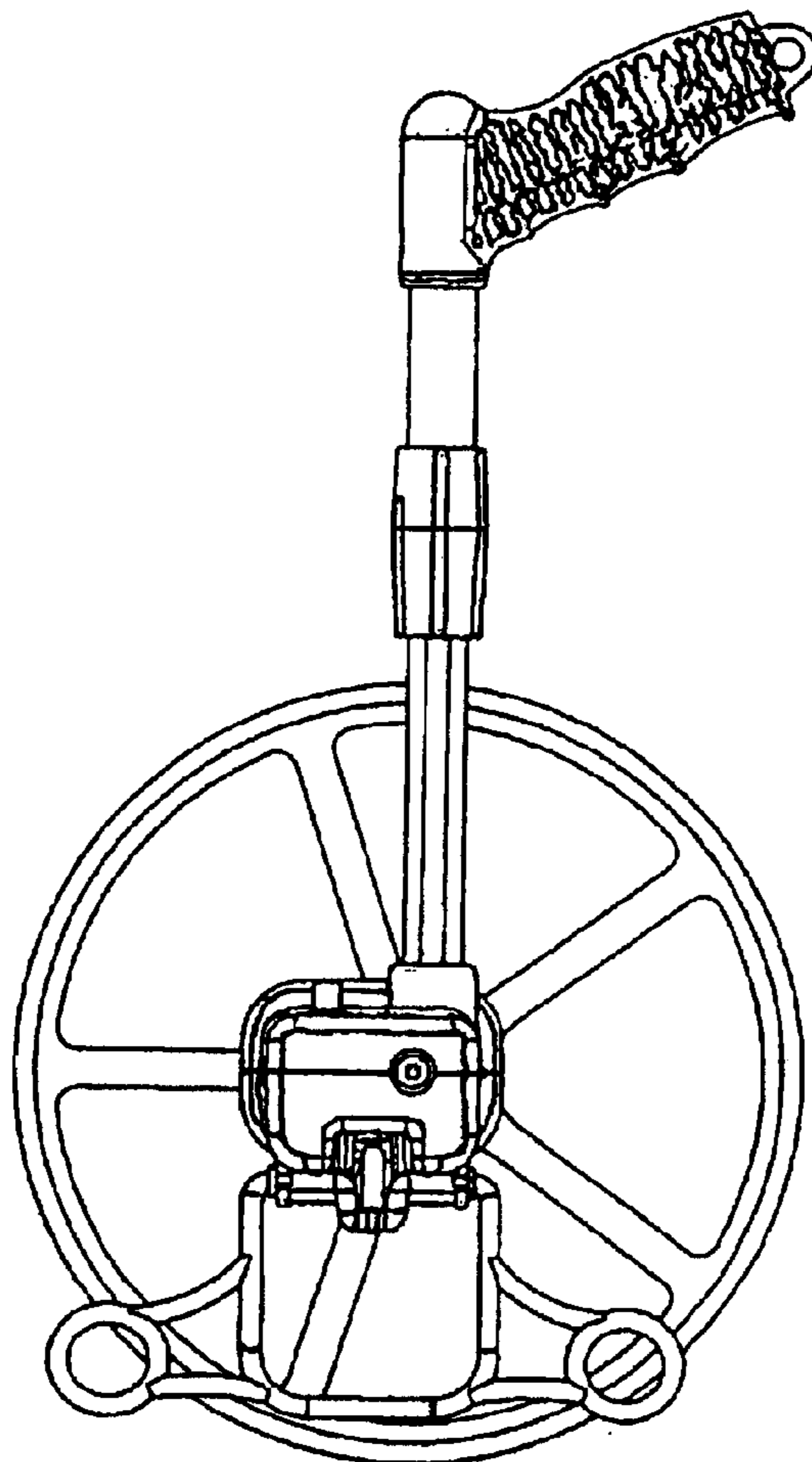


FIG. 5