

US00D499032S

(12) **United States Design Patent**  
**Khubani**

(10) **Patent No.:** **US D499,032 S**

(45) **Date of Patent:** **\*\* Nov. 30, 2004**

(54) **LASER LEVEL**

(75) **Inventor:** **Anand Khubani, Towaco, NJ (US)**

(73) **Assignee:** **Ideavillage Products Corp., NJ (US)**

(\*\*) **Term:** **14 Years**

(21) **Appl. No.:** **29/198,266**

(22) **Filed:** **Jan. 23, 2004**

(51) **LOC (7) Cl.** ..... **10-04**

(52) **U.S. Cl.** ..... **D10/69**

(58) **Field of Search** ..... D10/69, 65; 33/285,  
33/286, 290, 291, DIG. 21, 365-390, 348.2;  
356/247-249; 362/259

(56) **References Cited**

**U.S. PATENT DOCUMENTS**

5,075,977 A	12/1991	Rando	
5,144,487 A	9/1992	Hersey	
5,287,365 A	2/1994	Nielsen	
5,287,627 A	2/1994	Rando	
5,446,635 A	8/1995	Jehn	
5,594,993 A	1/1997	Tager	
5,621,975 A	4/1997	Rando	
5,819,424 A	10/1998	Ohtomo	
D402,218 S	* 12/1998	Kennison	..... D10/69
5,864,956 A	2/1999	Dong	
5,872,657 A	2/1999	Rando	
5,967,645 A	10/1999	Anderson	

6,065,217 A	5/2000	Dong	
6,184,979 B1	* 2/2001	Hirano et al.	..... 356/247
D440,506 S	* 4/2001	Blaetter et al.	..... D10/69
6,293,024 B1	* 9/2001	Fiebig et al.	..... 33/375
D491,080 S	* 6/2004	Wu	..... D10/69

\* cited by examiner

*Primary Examiner*—Lucy Lieberman

(74) *Attorney, Agent, or Firm*—Robert L. Epstein; Epstein Drangel Bazerman & James LLP

(57) **CLAIM**

The ornamental design for a laser level, as shown and described.

**DESCRIPTION**

FIG. 1 is a perspective view of a laser level showing my new design;

FIG. 2 is a front elevation thereof;

FIG. 3 is a rear elevation thereof;

FIG. 4 is a side elevation as seen from the left side of FIG. 2;

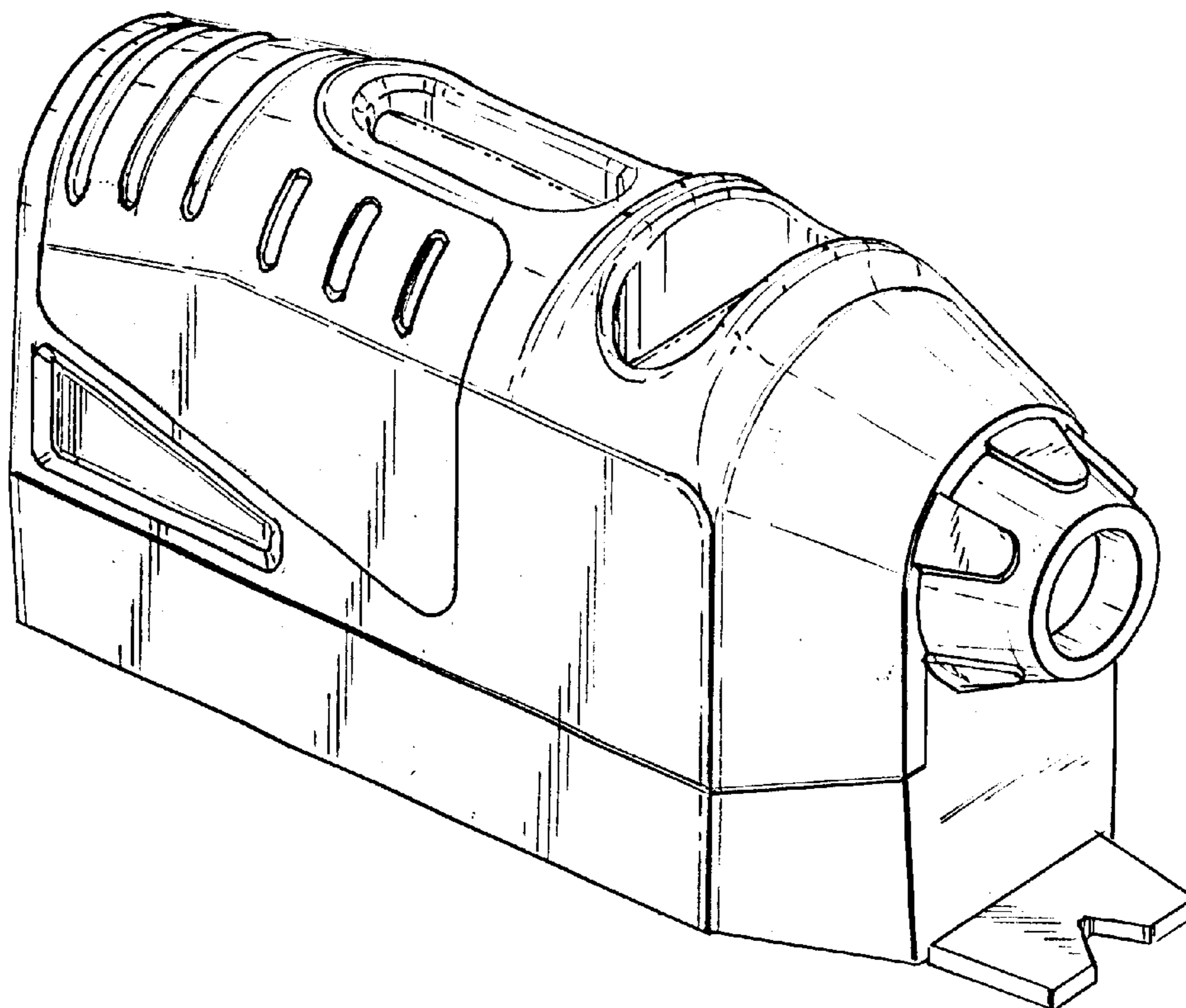
FIG. 5 is a side elevation as seen from the right side of FIG. 2;

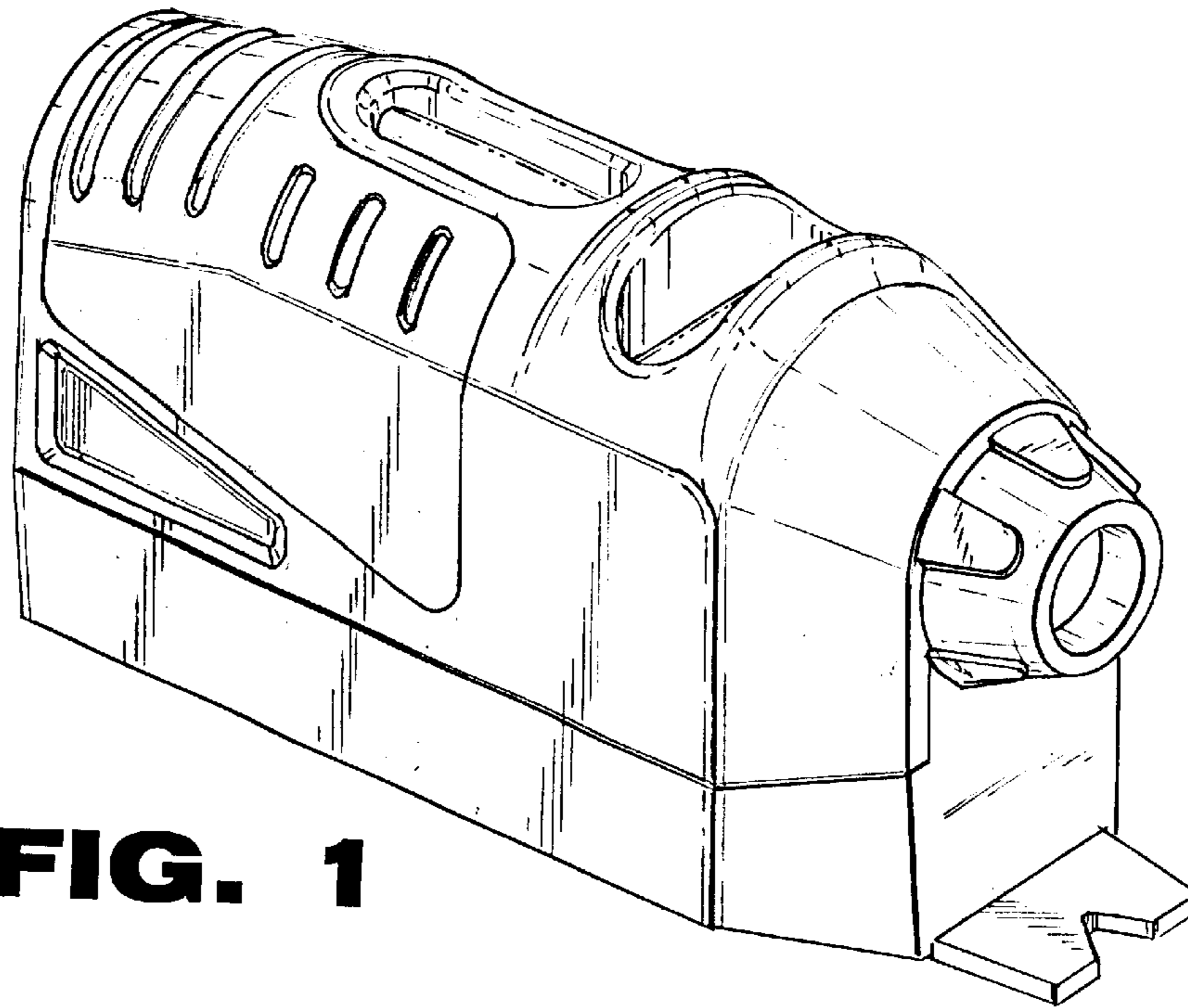
FIG. 6 is a top plan view thereof; and,

FIG. 7 is a bottom plan view thereof.

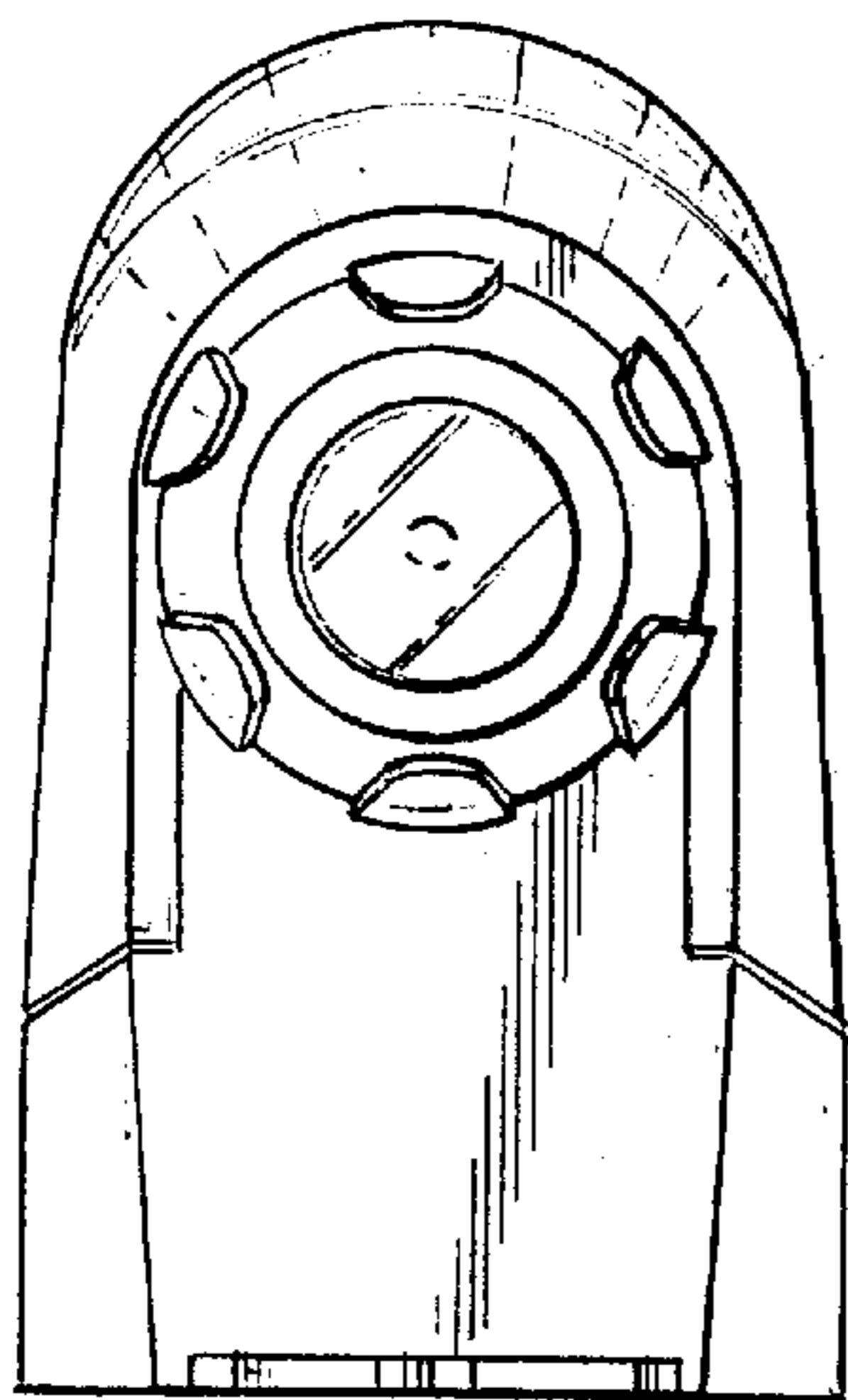
The broken lines shown in FIGS. 1, 2, 6 and 7 are for illustrative purposes only and do not form part of the claimed design.

**1 Claim, 3 Drawing Sheets**

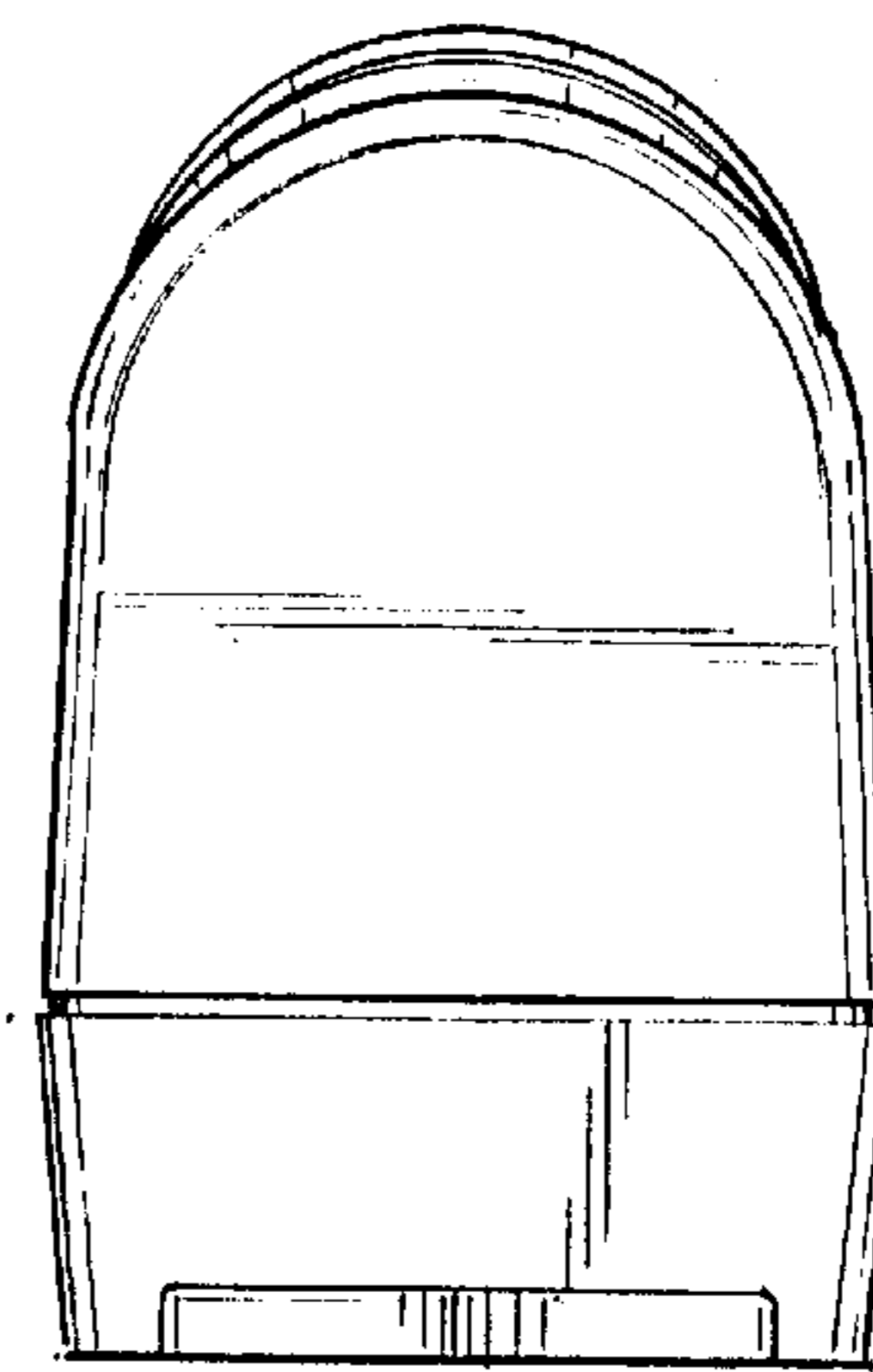




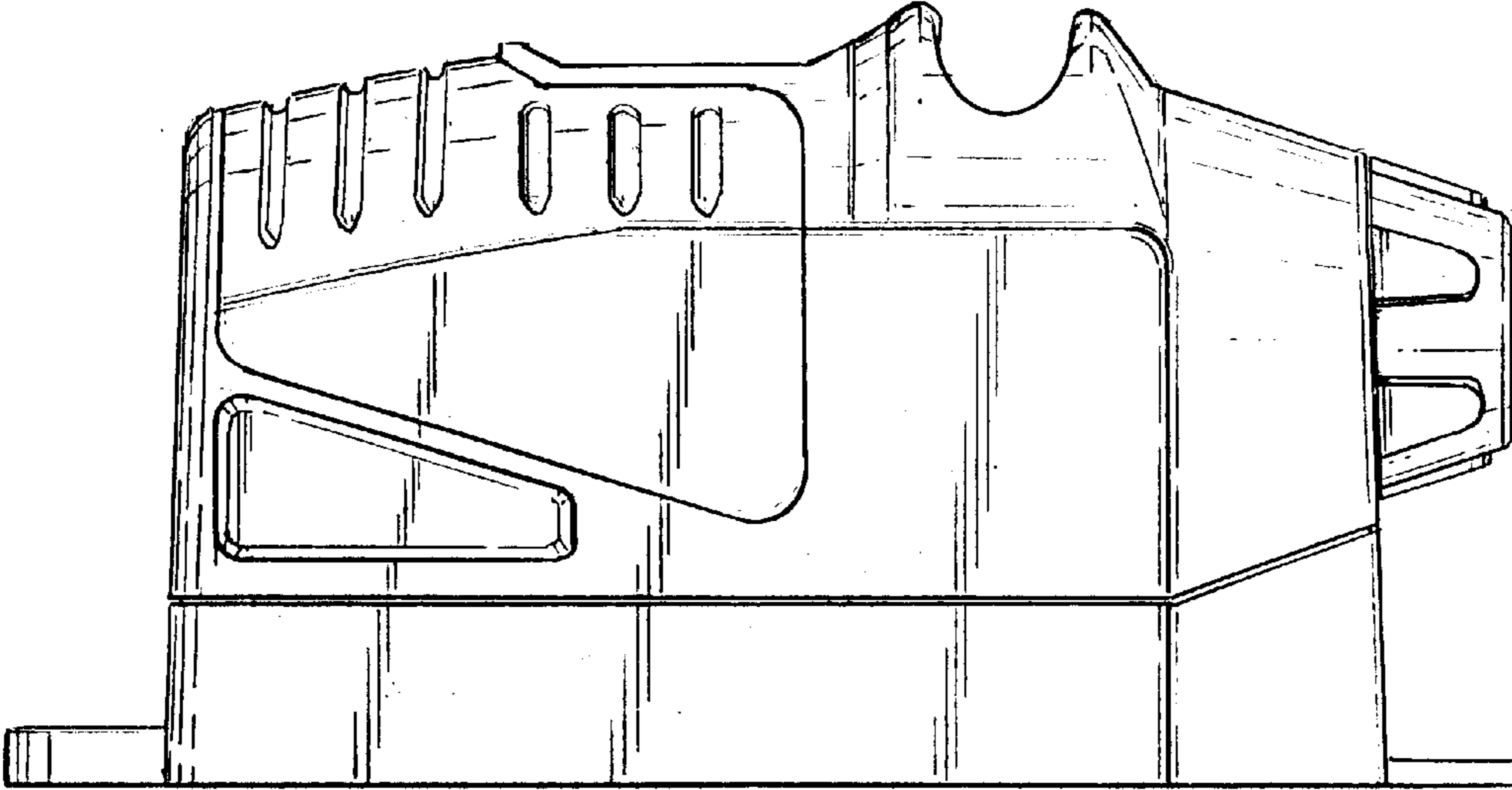
**FIG. 1**



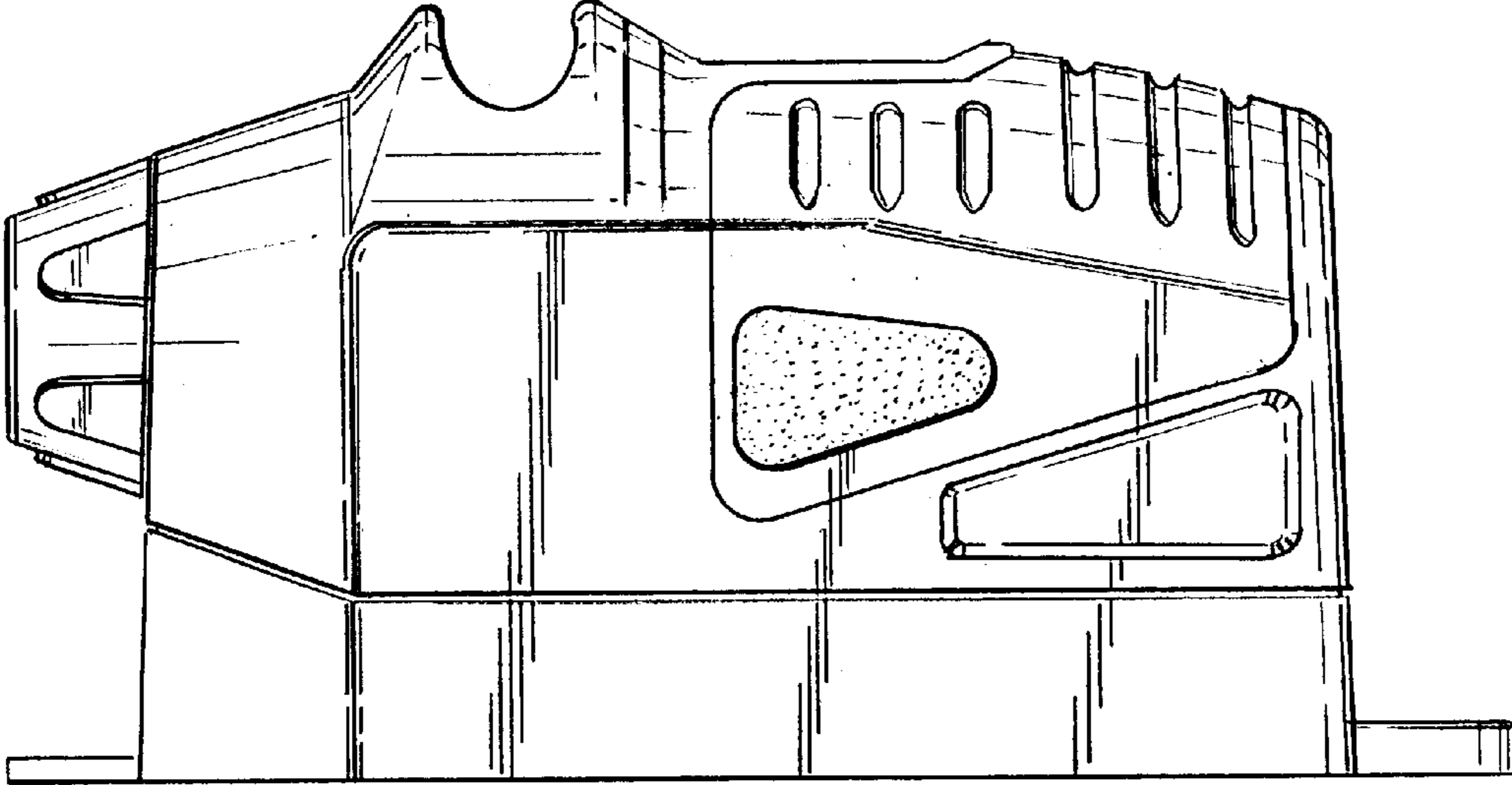
**FIG. 2**



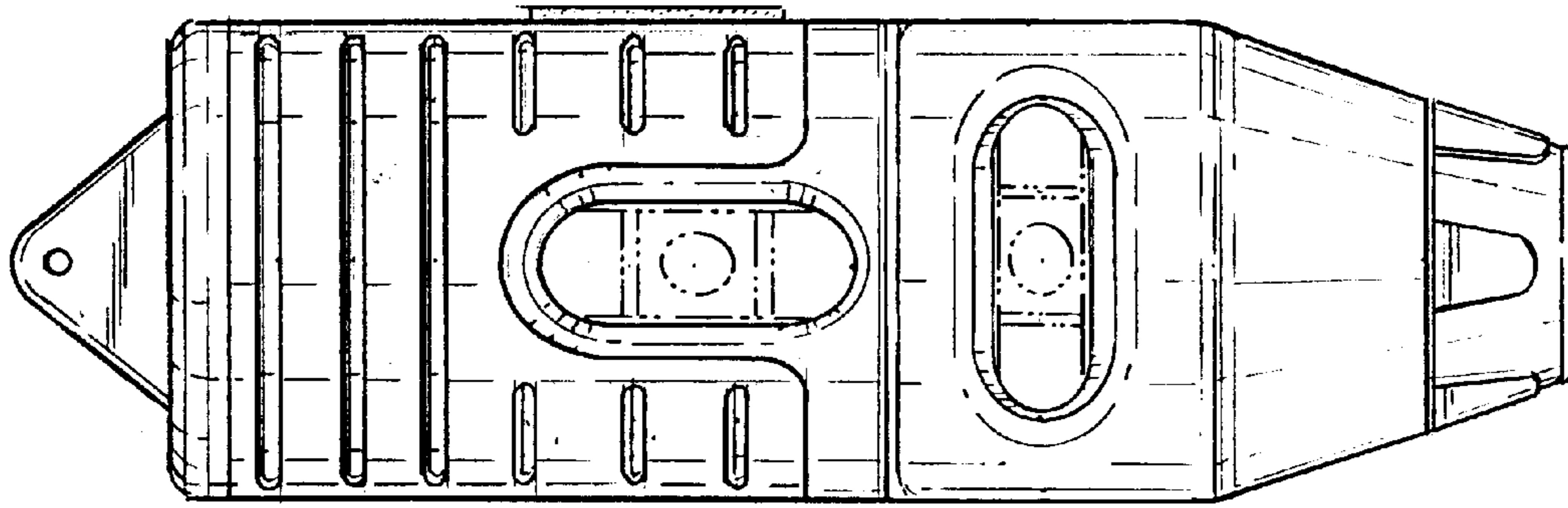
**FIG. 3**



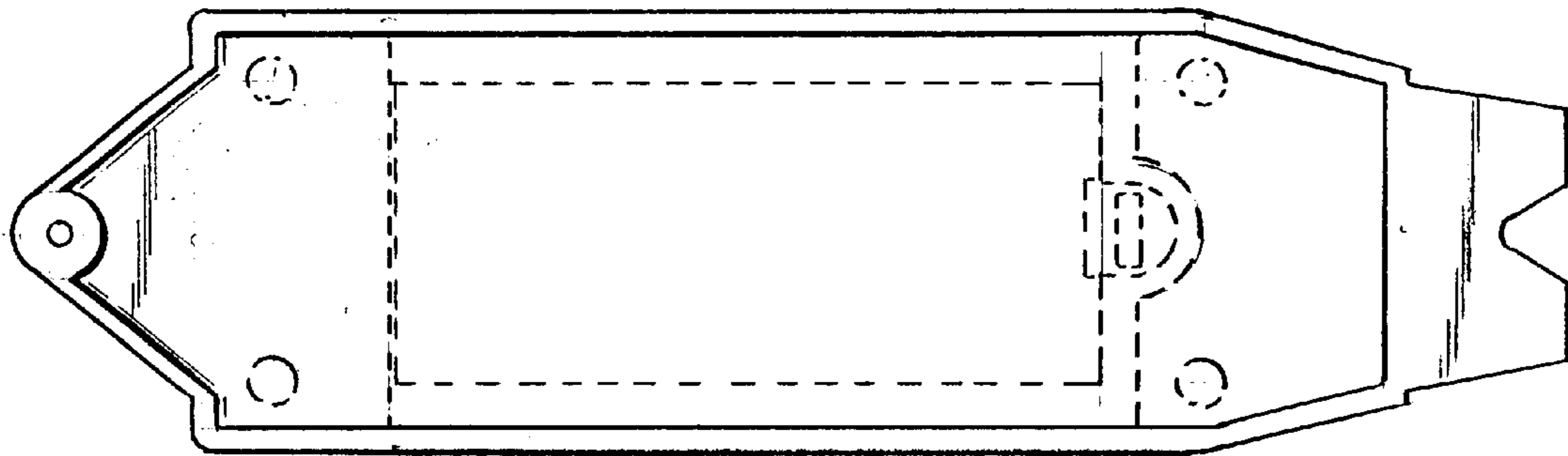
**FIG. 4**



**FIG. 5**



**FIG. 6**



**FIG. 7**