

US00D499029S

(12) **United States Design Patent**  
**Maarberg**

(10) **Patent No.:** **US D499,029 S**

(45) **Date of Patent:** **\*\* Nov. 30, 2004**

(54) **SPAGHETTI MEASURER**  
(76) **Inventor:** **Arnold H. Maarberg**, 5307 Martingale  
La., Apopka, FL (US) 32712  
(\*\*) **Term:** **14 Years**

4,387,512 A 6/1983 Gorski et al.  
4,425,545 A \* 1/1984 Scalese ..... 33/555.2  
D308,006 S \* 5/1990 Robbins ..... D10/46.3  
D345,512 S \* 3/1994 Gaenzle ..... D10/64  
D354,188 S \* 1/1995 Koehler ..... D6/553  
5,992,035 A 11/1999 Otsu

\* cited by examiner

*Primary Examiner*—Terry A. Wallace  
(74) *Attorney, Agent, or Firm*—Stephen R. Greiner

(21) **Appl. No.:** **29/201,383**  
(22) **Filed:** **Mar. 16, 2004**  
(51) **LOC (7) Cl.** ..... **10-04**  
(52) **U.S. Cl.** ..... **D10/46.3; D7/707**  
(58) **Field of Search** ..... D10/46.2, 46.3,  
D10/61, 64; D6/512, 524–540, 553, 556–558,  
566, 574; 33/501, 524, 525, 759, 555.2,  
555.1, 501.8, 529, 760, 501.45; D7/600.1,  
707, 708

(57) **CLAIM**

The ornamental design for a spaghetti measurer, as shown and described.

**DESCRIPTION**

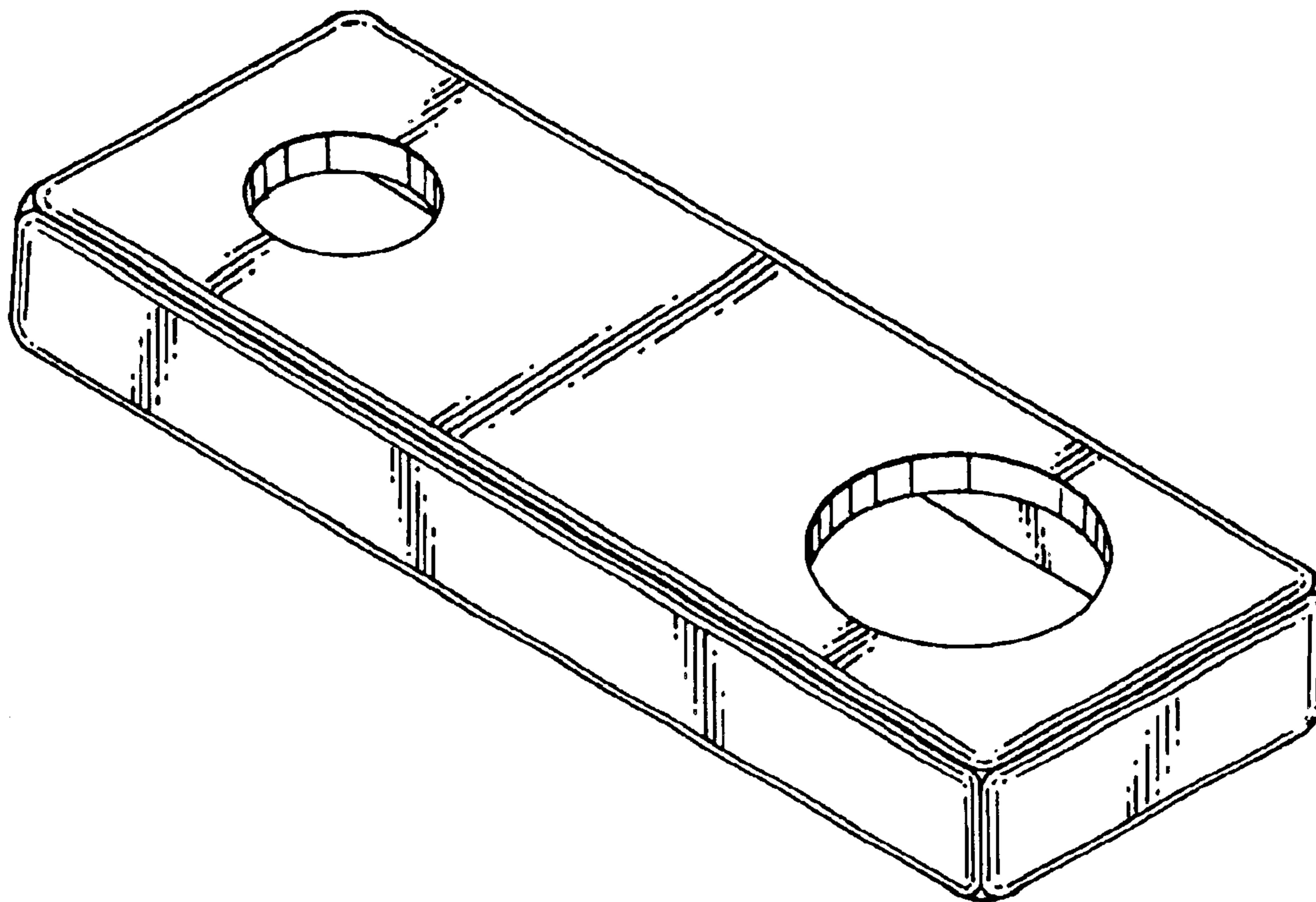
FIG. 1 is a perspective view of a spaghetti measurer showing my new design;  
FIG. 2 is a right side elevational view thereof;  
FIG. 3 is a left side elevational view thereof;  
FIG. 4 is a front elevational view thereof;  
FIG. 5 is a rear elevational view thereof;  
FIG. 6 is a top view thereof;  
FIG. 7 is a bottom view thereof; and,  
FIG. 8 is a cross-sectional view taken along line 8—8 of FIG. 7.

(56) **References Cited**

**U.S. PATENT DOCUMENTS**

2,018,106 A \* 10/1935 Zahodiakin ..... 33/555.2  
2,679,694 A \* 6/1954 Cybulski ..... 33/501.45  
3,874,085 A 4/1975 Atkins  
D254,116 S 2/1980 Daenen  
4,214,369 A 7/1980 Wasik et al.  
D263,784 S \* 4/1982 Butler et al. .... D7/708  
4,334,361 A 6/1982 Gorski et al.  
D266,820 S 11/1982 Ferrin

**1 Claim, 2 Drawing Sheets**



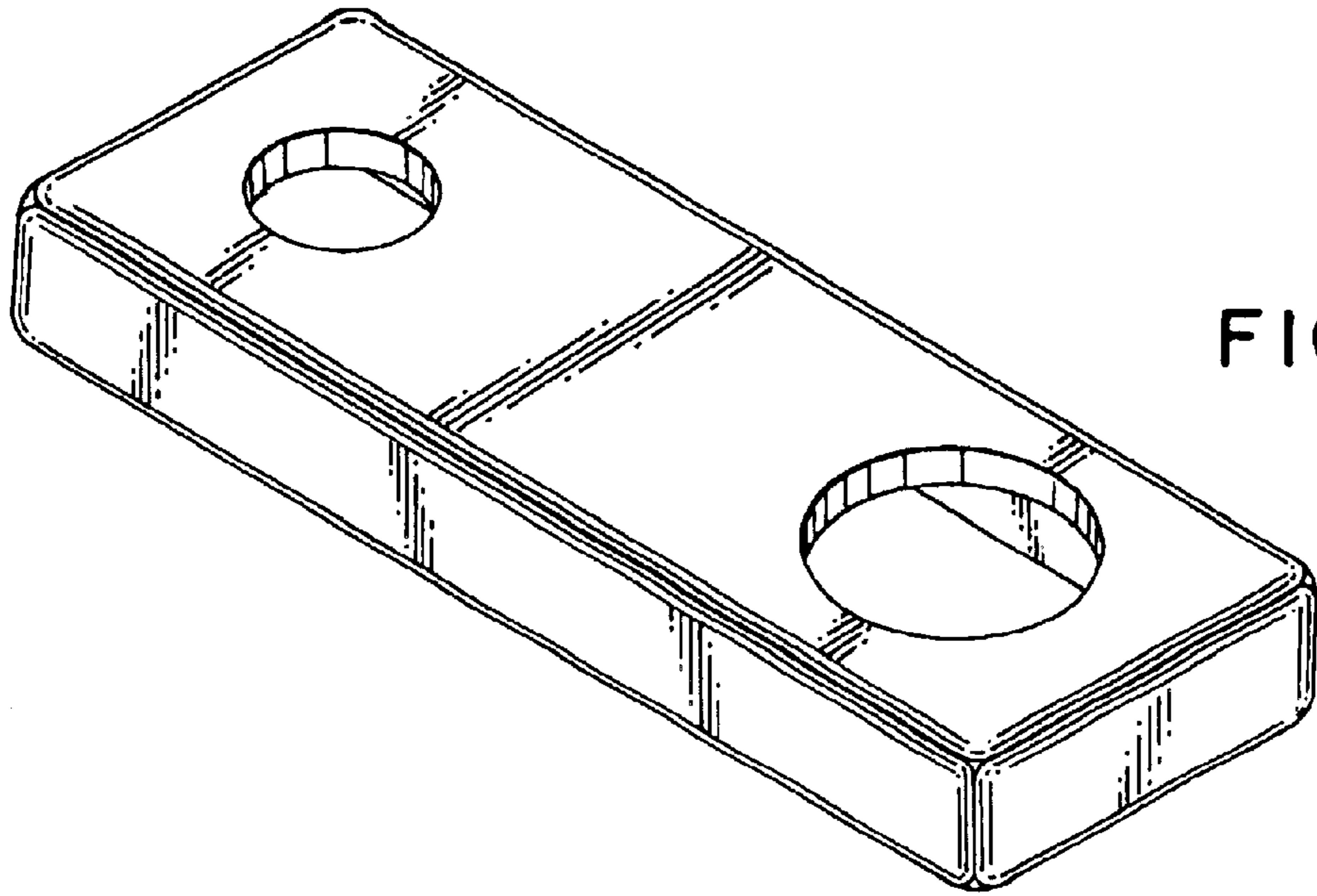


FIG. 1

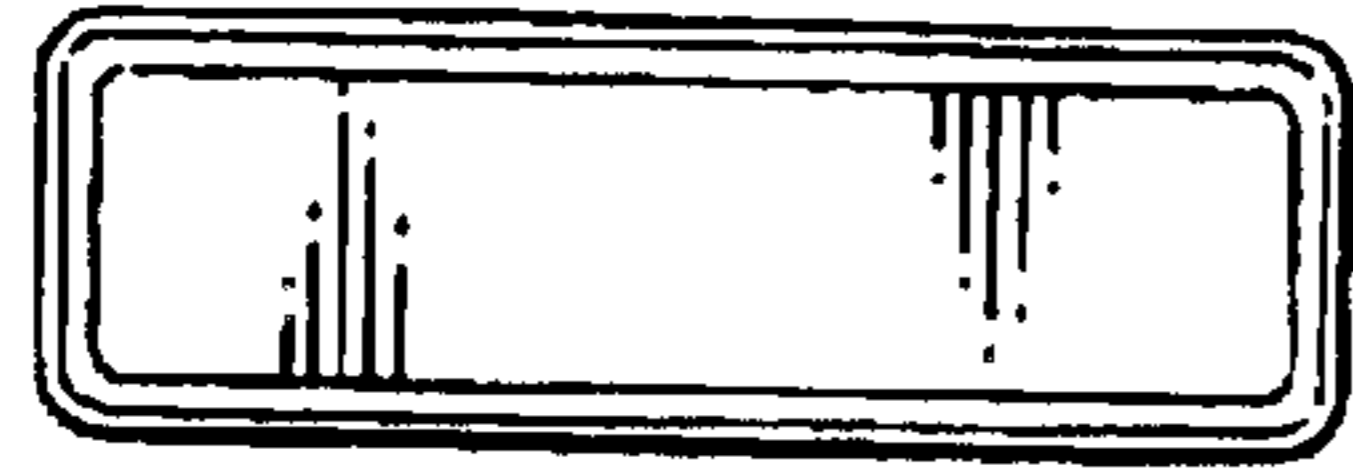


FIG. 2

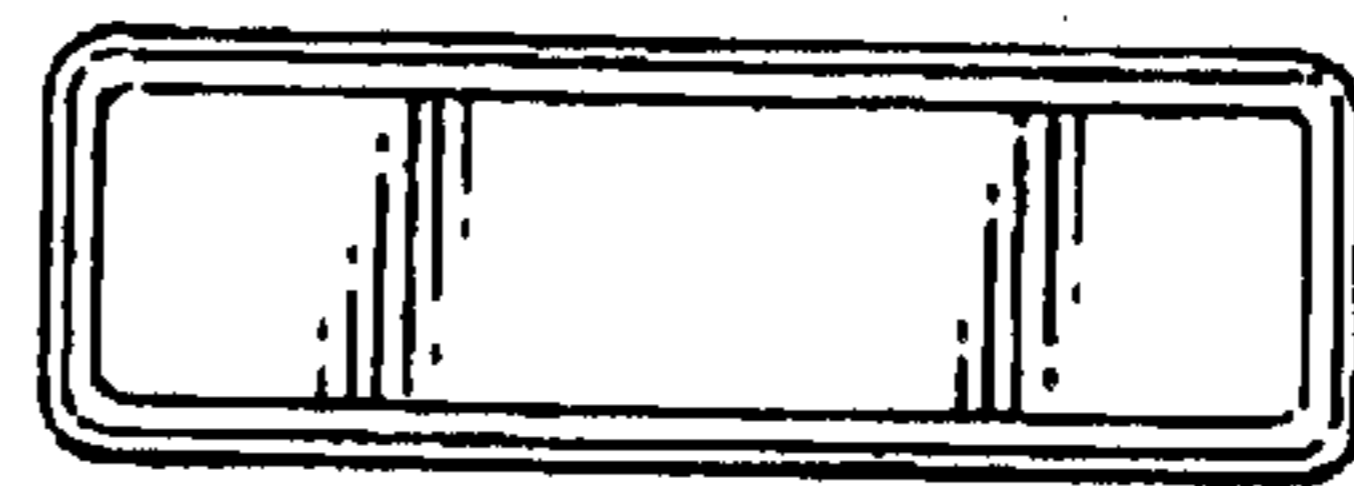


FIG. 3

FIG. 4

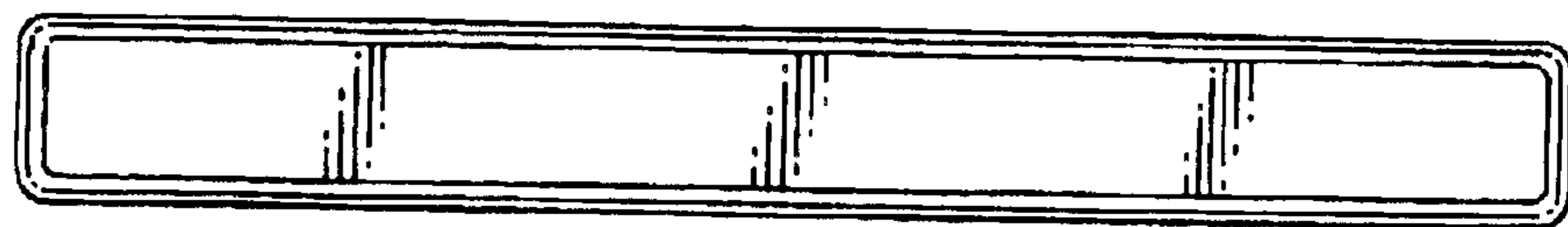


FIG. 5

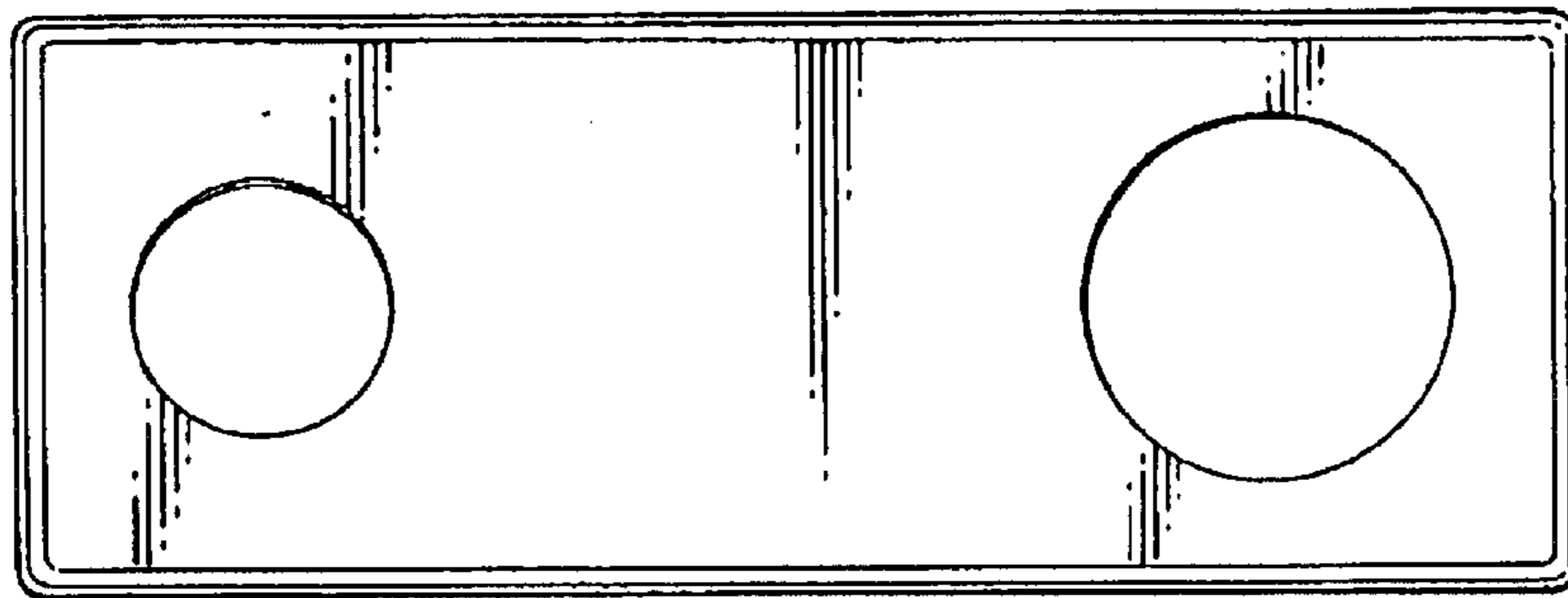


FIG. 6

FIG. 7

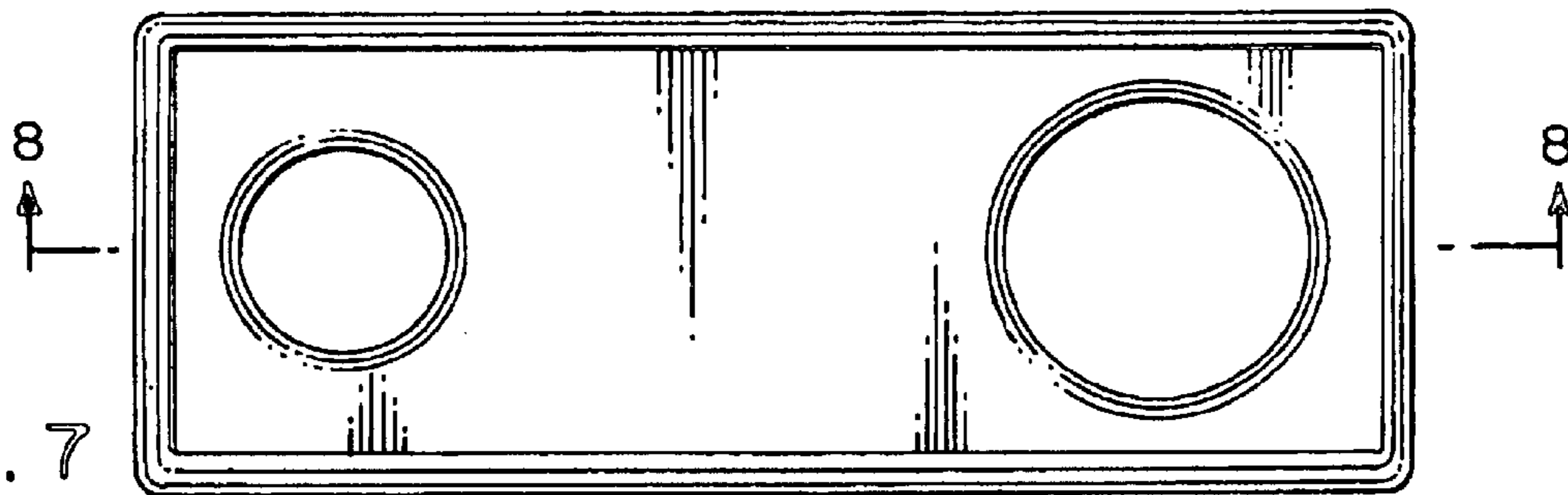


FIG. 8

