

US00D499027S

(12) **United States Design Patent** (10) **Patent No.:** **US D499,027 S**
Walsh et al. (45) **Date of Patent:** **** Nov. 30, 2004**

| | | | |
|---|-------------|-----------|-------------------------------|
| (54) CONTAINER HANDLE | 3,924,775 A | 12/1975 | Andreaggi et al. |
| | 4,033,473 A | 7/1977 | Raley et al. |
| (75) Inventors: Michael J. Walsh , Chesterfield, MO | 4,179,040 A | * 12/1979 | Bateman et al. 220/660 X |
| (US); Mark A. Gilbertson , Sauk City, WI (US); | 4,189,804 A | 2/1980 | Flowerday |
| Michael J. Brock , Madison, WI (US); | D267,631 S | 1/1983 | Beechuk |
| Scott G. Manke , Sun Prairie, WI (US) | 4,380,304 A | 4/1983 | Anderson |
| | 4,399,926 A | 8/1983 | Eidels-Dubovoy |
| (73) Assignee: Masterchem Industries, Inc. , Imperial, MO (US) | 4,474,303 A | 10/1984 | Maccise |
| | 4,648,512 A | * 3/1987 | Tarozzi et al. 206/542 |
| (**) Term: 14 Years | 4,941,586 A | 7/1990 | Tarna |
| | D323,115 S | 1/1992 | Kelsey |
| (21) Appl. No.: 29/167,979 | D323,456 S | 1/1992 | Gonda |
| | 5,108,009 A | 4/1992 | Davidson et al. |
| (22) Filed: Sep. 25, 2002 | 5,176,281 A | 1/1993 | Fiore |
| | 5,226,553 A | 7/1993 | Fiore |

(List continued on next page.)

(51) **LOC (7) Cl.** **09-01**
(52) **U.S. Cl.** **D9/532; D9/516**
(58) **Field of Search** D32/10, 11; D34/53-54;
D9/435, 516, 521, 529, 549, 550, 557-558,
571, 574-575, 338, 449, 533, 525-526,
540, 543, 414, 417, 560; 215/383-384,
396, 398, 400; 220/660, 675; 222/206,
214-215

FOREIGN PATENT DOCUMENTS

GB 2251431 7/1992

Primary Examiner—Philip S. Hyder
Assistant Examiner—Carol Rademaker
(74) *Attorney, Agent, or Firm*—Foley & Lardner LLP

(57) **CLAIM**

We claim the ornamental design for a container handle, as shown and described.

(56) **References Cited**

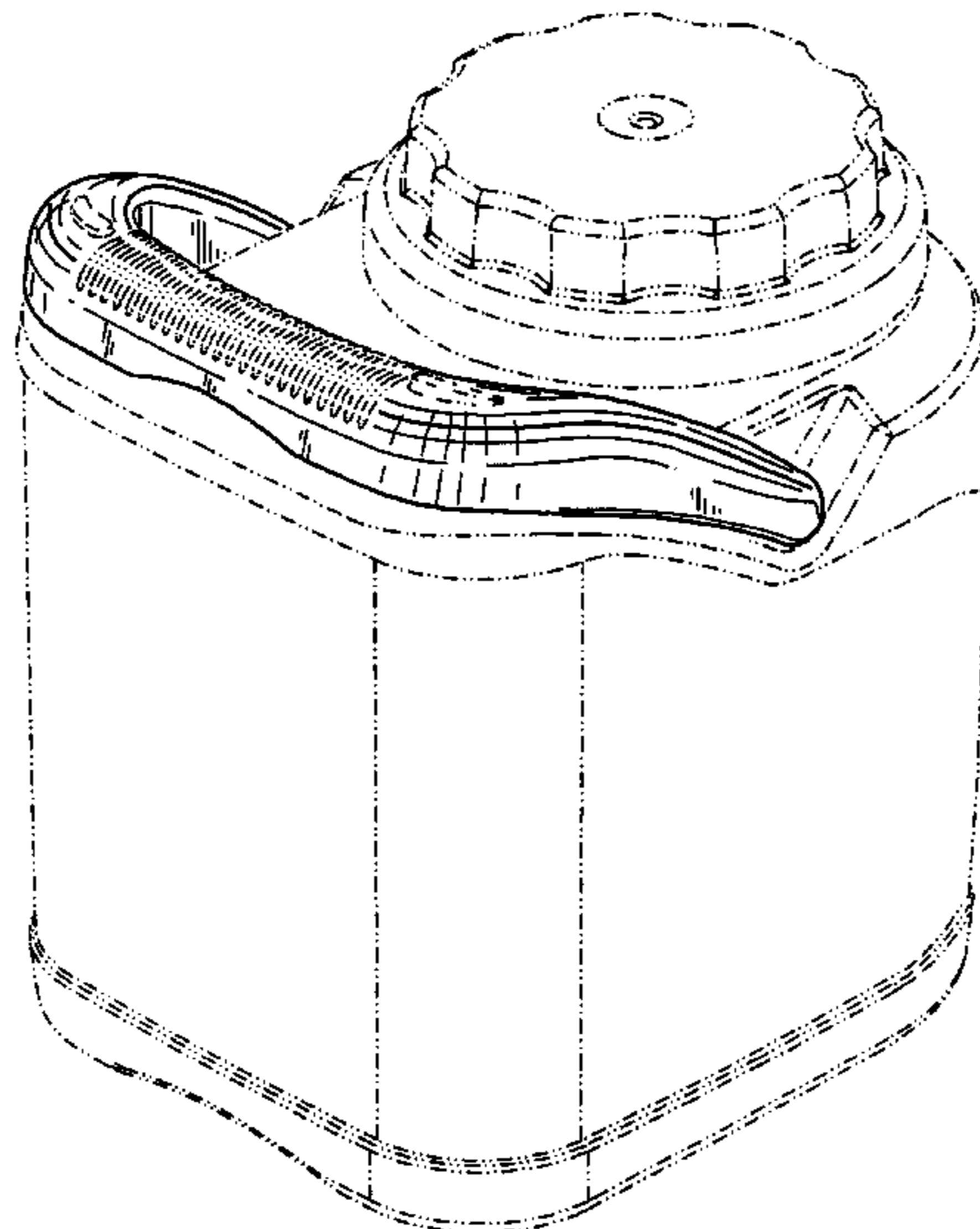
U.S. PATENT DOCUMENTS

| | | |
|-------------|---------|------------------|
| 1,488,397 A | 3/1924 | Judge et al. |
| 2,120,487 A | 6/1938 | Conner |
| D174,365 S | 3/1955 | Wilson |
| 2,935,223 A | 5/1960 | Crowley |
| 3,000,527 A | 9/1961 | Jennings et al. |
| 3,138,284 A | 6/1964 | Henchert |
| 3,275,366 A | 9/1966 | Hidding |
| D208,276 S | 8/1967 | Moore |
| 3,412,887 A | 11/1968 | Swartwood et al. |
| 3,438,480 A | 4/1969 | Chabrelot |
| 3,451,590 A | 6/1969 | Johnson et al. |
| 3,612,595 A | 10/1971 | Updegraff et al. |
| 3,807,679 A | 4/1974 | Burke et al. |
| 3,866,791 A | 2/1975 | Roper et al. |

DESCRIPTION

FIG. 1 is a perspective view of the container handle; FIG. 2 is a right side view of the design of FIG. 1, the left view being a mirror image of the right view; FIG. 3 is a front view of the container handle; FIG. 4 is a rear view of the container handle; and, FIG. 5 is a top view of the container handle. The ornamental design which is claimed is shown in solid lines in the drawings. The broken lines in the drawings are for illustrative purposes only and form no part of the claimed design.

1 Claim, 3 Drawing Sheets



US D499,027 S

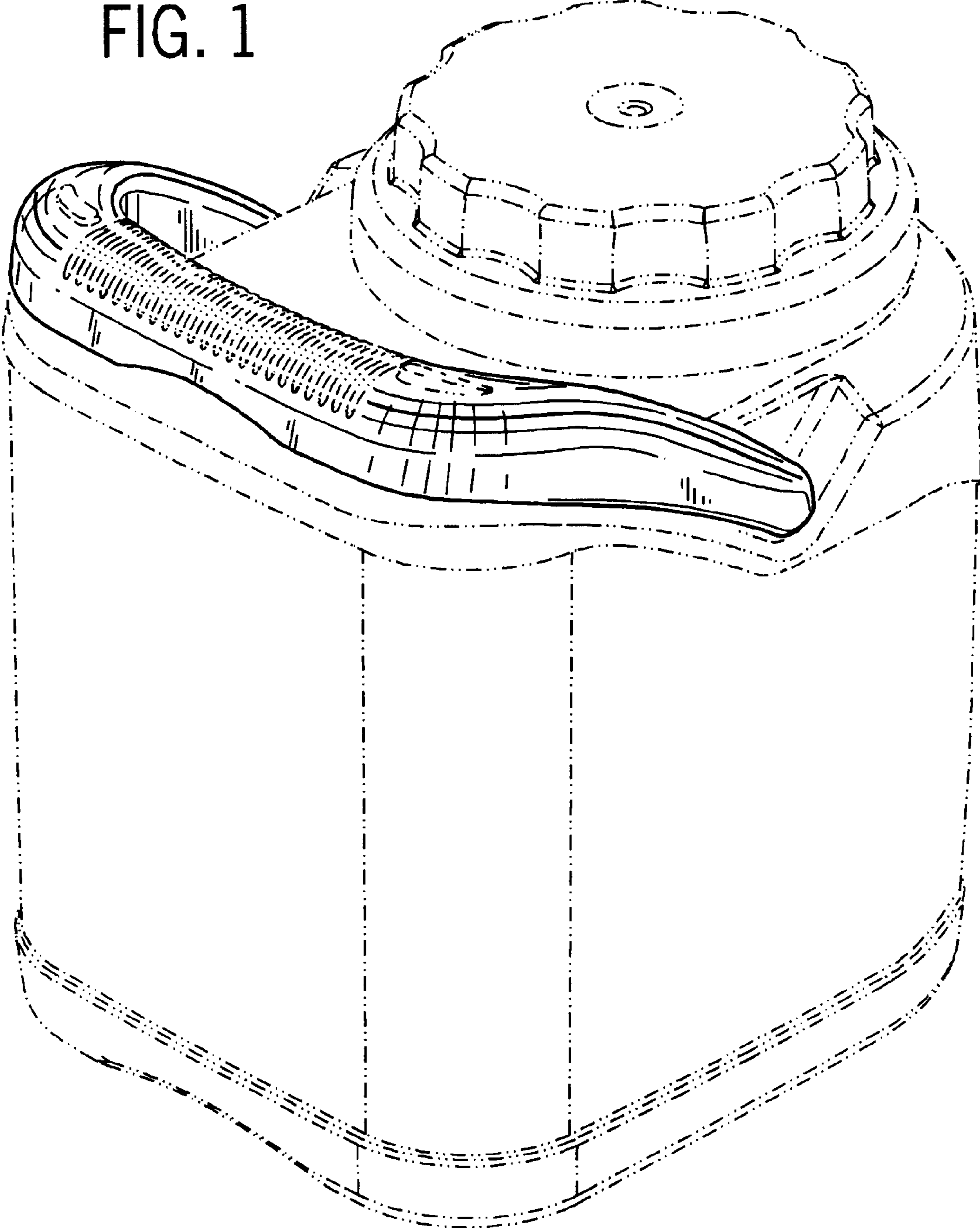
Page 2

U.S. PATENT DOCUMENTS

| | | | | | | | | |
|-------------|---|---------|---------------------|-----------|-----------------|----------|-------------------|--------|
| 5,269,438 A | * | 12/1993 | Kelsey | 220/766 | D405,014 S | 2/1999 | Nask et al. | |
| 5,299,710 A | | 4/1994 | Welsch et al. | | 5,896,993 A | 4/1999 | Nask et al. | |
| 5,337,910 A | | 8/1994 | Picozza et al. | | D415,687 S | 10/1999 | Lai et al. | |
| 5,344,041 A | | 9/1994 | Luburic et al. | | D428,817 S | 8/2000 | Olson et al. | |
| D354,914 S | * | 1/1995 | Newman | D9/503 | D431,472 S | 10/2000 | Cain et al. | |
| 5,377,858 A | * | 1/1995 | Morris, Sr. | 220/254.8 | 6,138,853 A | 10/2000 | Frechette | |
| D355,366 S | | 2/1995 | Bainton | | 6,223,945 B1 | 5/2001 | Giblin et al. | |
| 5,445,425 A | | 8/1995 | Lyver | | 6,230,925 B1 | 5/2001 | Hardigg et al. | |
| D362,180 S | | 9/1995 | Haines | | RE37,518 E | 1/2002 | Hardigg et al. | |
| 5,461,755 A | | 10/1995 | Hardigg et al. | | D469,233 S | * 1/2003 | Begnani | D32/53 |
| 5,469,986 A | | 11/1995 | Jang | | 6,530,500 B2 | 3/2003 | Bravo et al. | |
| 5,505,331 A | | 4/1996 | Rathbun | | D474,115 S | * 5/2003 | Walsh et al. | D9/532 |
| 5,566,861 A | | 10/1996 | Serano | | D475,628 S | 6/2003 | Walsh et al. | |
| 5,637,420 A | | 6/1997 | Jones, Jr. et al. | | D478,820 S | 8/2003 | Walsh et al. | |
| D382,810 S | * | 8/1997 | Aldrich et al. | D9/529 | 2002/0195471 A1 | 12/2002 | Nottingham et al. | |
| D393,520 S | | 4/1998 | Christy | | 2003/0102339 A1 | 6/2003 | Walsh et al. | |
| 5,787,839 A | | 8/1998 | Magnant et al. | | 2003/0102340 A1 | 6/2003 | Walsh et al. | |
| 5,823,345 A | | 10/1998 | Nask et al. | | 2003/0121941 A1 | 7/2003 | Walsh et al. | |

* cited by examiner

FIG. 1



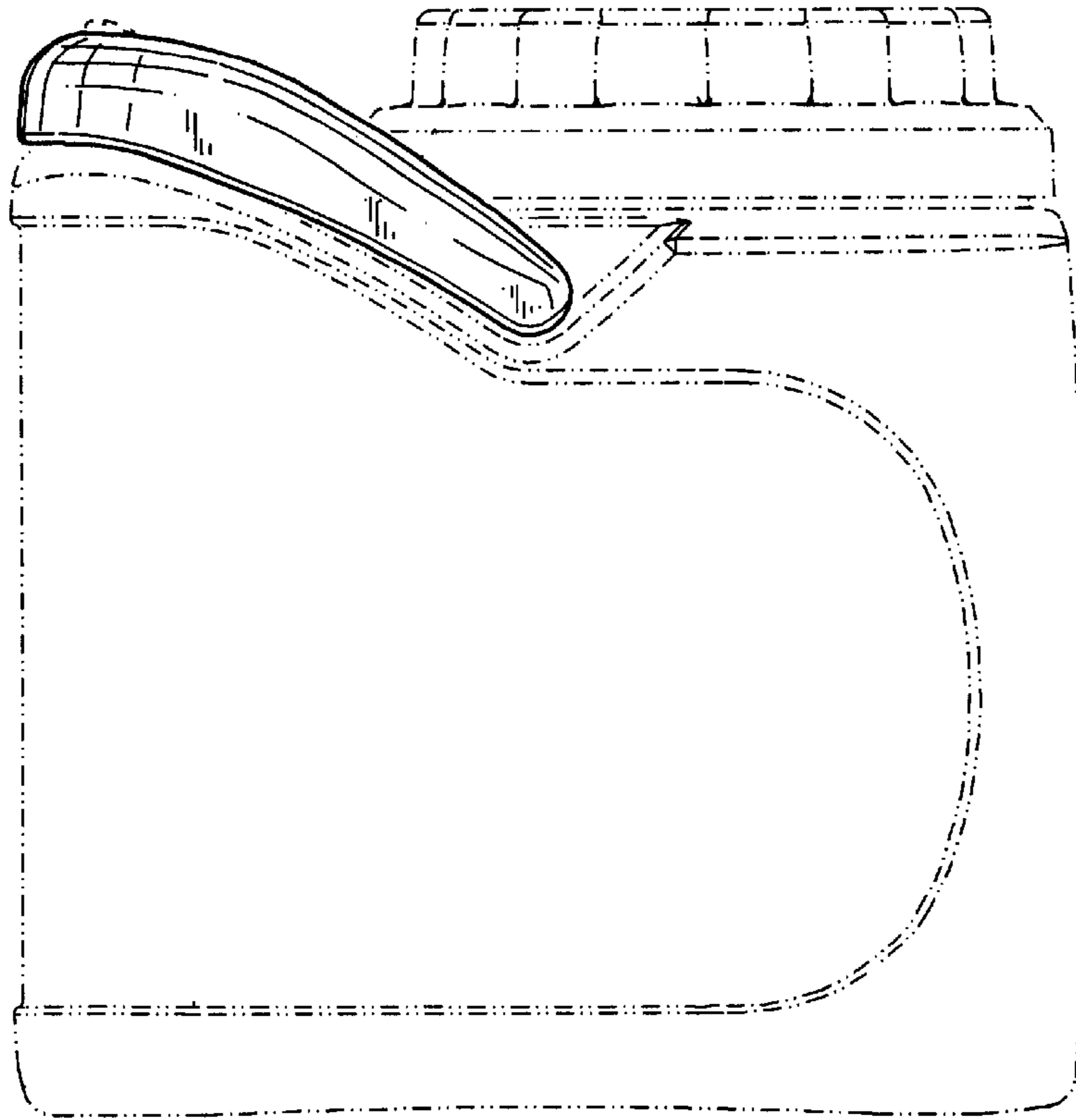


FIG. 2

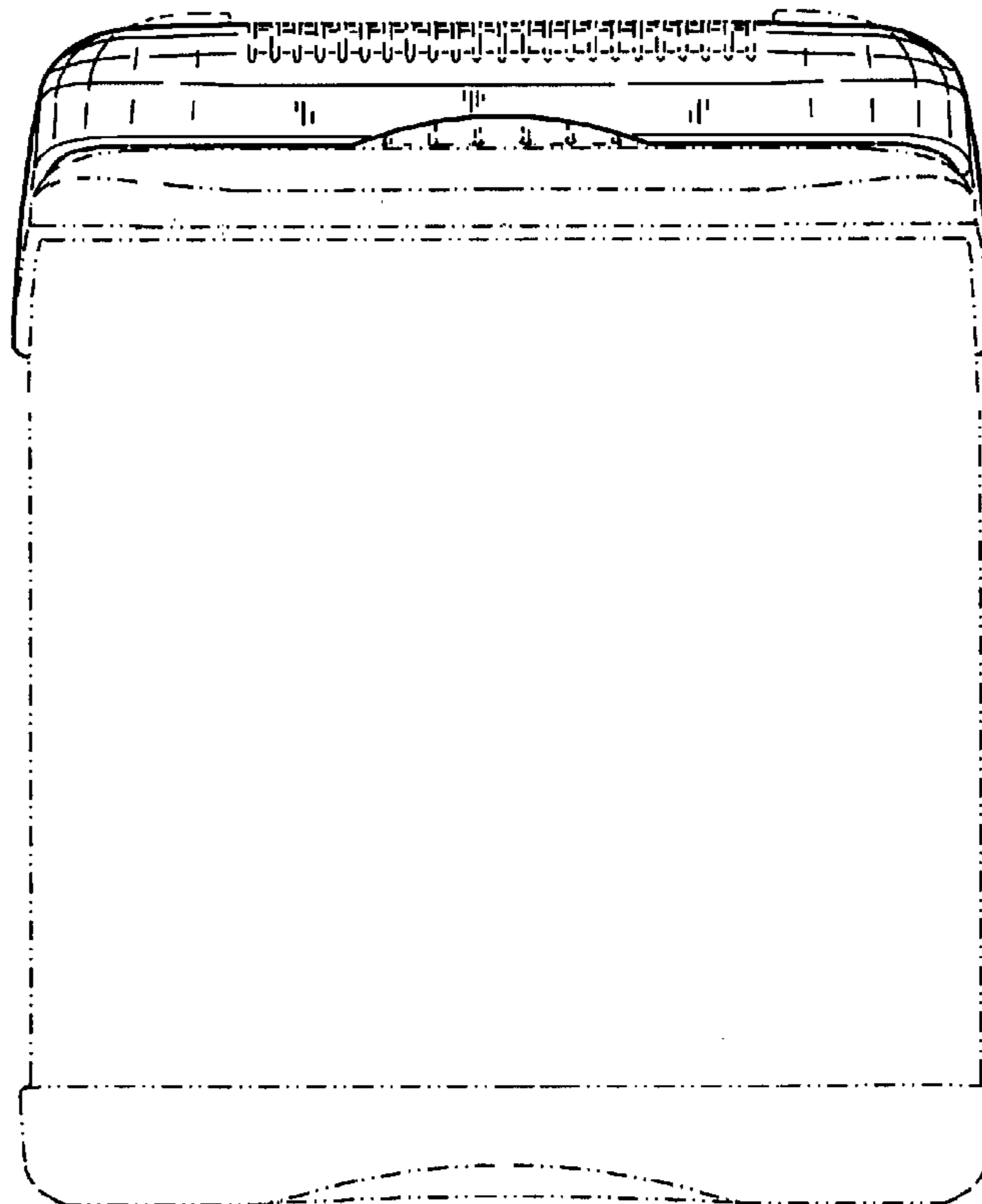


FIG. 3

FIG. 4

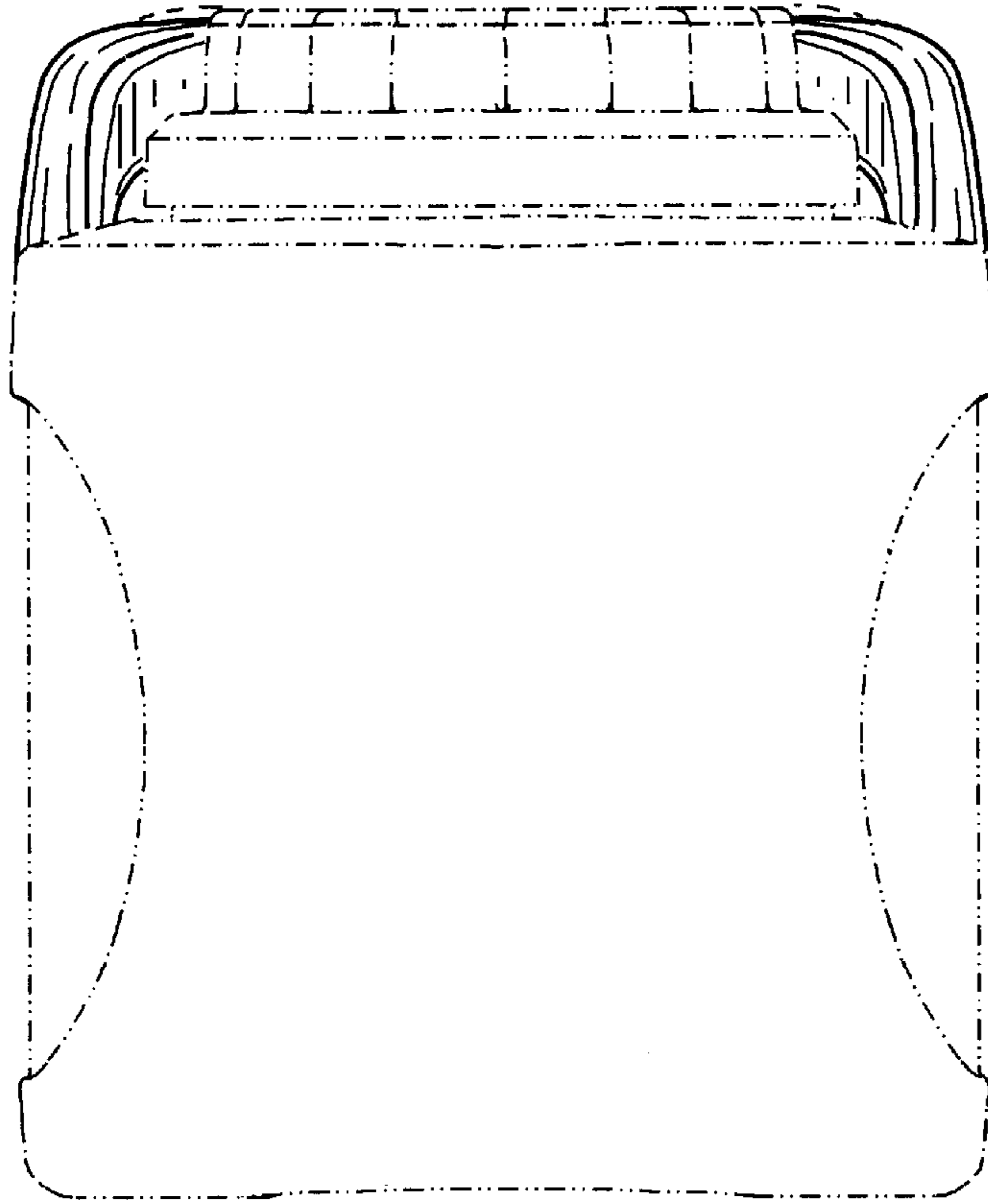


FIG. 5

