

US00D499025S

(12) **United States Design Patent**
Houk et al.

(10) **Patent No.: US D499,025 S**

(45) **Date of Patent: ** *Nov. 30, 2004**

(54) **TOBACCO CAN**

(75) Inventors: **George B. Houk**, Murfreesboro, TN (US); **Gregory A. Pace**, Nunnally, TN (US)

(73) Assignee: **U.S. Smokeless Tobacco Company**, Greenwich, CT (US)

(*) Notice: This patent is subject to a terminal disclaimer.

(**) Term: **14 Years**

(21) Appl. No.: **29/177,746**

(22) Filed: **Mar. 14, 2003**

(51) **LOC (7) Cl. 09-03**

(52) **U.S. Cl. D9/520; D9/539**

(58) **Field of Search** D9/516, 500, 549, D9/574-575, 339, 414, 428; D27/185, 186, 189, 191; 206/242; 220/212, 306, 352, 366, 377, 695

(56) **References Cited**

U.S. PATENT DOCUMENTS

- 660,739 A * 10/1900 Taylor 40/307
- 1,975,703 A * 10/1934 Vitale 220/602
- 2,047,951 A * 7/1936 Eberhart 220/377
- 3,122,990 A * 3/1964 Fried 99/369

- 4,098,421 A * 7/1978 Foster 215/321
- D291,971 S * 9/1987 Smith D9/447
- 5,246,133 A * 9/1993 James 220/377

* cited by examiner

Primary Examiner—Stella Reid

Assistant Examiner—Daniel Bui

(74) *Attorney, Agent, or Firm*—Fitch, Even, Tabin & Flannery

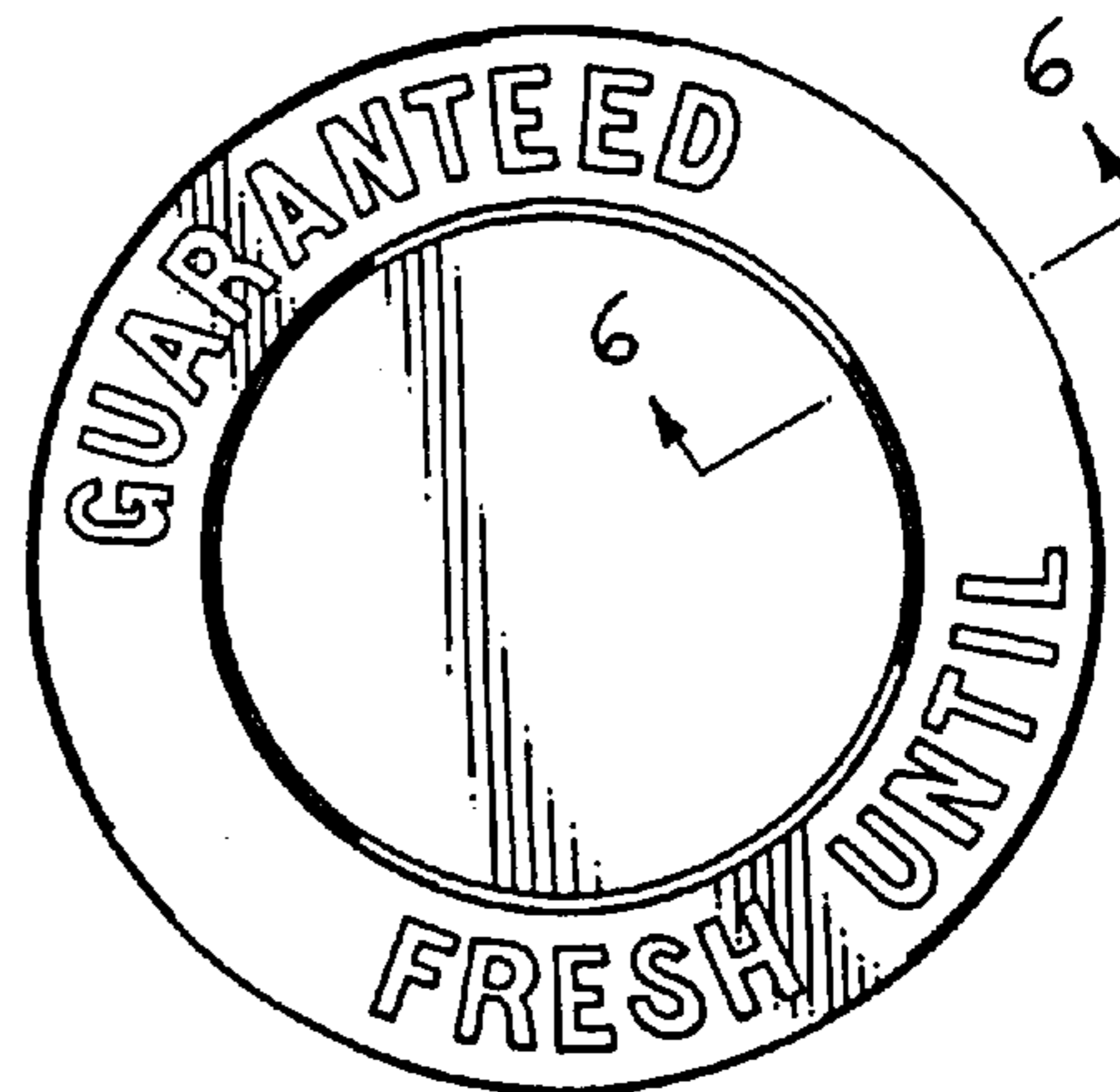
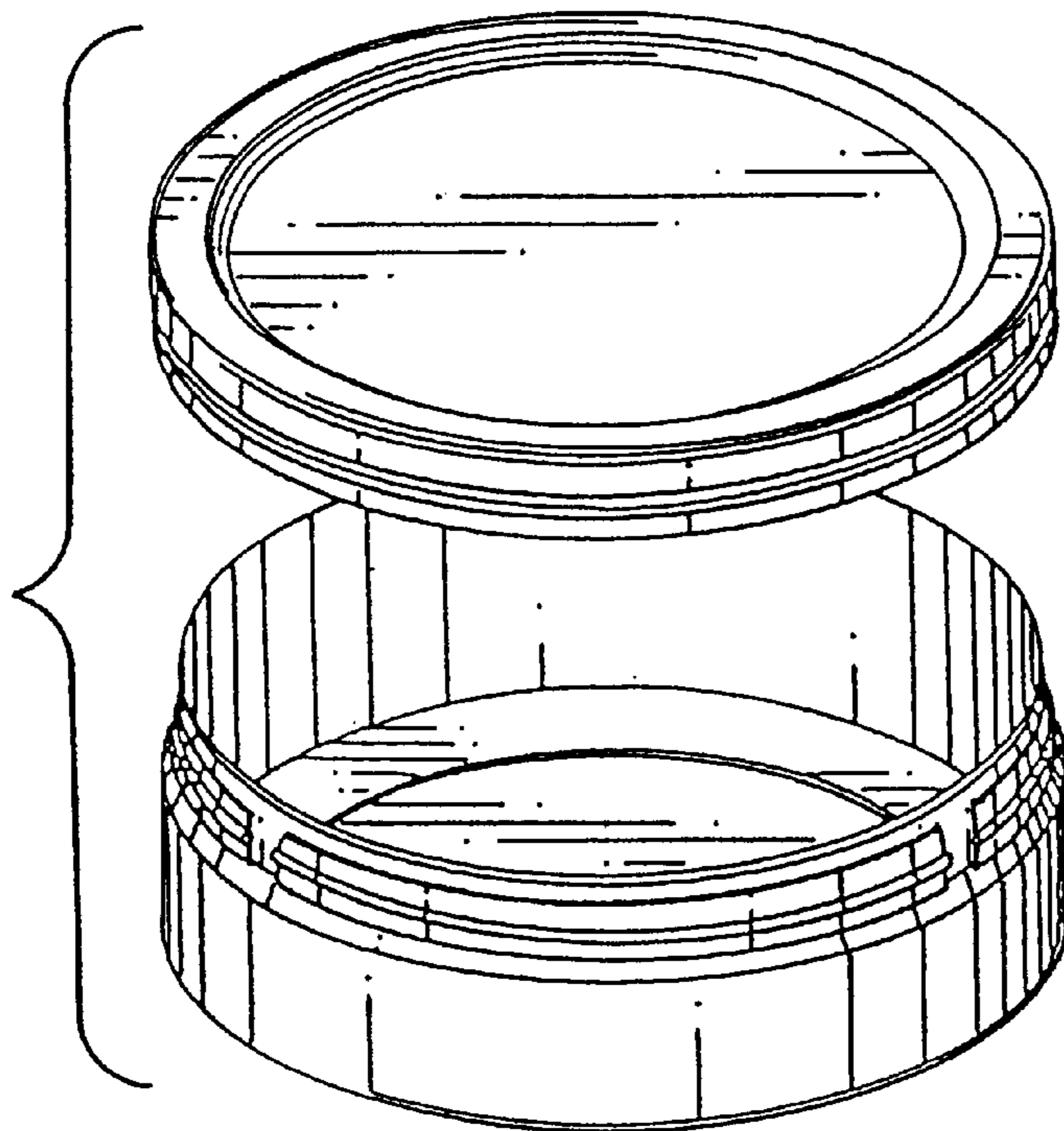
(57) **CLAIM**

I claim the ornamental design for a tobacco can, as shown and described.

DESCRIPTION

FIG. 1 is an exploded perspective view of the tobacco can according to my new design;
 FIG. 2 is a top plane view of the tobacco can of FIG. 1 on a reduced scale with the lid removed;
 FIG. 3 is a top plane view of the tobacco can of FIG. 1 on a reduced scale with the lid on the can;
 FIG. 4 is a side elevation view of the tobacco can of FIG. 1 on a reduced scale;
 FIG. 5 is a bottom plan view of the tobacco can of FIG. 1 on a reduced scale; and,
 FIG. 6 is an enlarged cross-sectional view of the top corner portion of the tobacco can, taken along the line 6—6 in FIG. 5.

1 Claim, 1 Drawing Sheet



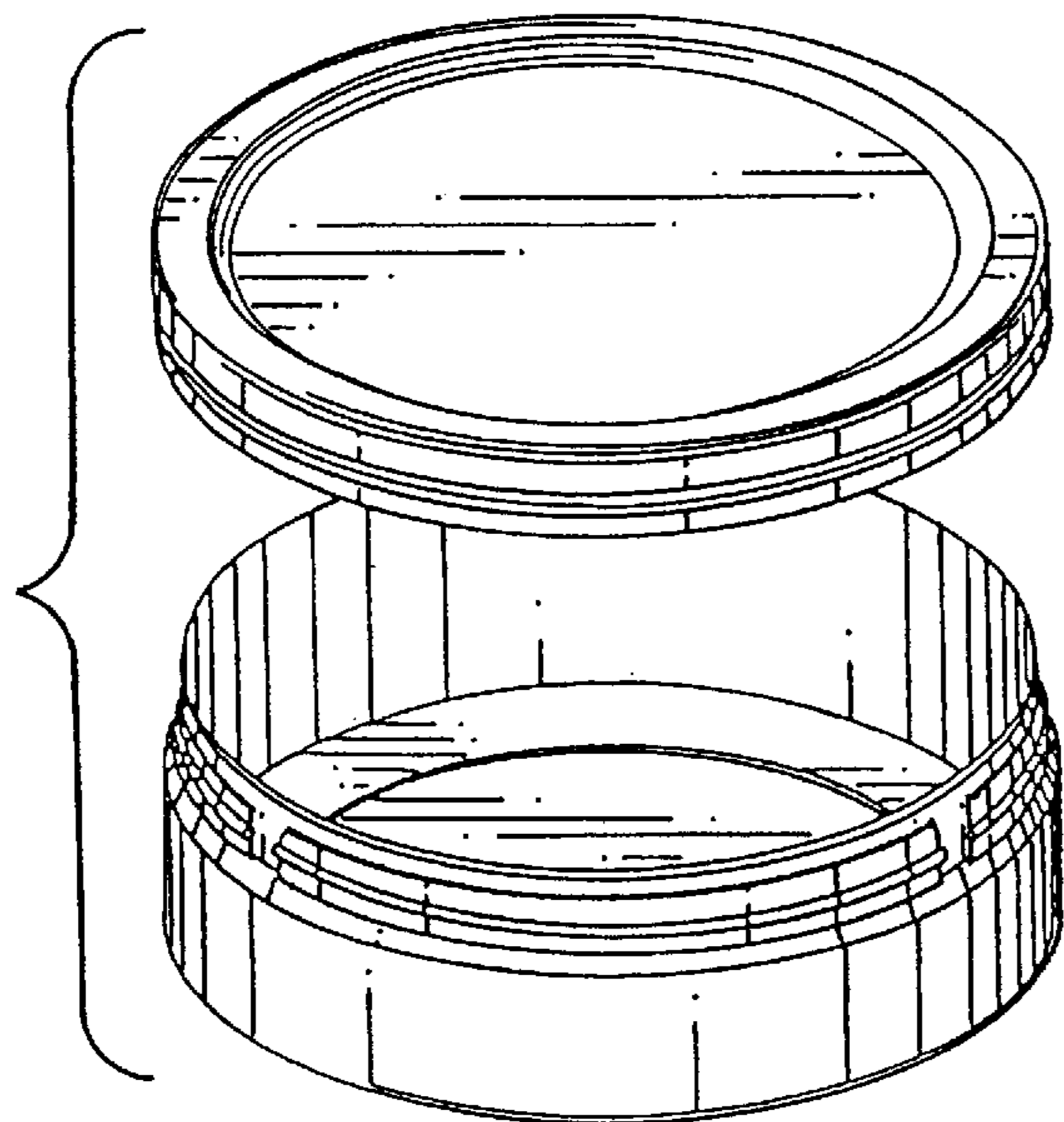


Fig. 1

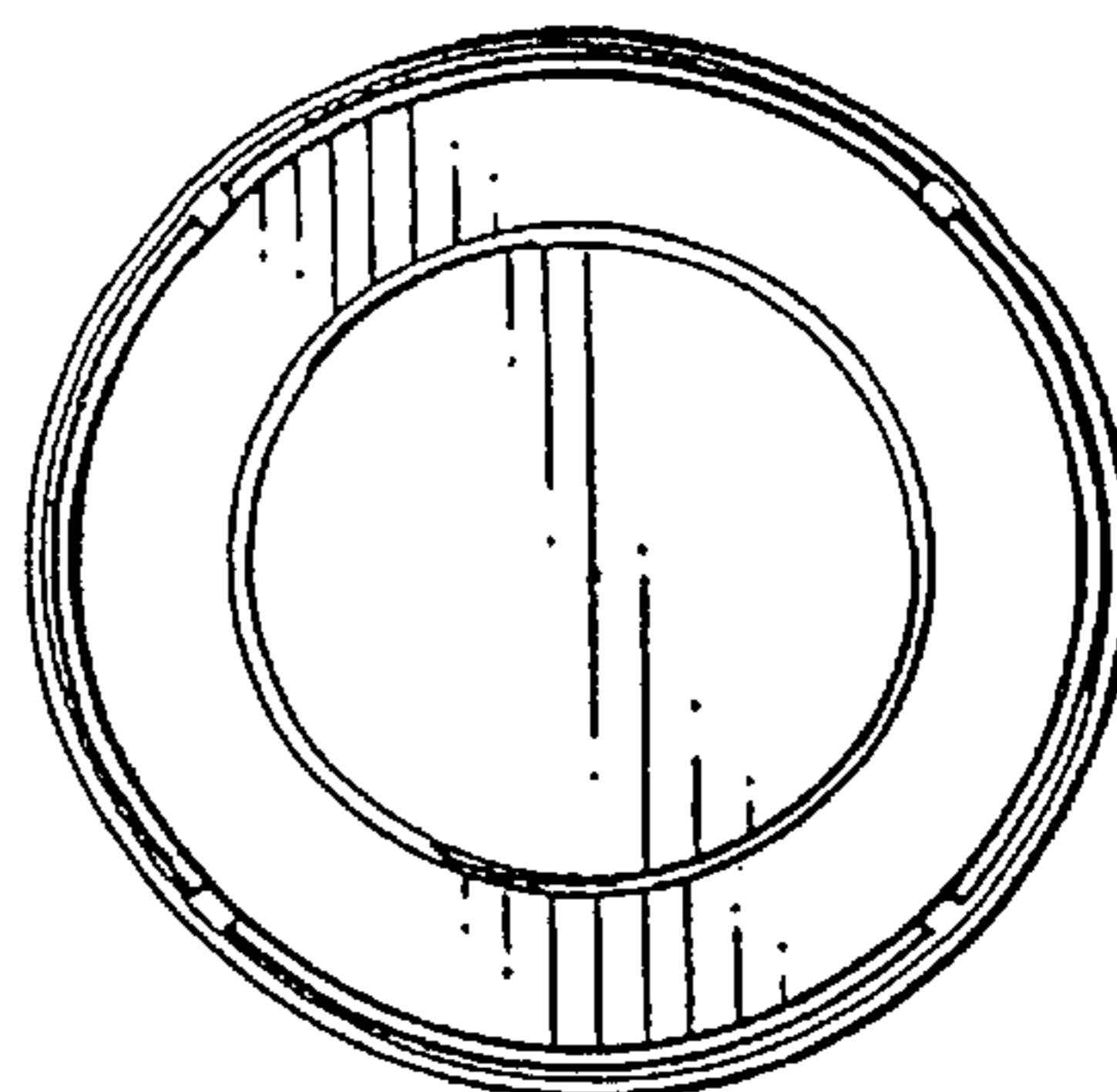


Fig. 2

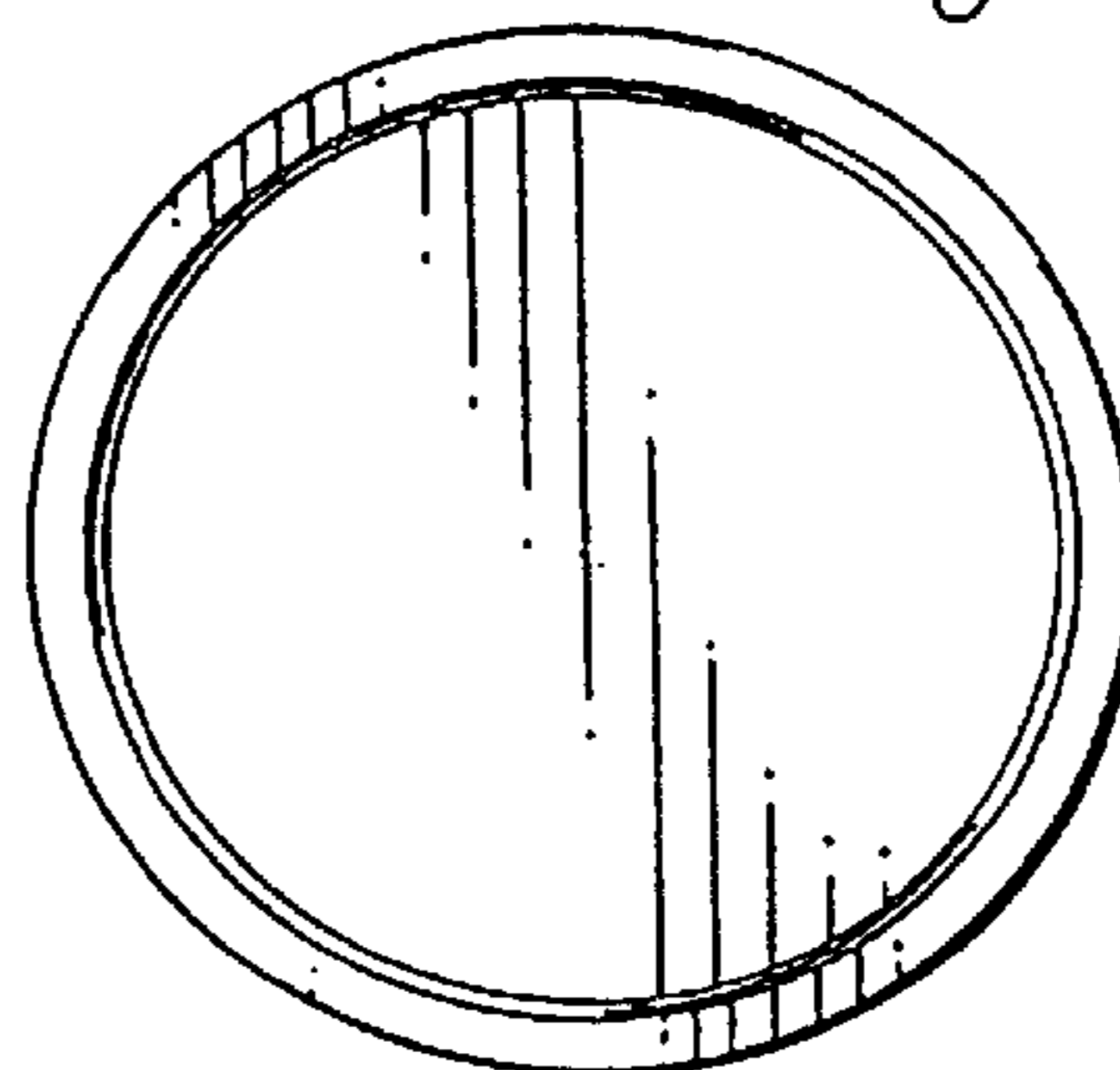


Fig. 3

Fig. 6

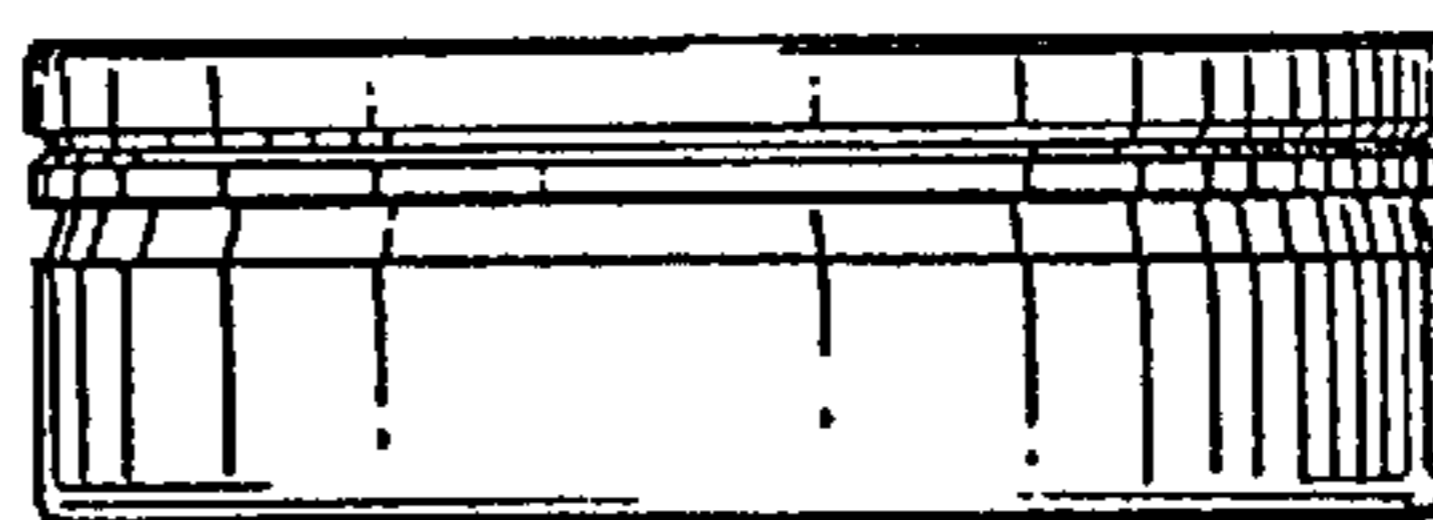
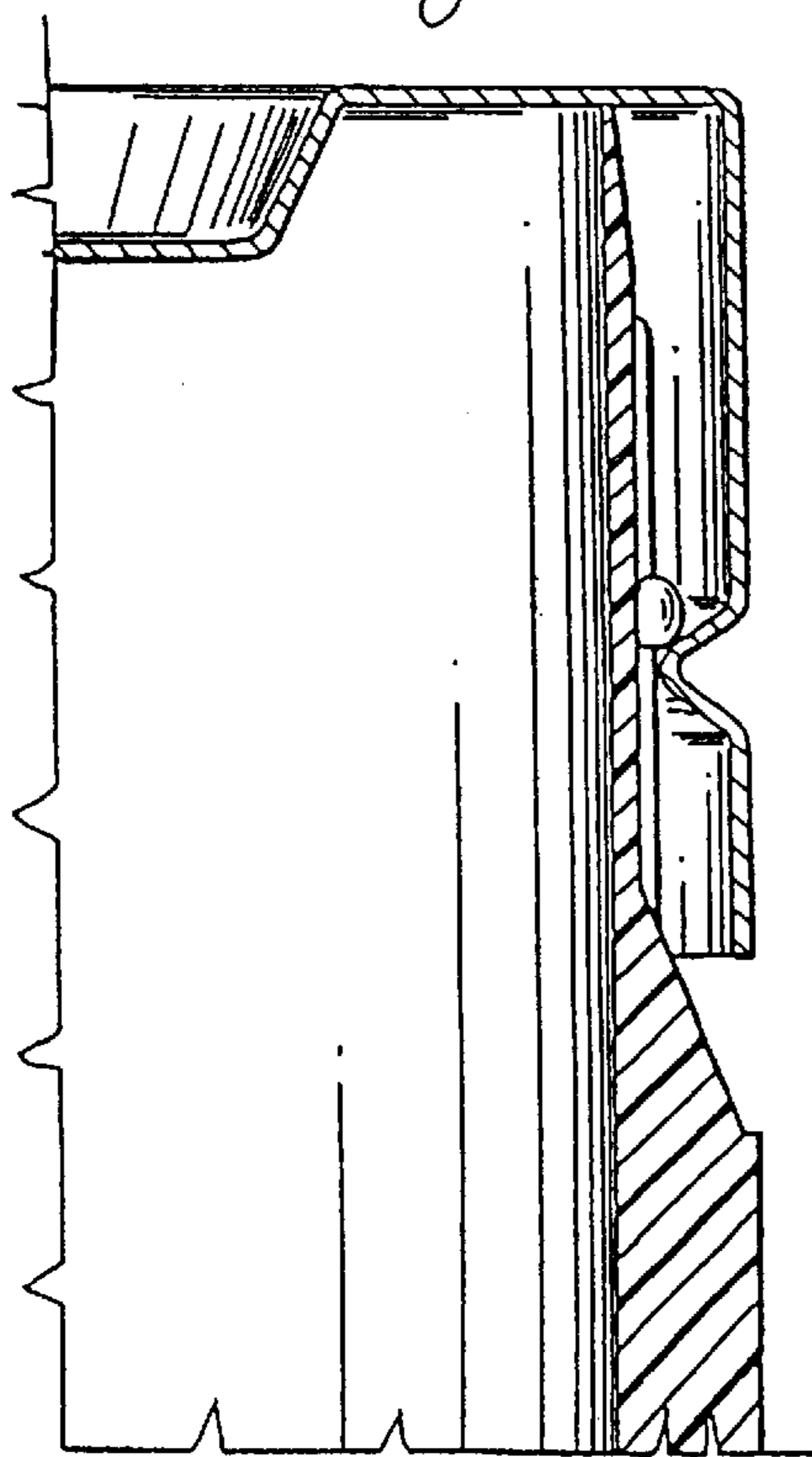


Fig. 4



Fig. 5