

US00D499023S

(12) **United States Design Patent** (10) **Patent No.:** **US D499,023 S**
Amos et al. (45) **Date of Patent:** **** Nov. 30, 2004**

(54) **LIQUID MEASURING VESSEL**
(75) Inventors: **Edward Michael Amos**, New York, NY (US); **Bruce Irvin Groves**, New York, NY (US); **Rodney L Laible**, New York, NY (US)

4,077,547 A * 3/1978 Donoghue 222/207
4,079,859 A 3/1978 Jennings 222/158
4,105,142 A 8/1978 Morris, Jr. 222/158
4,245,685 A 1/1981 Nemitz et al. 150/52
4,300,612 A 11/1981 Schroeder, Jr. et al. 150/52

(List continued on next page.)

(73) Assignee: **Pfizer, Inc.**, New York, NY (US)
(**) Term: **14 Years**

FOREIGN PATENT DOCUMENTS

(21) Appl. No.: **29/090,738**
(22) Filed: **Jul. 15, 1998**

CA	691196	7/1964
CA	865530	3/1971
DE	210450	6/1909
DE	382034	9/1923
DE	2525961	6/1975
DE	2744515	10/1977
EP	0126575	11/1984
FR	396999	11/1909
FR	371215	6/1910
FR	634273	3/1950
FR	1027739	5/1953
FR	1218248	5/1960
FR	1399264	9/1965
FR	2318083	2/1977
IT	574714	3/1957

Related U.S. Application Data

(62) Division of application No. 29/038,298, filed on May 2, 1995, now Pat. No. Des. 400,434.
(51) **LOC (7) Cl.** **09-07**
(52) **U.S. Cl.** **D9/434; D9/436; D9/447; D10/101**
(58) **Field of Search** D9/434, 435, 436, D9/447, 448, 449, 347, 300, 301, 547; D10/101, 96; 222/207, 205, 211, 145.5, 158

Primary Examiner—Lucy Lieberman
(74) *Attorney, Agent, or Firm*—Peter C. Richardson; Gregg C. Benson; B. Timothy Creagan

(56) **References Cited**

(57) **CLAIM**

U.S. PATENT DOCUMENTS

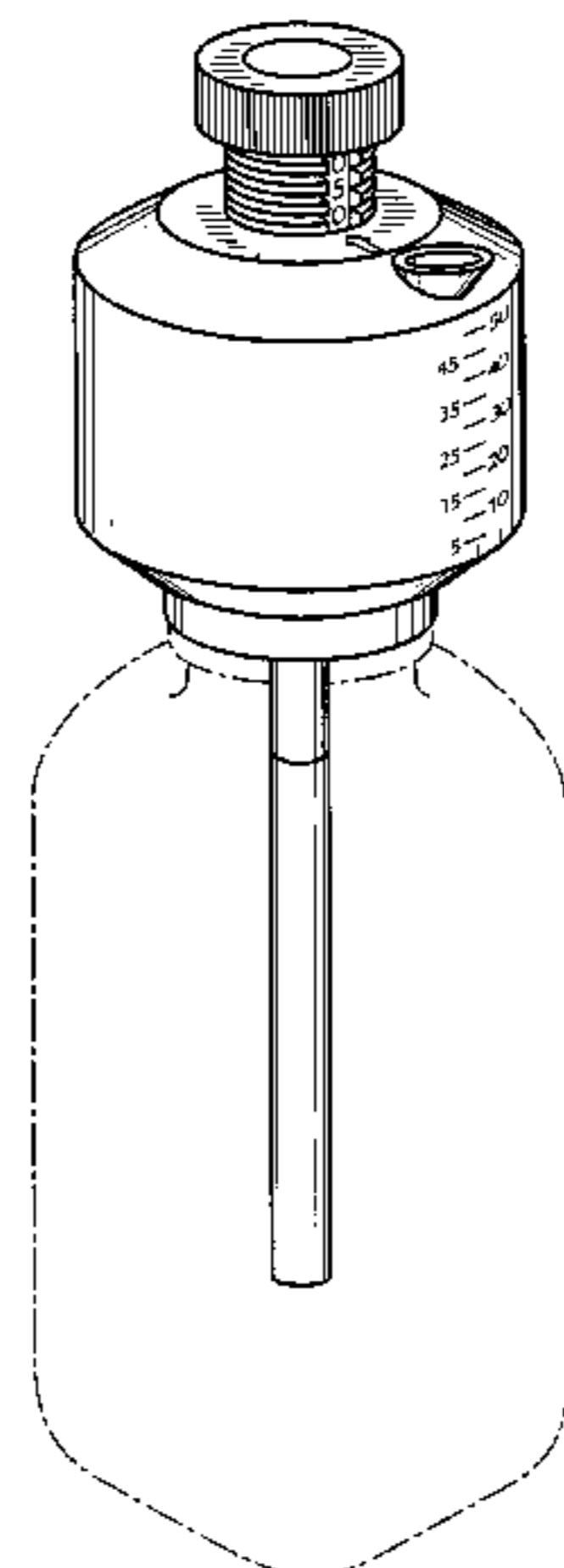
The ornamental design for a liquid measuring vessel, as shown and described.

D178,423 S	7/1956	Peters	D9/347
2,969,162 A	1/1961	Stutske	220/2.1
3,012,686 A	12/1961	Russell	215/13
3,080,989 A	3/1963	Ramsbotham	215/12
3,089,623 A *	5/1963	Padzieski	222/205
3,285,461 A	11/1966	Santelli	220/17
D207,464 S	4/1967	Donoghue	D9/547
3,331,521 A	7/1967	Paige	215/1
3,570,718 A	3/1971	Otsuka	222/88
3,581,953 A *	6/1971	Donoghue	222/207
3,613,761 A	10/1971	Moody	150/52
3,628,700 A *	12/1971	Dodoghue	222/187
3,651,990 A *	3/1972	Cernei	222/94
D224,203 S	7/1972	Donoghue	D9/503
3,744,658 A	7/1973	Fijio	215/100
D242,227 S *	11/1976	Donoghue	D9/436

DESCRIPTION

FIG. 1 is a top, front and left side perspective view of a liquid measuring vessel showing our new design;
FIG. 2 is a left side elevation of the liquid measuring vessel, the right side elevation is a mirror image thereto except for the threading;
FIG. 3. is a front elevational view thereof;
FIG. 4. is a rear elevational view thereof;
FIG. 5. is a top plan thereof; and,
FIG. 6. is a bottom plan view thereof.
The broken lines showing a bottle in FIG. 1 are for illustrative purposes only and do not form part of the claimed design.

1 Claim, 2 Drawing Sheets



US D499,023 S

Page 2

U.S. PATENT DOCUMENTS

D284,439 S	7/1986	Ventimiglia et al.	D9/70	5,174,534 A	12/1992	Mitchell	
4,715,513 A	12/1987	Shelton, Jr.	220/469	D336,046 S	6/1993	Donoghue	D9/547
4,747,521 A *	5/1988	Saffron	222/205	5,330,081 A	7/1994	Davenport	D9/357
5,040,682 A	8/1991	Palisin, Jr. et al.	206/519	D349,858 S	8/1994	Lonczak et al.	D9/560
5,067,638 A *	11/1991	Bavaveas	222/205	5,381,930 A *	1/1995	Kalabakas	222/205
5,088,627 A *	2/1992	Musel	222/145.5	5,570,820 A *	11/1996	Amoraal	222/205

* cited by examiner

FIG. 1

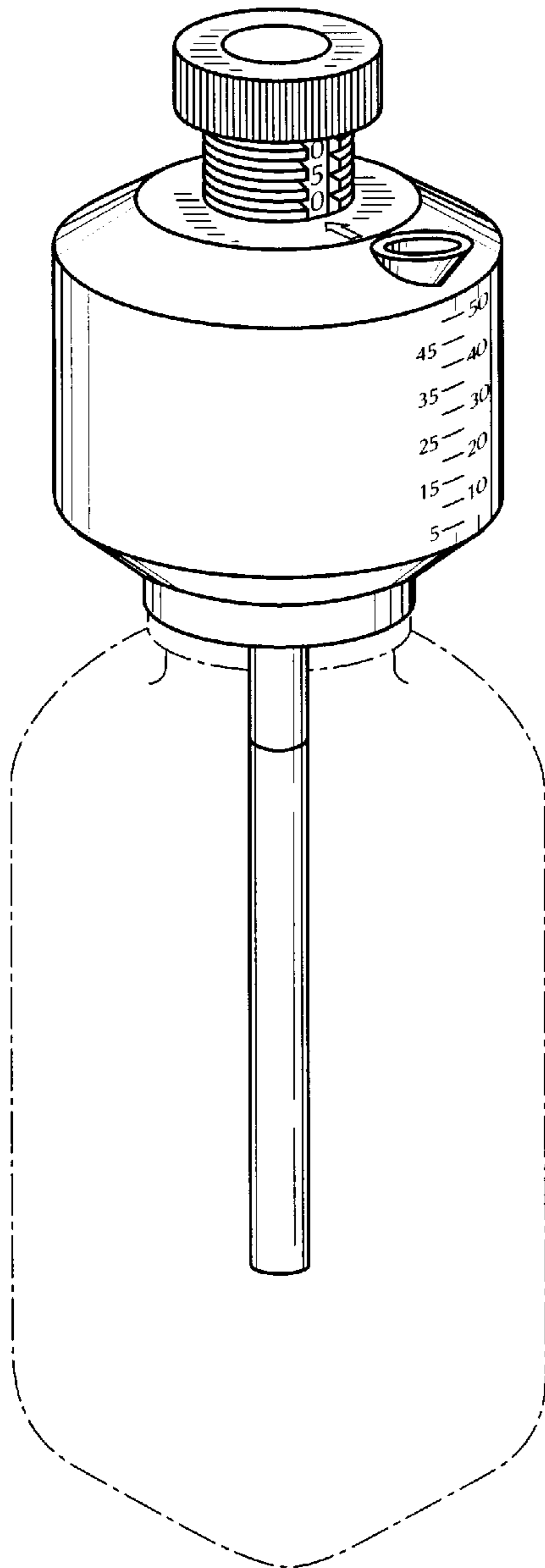


FIG. 2

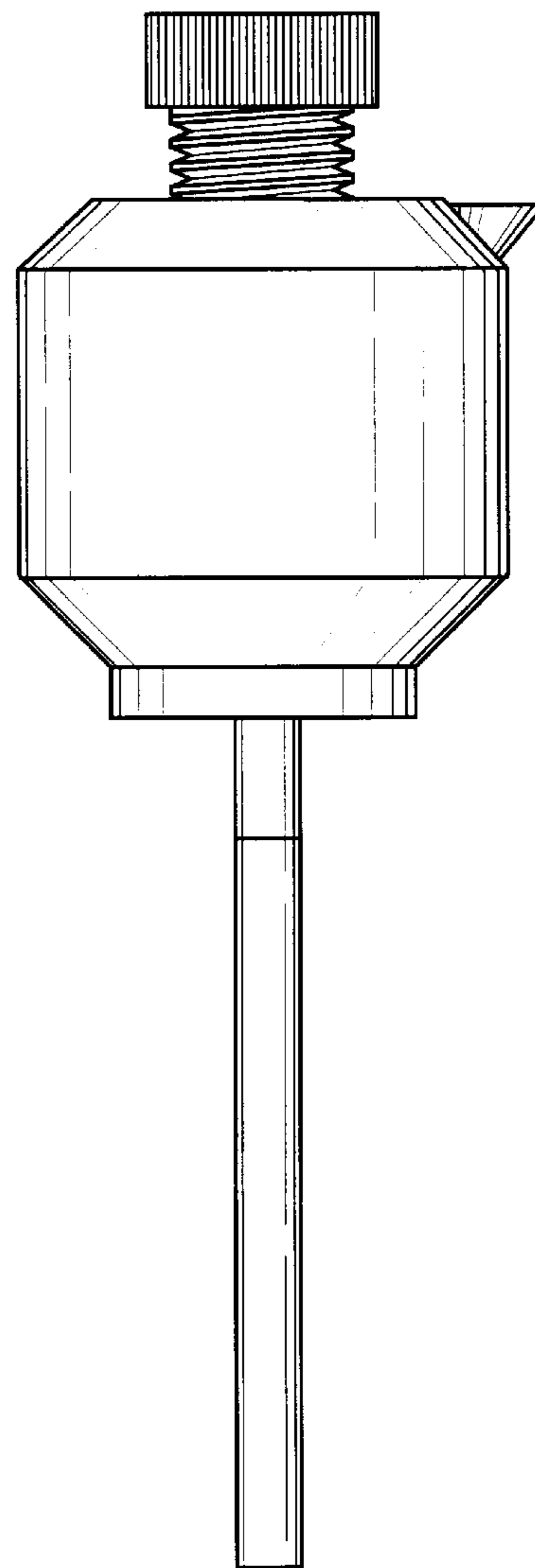


FIG. 3

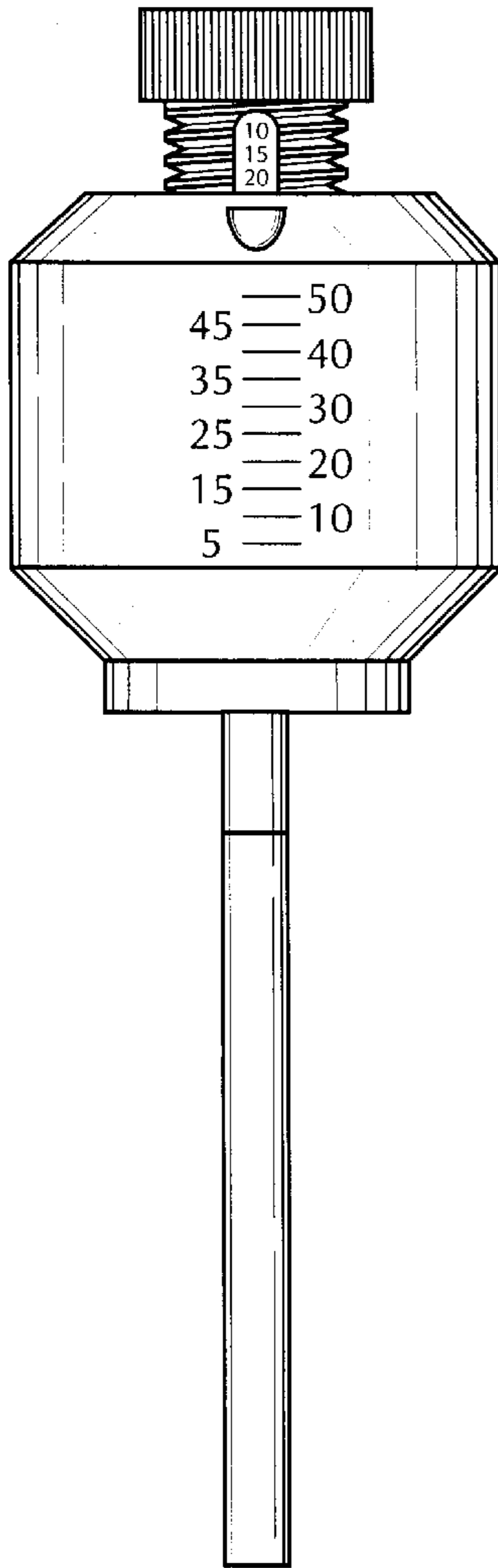


FIG. 4

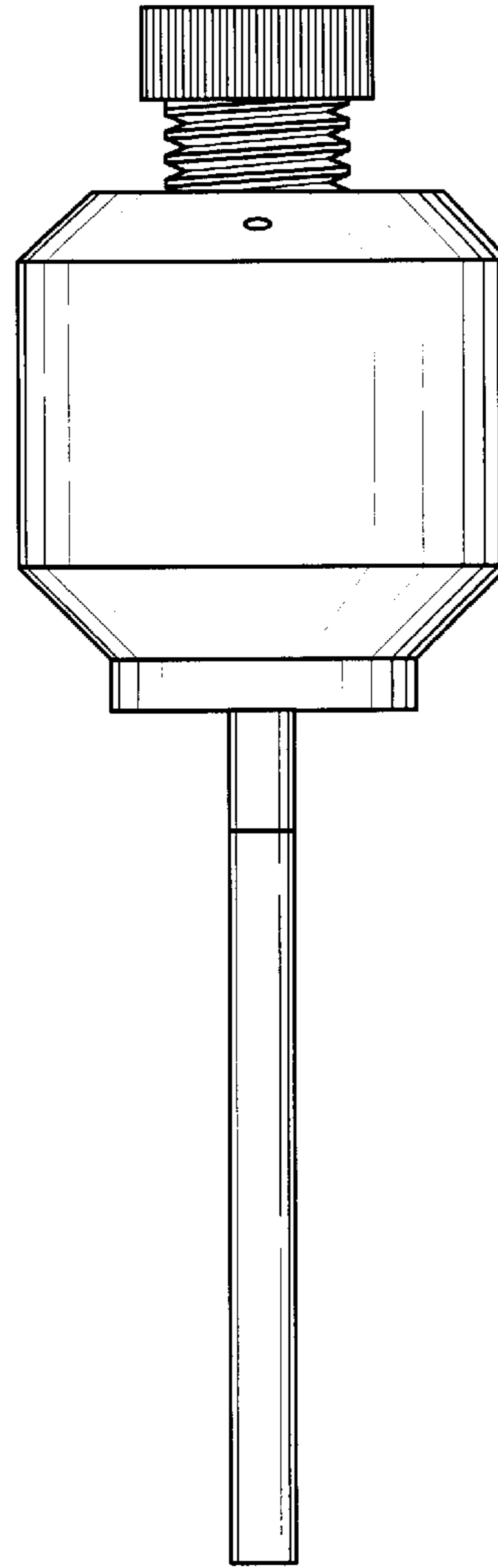


FIG. 5

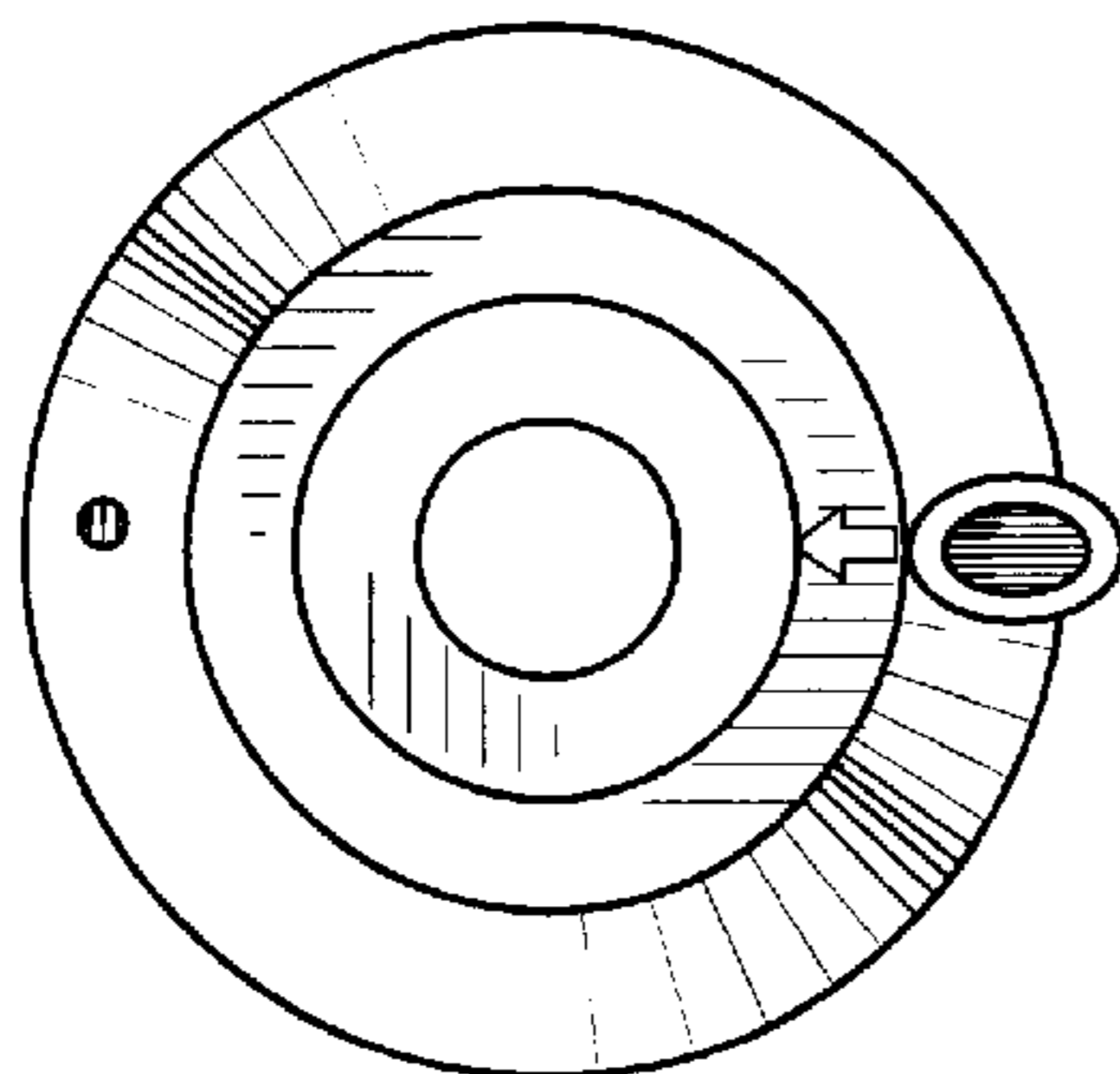


FIG. 6

