

US00D499021S

(12) **United States Design Patent** (10) **Patent No.:** **US D499,021 S**
Tiilikka et al. (45) **Date of Patent:** **** Nov. 30, 2004**

(54) **CONTAINER FOR WET WIPES**
 (75) Inventors: **Norman Henry Tiilikka**, West Chester, OH (US); **Lynda Deakin**, San Francisco, CA (US); **Andrew Deakin**, San Francisco, CA (US); **Candice Patricia Tillitt**, San Francisco, CA (US); **Tomas Owen Rogers**, San Francisco, CA (US); **Dana Paul Gruenbacher**, Fairfield, OH (US)

2,574,345 A * 11/1951 Montgomery 206/494
 3,124,298 A * 3/1964 Repko 383/207
 4,428,477 A * 1/1984 Cristofolo 206/210
 4,998,620 A * 3/1991 Taylor 206/440
 D363,023 S * 10/1995 Taylor D9/416
 6,213,300 B1 * 4/2001 Flaig et al. 206/494
 D443,508 S * 6/2001 Braaten et al. D4/416
 6,510,945 B1 * 1/2003 Allwein et al. 206/388
 D472,141 S * 3/2003 Buschkiel et al. D9/416
 6,702,109 B1 * 3/2004 Tabuchi 206/233

* cited by examiner

(73) Assignee: **The Procter & Gamble Company**, Cincinnati, OH (US)

Primary Examiner—Prabhakar Deshmukh
 (74) *Attorney, Agent, or Firm*—Dara M. Kendall; Matthew P. Fitzpatrick; Ian S. Robinson

(**) Term: **14 Years**

(21) Appl. No.: **29/185,699**

(57) **CLAIM**

(22) Filed: **Jul. 1, 2003**

The ornamental design for a container for wet wipes, as shown and described.

(51) **LOC (7) Cl.** **09-03**

(52) **U.S. Cl.** **D9/422; D9/416; D9/424**

(58) **Field of Search** D9/414, 416, 424, D9/432, 422, 423, 337; 206/233, 216, 77.1, 204, 442, 299, 812, 823, 525.1, 83.5, 581; 229/103.2, 164.1, 182.1; 224/932; 222/501; D6/542, 522

DESCRIPTION

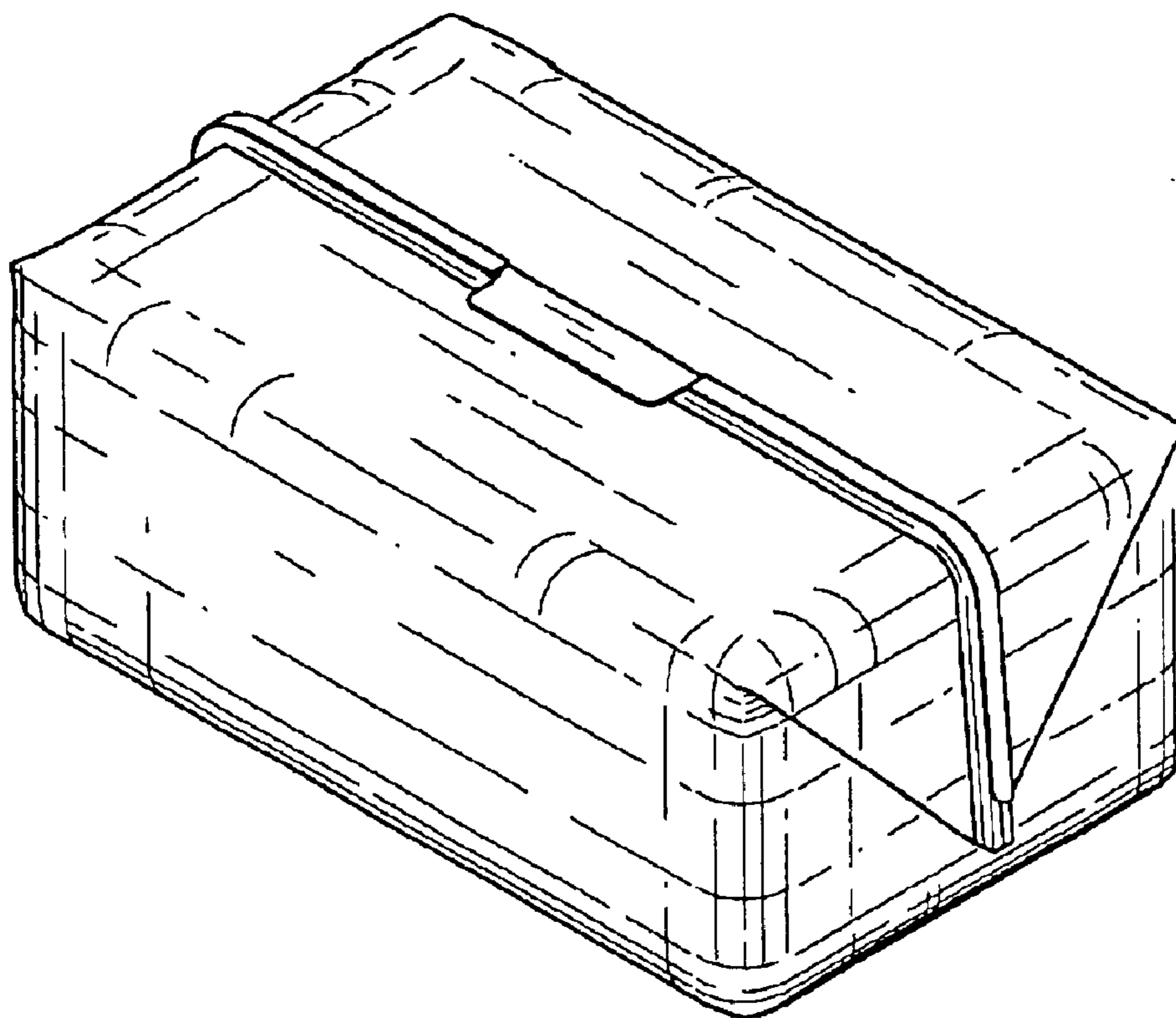
FIG. 1. is a perspective view from front, above and right end;
 FIG. 2. is a front view;
 FIG. 3. is a back view;
 FIG. 4. is a top view;
 FIG. 5. is a bottom view; and,
 FIG. 6. is a right side view.

(56) **References Cited**

U.S. PATENT DOCUMENTS

1,296,765 A * 3/1919 Christensen 229/87.03

1 Claim, 2 Drawing Sheets



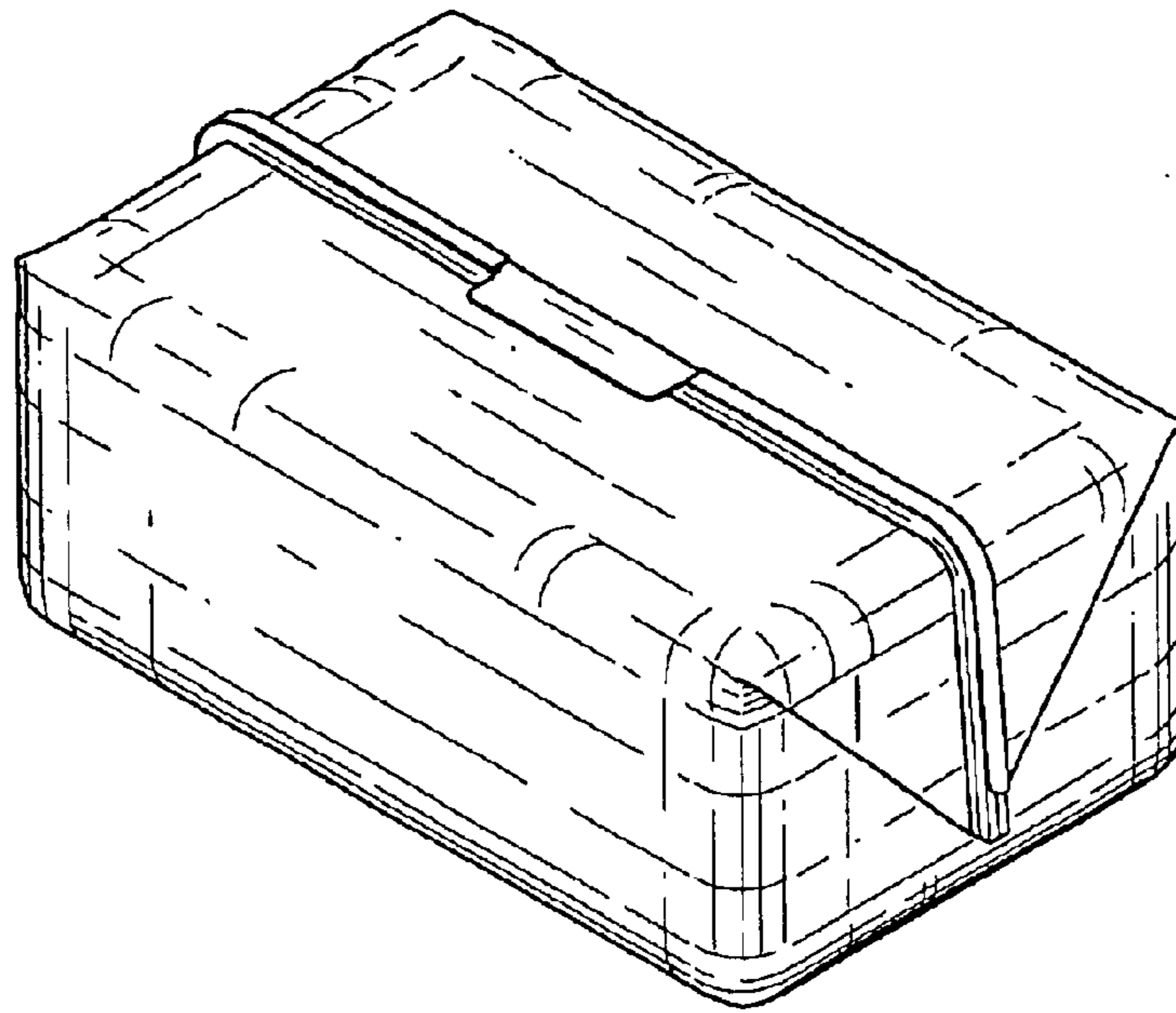


Fig. 1

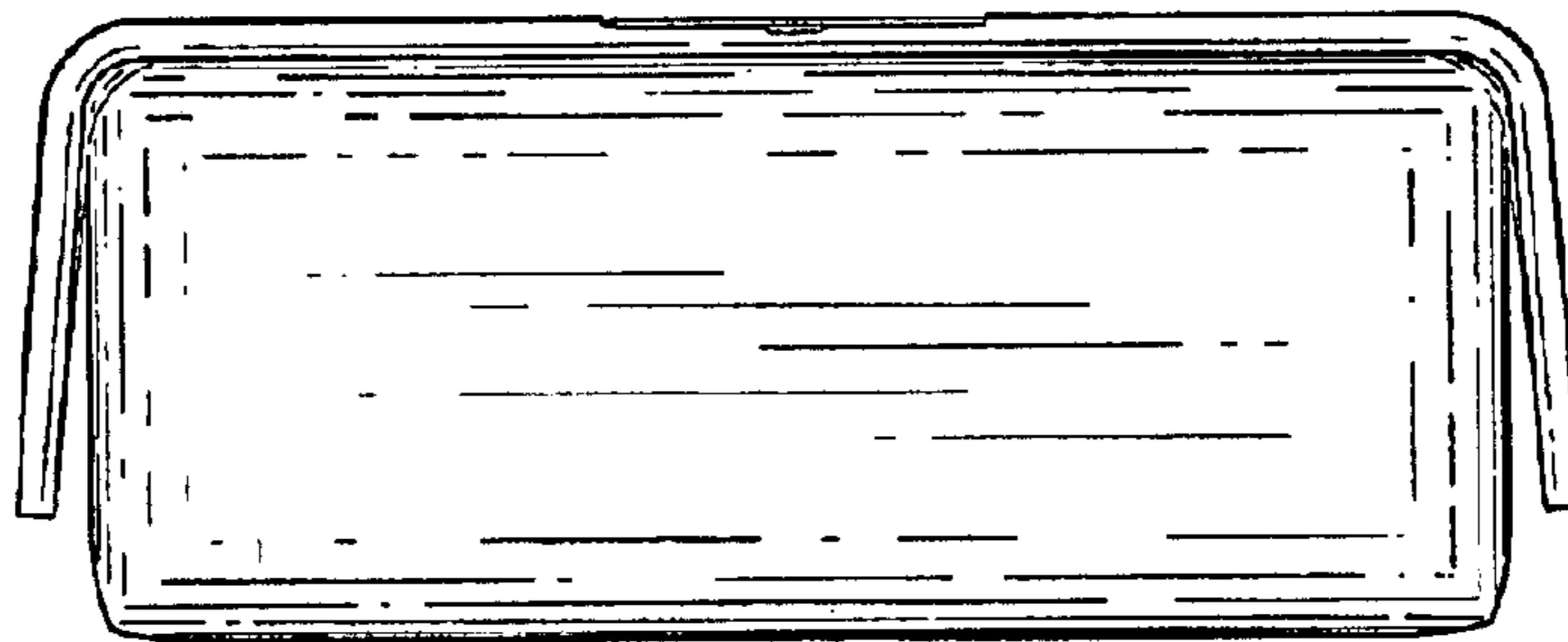


Fig. 2

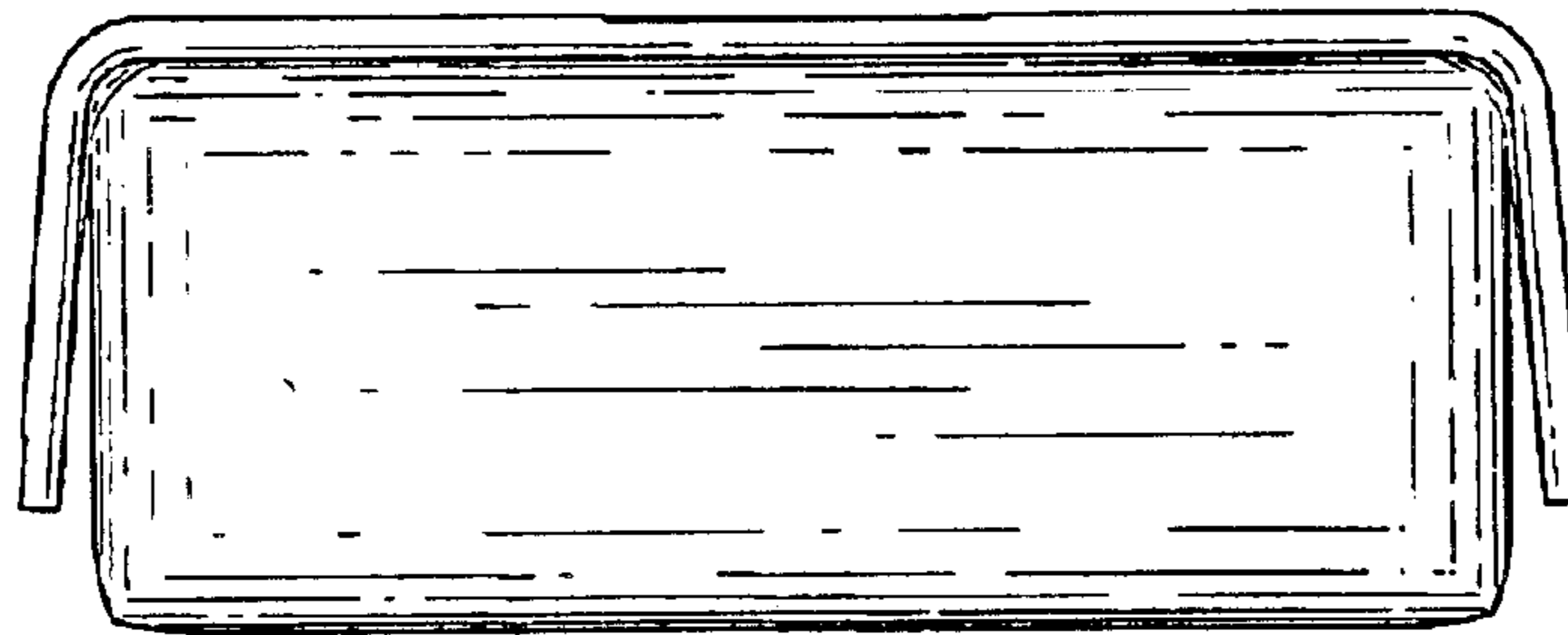


Fig. 3

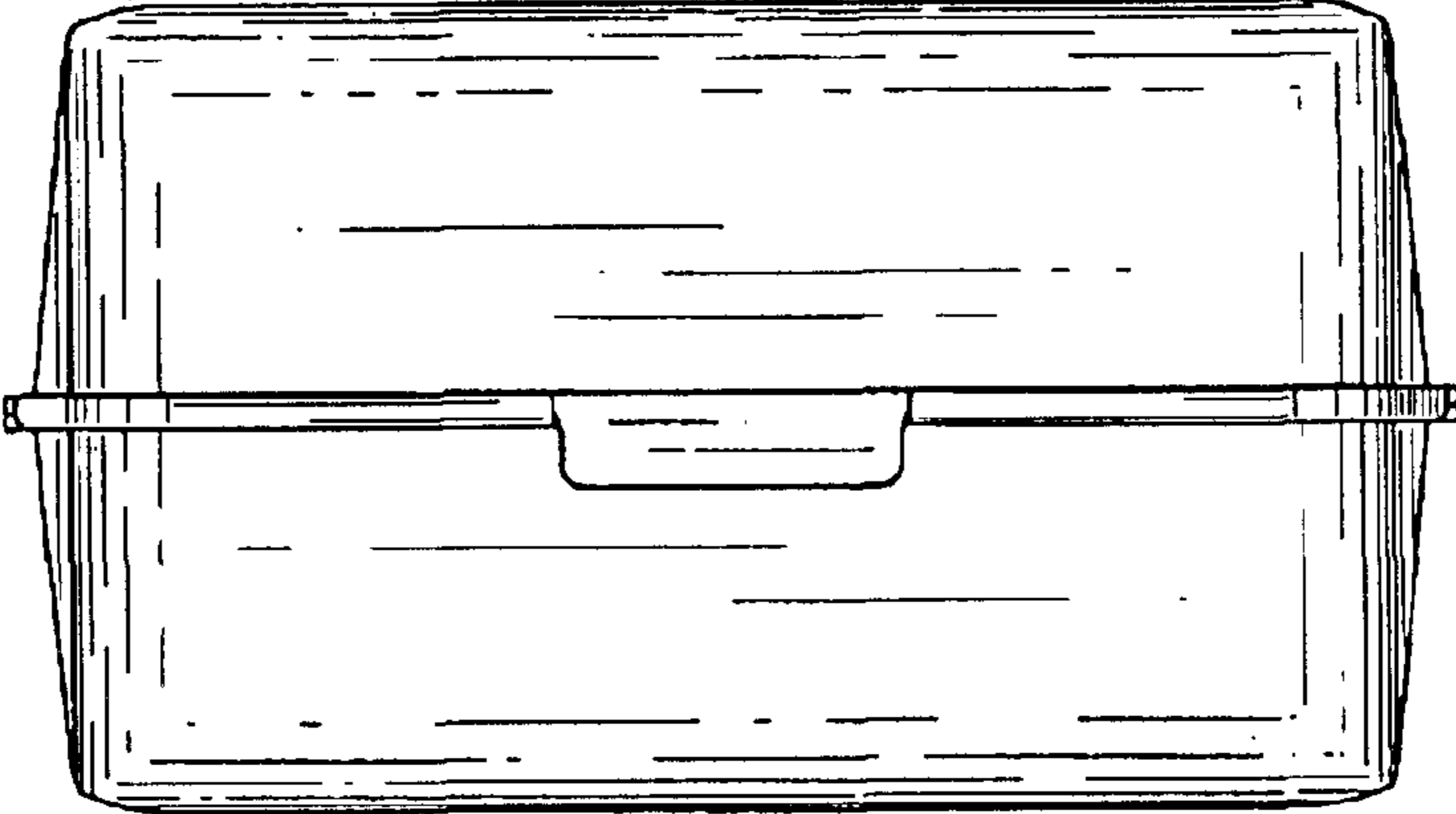


Fig. 4

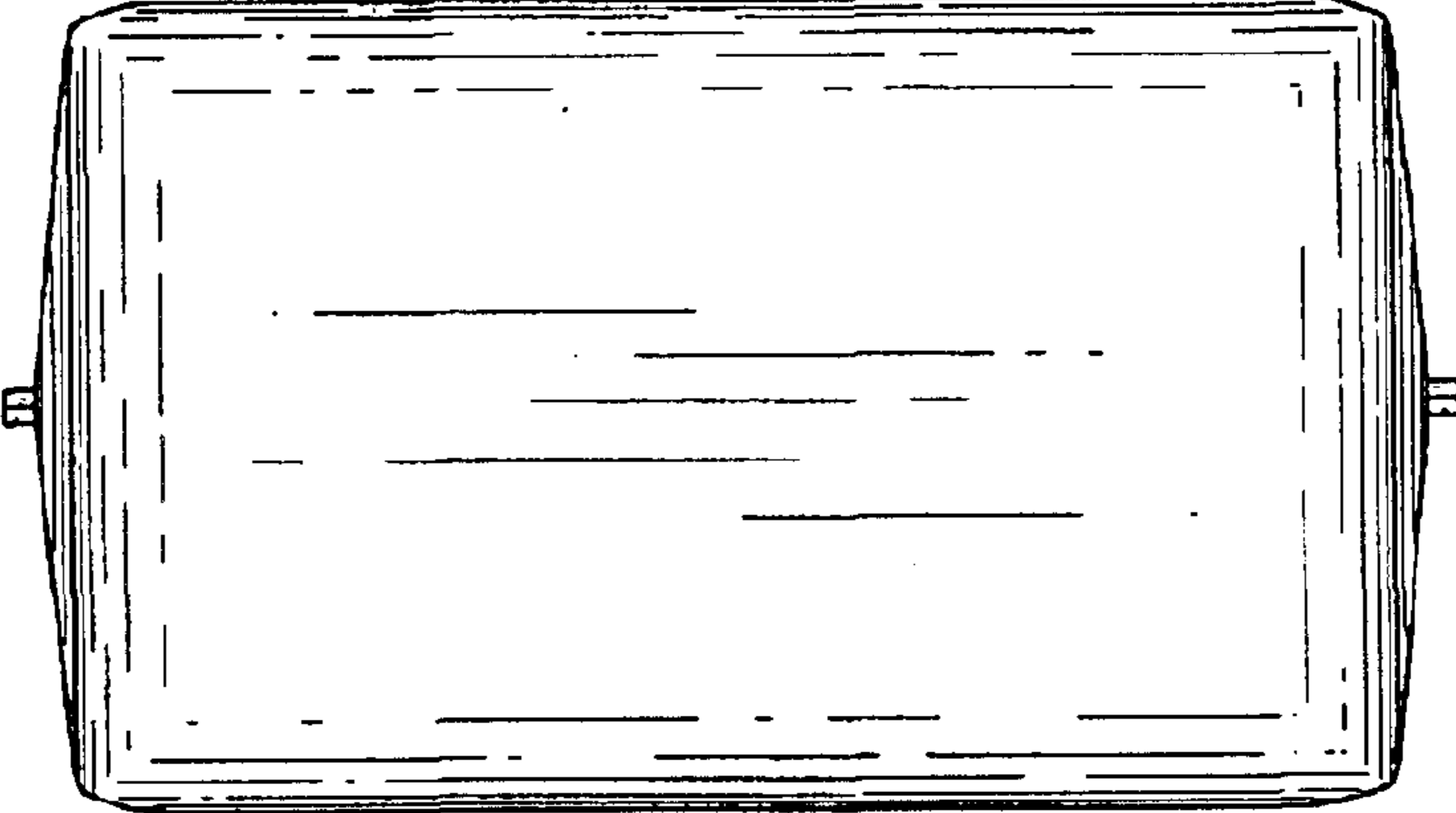


Fig. 5

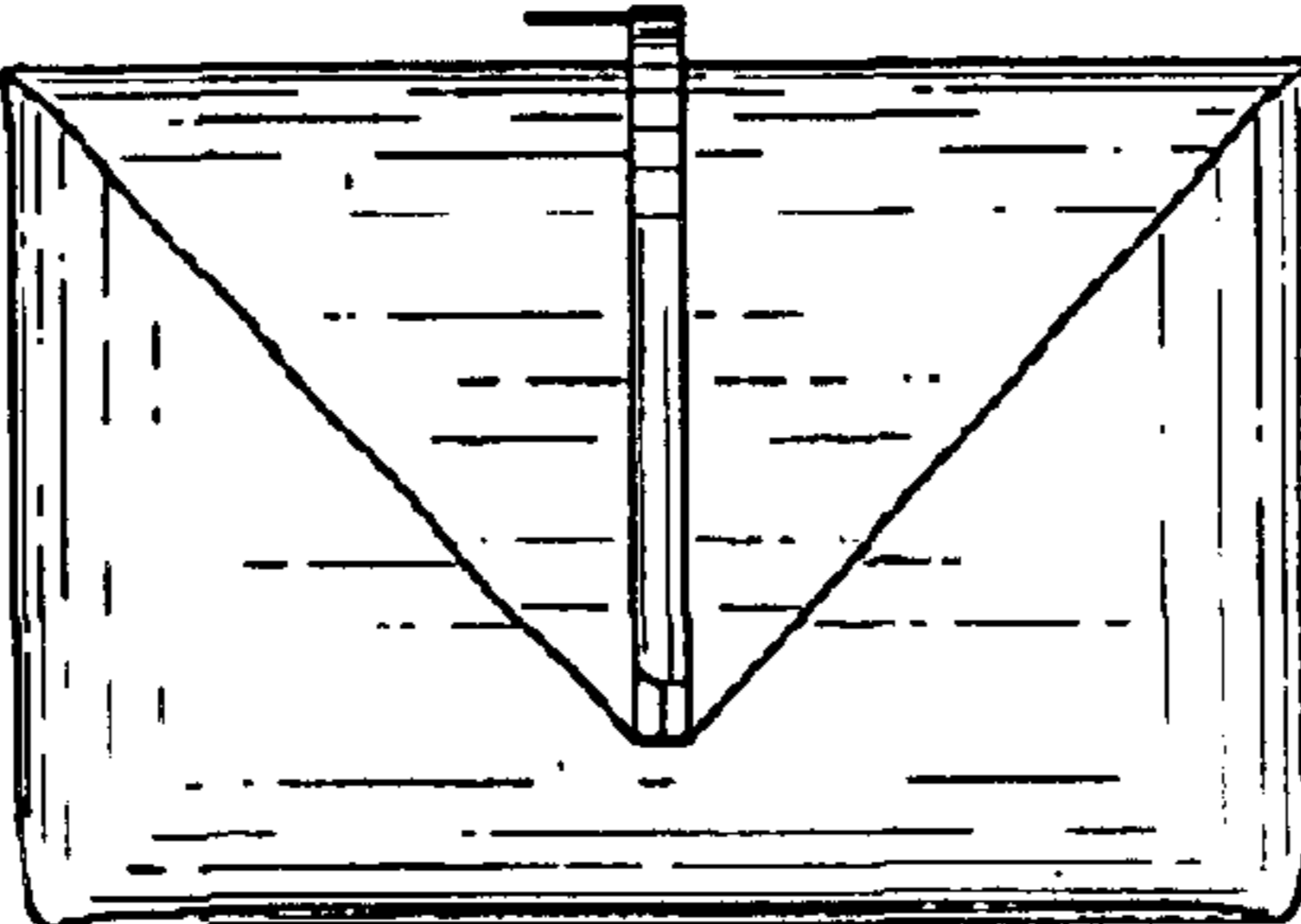


Fig. 6