



US00D499015S

(12) **United States Design Patent** (10) **Patent No.:** **US D499,015 S**
Schwartz (45) **Date of Patent:** **** Nov. 30, 2004**

(54) **BOTTLE CARRIER**

(76) Inventor: **Peter Schwartz**, 5704 16th St. NW.,
Washington, DC (US) 28011

(**) Term: **14 Years**

(21) Appl. No.: **29/156,194**

(22) Filed: **Feb. 26, 2002**

(51) **LOC (7) Cl.** **09-03**

(52) **U.S. Cl.** **D9/344**

(58) **Field of Search** D9/344, 434, 443,
D9/455, 499; 206/139-140, 142, 151, 158,
485; 220/23, 83, 694, 696, 915.1

(56) **References Cited**

U.S. PATENT DOCUMENTS

D117,326 S	*	10/1939	Arnold	D9/344
2,333,757 A	*	11/1943	Whitaker	206/142
D194,855 S	*	3/1963	Lawrence et al.	D9/344
D206,029 S	*	10/1966	Stull	D9/443
D207,748 S	*	5/1967	Hirozenchik	D9/344
D217,828 S	*	6/1970	Hilliard	D7/622
4,357,042 A	*	11/1982	Gall	294/31.2
D303,335 S	*	9/1989	Seifried	D7/620
D346,532 S	*	5/1994	Ogden et al.	D7/619.1
D481,939 S	*	11/2003	Shatan	D9/344

* cited by examiner

Primary Examiner—Stella Reid
Assistant Examiner—Daniel Bui
(74) *Attorney, Agent, or Firm*—Sughrue Mion, PLLC

(57) **CLAIM**

The ornamental design for a bottle carrier, as shown and described.

DESCRIPTION

FIG. 1 is a perspective view of the bottle carrier of this invention

FIG. 2 is a front side view of the bottle carrier of this invention

FIG. 3 is a back side view of the bottle carrier of this invention

FIG. 4 is a side view of the bottle carrier of this invention

FIG. 5 is a top view of the bottle carrier of this invention

FIG. 6 is a bottom view of the bottle carrier of this invention

FIG. 7 is an enlarged view of the detail 7 in FIG. 1 showing the outside of the coupling and clamping member of this invention; and,

FIG. 8 is an enlarged view of the detail 8 in FIG. 8 illustrating the inside of the coupling and clamping member of this invention.

The broken line showing of the environment is for illustrative purposes only and forms no part of the claimed design.

1 Claim, 8 Drawing Sheets

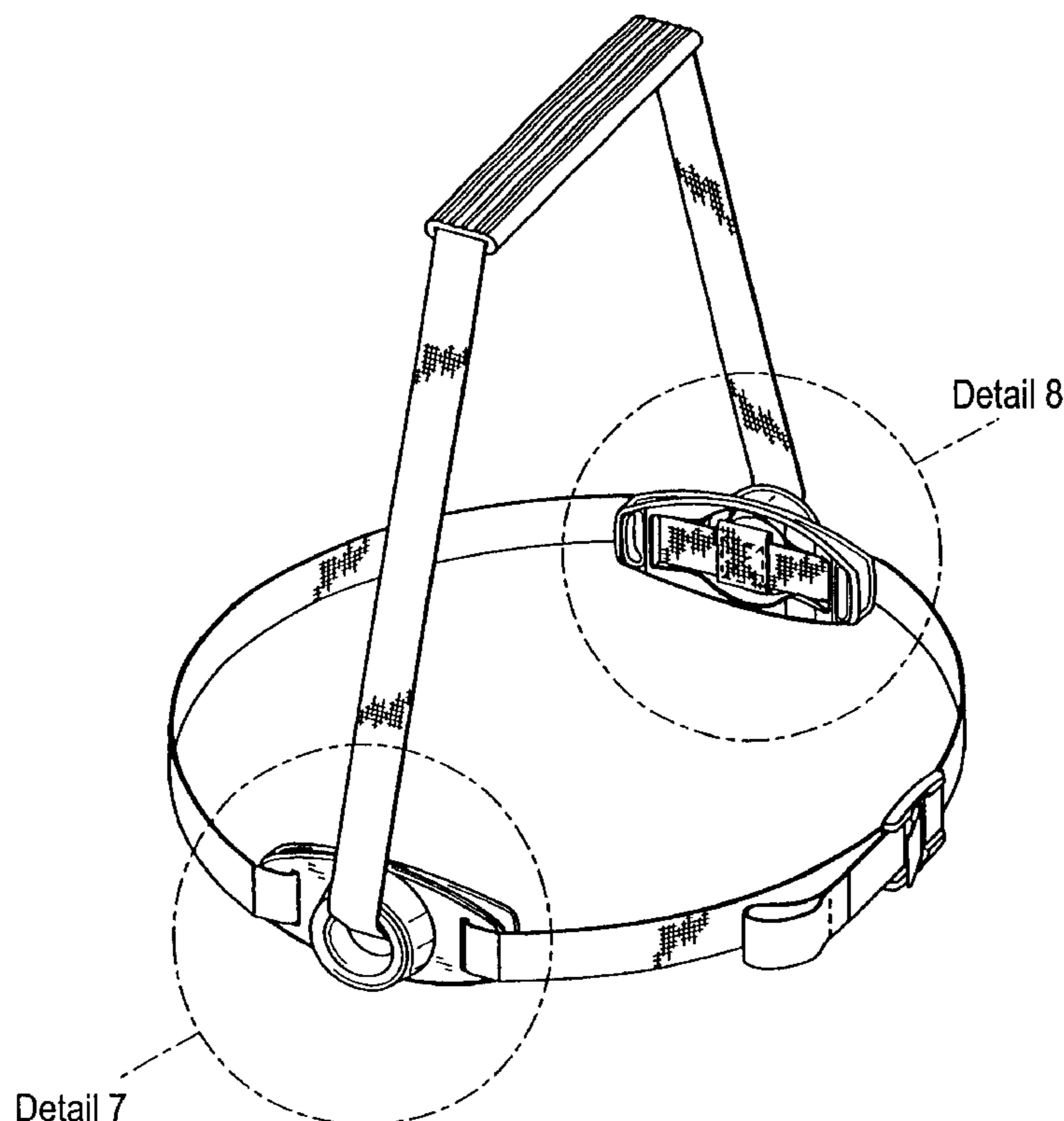


FIG. 1

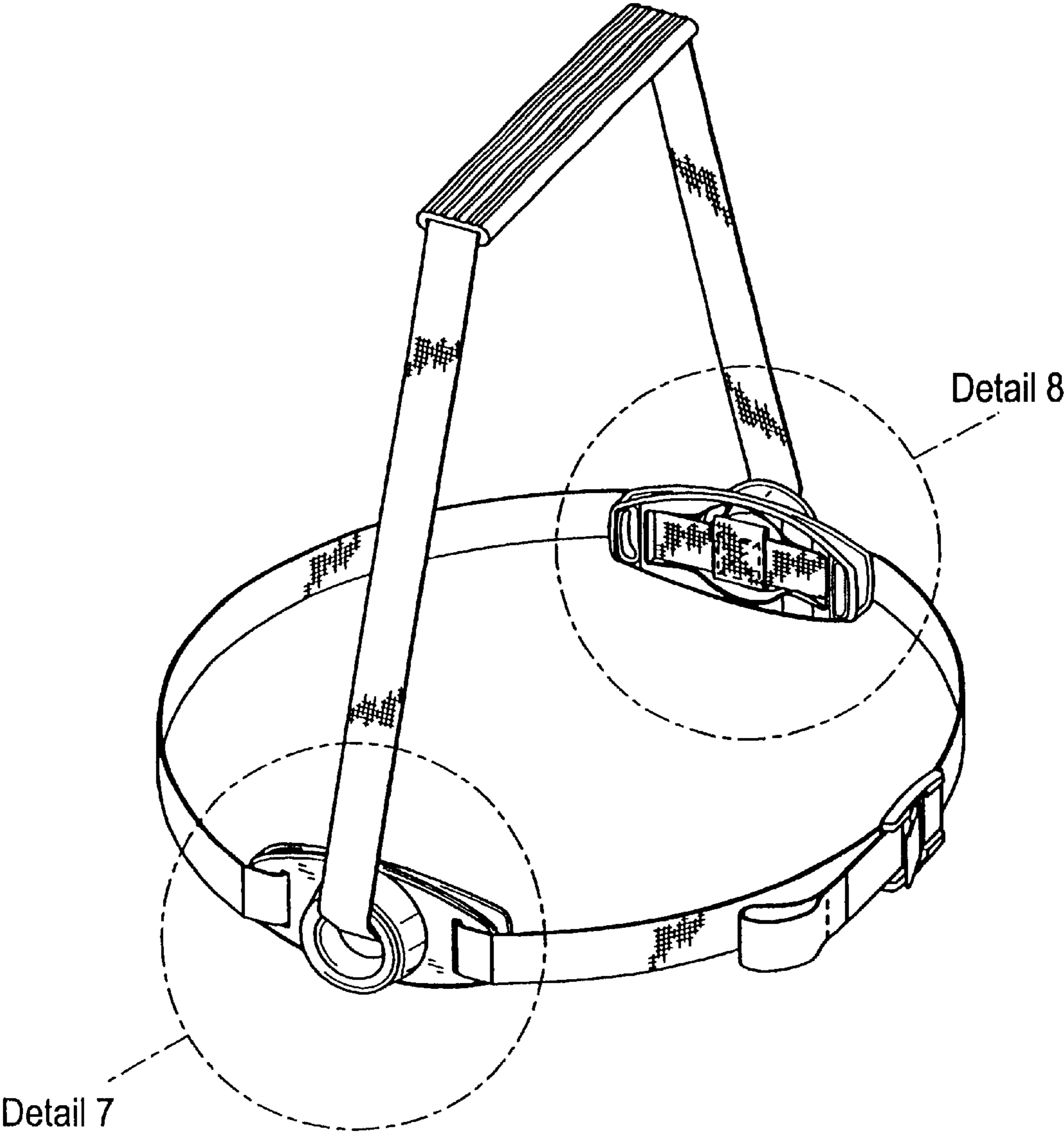


FIG. 2

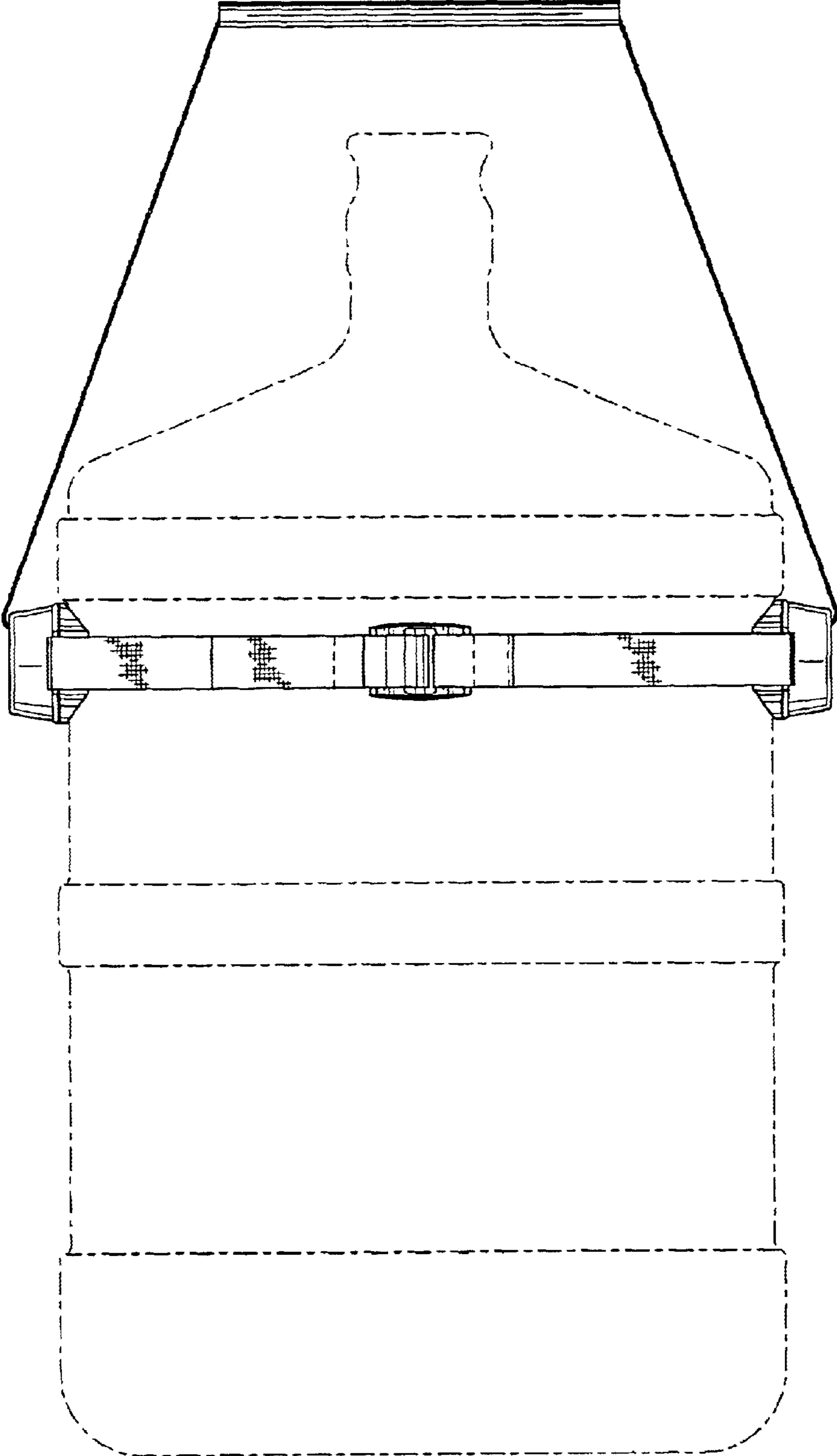


FIG. 3

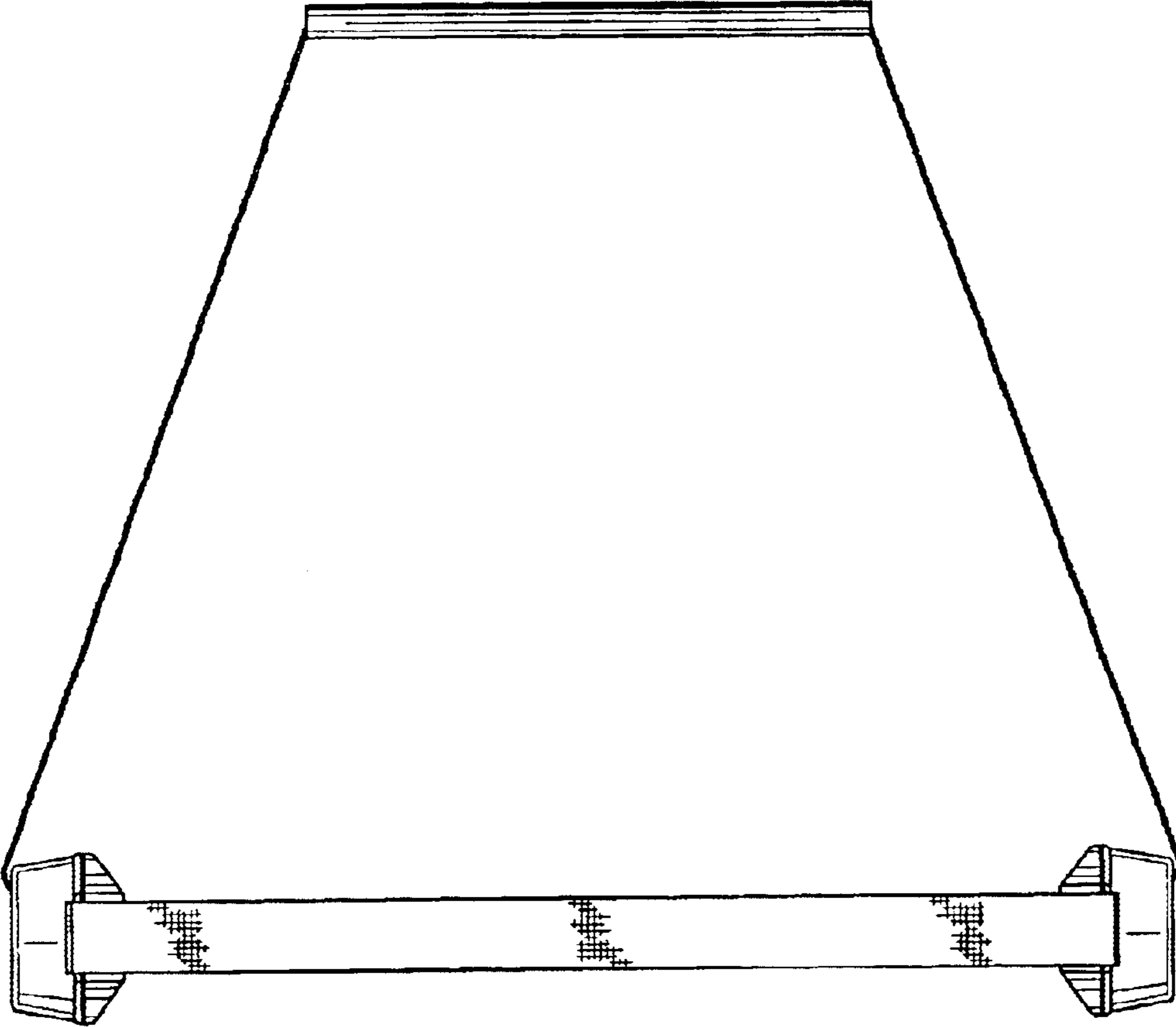


FIG. 4

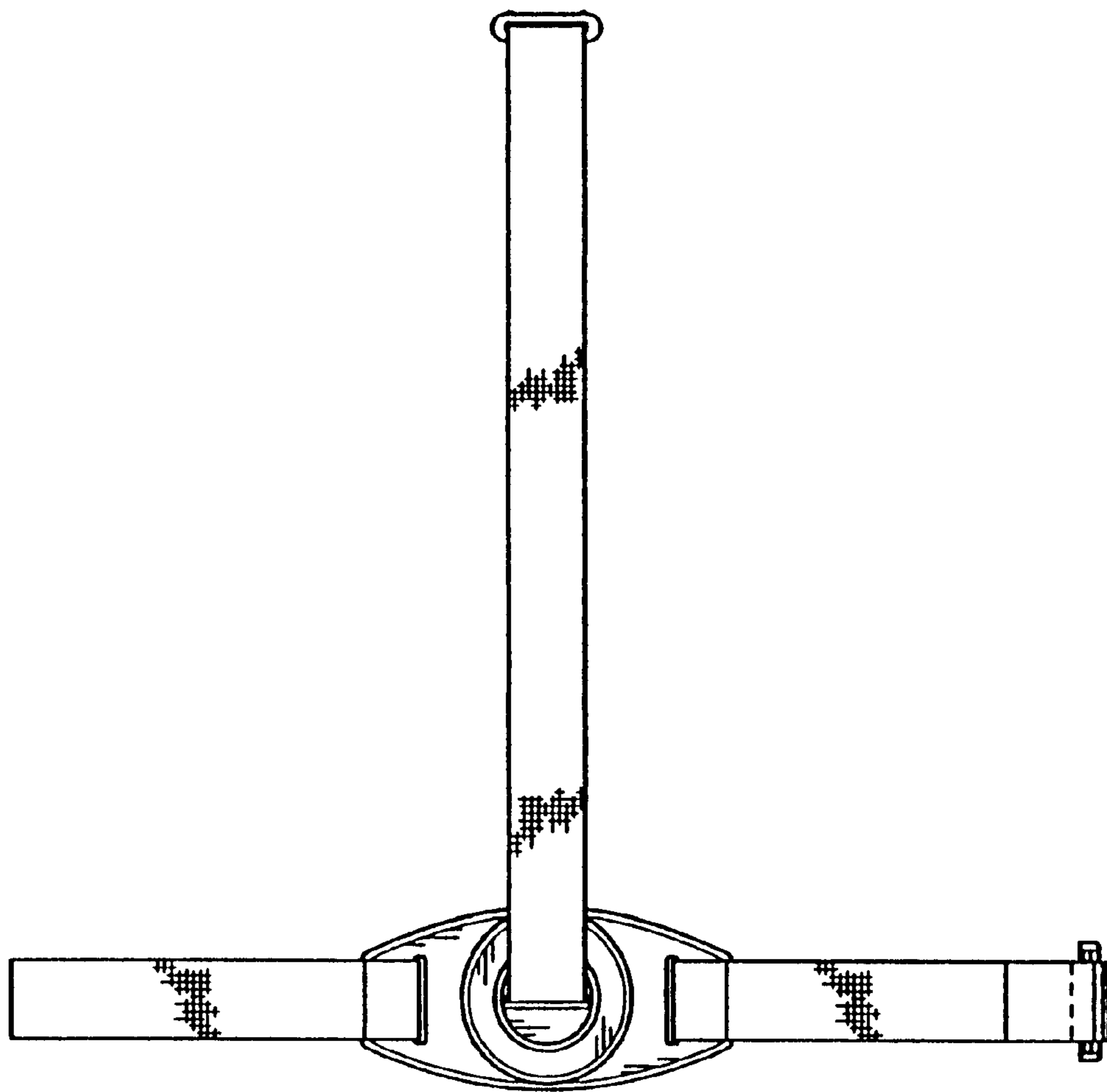


FIG. 5

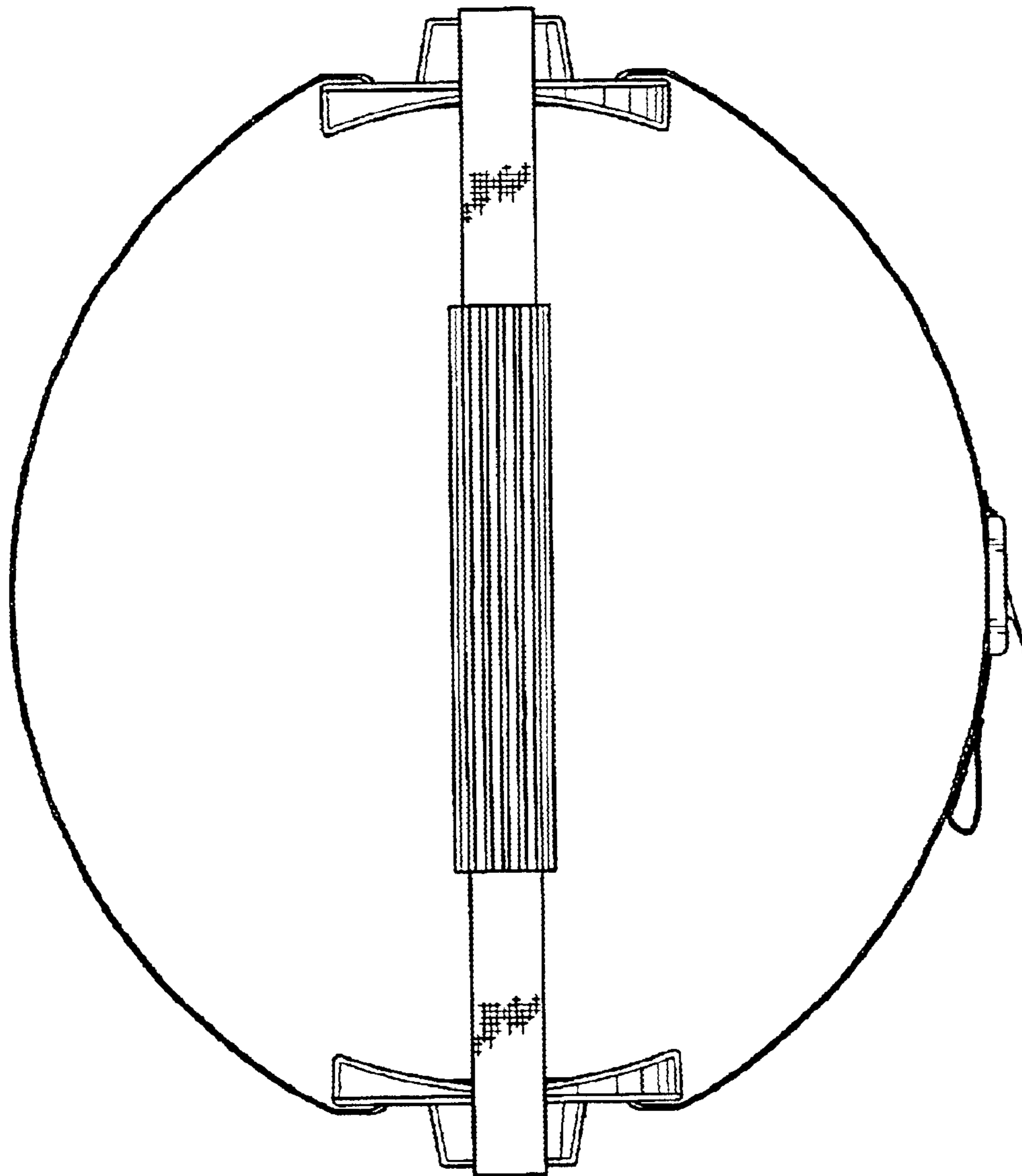
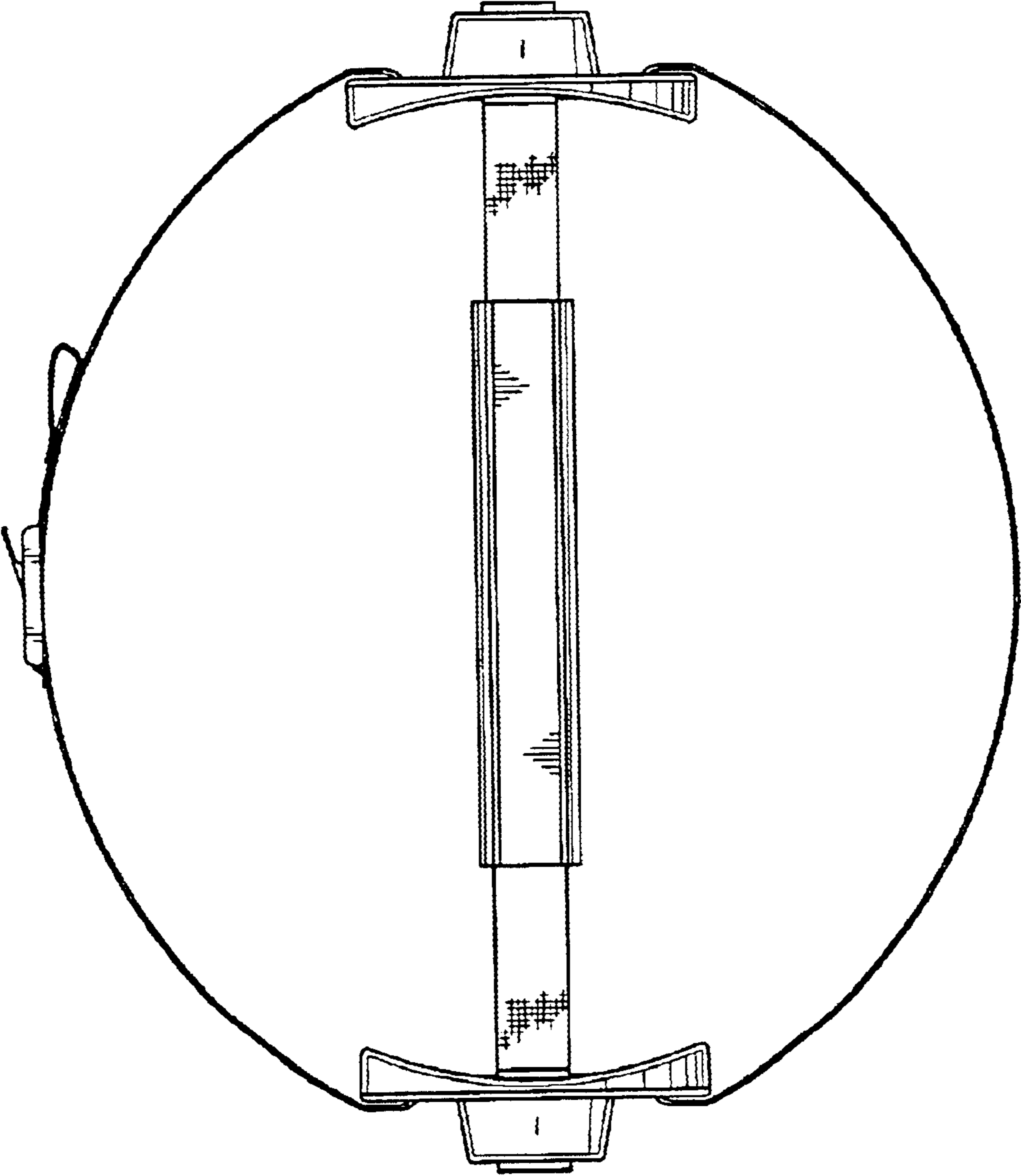


FIG. 6



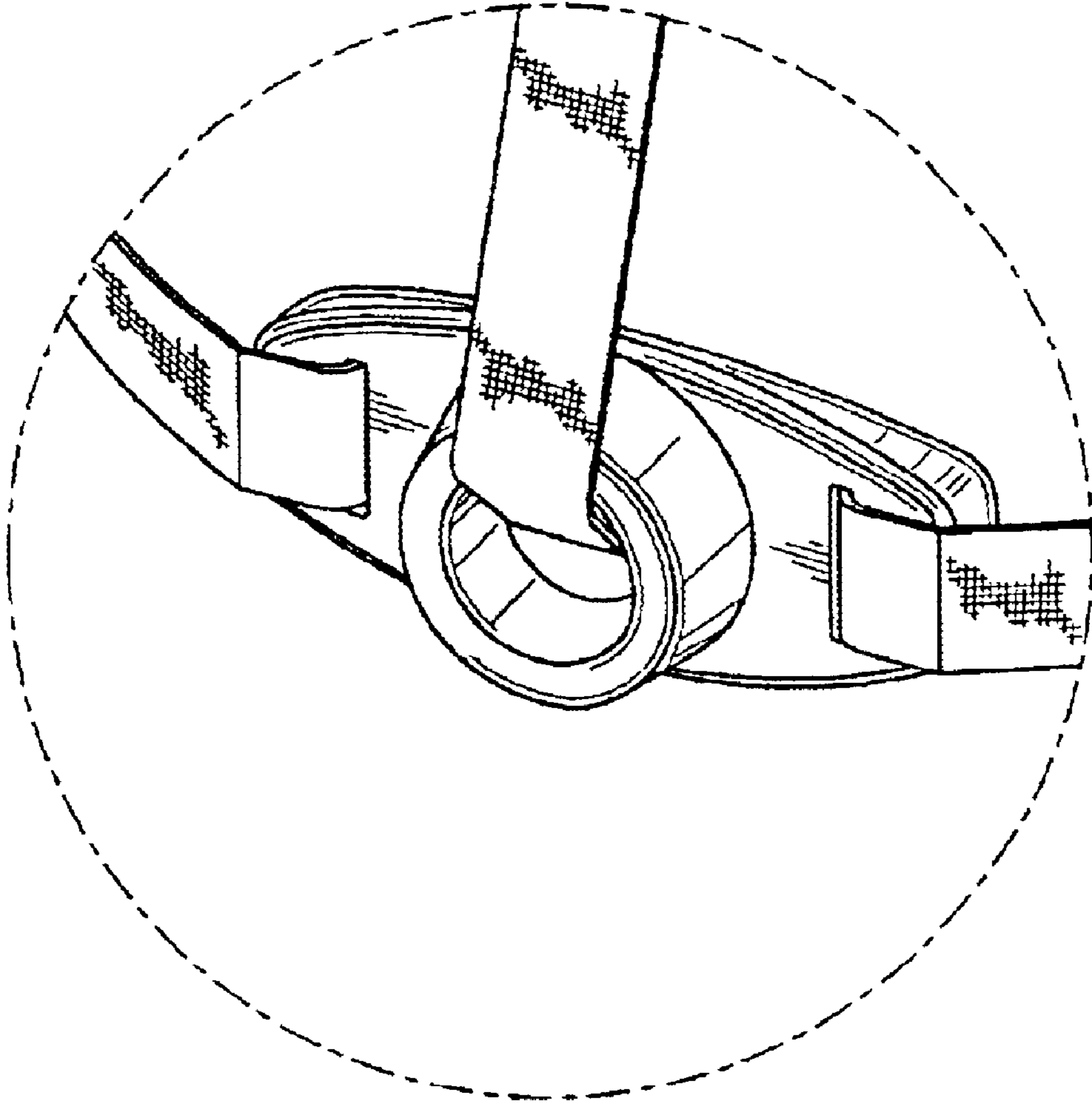


FIG. 7

FIG. 8

