



US00D499011S

(12) **United States Design Patent**
Rizzo

(10) **Patent No.:** **US D499,011 S**
(45) **Date of Patent:** **** Nov. 30, 2004**

- (54) **COMPLIMENTARY ROOF SNOW AND ICE BREAKING AND HOLDING DEVICE**
- (75) Inventor: **Jeffrey L. Rizzo**, Charlevoix, MI (US)
- (73) Assignee: **Sno-Hold, L.L.C.**, Charlevoix, MI (US)
- (**) Term: **14 Years**
- (21) Appl. No.: **29/201,986**
- (22) Filed: **Mar. 24, 2004**
- (51) **LOC (7) Cl.** **08-99**
- (52) **U.S. Cl.** **D8/499**
- (58) **Field of Search** D8/499, 400; 52/24, 52/26; D25/199

- 6,266,929 B1 7/2001 Cline
- D453,678 S 2/2002 Mullane
- D455,068 S 4/2002 Mullane
- D457,423 S 5/2002 Mullane
- D475,613 S 6/2003 Mullane
- D482,604 S * 11/2003 Smeja et al. D8/499

* cited by examiner

Primary Examiner—Brian N Vinson

(74) *Attorney, Agent, or Firm*—Douglas S. Bishop

(57) **CLAIM**

The ornamental design for a complimentary roof snow and ice breaking and holding device, as shown.

DESCRIPTION

FIG. 1 is a perspective view of the complimentary roof snow and ice breaking and holding device, of the present invention;

FIG. 2 is a first end plan view of the complimentary roof snow and ice breaking and holding device, of FIG. 1.

FIG. 3 is a top plan view of the complimentary roof snow and ice breaking and holding device, of FIG. 1.

FIG. 4 is a side plan view of the complimentary roof snow and ice breaking and holding device, of FIG. 1.

FIG. 5 is a bottom plan view of the complimentary roof snow and ice breaking and holding device, of FIG. 1; and,

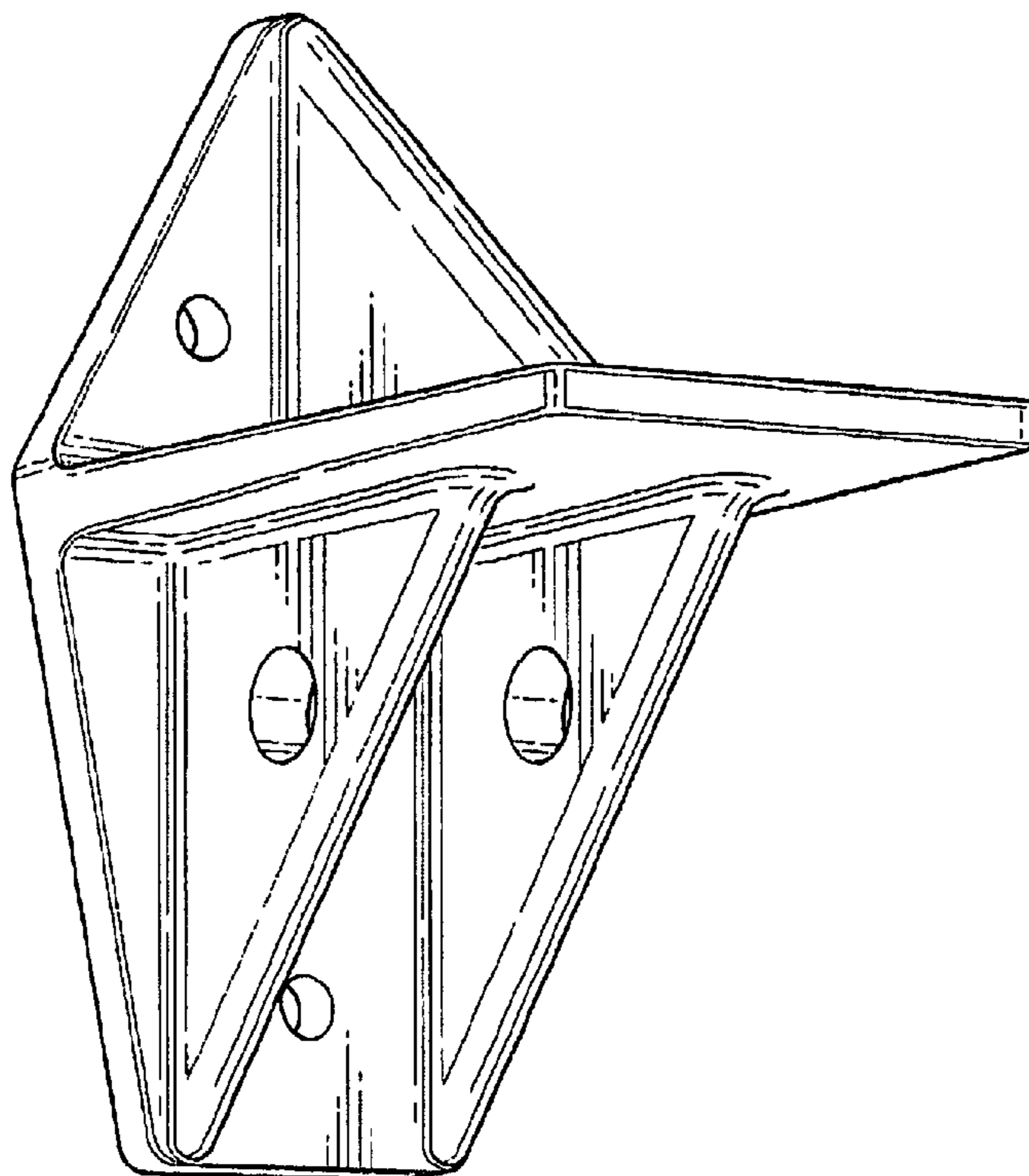
FIG. 6 is a second end plan view of the complimentary roof snow and ice breaking and holding device, as seen from the opposite side of the side plan view shown in FIG. 2.

1 Claim, 2 Drawing Sheets

(56) **References Cited**

U.S. PATENT DOCUMENTS

- 625,144 A 5/1899 Clark
- 1,463,065 A 7/1923 Sieger
- 3,296,750 A 1/1967 Zaleski
- D254,051 S 1/1980 Zaleski
- D314,506 S 2/1991 McMullen
- 5,349,791 A 9/1994 Zaleski
- D364,556 S 11/1995 Lee et sl.
- 5,471,799 A * 12/1995 Smeja et al. 52/24
- 5,570,557 A 11/1996 Kwiatkowski et al.
- 5,664,374 A * 9/1997 Lee 52/24
- 5,711,114 A 1/1998 Mueller
- D418,403 S 1/2000 Cline
- D419,863 S 2/2000 Mullane



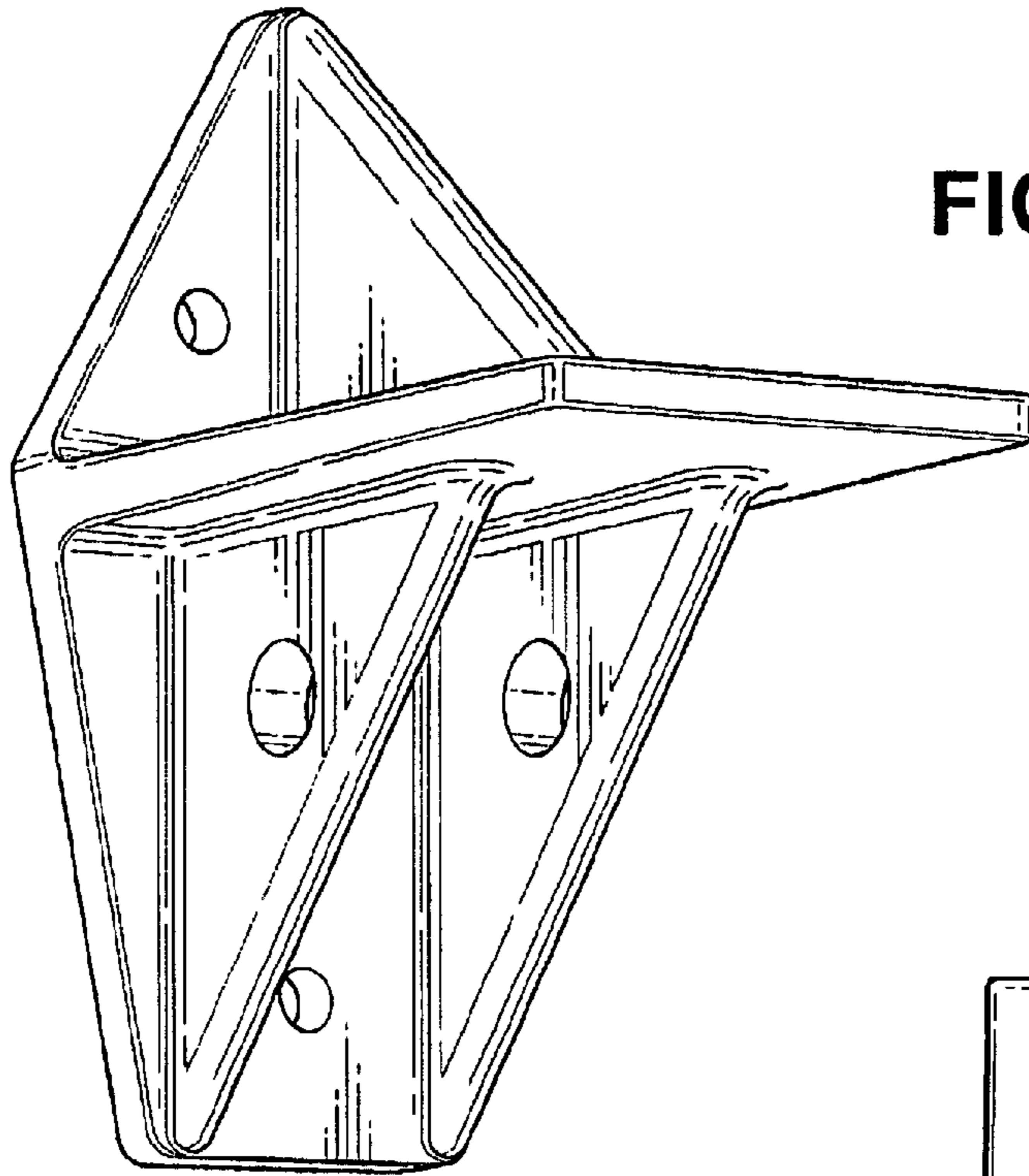


FIG - 1

FIG - 2

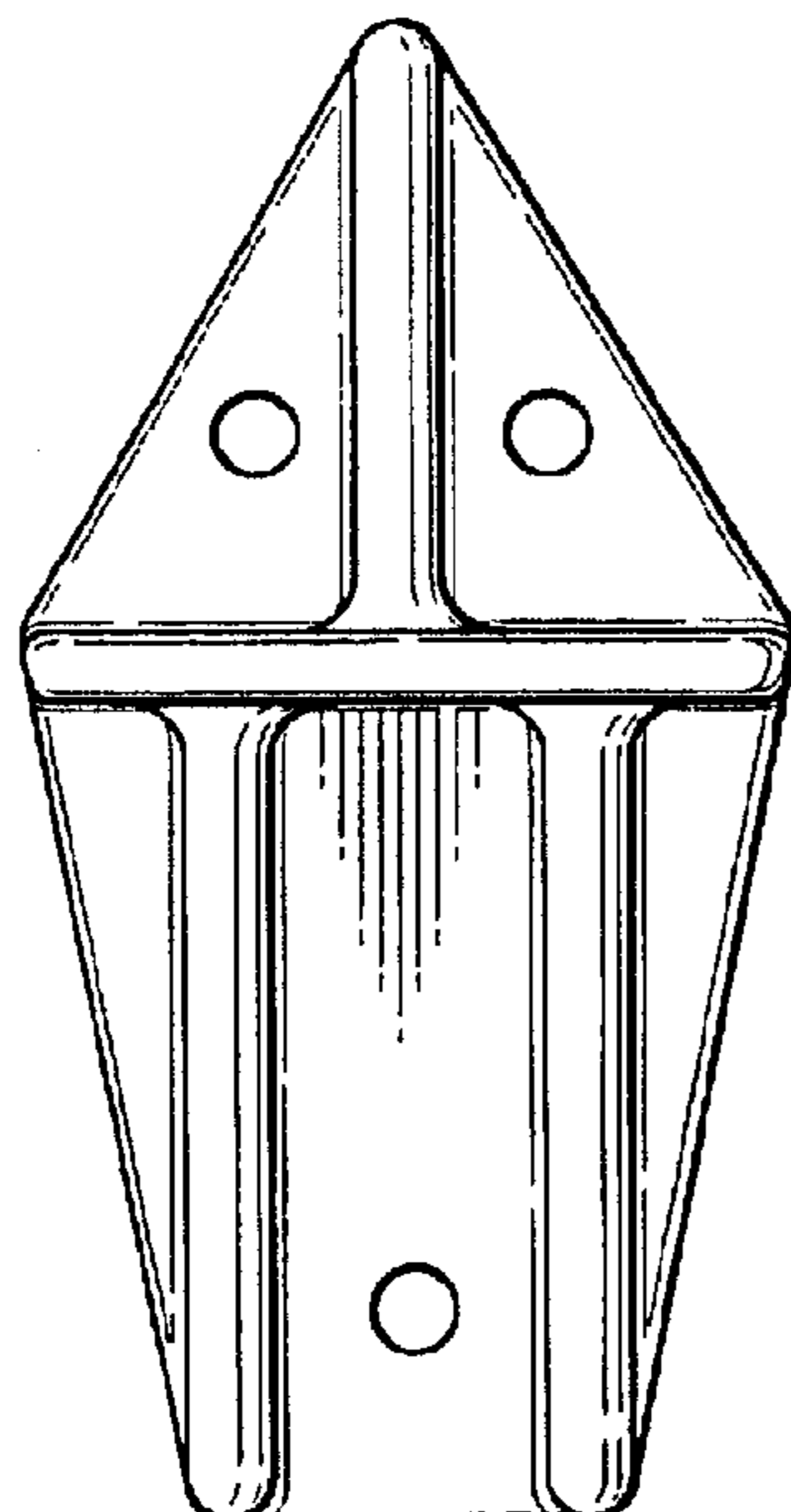
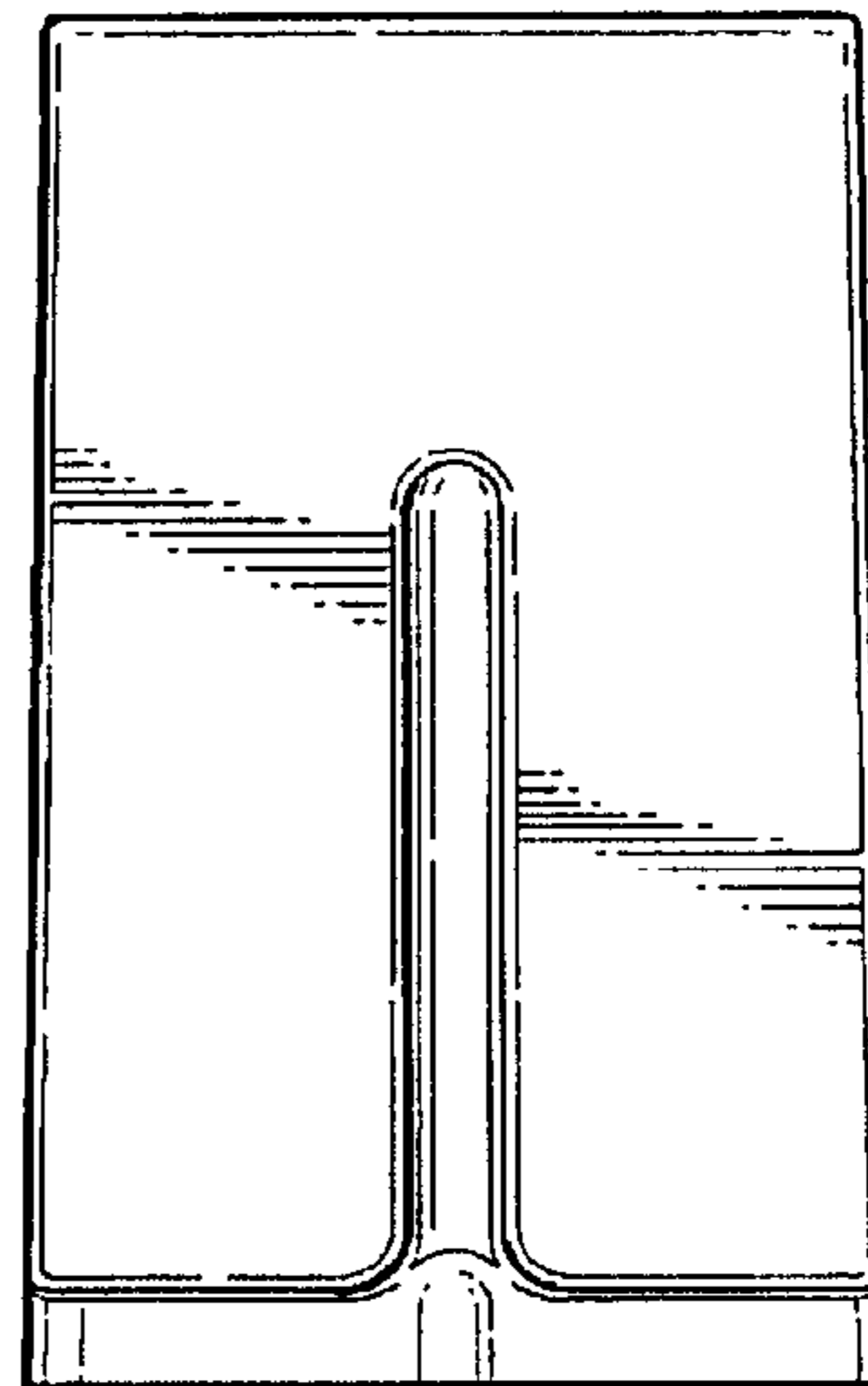


FIG - 3

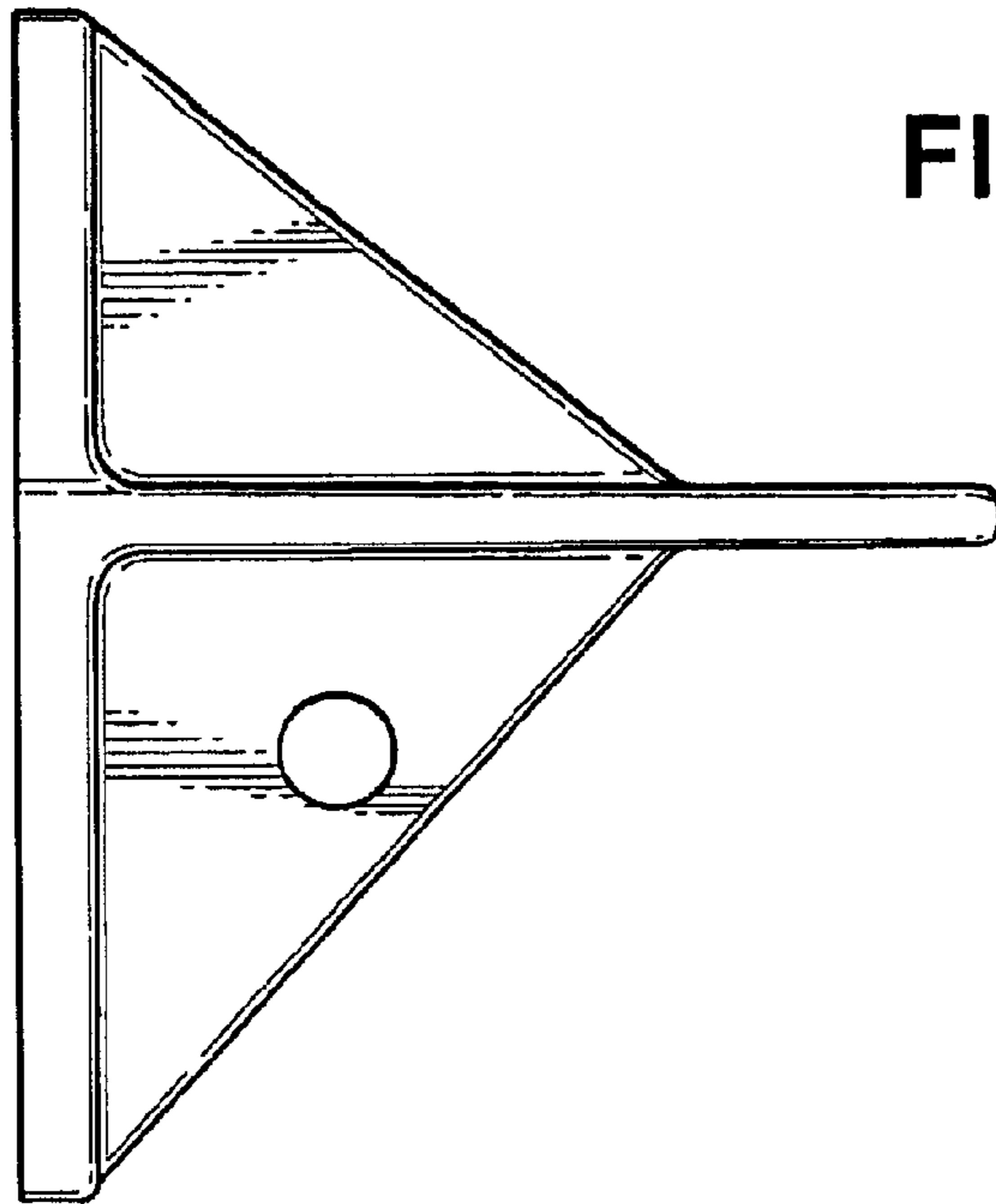


FIG - 4

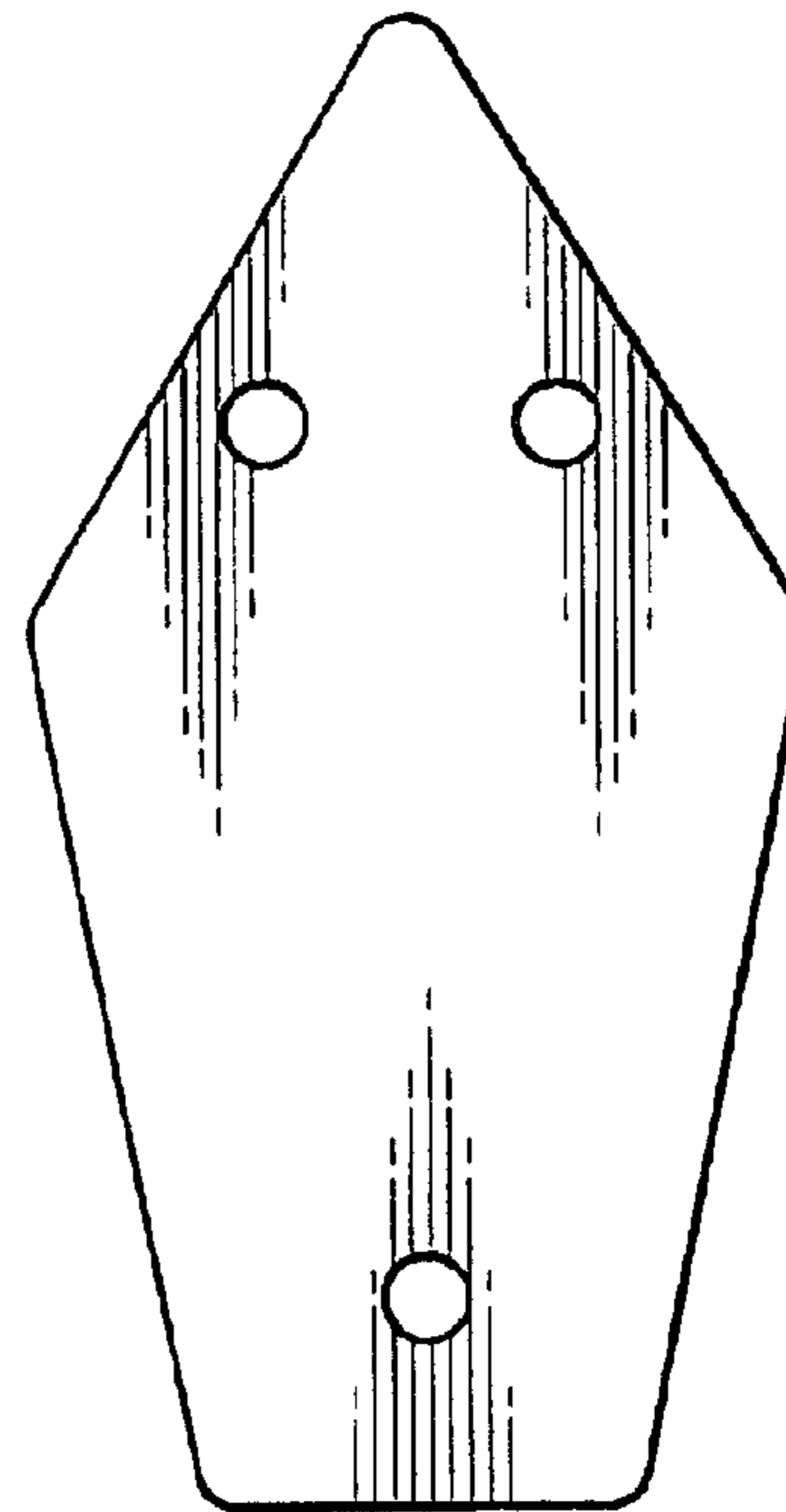


FIG - 5

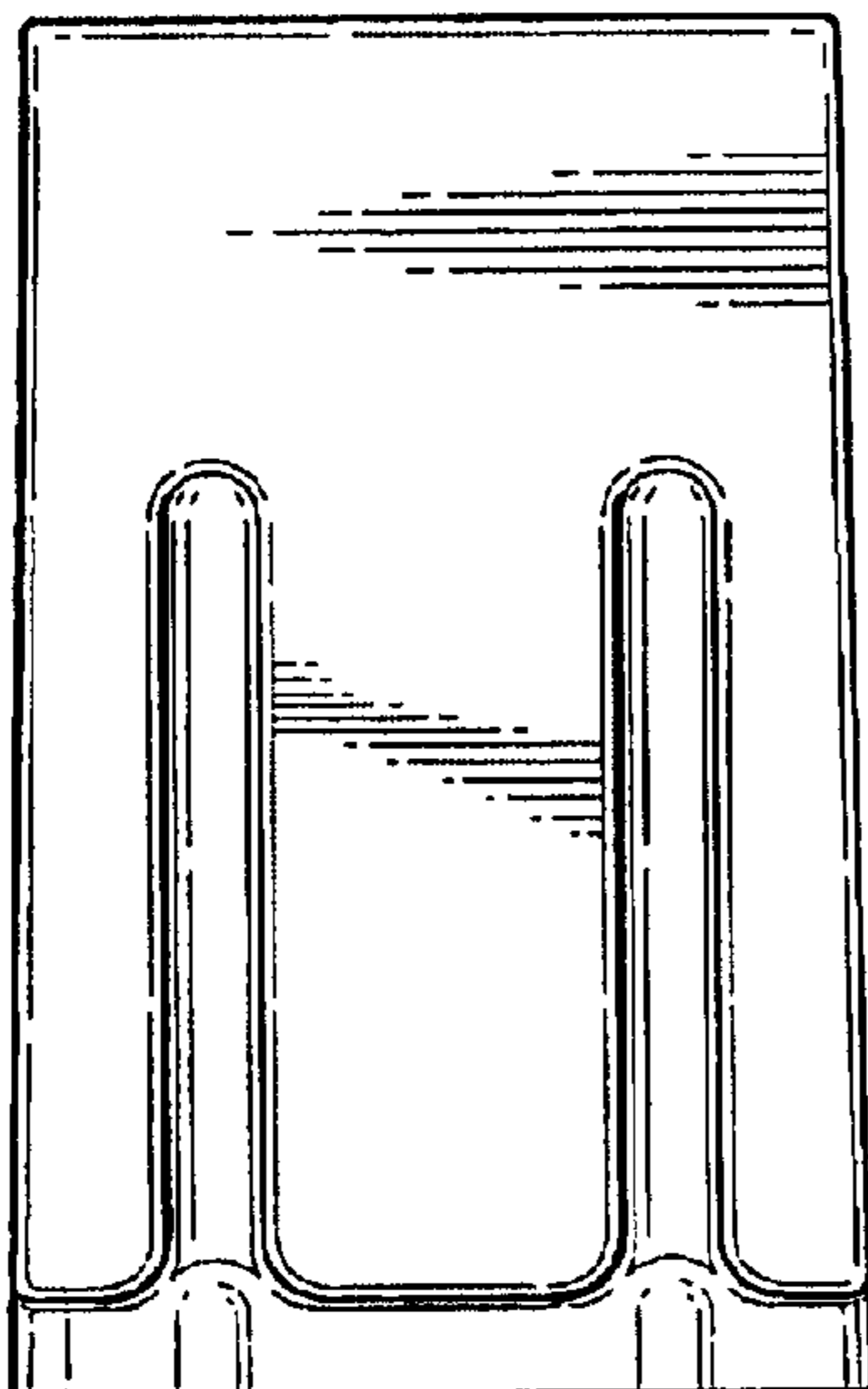


FIG - 6