

US00D499002S

(12) **United States Design Patent**
Troxell

(10) **Patent No.:** **US D499,002 S**

(45) **Date of Patent:** **** Nov. 30, 2004**

(54) **UNIVERSAL GUIDE FOR HOLE SAWS**

(76) **Inventor:** **Ronald V. Troxell**, 18392 Enterprise
La., Huntington Beach, CA (US) 92648

(**) **Term:** **14 Years**

(21) **Appl. No.:** **29/189,565**

(22) **Filed:** **Sep. 8, 2003**

(51) **LOC (7) Cl.** **08-03**

(52) **U.S. Cl.** **D8/70**

(58) **Field of Search** D8/70, 61, 64;
D15/134, 138, 139; 408/75, 79, 81, 82,
97, 103, 104, 105, 72 B, 115 R, 107, 204

(56) **References Cited**

U.S. PATENT DOCUMENTS

D159,723 S	*	8/1950	Glade	D8/70
3,162,066 A		12/1964	Morey et al.	77/62
3,761,193 A	*	9/1973	Del Giudice	408/115 R
3,762,452 A	*	10/1973	Bernald	D8/70
3,804,546 A	*	4/1974	Boyajian	408/115 R
3,874,810 A	*	4/1975	Russell	D8/70
3,917,427 A		11/1975	Hickman	408/72
4,248,554 A	*	2/1981	Boucher et al.	408/241 B
4,279,552 A	*	7/1981	Epstein	D8/70
4,492,498 A		1/1985	Kaufman	408/115
4,579,486 A	*	4/1986	Damico	408/79
4,733,996 A	*	3/1988	Catapano	408/79
D295,016 S	*	4/1988	Forrester	D8/70
D301,148 S	*	5/1989	Thompson	D15/134
4,836,720 A	*	6/1989	Hadden	408/75
4,896,663 A	*	1/1990	Vandewalls	408/97
4,952,101 A	*	8/1990	Coombs	408/115 R
D324,526 S	*	3/1992	Degen	D8/70
5,222,845 A	*	6/1993	Goldstein et al.	408/103
D337,501 S	*	7/1993	Witt	D8/70
5,366,326 A	*	11/1994	Converse	408/241 B
5,743,682 A	*	4/1998	Chaney, Sr.	408/79

5,800,099 A	*	9/1998	Cooper	408/97
5,807,034 A		9/1998	Perlmutter et al.	408/67
5,984,594 A		11/1999	Osborne et al.	408/1 R
6,065,909 A	*	5/2000	Cook	408/206
6,077,001 A		6/2000	Fetzer	408/115
6,109,839 A	*	8/2000	Thomas	408/82
6,129,489 A		10/2000	Linderholm	409/178
6,186,708 B1	*	2/2001	Fridman	408/79
6,193,449 B1	*	2/2001	Diaz	408/115 R
6,296,426 B1		10/2001	King et al.	408/76
6,390,738 B1	*	5/2002	Fridman	408/103
6,394,712 B1	*	5/2002	Weinstein et al.	408/103
2002/0168237 A1	*	11/2002	Cline et al.	408/103
2004/0131435 A2	*	7/2004	Trettin et al.	408/115 R
2004/0141821 A1	*	7/2004	Otten	408/103

* cited by examiner

Primary Examiner—Joel Sincavage

Assistant Examiner—T. Chase Nelson

(74) *Attorney, Agent, or Firm*—James G O'Neill; Klein
O'Neill & Singh, LLP

(57) **CLAIM**

The ornamental design for a universal guide for hole saws,
as shown and described.

DESCRIPTION

FIG. 1 is a front elevational view of a universal guide for
hole saws of the present invention, showing my new design;
the wall on which the universal guide is mounted and the
drill and hole saw shown in broken lines are for illustrative
purposes only and form no part of the claimed design

FIG. 2 is a top plan view of FIG. 1;

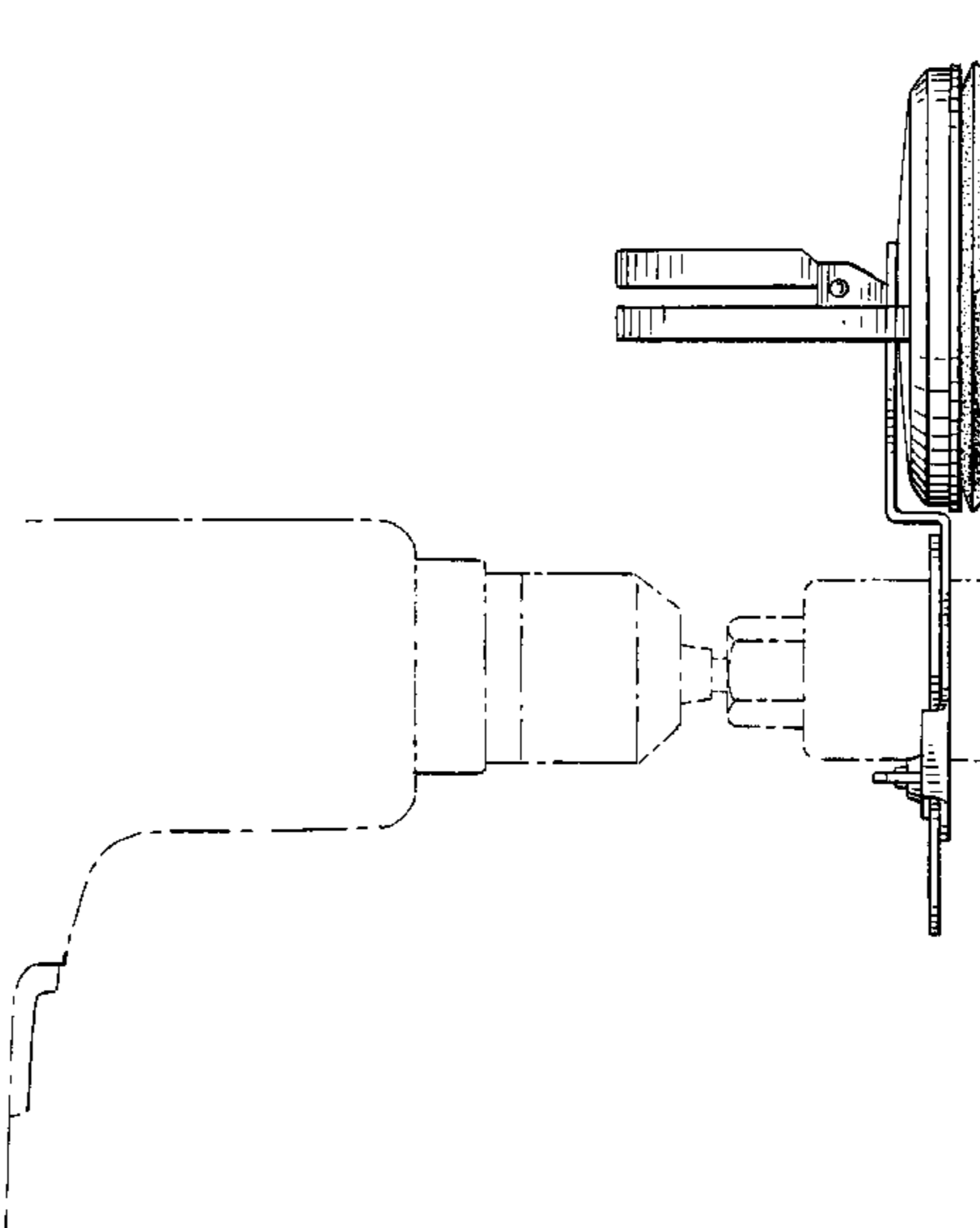
FIG. 3 is a bottom plan view of FIG. 1;

FIG. 4 is a left side view of FIG. 1;

FIG. 5 is a rear elevational view of FIG. 1; and,

FIG. 6 is a right side view of FIG. 1.

1 Claim, 2 Drawing Sheets



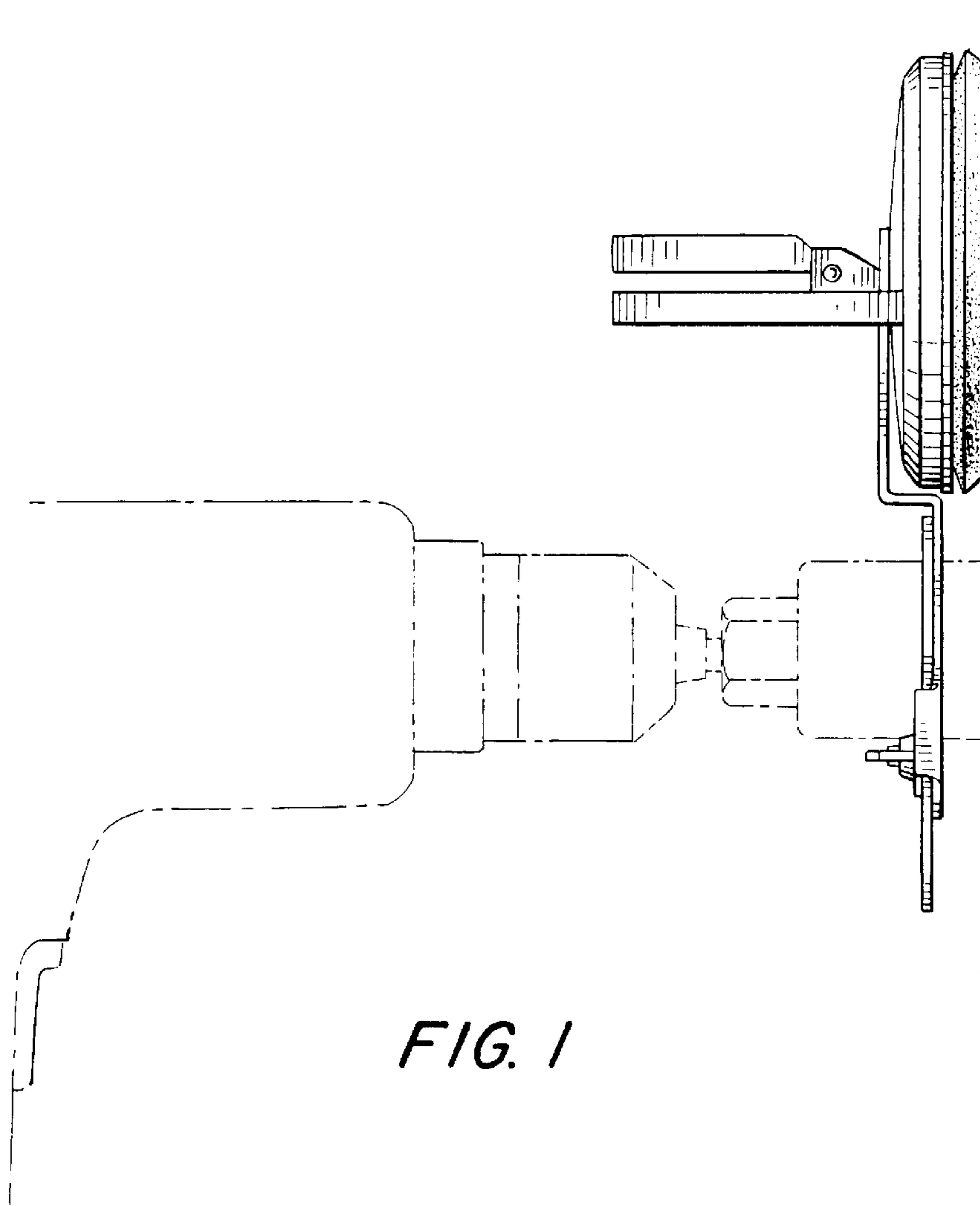


FIG. 1

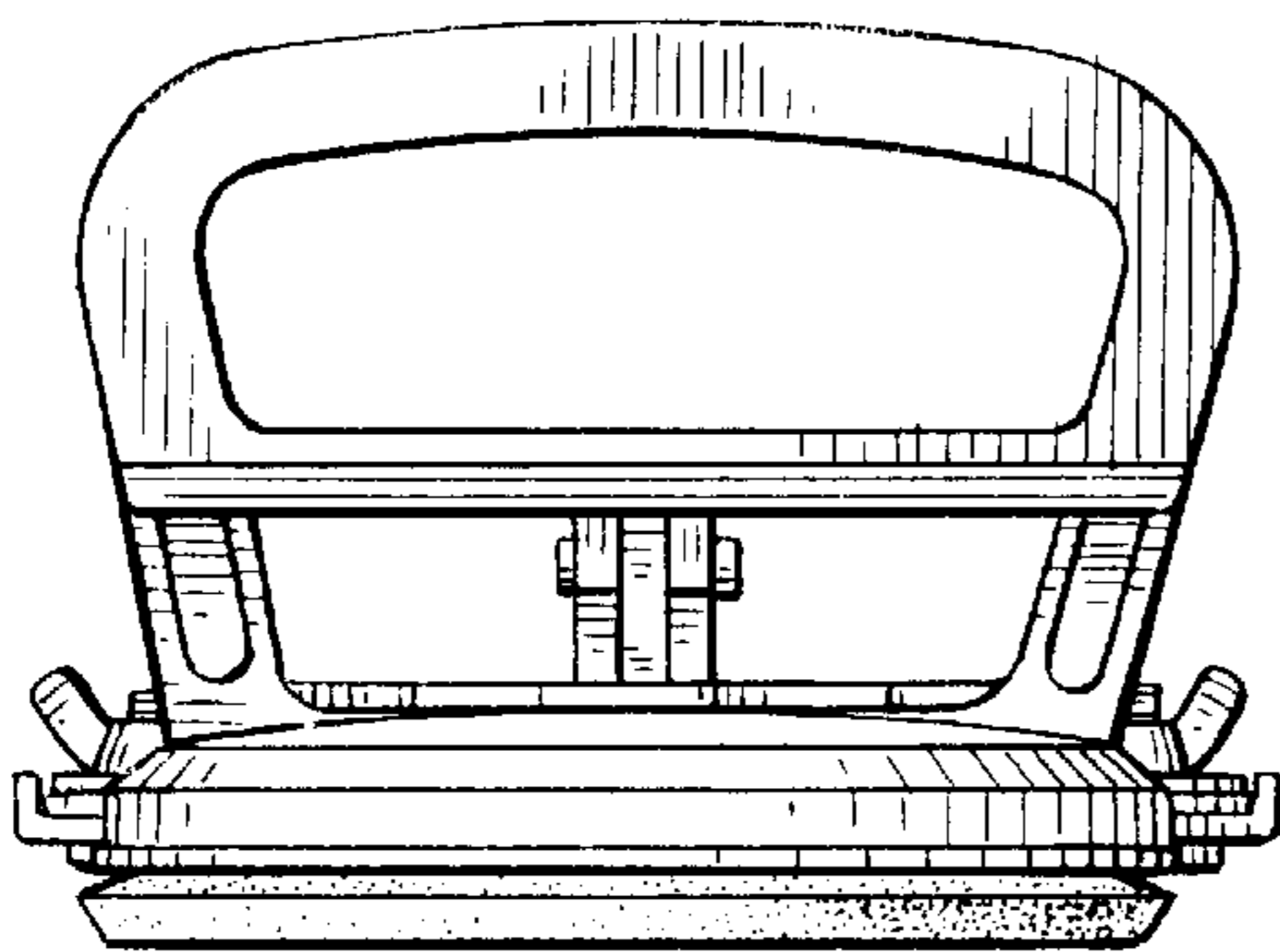


FIG. 2

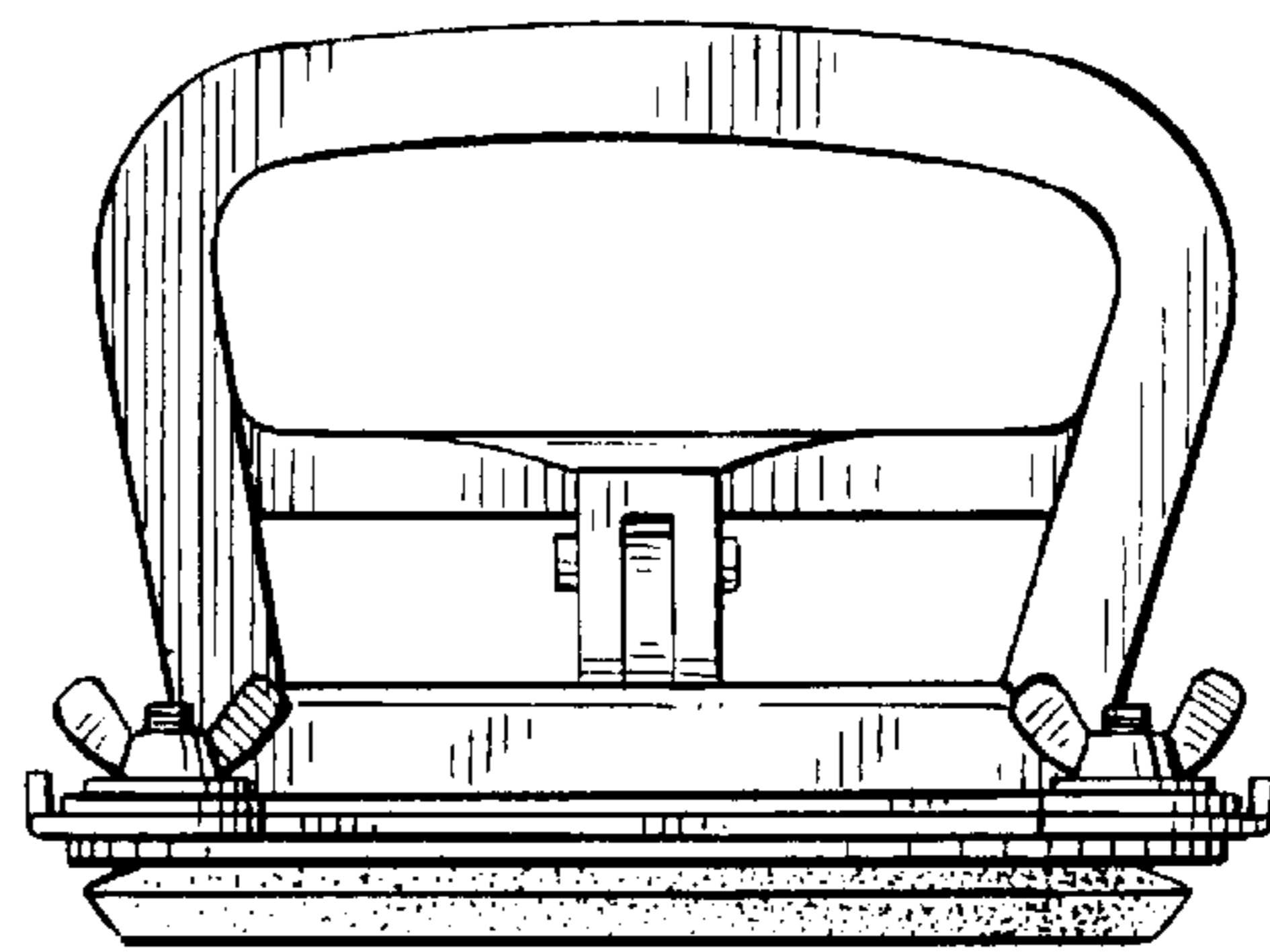


FIG. 3

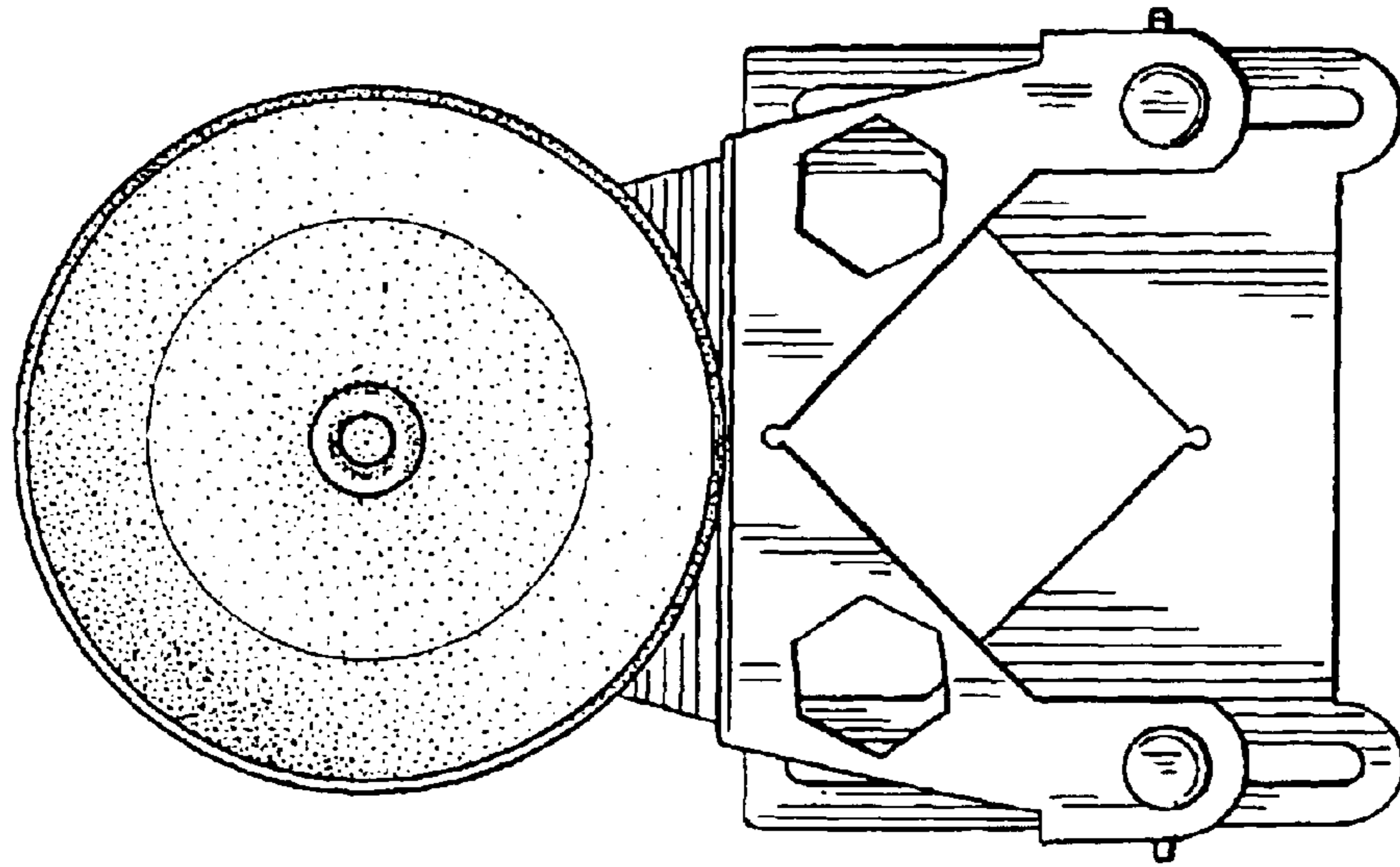


FIG. 6

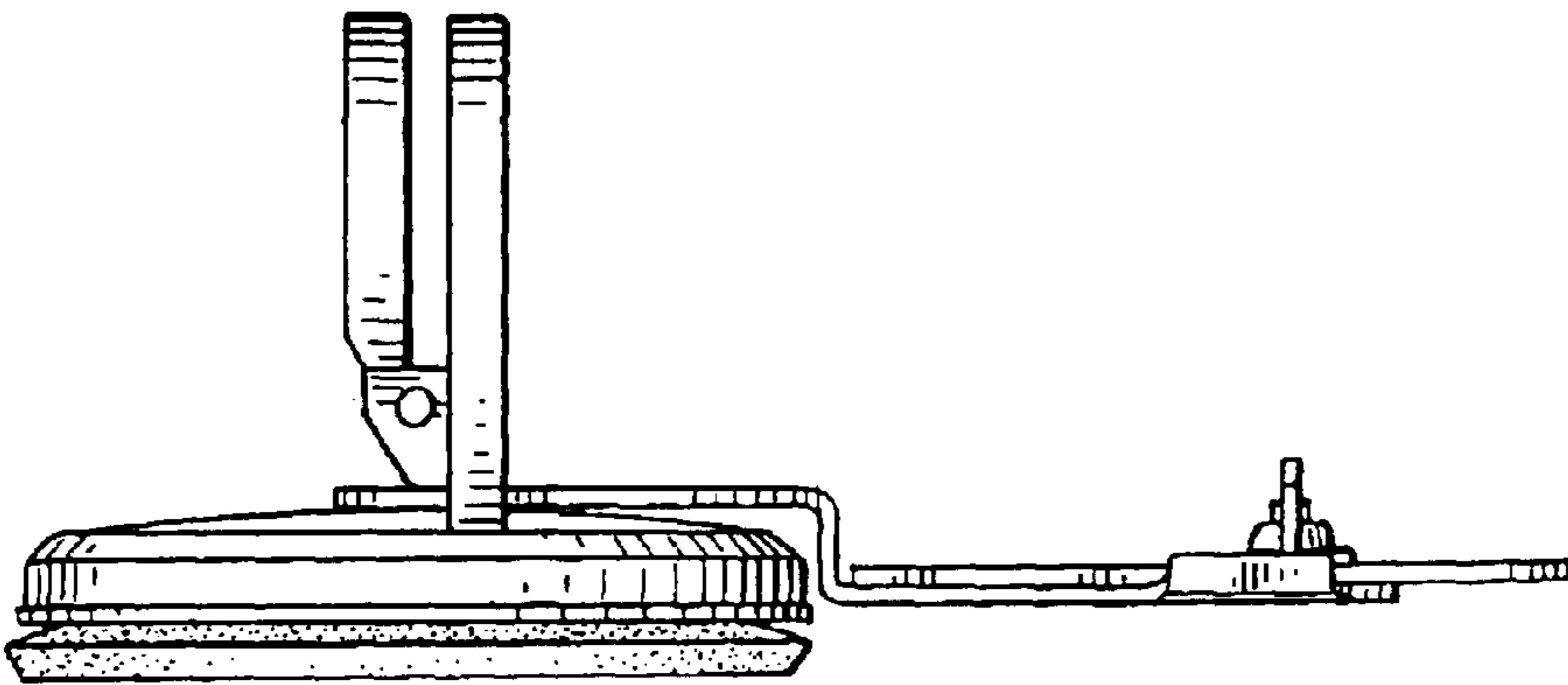


FIG. 5

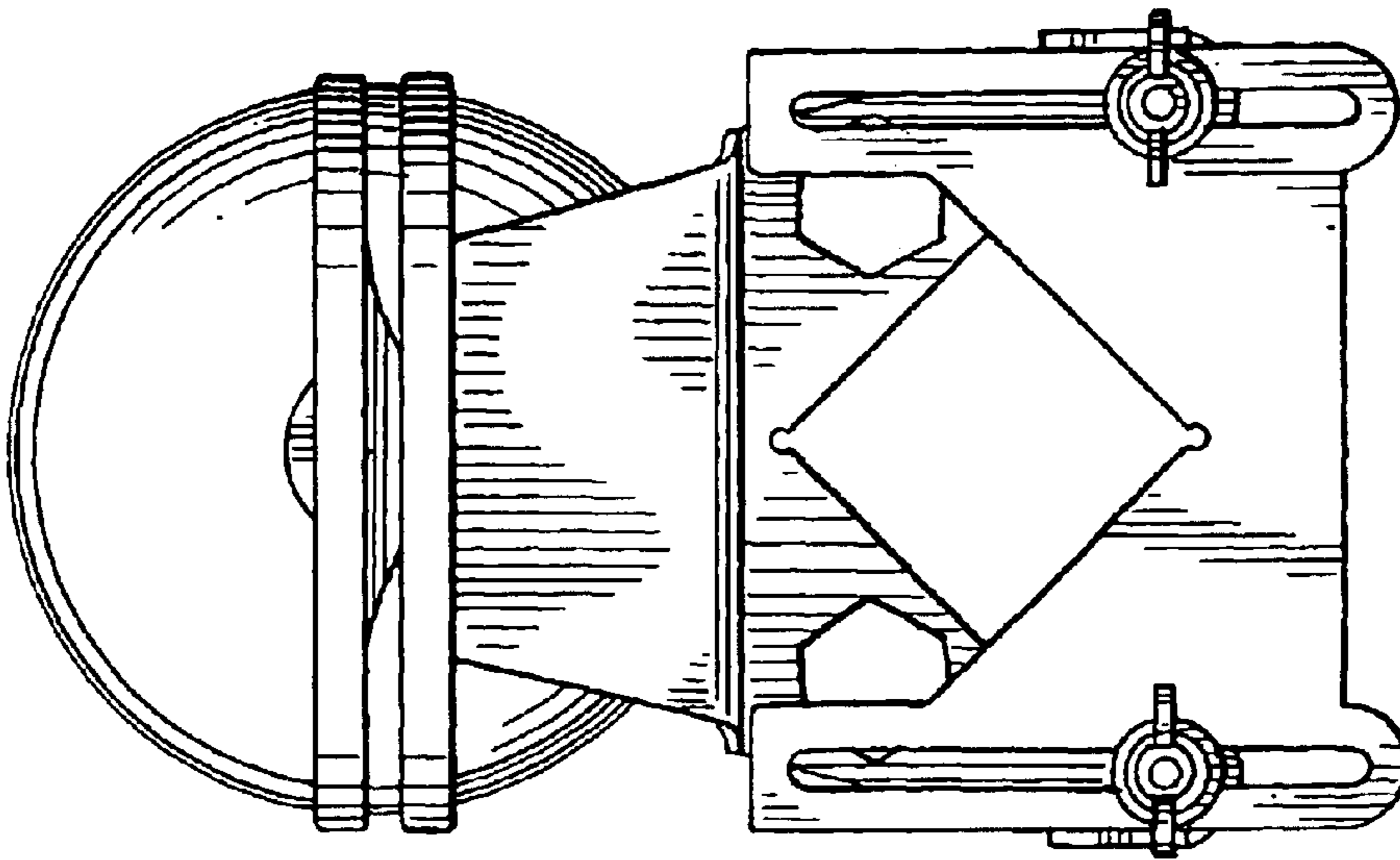


FIG. 4