



US00D499001S

(12) **United States Design Patent** (10) **Patent No.:** **US D499,001 S**  
**Wu** (45) **Date of Patent:** **\*\* Nov. 30, 2004**

(54) **LASER CIRCULAR SAW**

D453,099 S \* 1/2002 Welsh ..... D8/66  
D482,946 S \* 12/2003 DeBusk ..... D8/66  
D486,369 S \* 2/2004 Keller ..... D8/66

(75) Inventor: **Shuming Wu**, Nanjing (CN)

\* cited by examiner

(73) Assignee: **Chervon International Trading Co., Ltd.** (CN)

*Primary Examiner*—Caron D. Veynar

*Assistant Examiner*—Elizabeth Albert

(\*\*) Term: **14 Years**

(74) *Attorney, Agent, or Firm*—Welsh & Katz, Ltd.

(21) Appl. No.: **29/182,913**

(57) **CLAIM**

(22) Filed: **Jun. 3, 2003**

The ornamental design for a laser circular saw, as shown and described.

(30) **Foreign Application Priority Data**

**DESCRIPTION**

Dec. 3, 2002 (CN) ..... 02371418

(51) **LOC (7) Cl.** ..... **08-03**

FIG. 1 is a side view of a laser circular saw embodying my new invention;

(52) **U.S. Cl.** ..... **D8/66**

FIG. 2 is a side view of the laser circular saw as seen from an opposite side of that shown in FIG. 1;

(58) **Field of Search** ..... D8/61, 66, 67;  
D15/133; 30/373, 374, 375, 376, 377, 388,  
389, 390, 391, 392, 393, 394; 83/835, 847;  
125/13.01

FIG. 3 is a rear view of the laser circular saw;

FIG. 4 is a front view of the laser circular saw;

FIG. 5 is a bottom view of the laser circular saw;

FIG. 6 is top view of the laser circular saw;

FIG. 7 is a perspective view of the laser circular saw shown with the base plate at an angle; and,

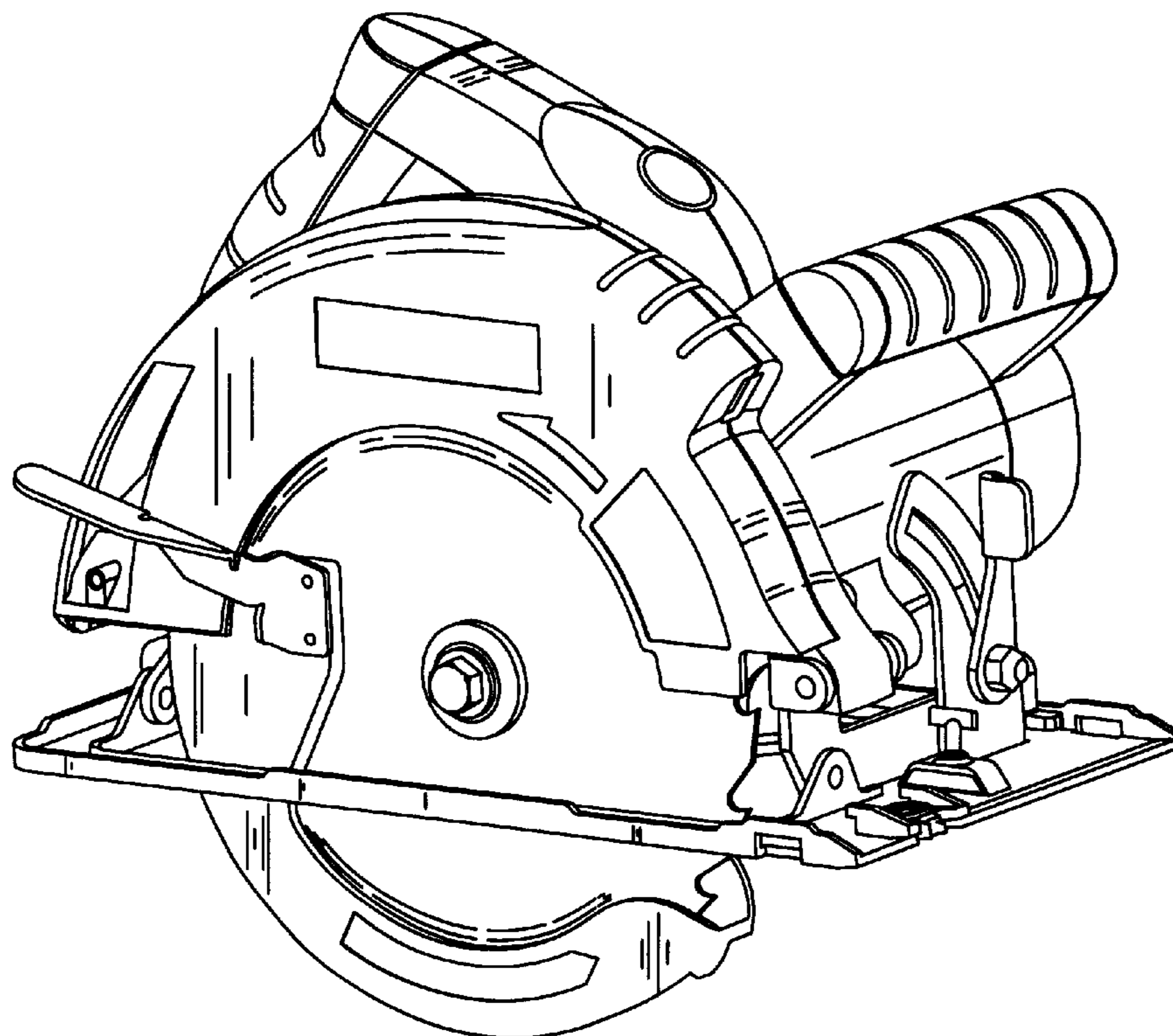
FIG. 8 is a perspective view of the laser circular saw shown with the base plate in a horizontal orientation.

(56) **References Cited**

**U.S. PATENT DOCUMENTS**

5,782,001 A \* 7/1998 Gray ..... 30/391  
6,108,916 A \* 8/2000 Zeiler et al. .... 30/391  
6,202,311 B1 \* 3/2001 Nickels, Jr. .... 30/376  
6,301,790 B1 \* 10/2001 Zeiler et al. .... 30/391

**1 Claim, 4 Drawing Sheets**



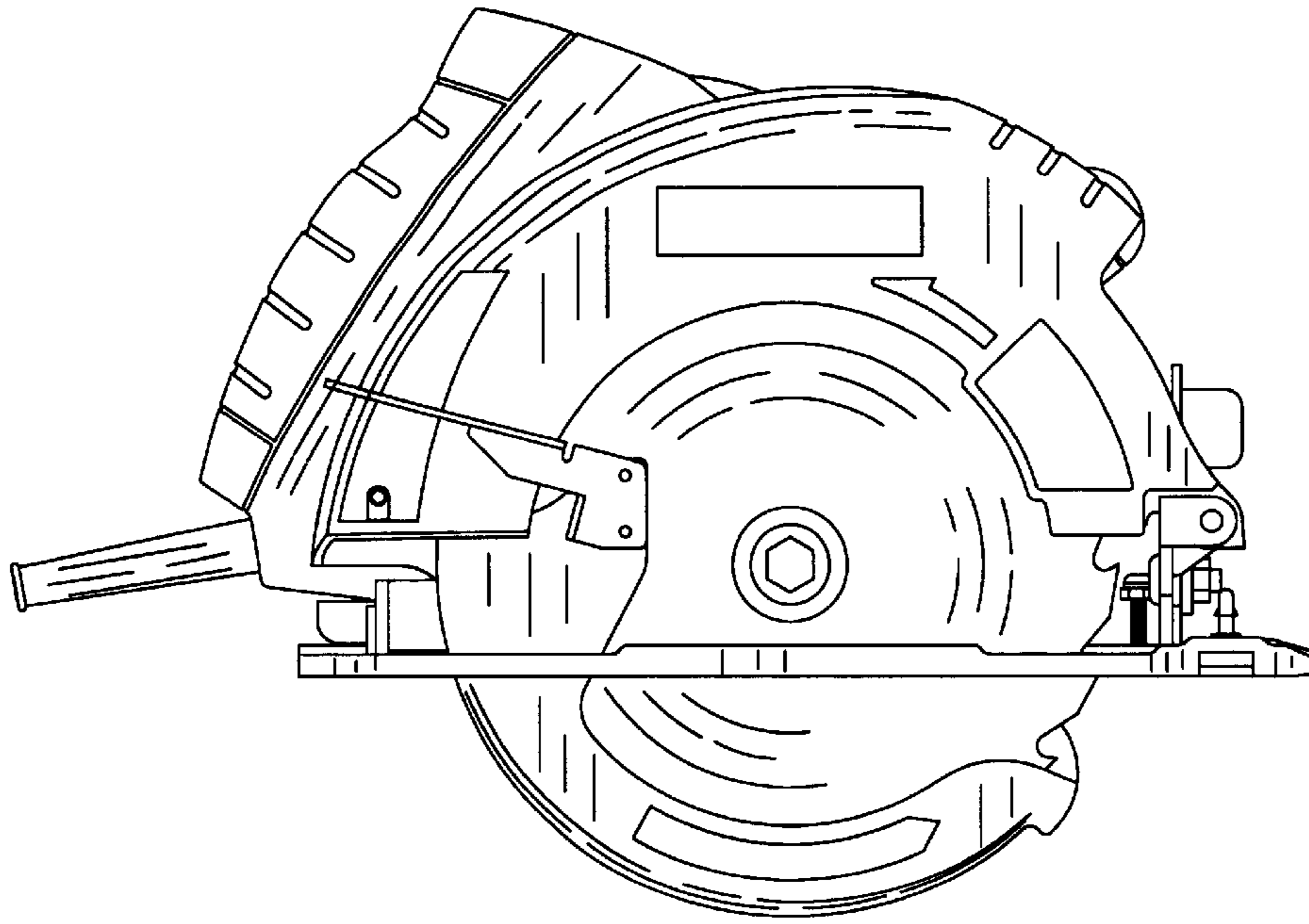


FIG. 1

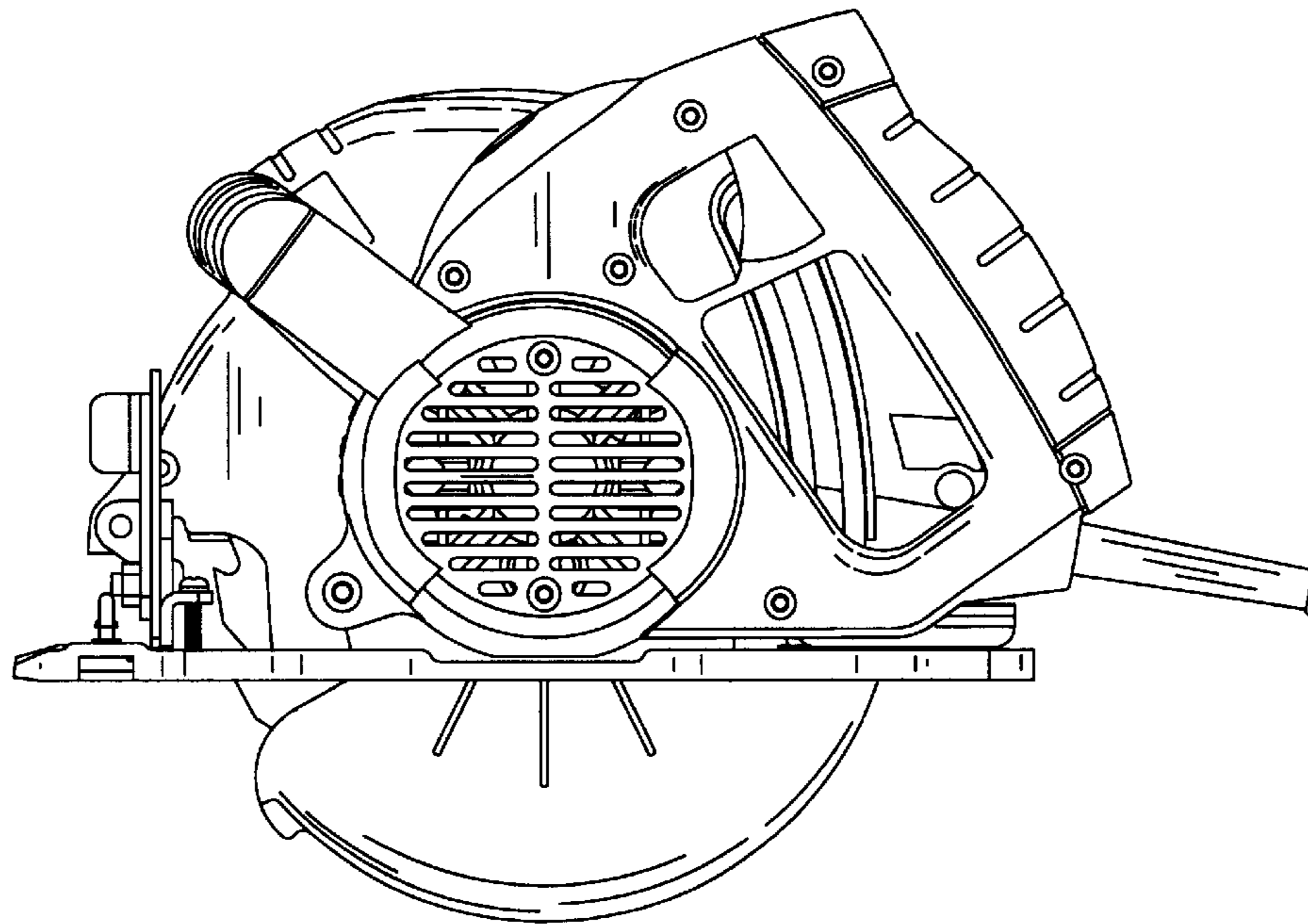


FIG. 2

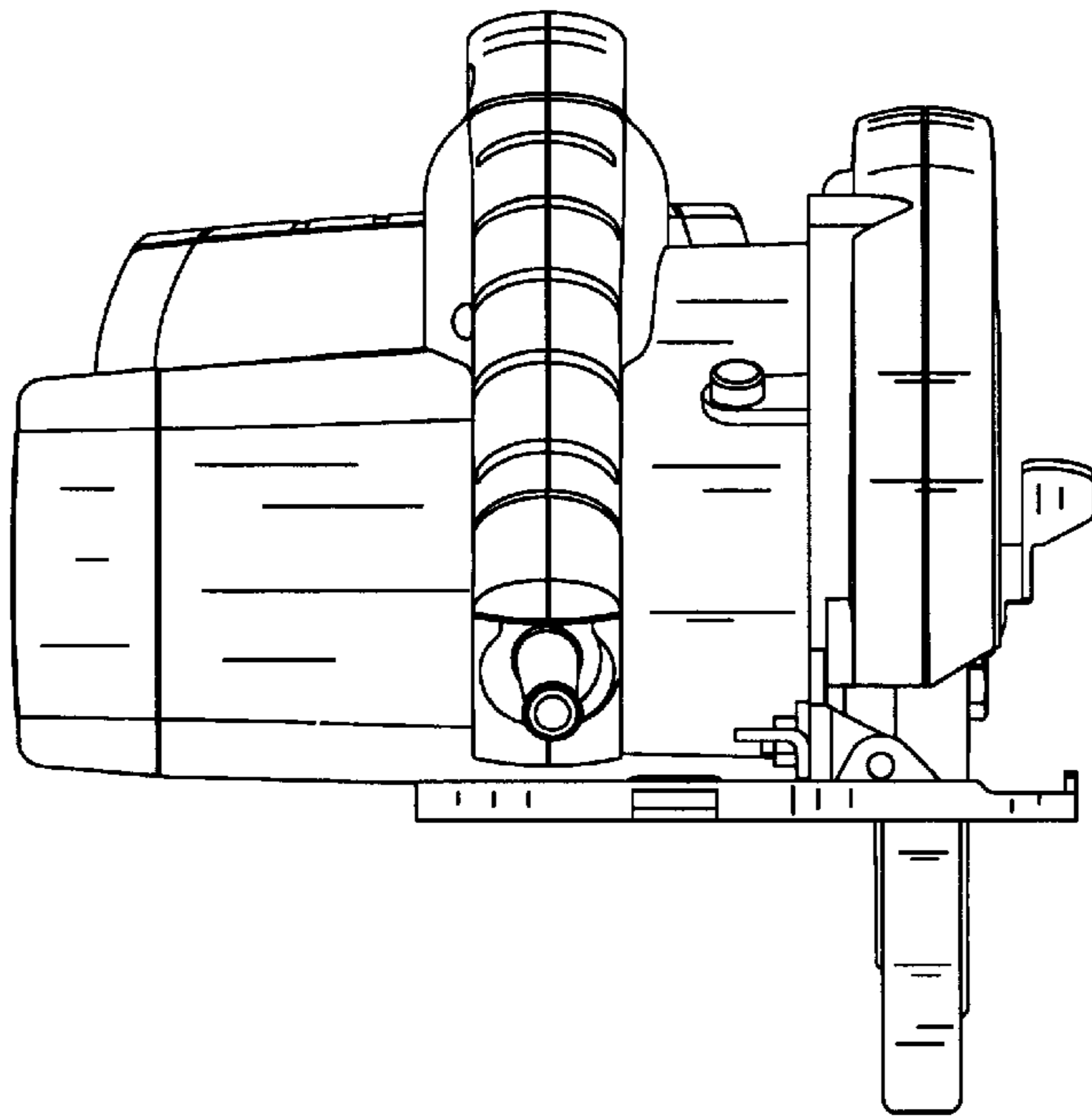


FIG.3

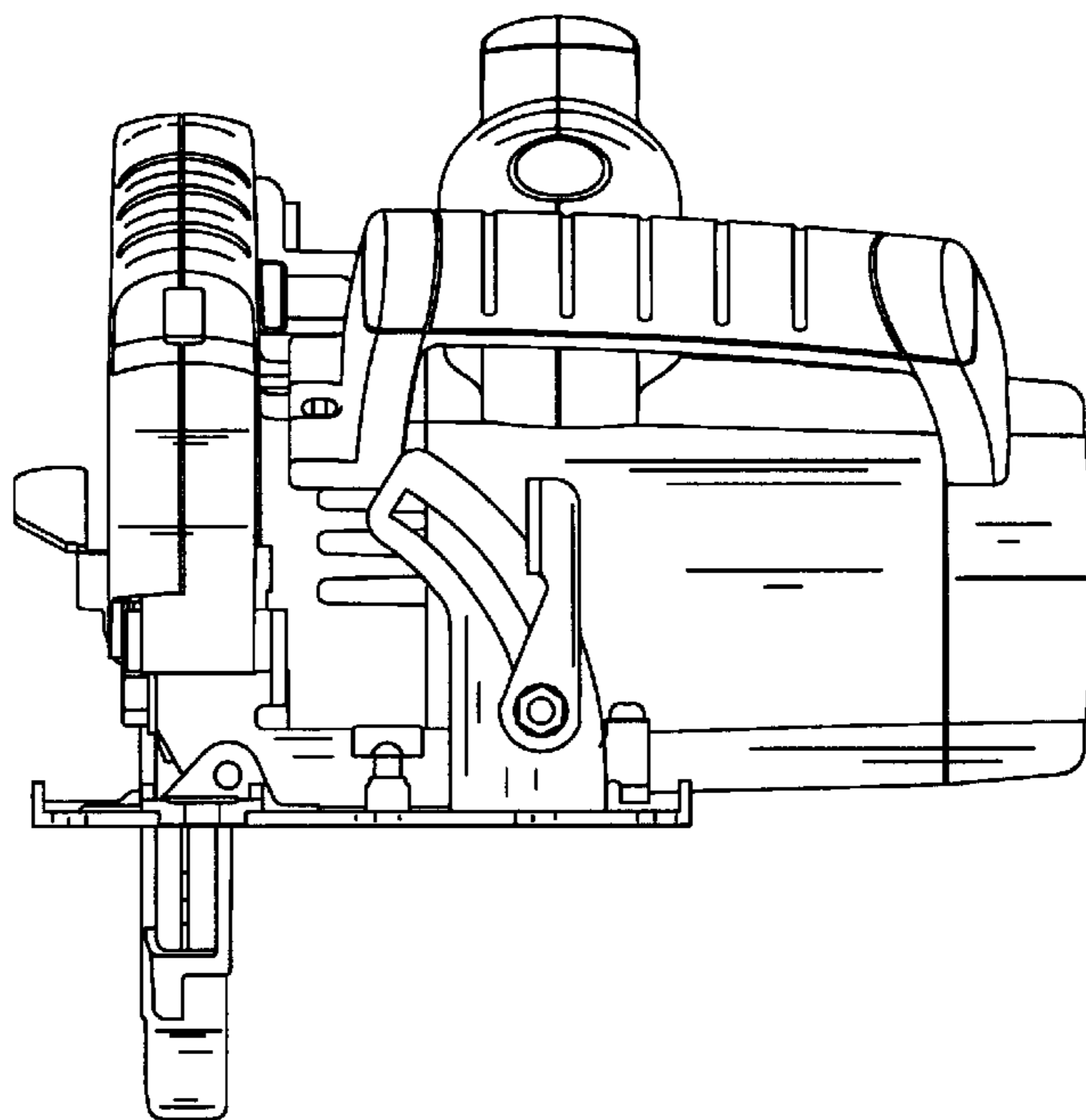


FIG.4

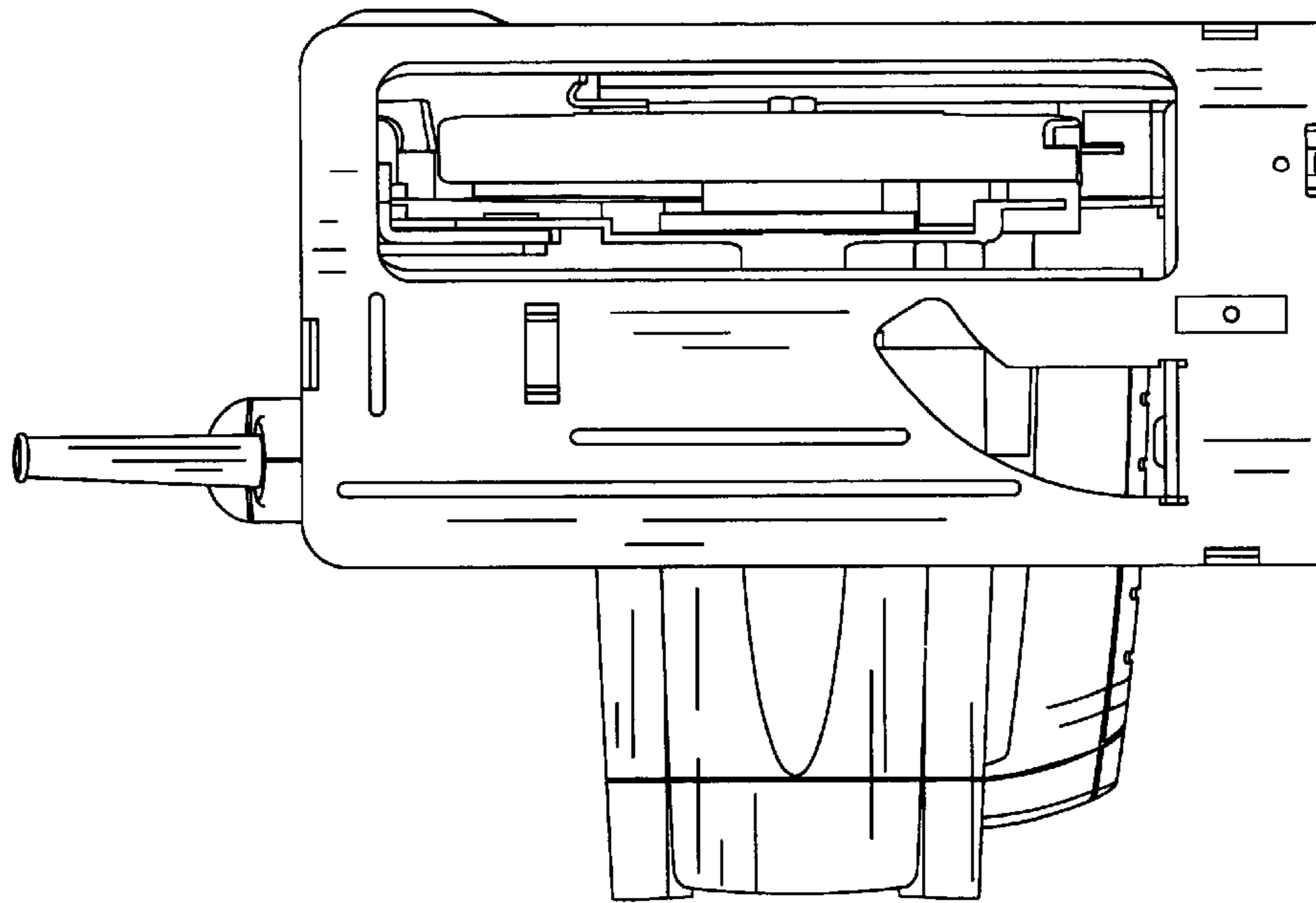


FIG. 5

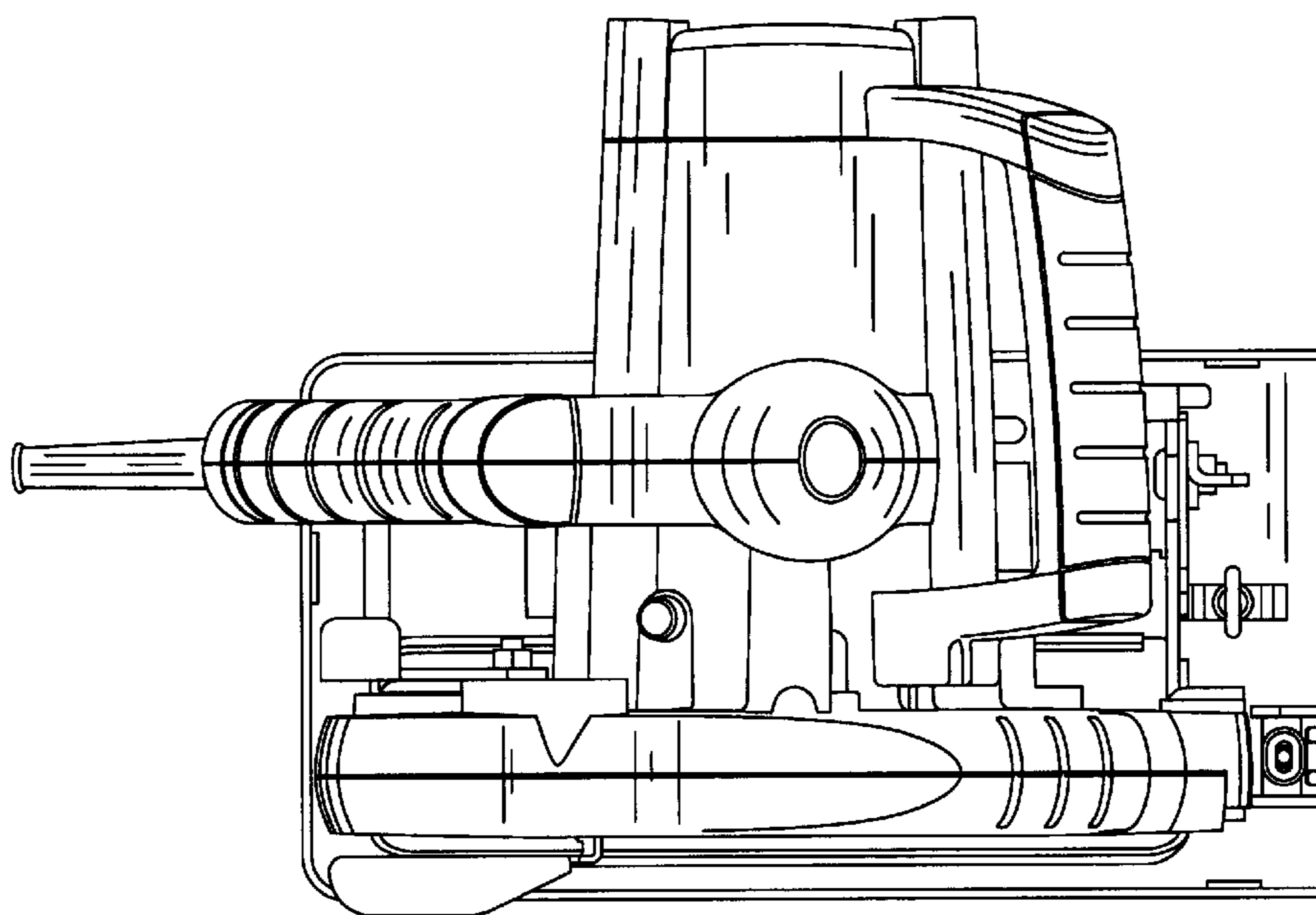


FIG. 6

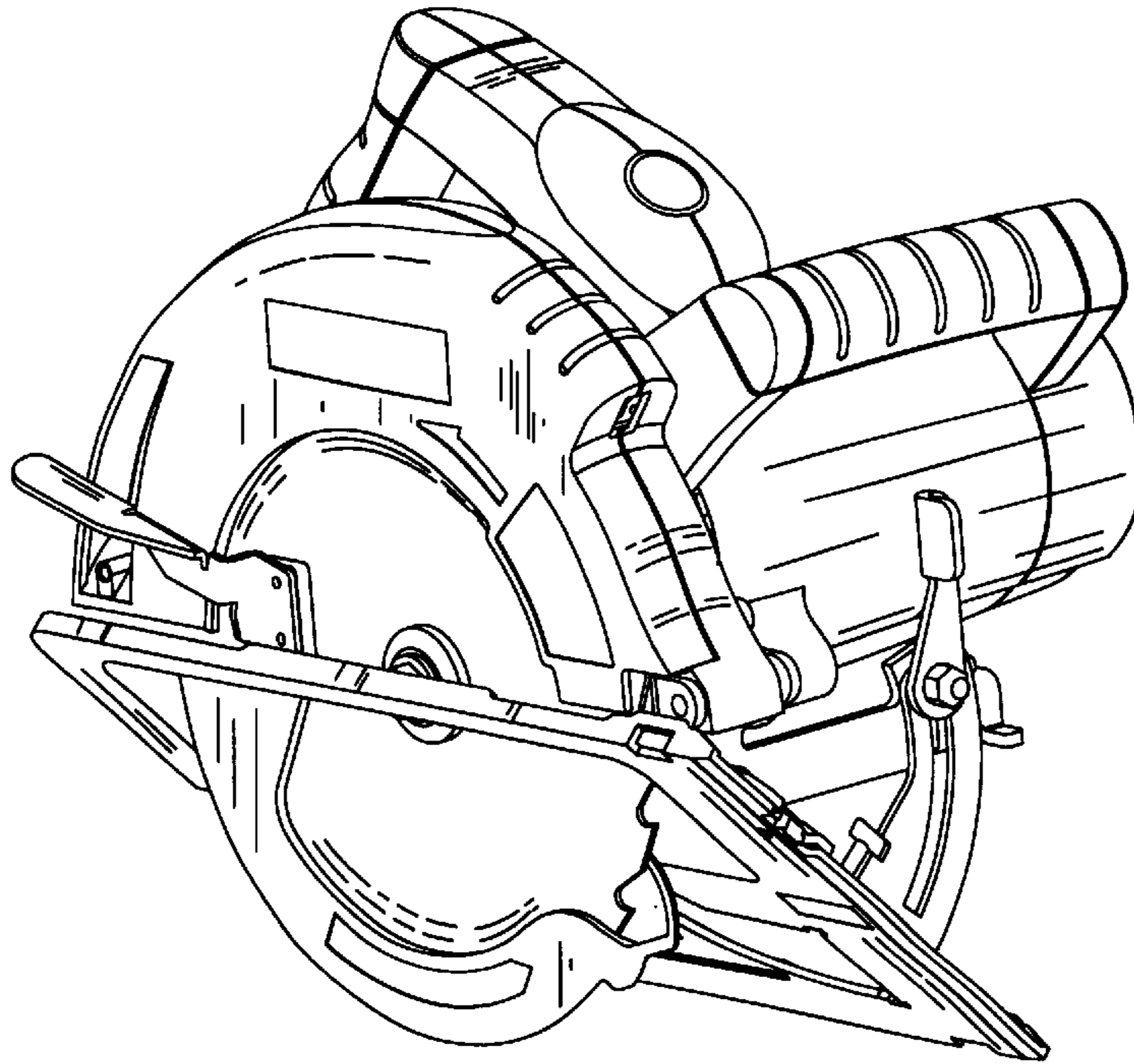


FIG. 7

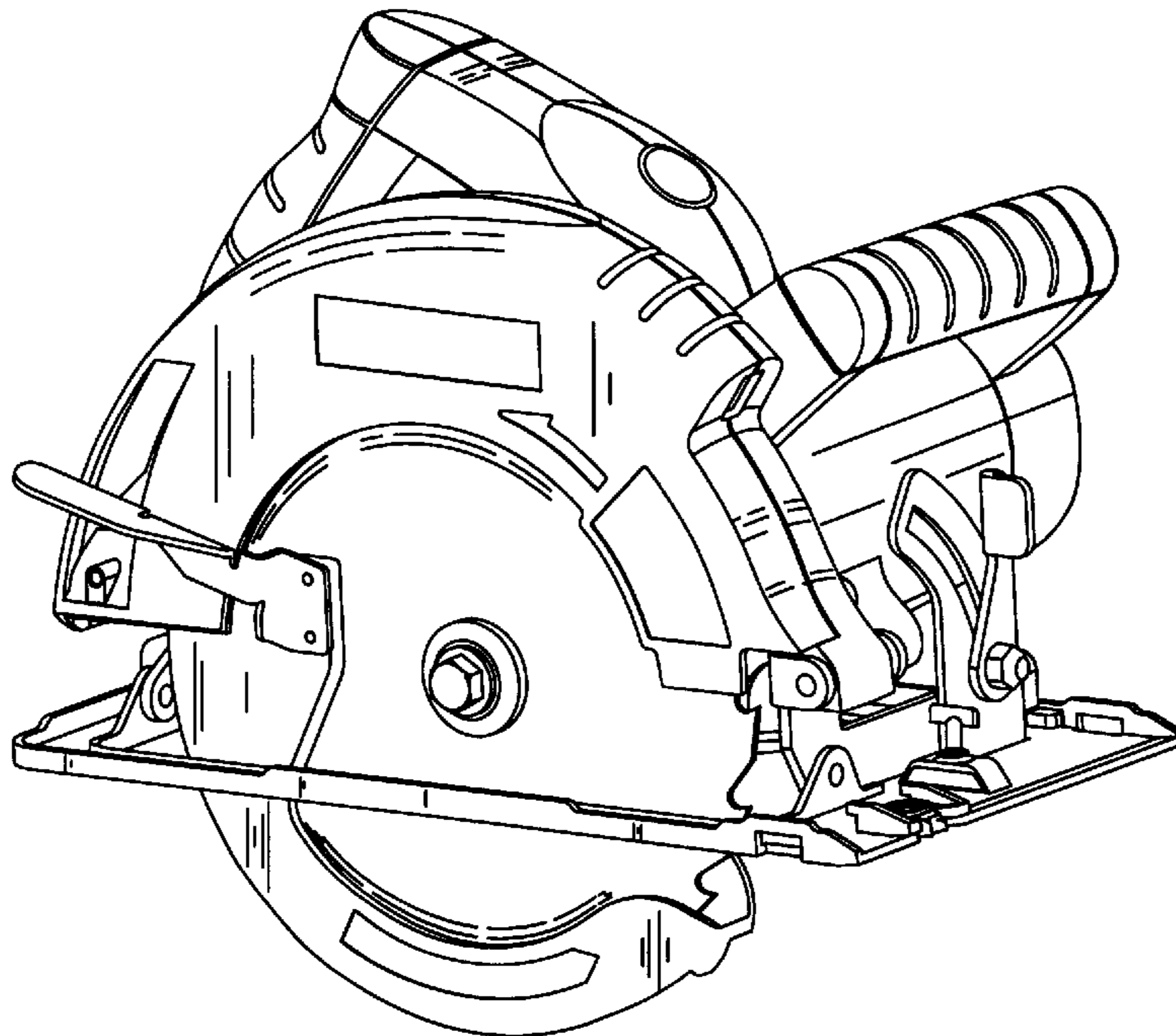


FIG. 8