



US00D498999S

(12) **United States Design Patent**
Bransby

(10) **Patent No.: US D498,999 S**

(45) **Date of Patent: ** Nov. 30, 2004**

(54) **FIREARM MAINTENANCE TOOL**

(76) **Inventor: Anthony James Bransby, 34 A Thor Street, Innaloo, Western Australia 6164 (AU)**

(**) **Term: 14 Years**

(21) **Appl. No.: 29/175,095**

(22) **Filed: Jan. 30, 2003**

(30) **Foreign Application Priority Data**

Jul. 30, 2002 (AU) 2306/2002

(51) **LOC (7) Cl. 08-05**

(52) **U.S. Cl. D8/55**

(58) **Field of Search D8/52, 55, 56, D8/58, 105, 107; 81/427.5, 3.6, 300, 313-317, 341, 342, 367-380, 415-417, 427; 7/125, 132**

(56) **References Cited**

U.S. PATENT DOCUMENTS

74,992 A * 3/1868 Comstock 7/127

2,819,633 A * 1/1958 Boehnke 72/409.01
D231,073 S * 4/1974 Woslum D8/55
D255,539 S * 6/1980 Graham D8/22
4,244,067 A * 1/1981 Rowe 7/107
D393,577 S * 4/1998 Huang D8/5
6,223,373 B1 * 5/2001 Yeh 7/127
2003/0154552 A1 * 8/2003 Oka 7/127

* cited by examiner

Primary Examiner—Clare E Heflin

(74) *Attorney, Agent, or Firm*—Rothwell, Figg, Ernst & Manbeck, PC

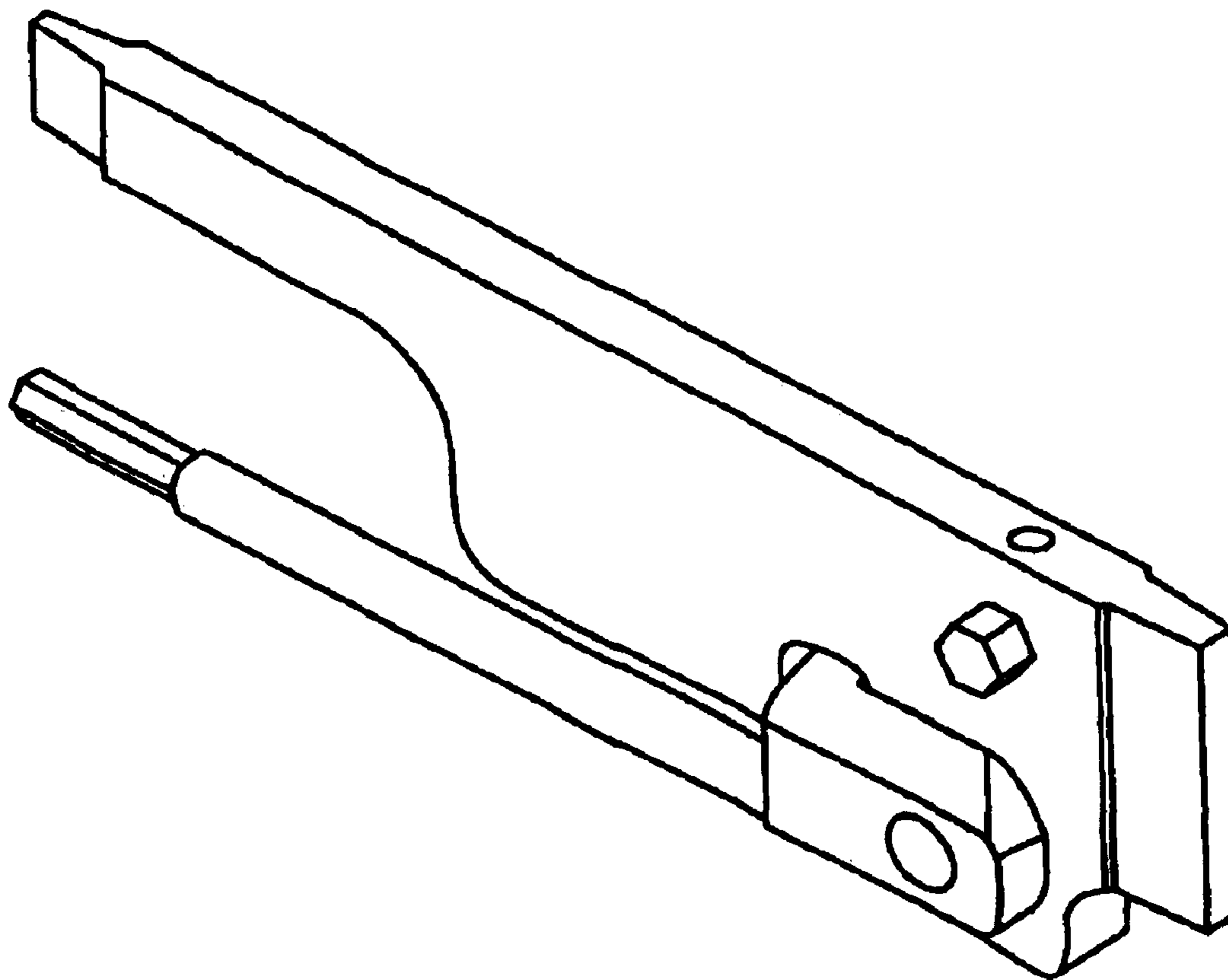
(57) **CLAIM**

The ornamental design of a firearm maintenance tool, as shown and described.

DESCRIPTION

FIG. 1 is an isometric view of the invention.
FIG. 2 is a side elevational view thereof.
FIG. 3 is a top elevational view thereof.
FIG. 4 is a left end elevational view thereof; and,
FIG. 5 is a right end elevational view thereof.

1 Claim, 2 Drawing Sheets



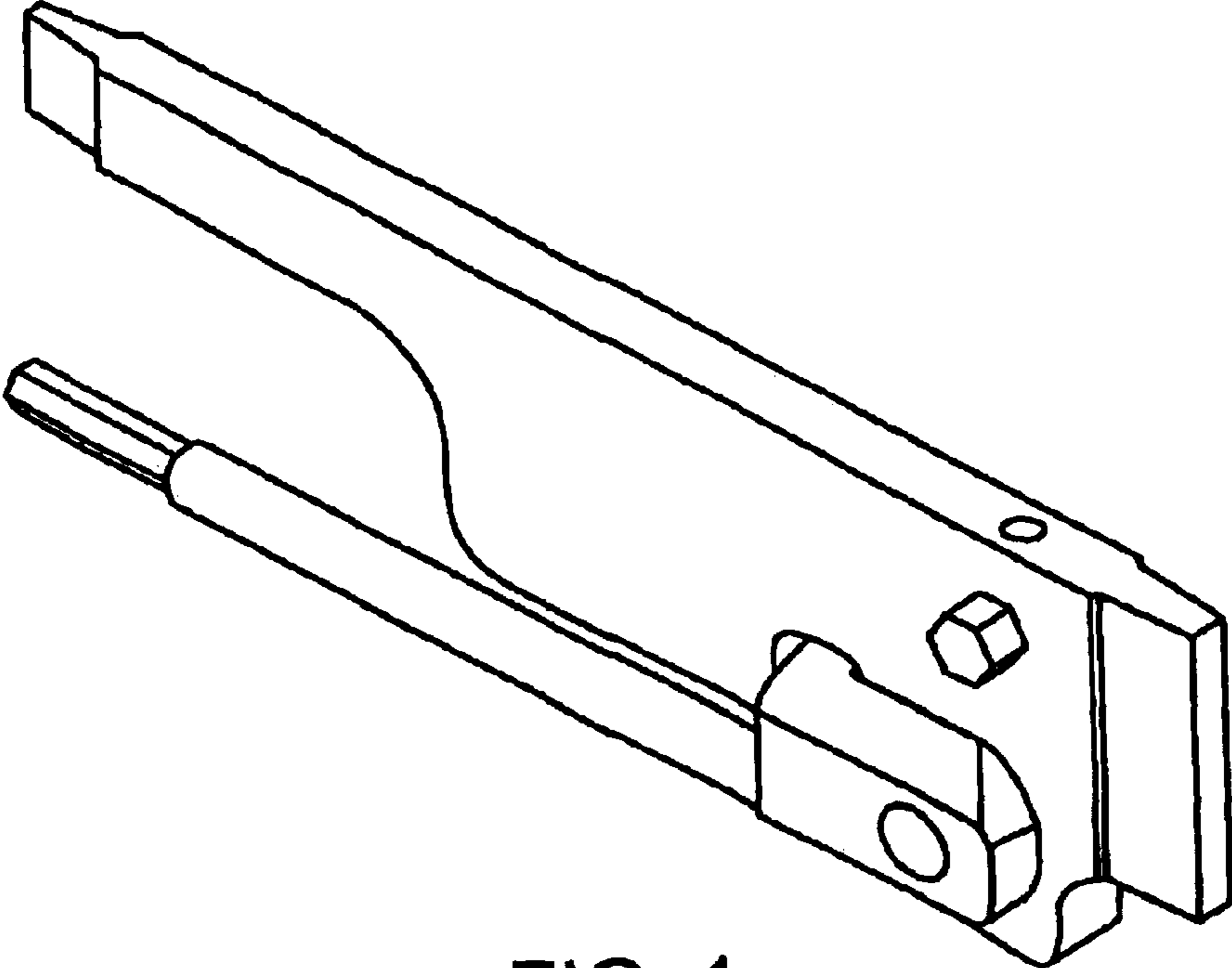


FIG. 1

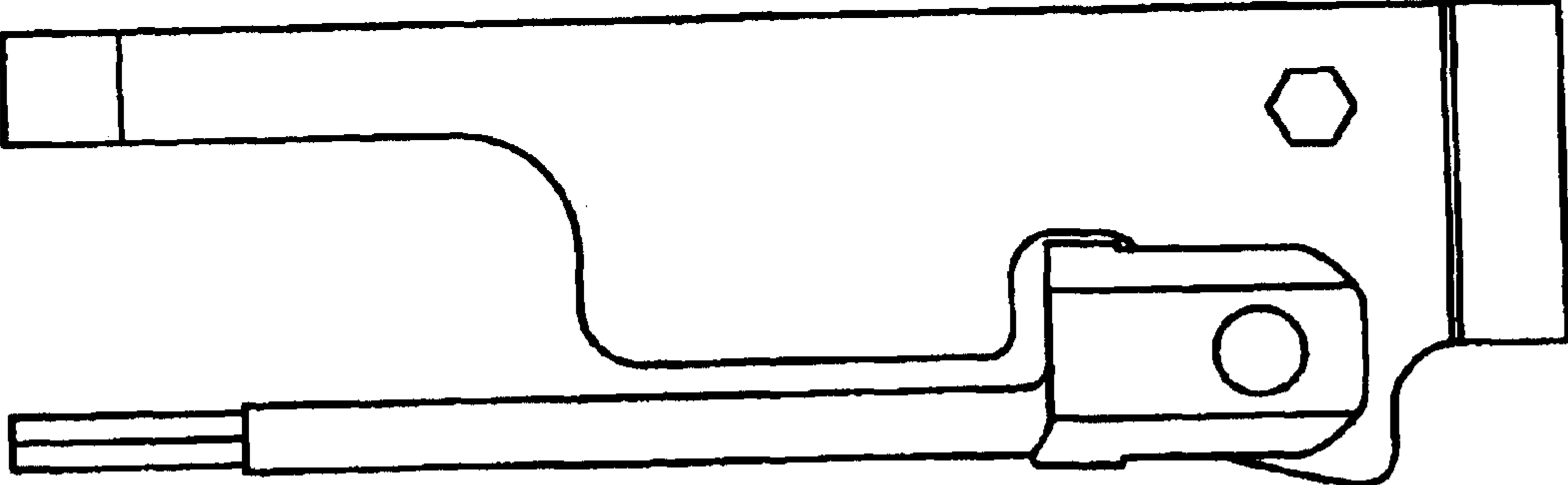


FIG. 2

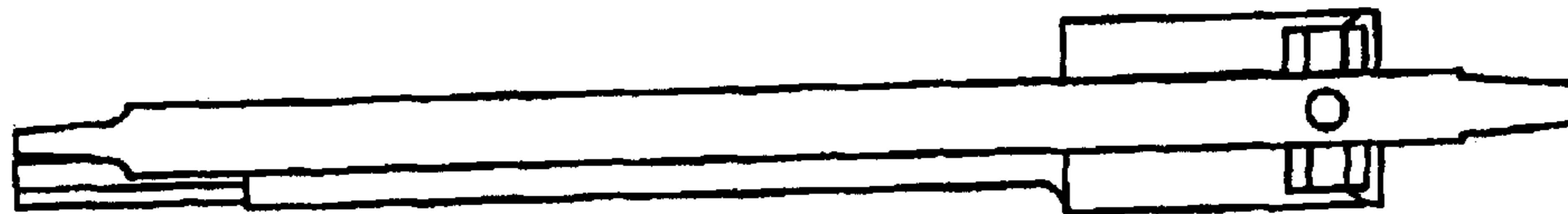


FIG. 3

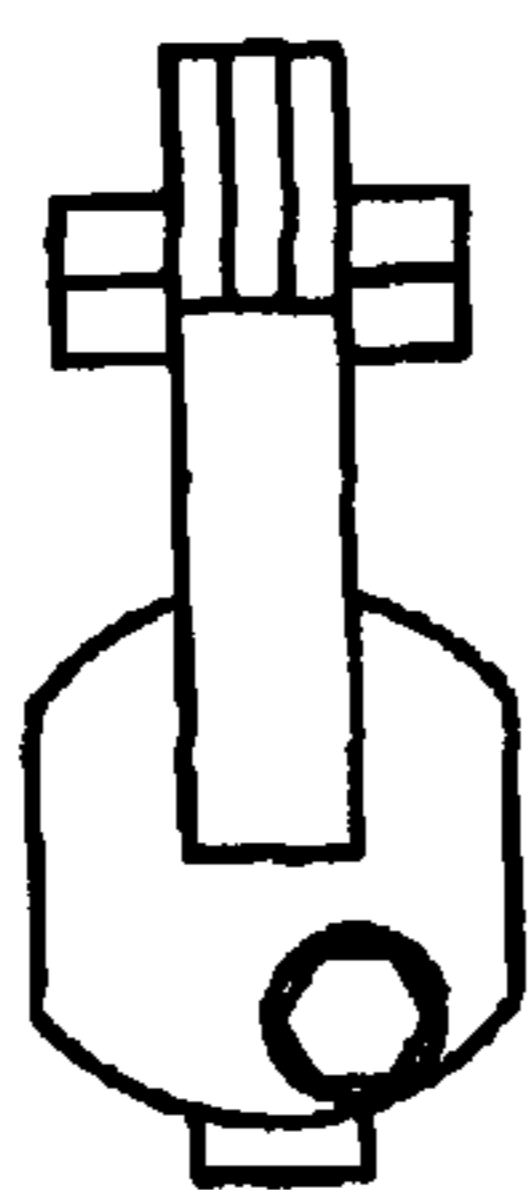


FIG. 4

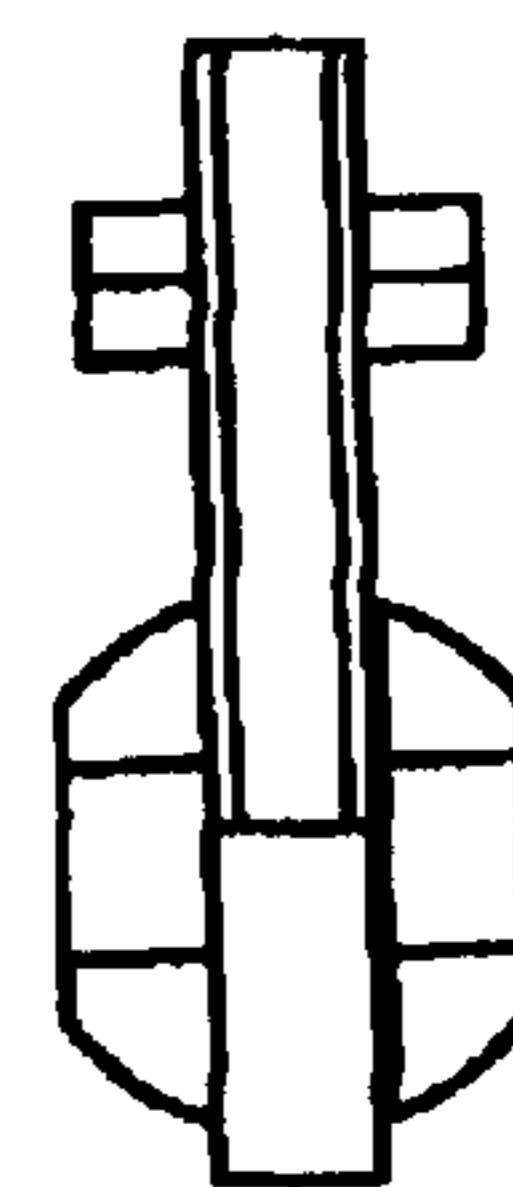


FIG. 5