



US00D498996S

(12) **United States Design Patent**  
**Parries**

(10) **Patent No.:** **US D498,996 S**

(45) **Date of Patent:** **\*\* Nov. 30, 2004**

(54) **REVEAL GUIDE TOOL**

(76) Inventor: **Kenneth S. Parries**, 10877 SE. 40th,  
Milwaukie, OR (US) 97222

(\*\*) Term: **14 Years**

(21) Appl. No.: **29/203,419**

(22) Filed: **Apr. 13, 2004**

(51) **LOC (7) Cl.** ..... **08-05**

(52) **U.S. Cl.** ..... **D8/14**

(58) **Field of Search** ..... D8/14; 52/255,  
52/371

(56) **References Cited**

**U.S. PATENT DOCUMENTS**

4,825,612 A	*	5/1989	Tupman	.....	52/371
6,018,924 A	*	2/2000	Tamlyn	.....	52/716.8
D425,768 S	*	5/2000	Staley	.....	D8/14
D452,016 S	*	12/2001	Hall	.....	D25/121

\* cited by examiner

*Primary Examiner*—Holly Baynham

(74) *Attorney, Agent, or Firm*—Olson & Olson

(57) **CLAIM**

The ornamental design for reveal guide tool, as shown and described.

**DESCRIPTION**

FIG. 1 is a perspective view of a reveal guide tool showing our new design.

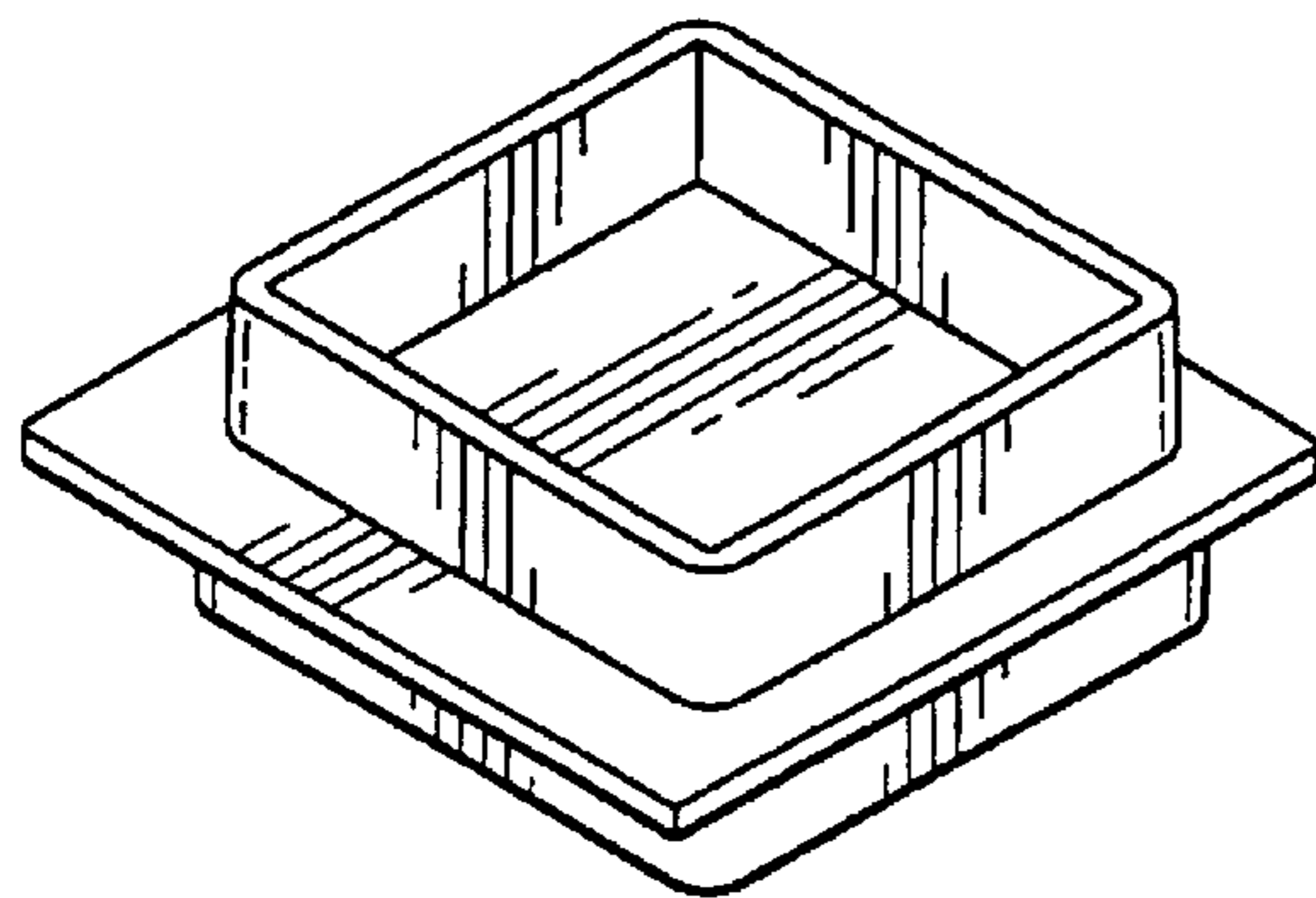


FIG. 2 is a top plan view as viewed from the top in FIG. 1, rotated clockwise approximately 45°.

FIG. 3 is a side elevation as viewed from the bottom in FIG. 2; the opposite side view being a mirror image.

FIG. 4 is a side elevation as viewed from the right in FIG. 2; the opposite side view being a mirror image.

FIG. 5 is a bottom plan view as viewed from the bottom in FIG. 3.

FIG. 6 is a perspective view of a second embodiment of reveal guide tool showing our new design.

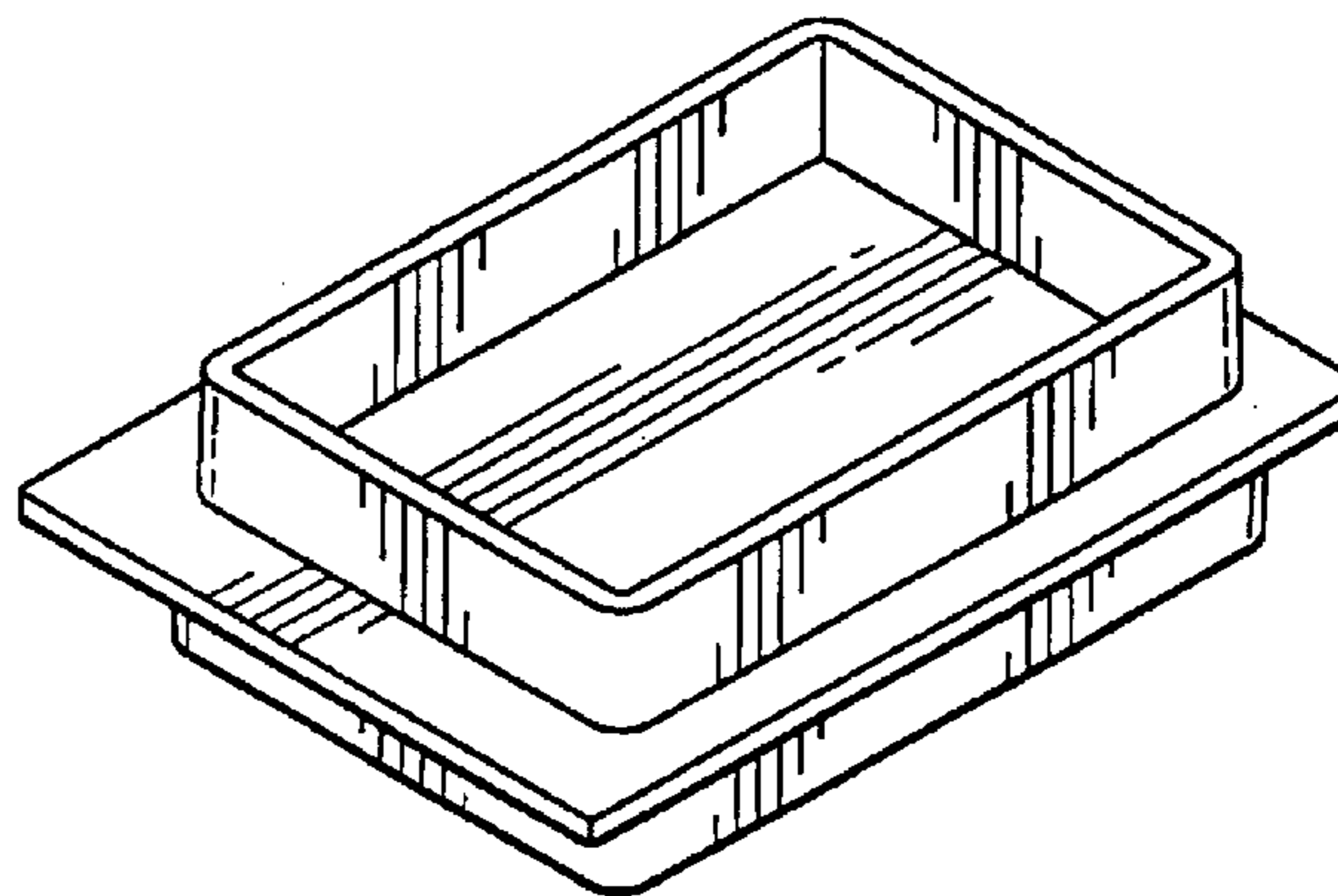
FIG. 7 is a top plan view as viewed from the top in FIG. 6 and rotated clockwise approximately 45°.

FIG. 8 is a side elevation as viewed from the bottom in FIG. 7, the opposite side being a mirror image.

FIG. 9 is a side elevation as viewed from the right in FIG. 7, the opposite side being a mirror image; and,

FIG. 10 is a bottom plan view as viewed from the bottom in FIG. 8.

**1 Claim, 2 Drawing Sheets**



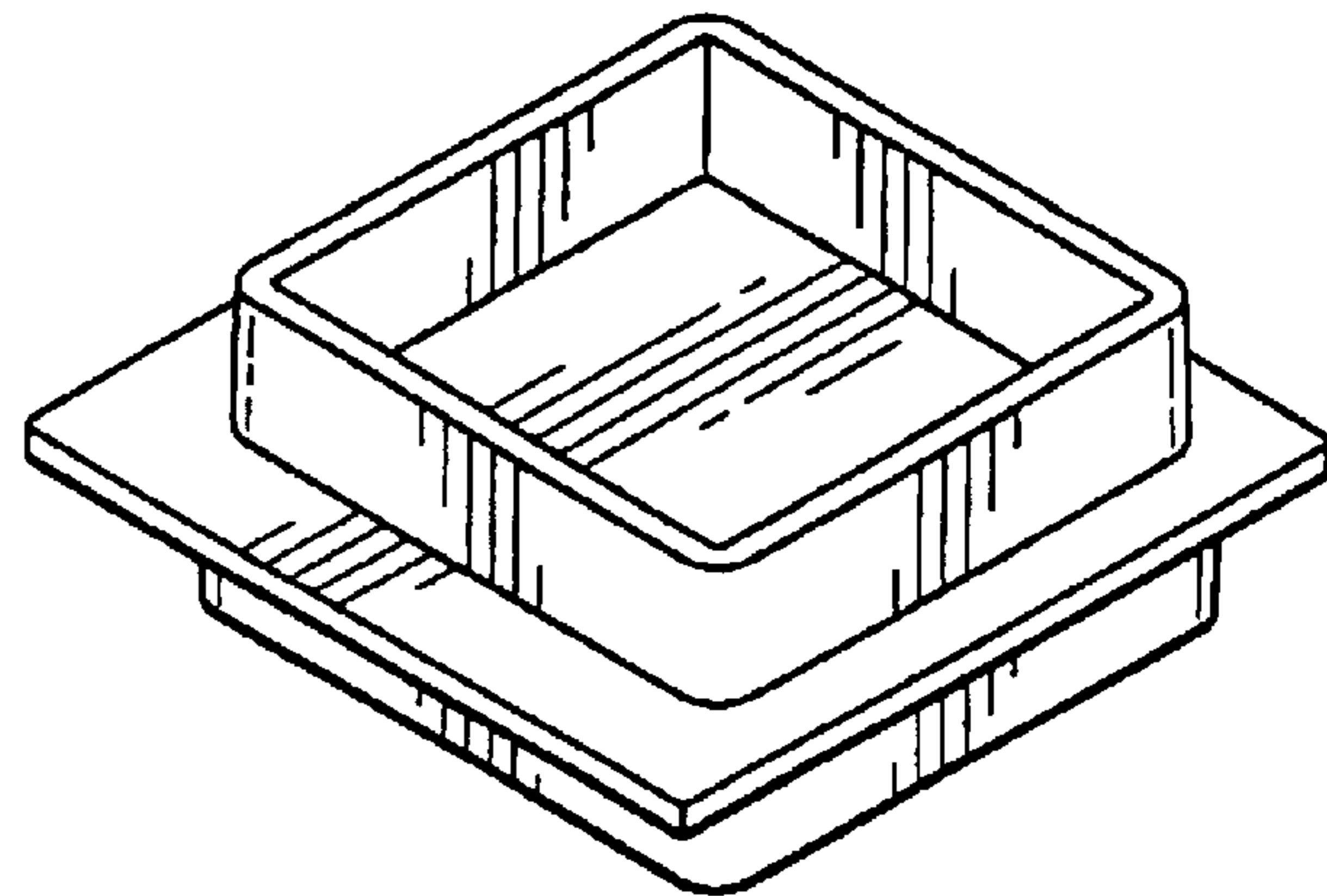


FIG. 1

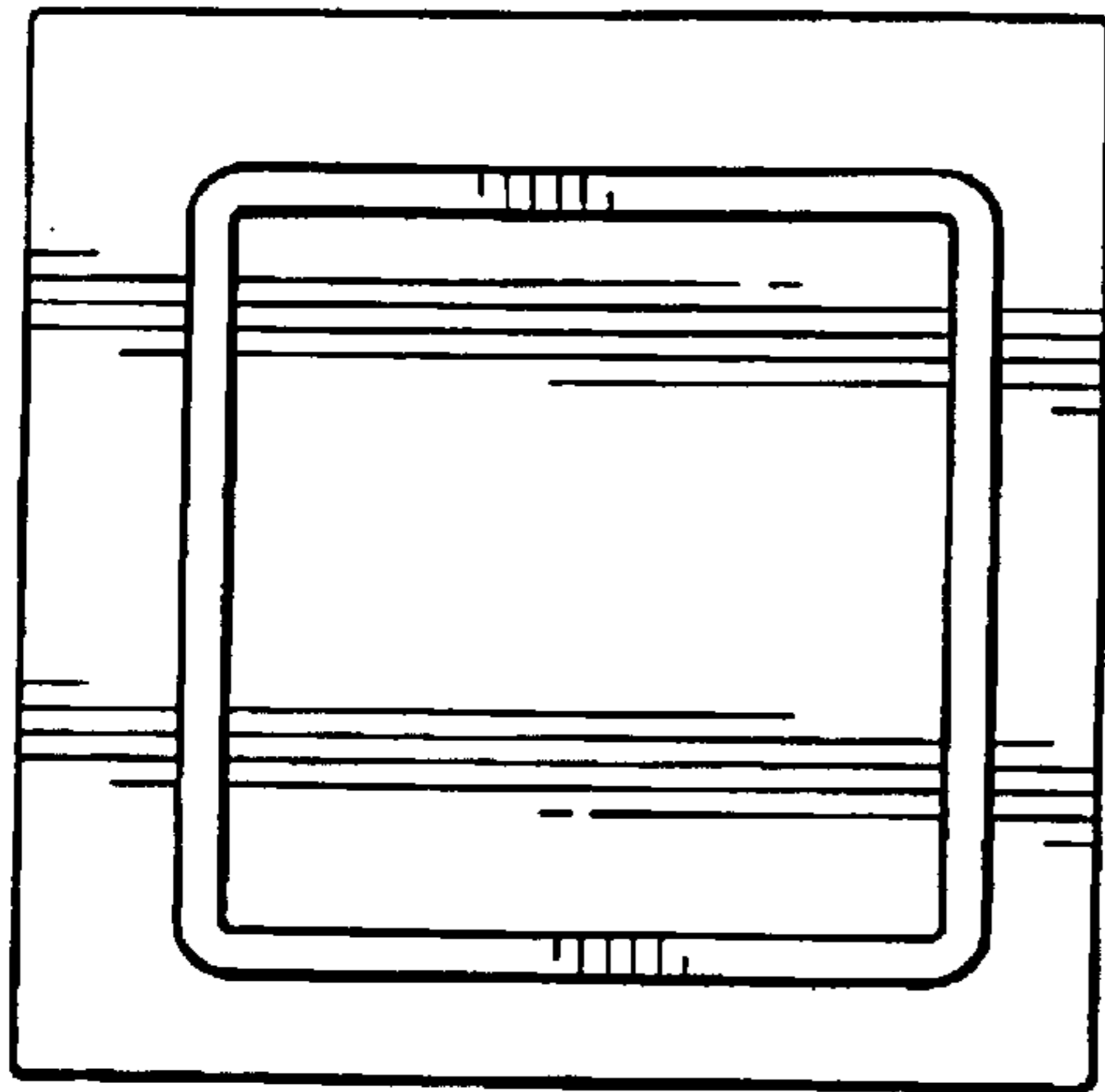


FIG. 2

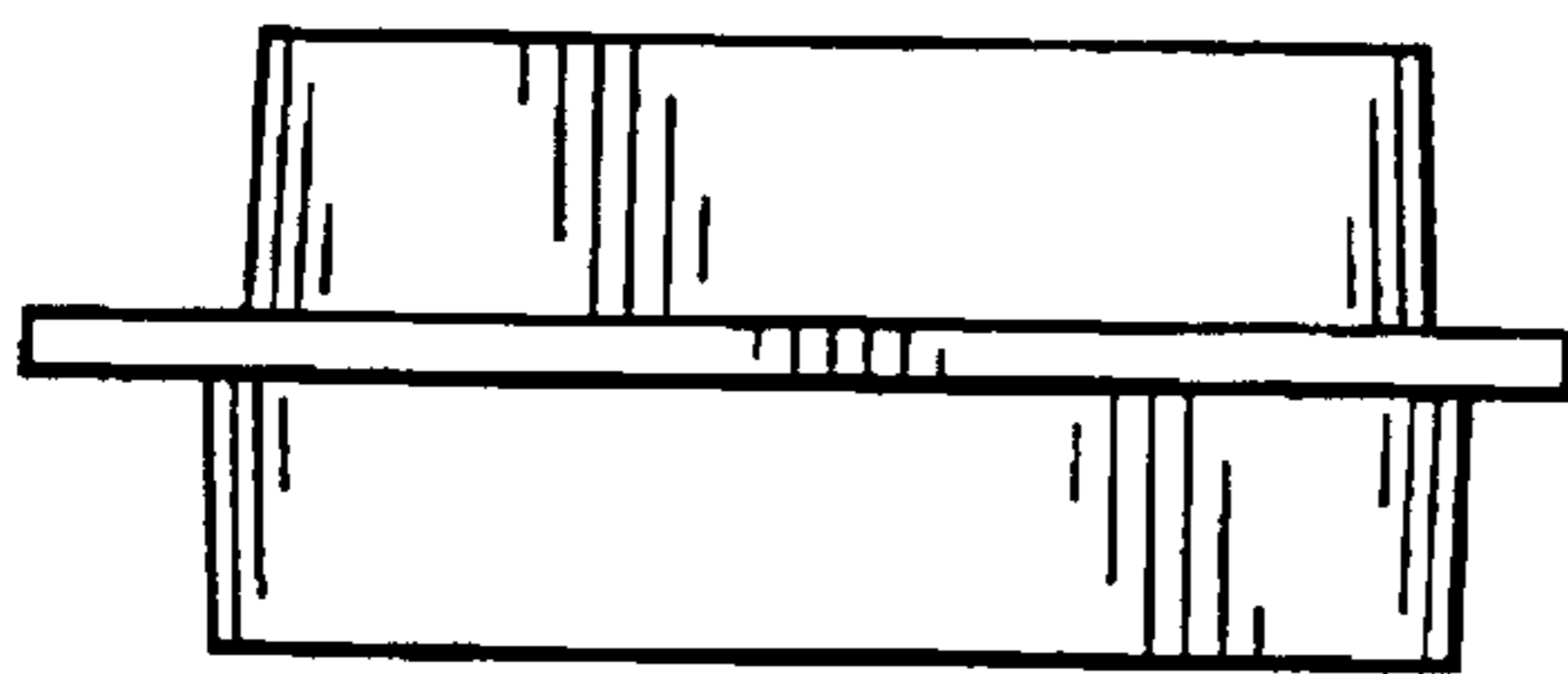


FIG. 3

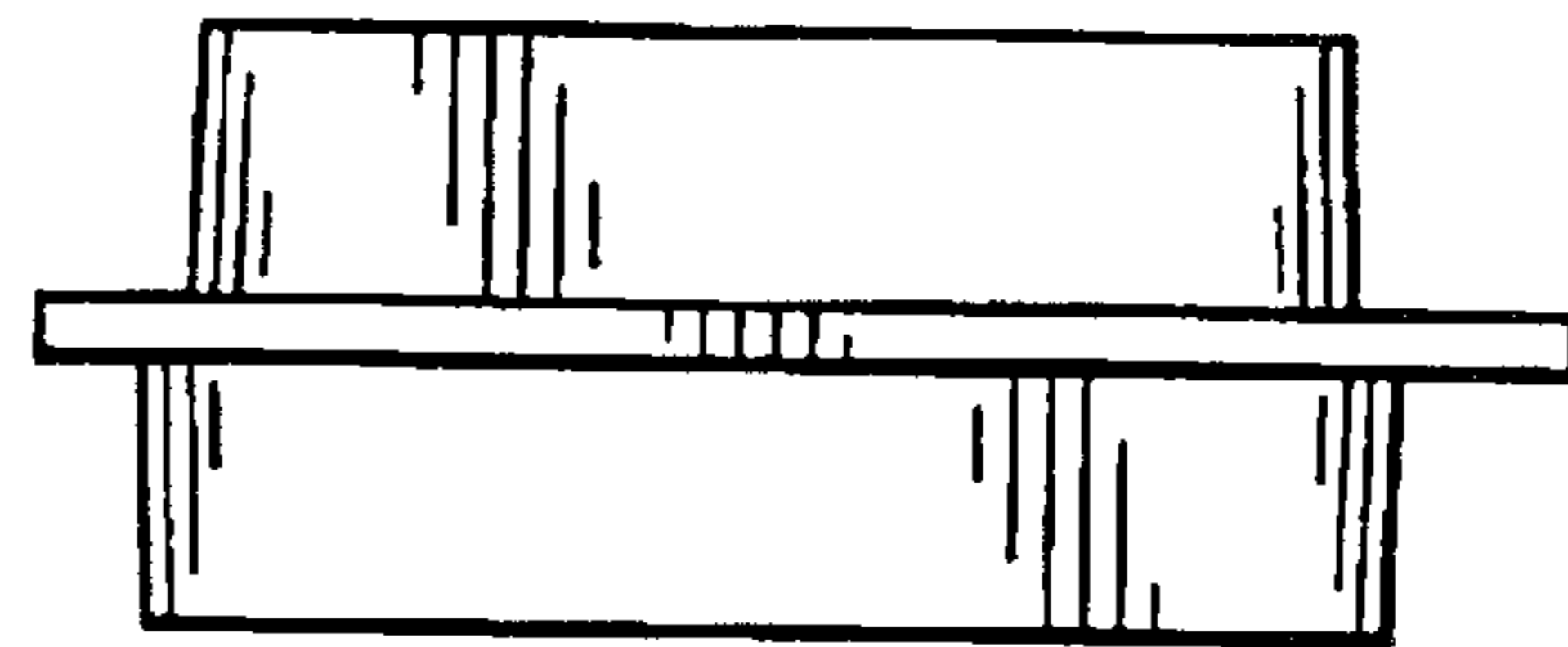


FIG. 4

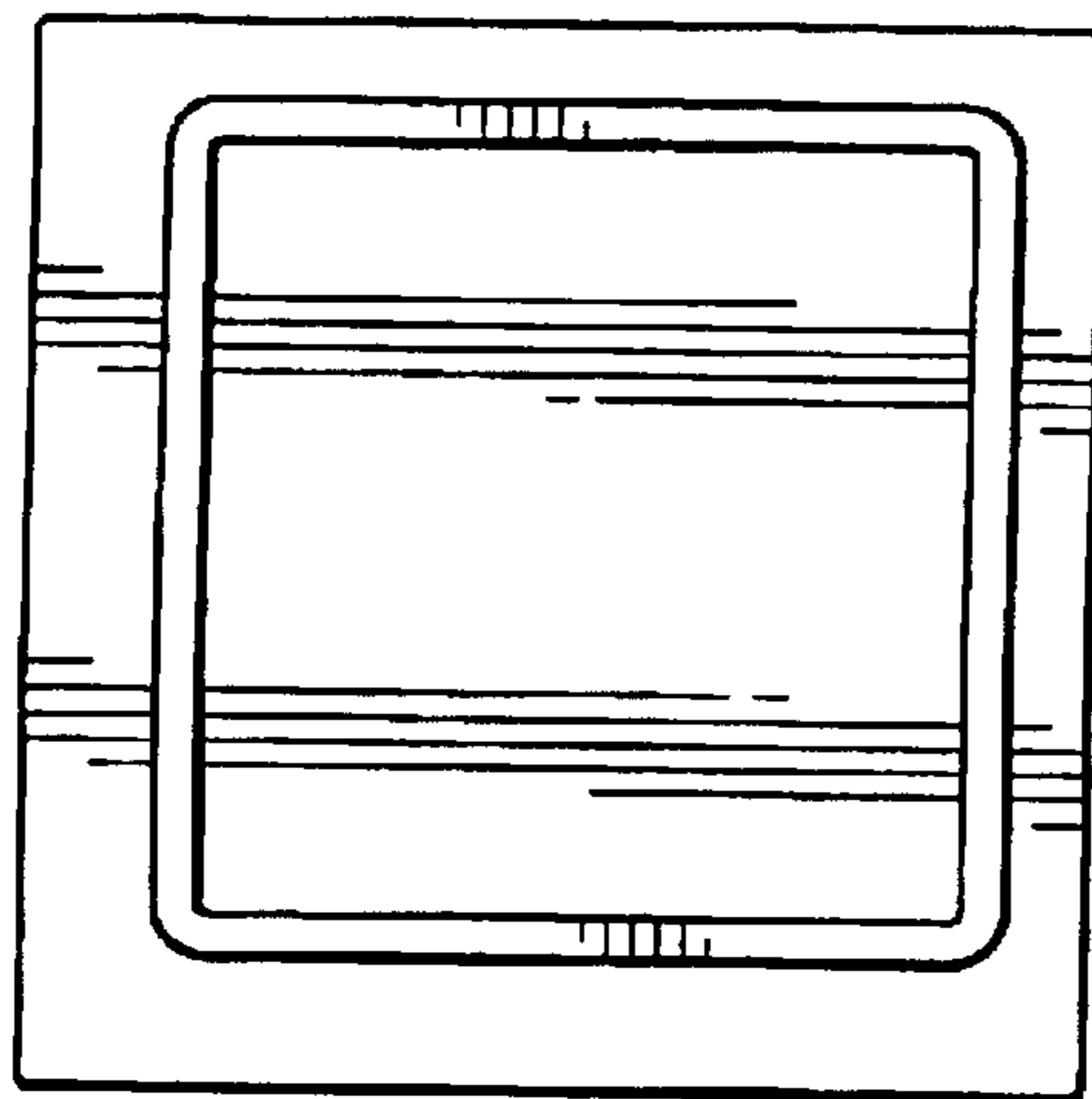


FIG. 5

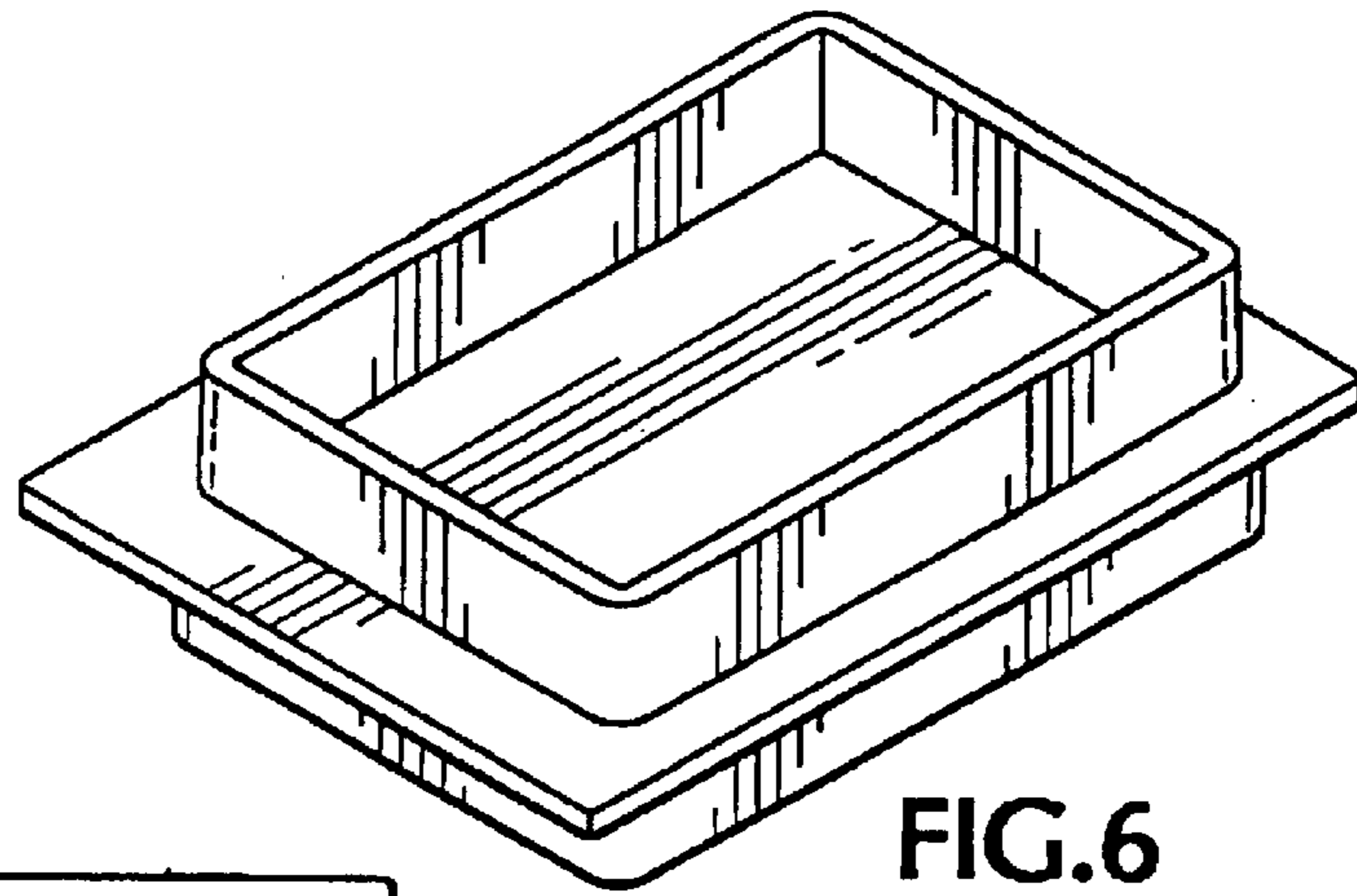


FIG. 6

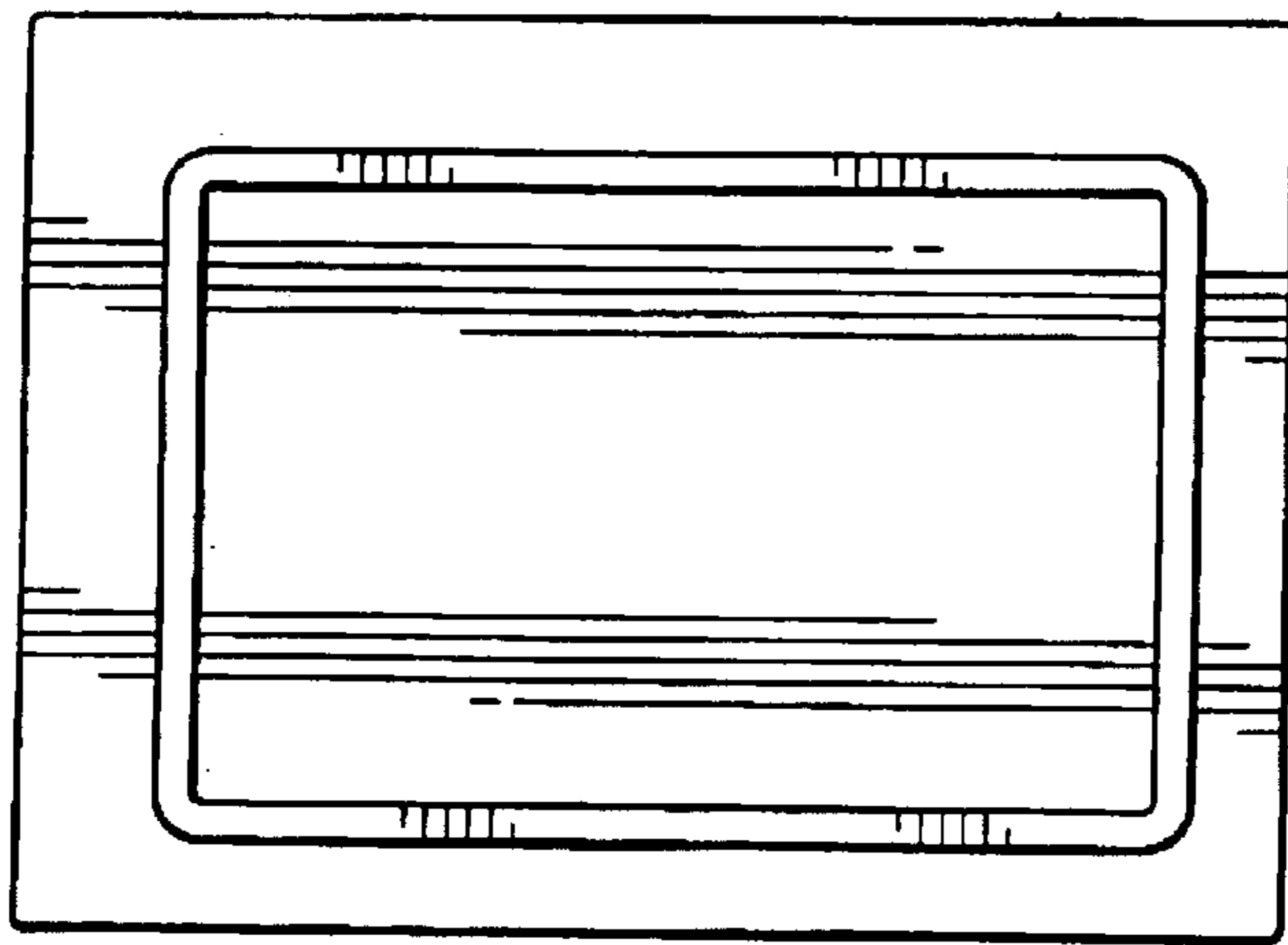


FIG. 7

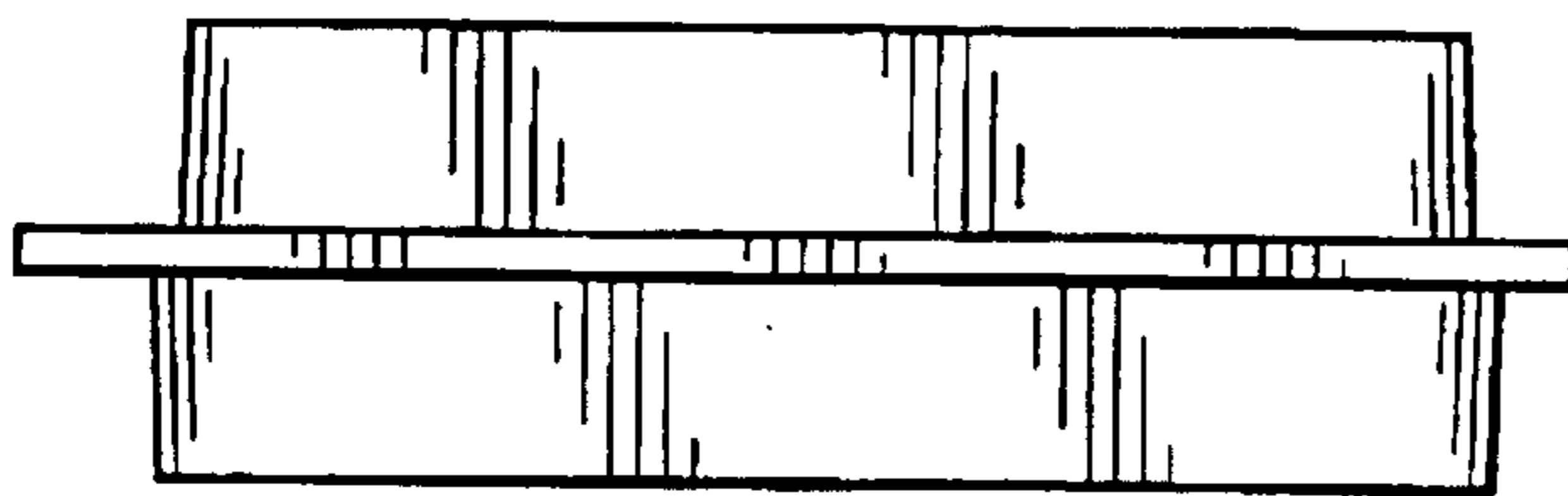


FIG. 8

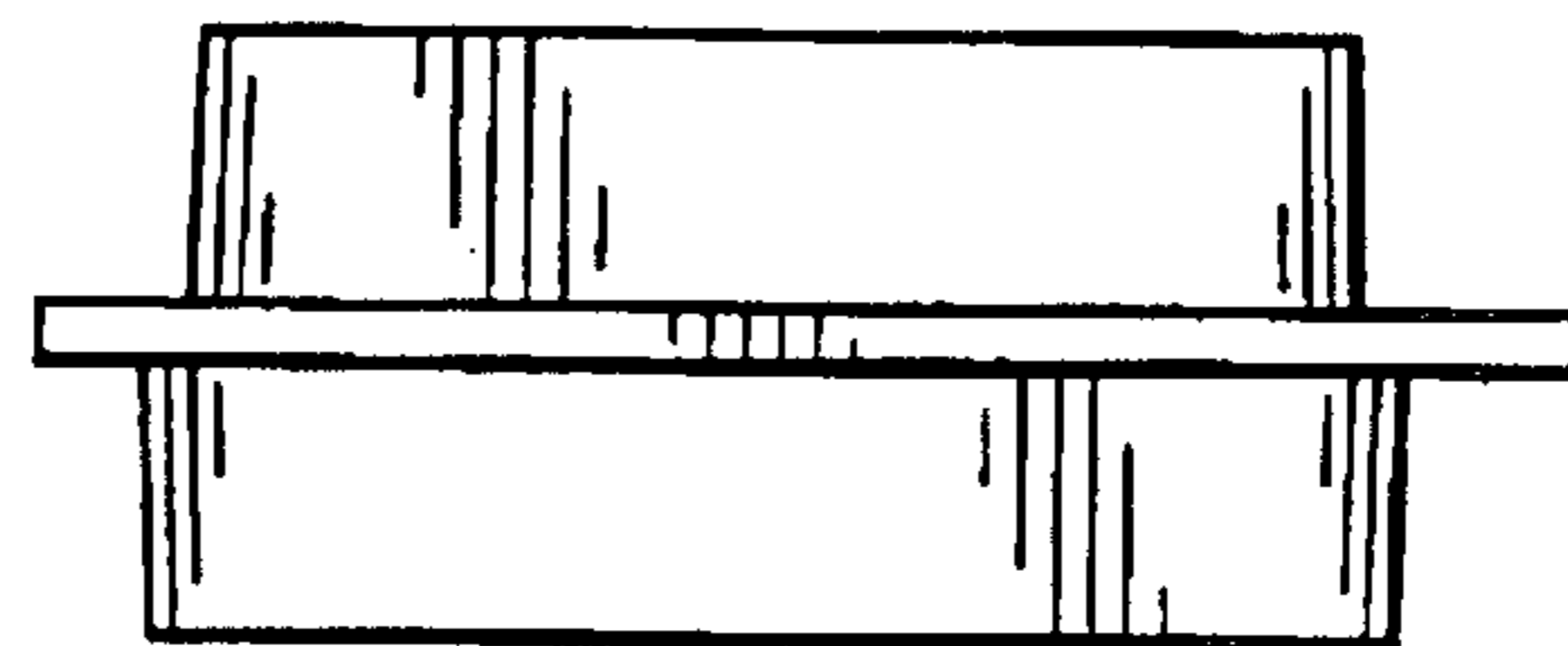


FIG. 9

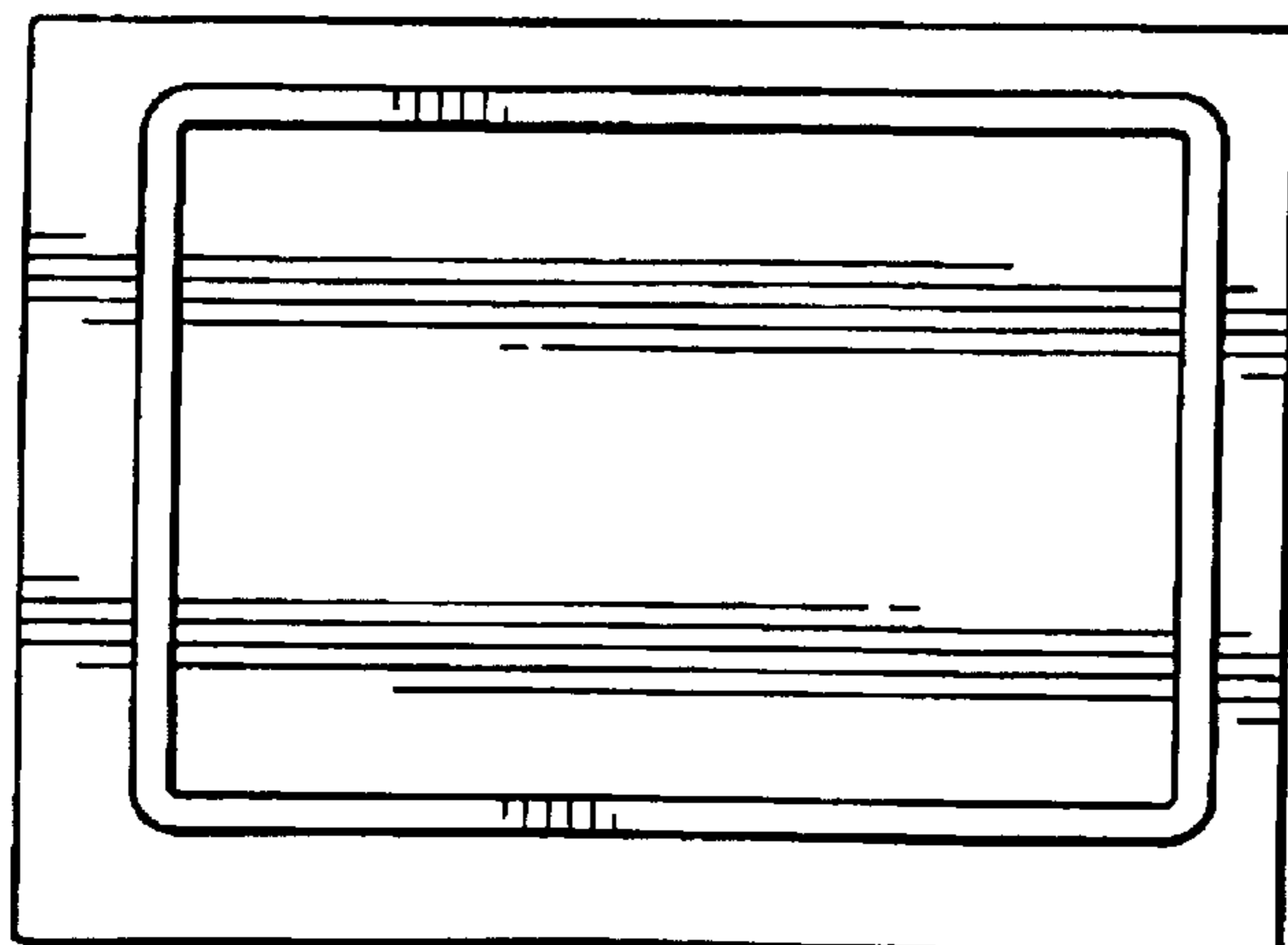


FIG. 10