



US00D498995S

(12) **United States Design Patent**  
**Whitlock**

(10) **Patent No.:** **US D498,995 S**

(45) **Date of Patent:** **\*\* Nov. 30, 2004**

(54) **GARDEN TOOL**

(75) **Inventor:** **J. B. Whitlock**, 11215 Pecan Pl.,  
Riverside, CA (US) 92505-2339

(73) **Assignees:** **J. B. Whitlock**, Riverside, CA (US); **D. W. Mills**, Riverside, CA (US)

(\*\*) **Term:** **14 Years**

(21) **Appl. No.:** **29/190,245**

(22) **Filed:** **Sep. 16, 2003**

(51) **LOC (7) Cl.** ..... **08-01**

(52) **U.S. Cl.** ..... **D8/7**

(58) **Field of Search** ..... D8/7, 9, 11; 172/372,  
172/375, 378, 380

(56) **References Cited**

**U.S. PATENT DOCUMENTS**

2,240,705 A *	5/1941	Klopfenstein	172/372
D354,206 S *	1/1995	Kunzle	D8/9
5,452,769 A *	9/1995	Markert	172/380

\* cited by examiner

*Primary Examiner*—Holly Baynham

(74) *Attorney, Agent, or Firm*—Fellers, Snider, et al.; Bill D. McCarthy

(57) **CLAIM**

I claim the ornamental design for a garden tool, as shown and described.

**DESCRIPTION**

FIG. 1 is a perspective view of a garden tool showing my new design;

FIG. 2 is an elevational view of one side thereof;

FIG. 3 is an elevational view of the other side thereof;

FIG. 4 is an elevational view of one end thereof;

FIG. 5 is an elevational view of other side thereof;

FIG. 6 is a top plan view thereof; and

FIG. 7 is a bottom plan view thereof.

FIG. 8 is an elevational view of one side of another embodiment of a garden tool showing my new design;

FIG. 9 is an elevational view of the other side thereof;

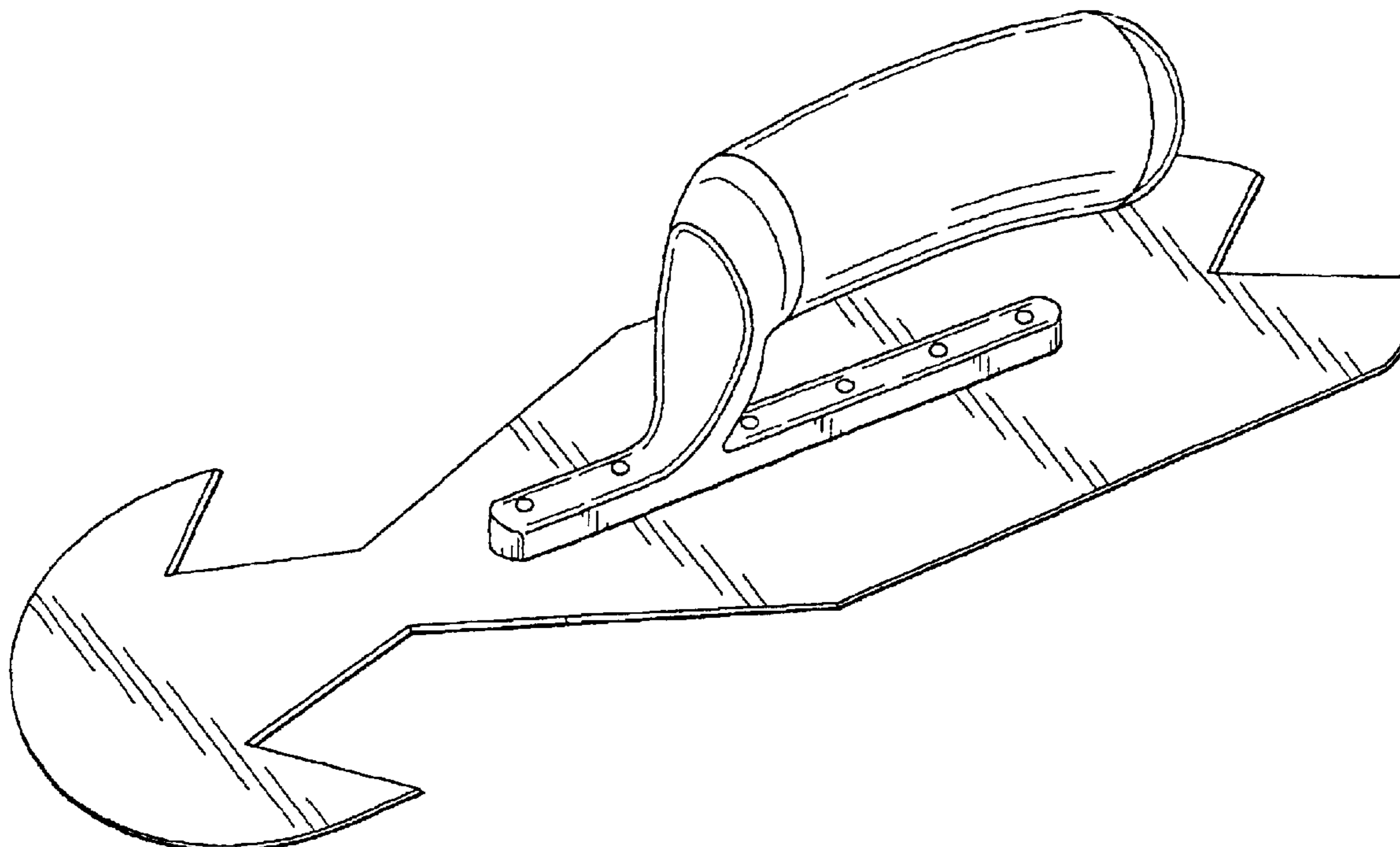
FIG. 10 is an elevational view of one end thereof;

FIG. 11 is an elevational view of the other end thereof;

FIG. 12 is a top plan view thereof; and,

FIG. 13 is a bottom plan view thereof.

**1 Claim, 4 Drawing Sheets**



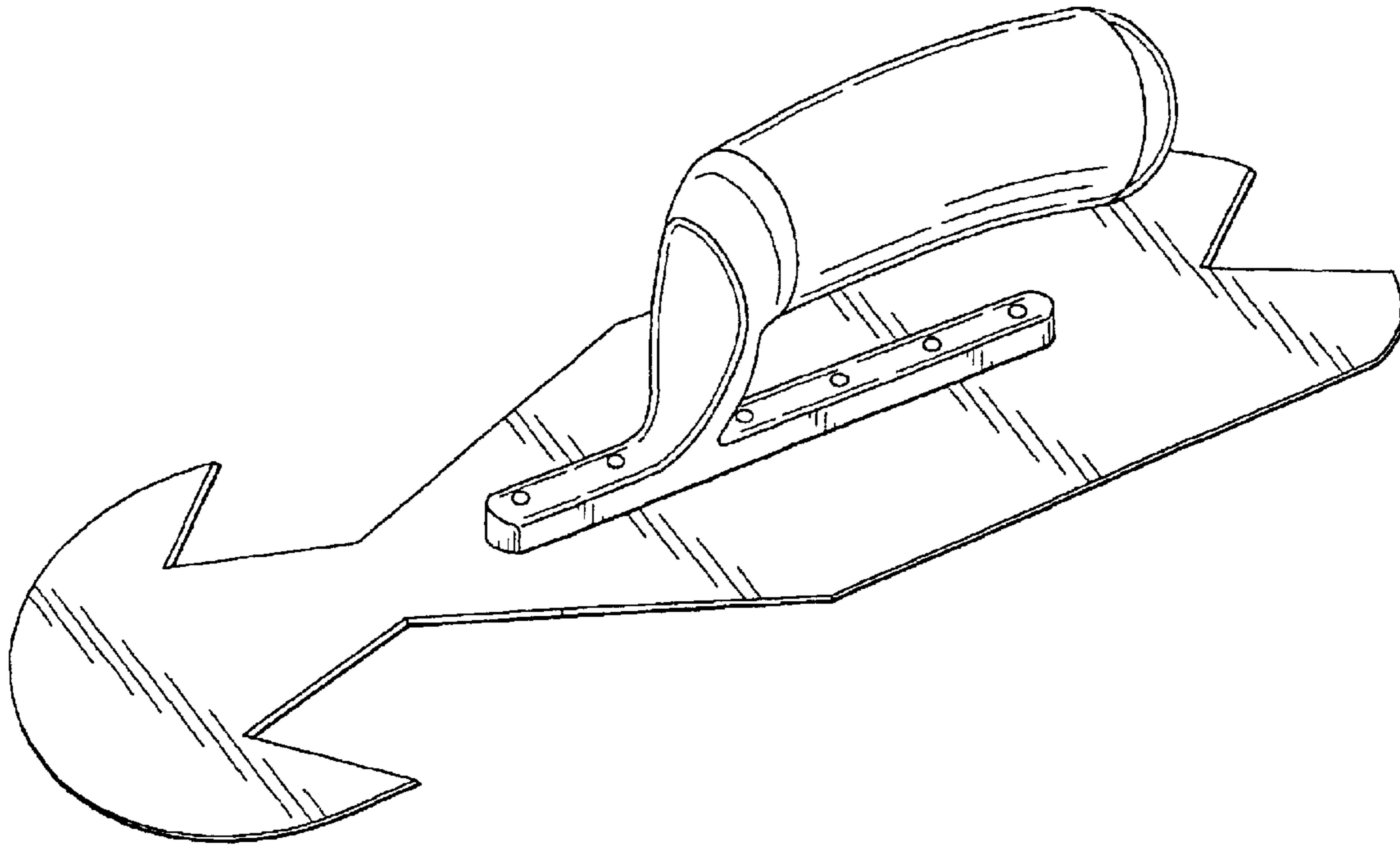


FIG. 1

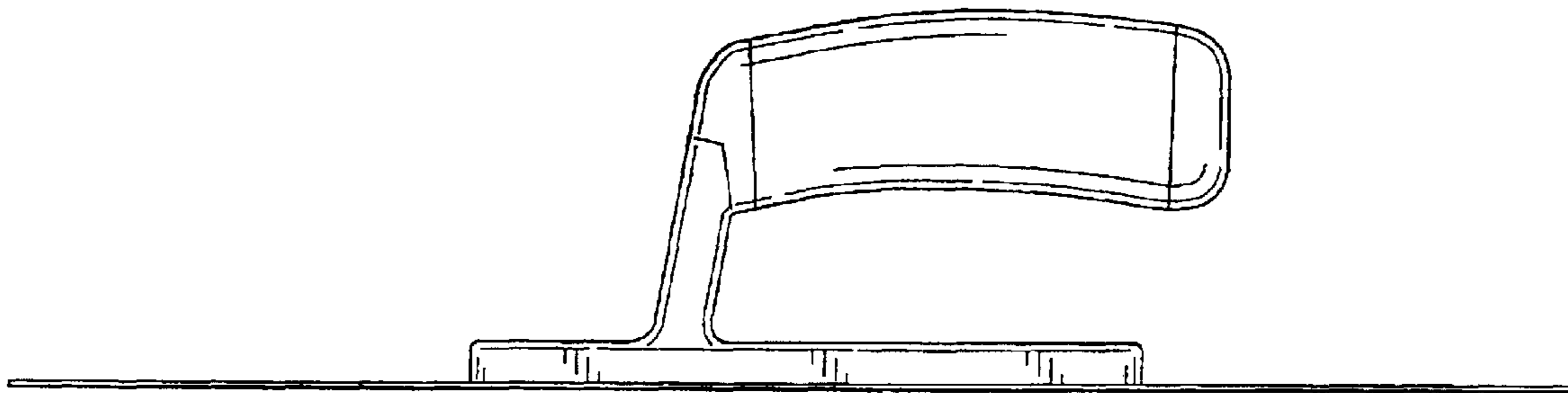


FIG. 2

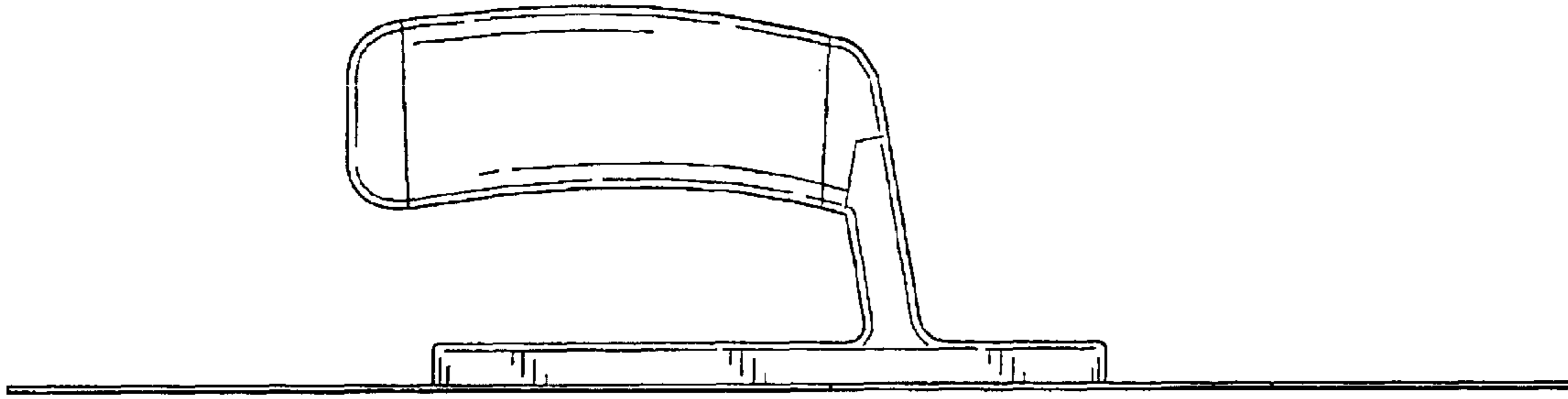


FIG. 3

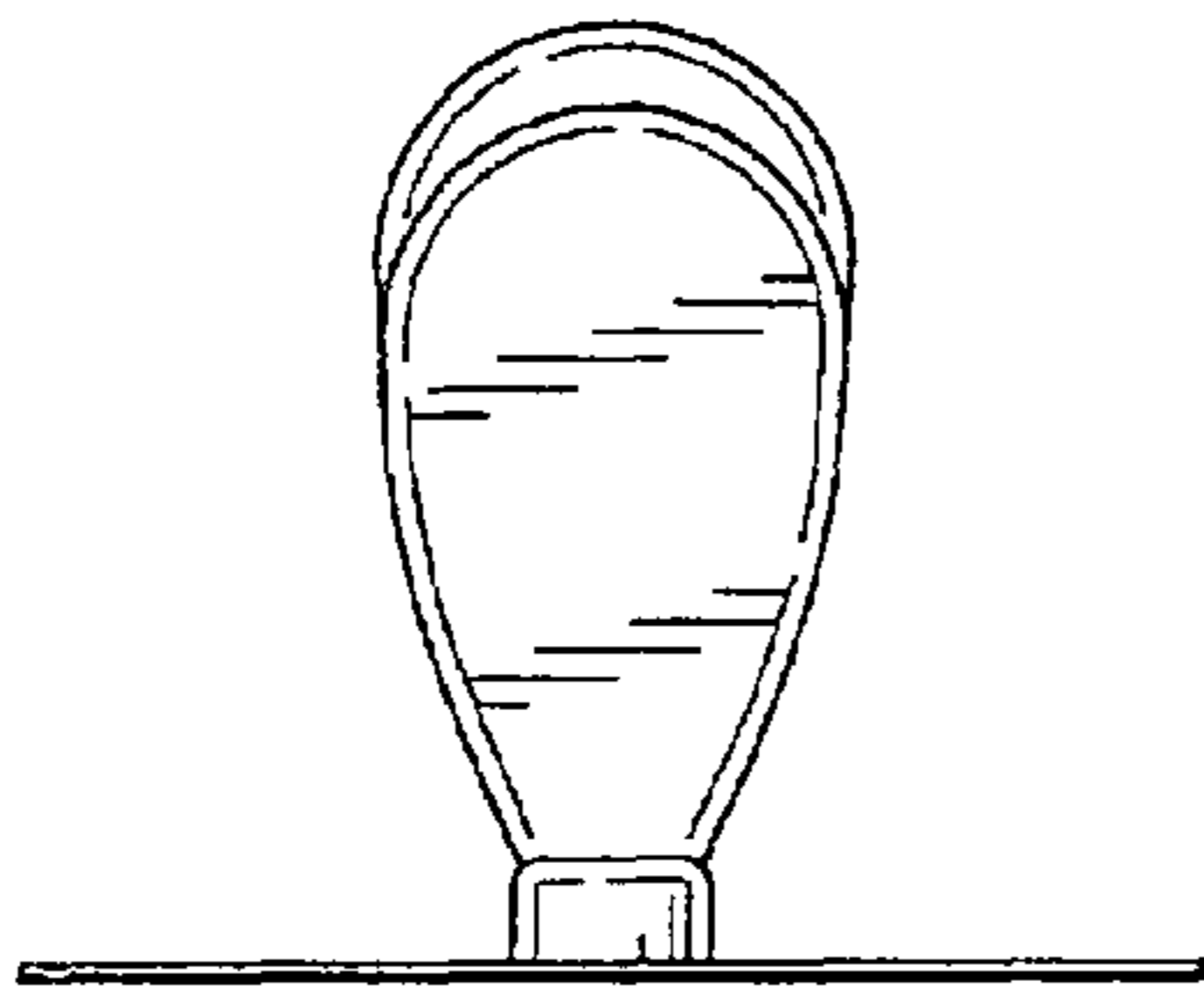


FIG. 4

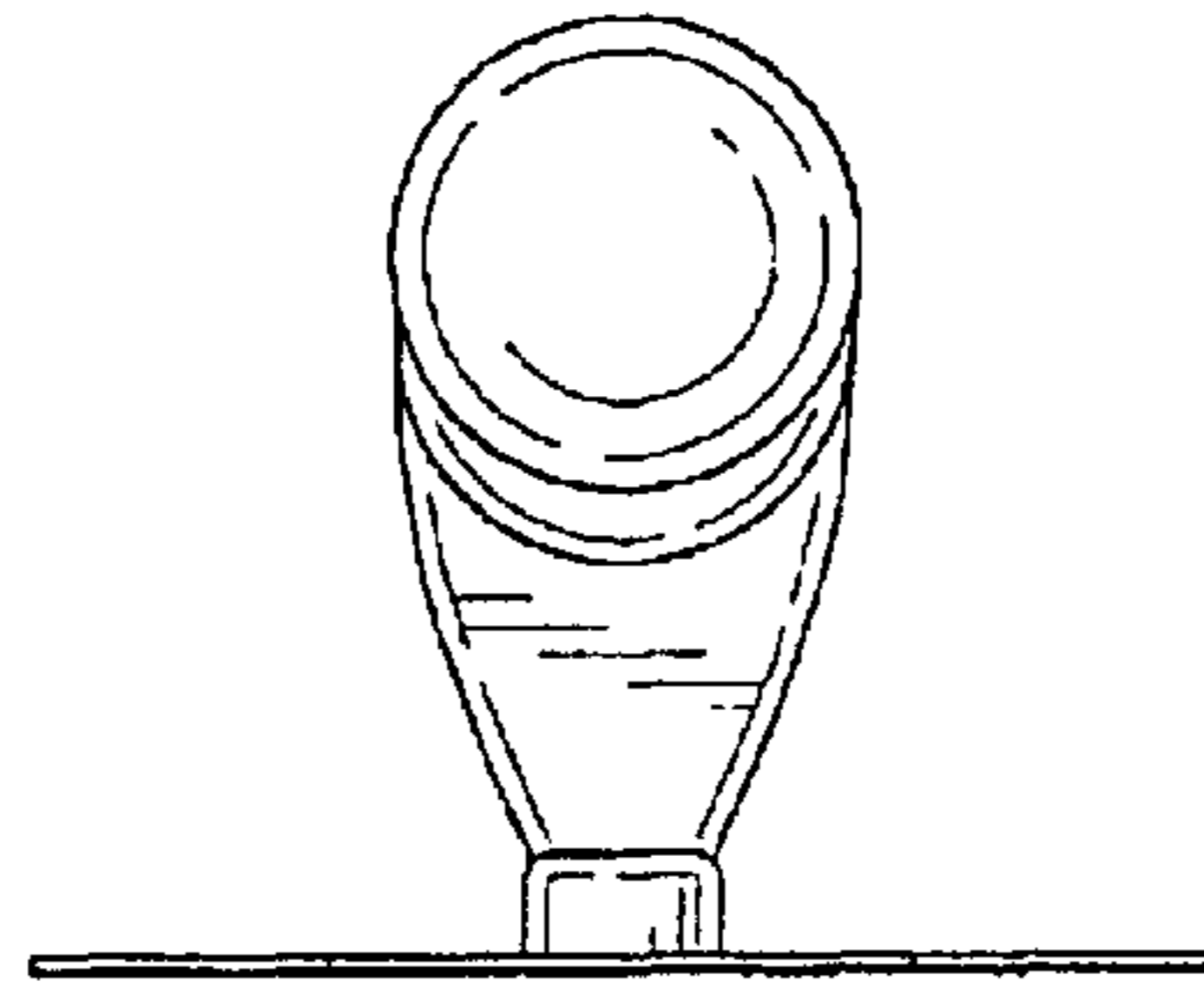


FIG. 5

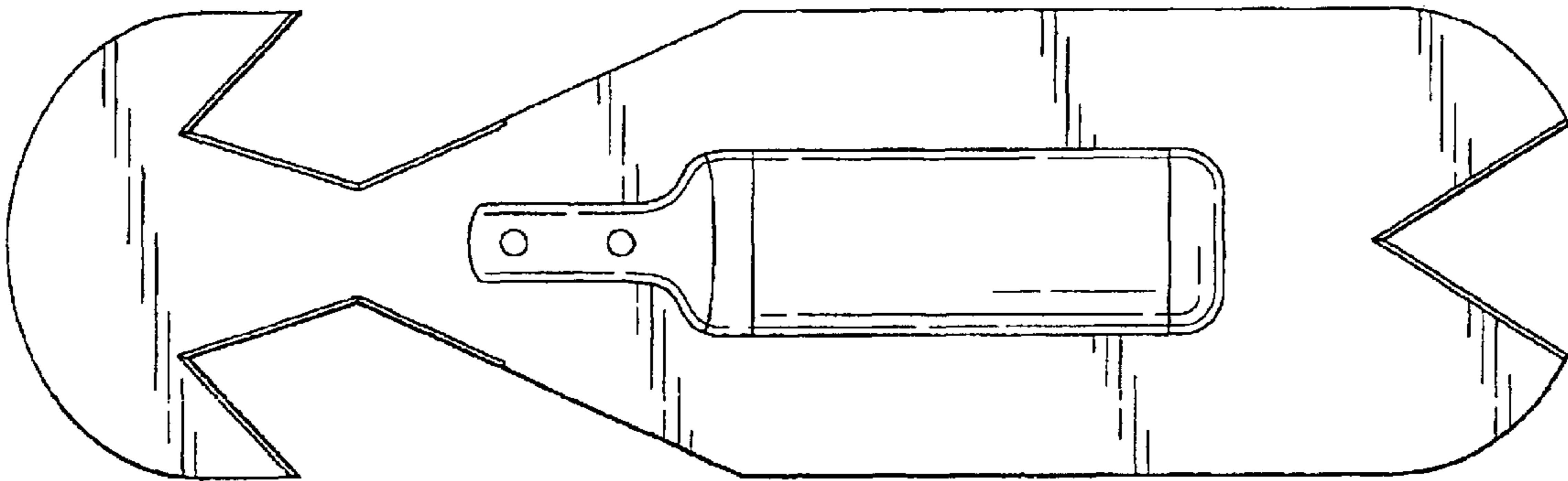


FIG. 6

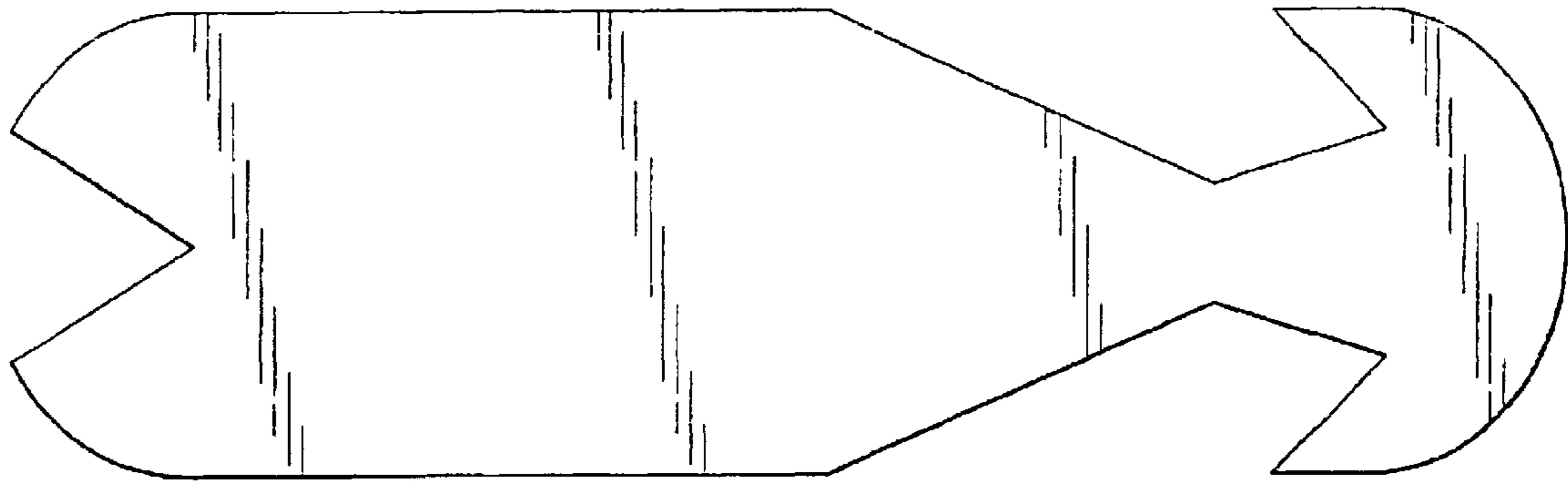


FIG. 1

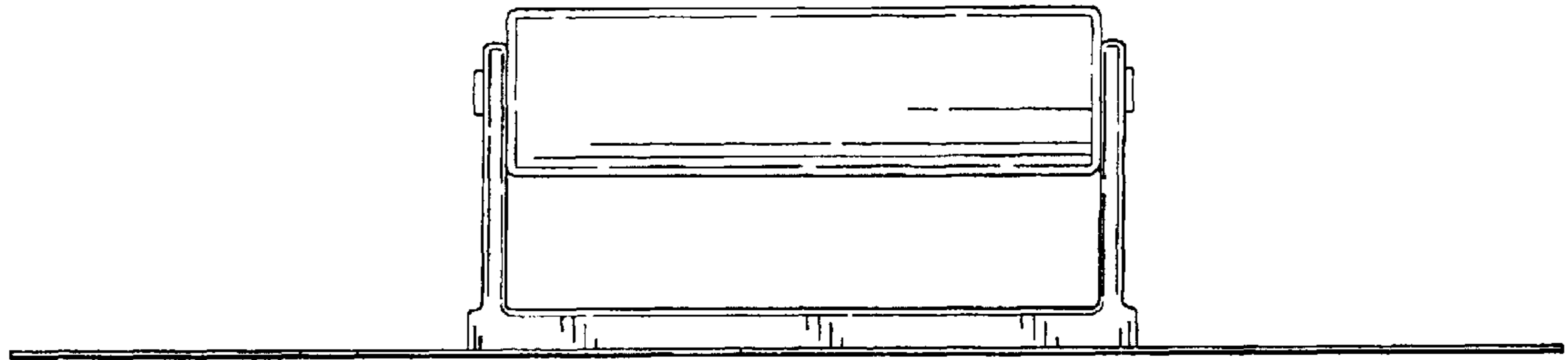


FIG. 2

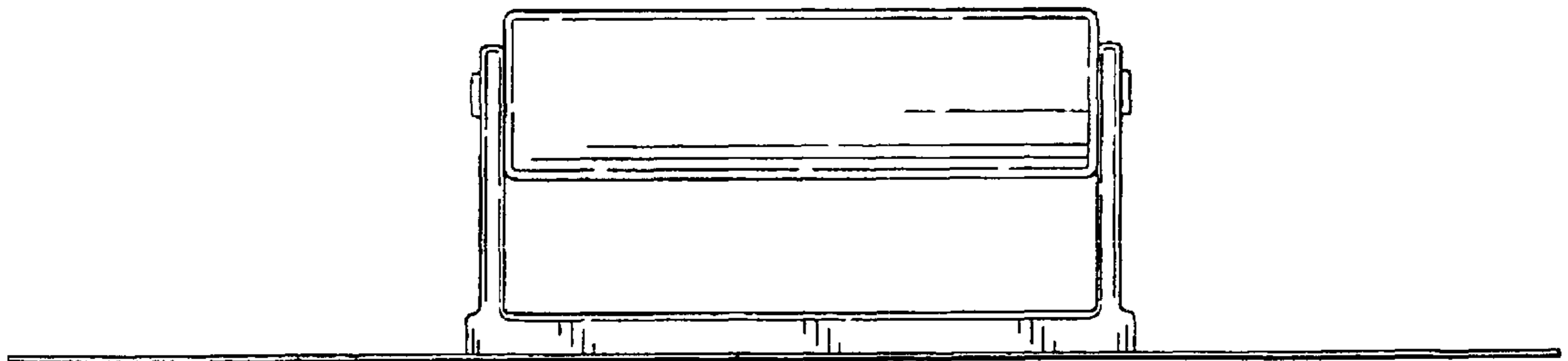


FIG. 3

