

US00D498993S

(12) **United States Design Patent**
Grosshans

(10) **Patent No.:** **US D498,993 S**

(45) **Date of Patent:** **** Nov. 30, 2004**

(54) **GLASS RACK**

(75) **Inventor:** **Elke S. Grosshans, Stuttgart (DE)**

(73) **Assignee:** **Le Creuset S.A., Fresnoy-le-Grand (FR)**

(**) **Term:** **14 Years**

(21) **Appl. No.:** **29/186,034**

(22) **Filed:** **Jul. 7, 2003**

(51) **LOC (7) Cl.** **07-06**

(52) **U.S. Cl.** **D7/704**

(58) **Field of Search** D7/701, 704, 707,
D7/708; D6/462, 467; 211/70, 70.6, 70.7,
74, 75, 181.1, 182; 248/75, 80, 121, 127,
153; 294/143, 162, 166

(56) **References Cited**

U.S. PATENT DOCUMENTS

1,232,923 A * 7/1917 Howeth 211/70
1,259,623 A * 3/1918 Herrick 211/70

1,914,371 A * 6/1933 Hutt 211/70.6
2,890,801 A * 6/1959 Ladd 211/70.7
D299,805 S * 2/1989 Pifher D6/462
D393,783 S * 4/1998 Goodman D7/704
D447,393 S * 9/2001 Bodum D7/707

* cited by examiner

Primary Examiner—Terry A. Wallace

(74) *Attorney, Agent, or Firm*—Gary L. Bush; Andrews Kurth LLP

(57) **CLAIM**

The ornamental design for a glass rack, as shown and described.

DESCRIPTION

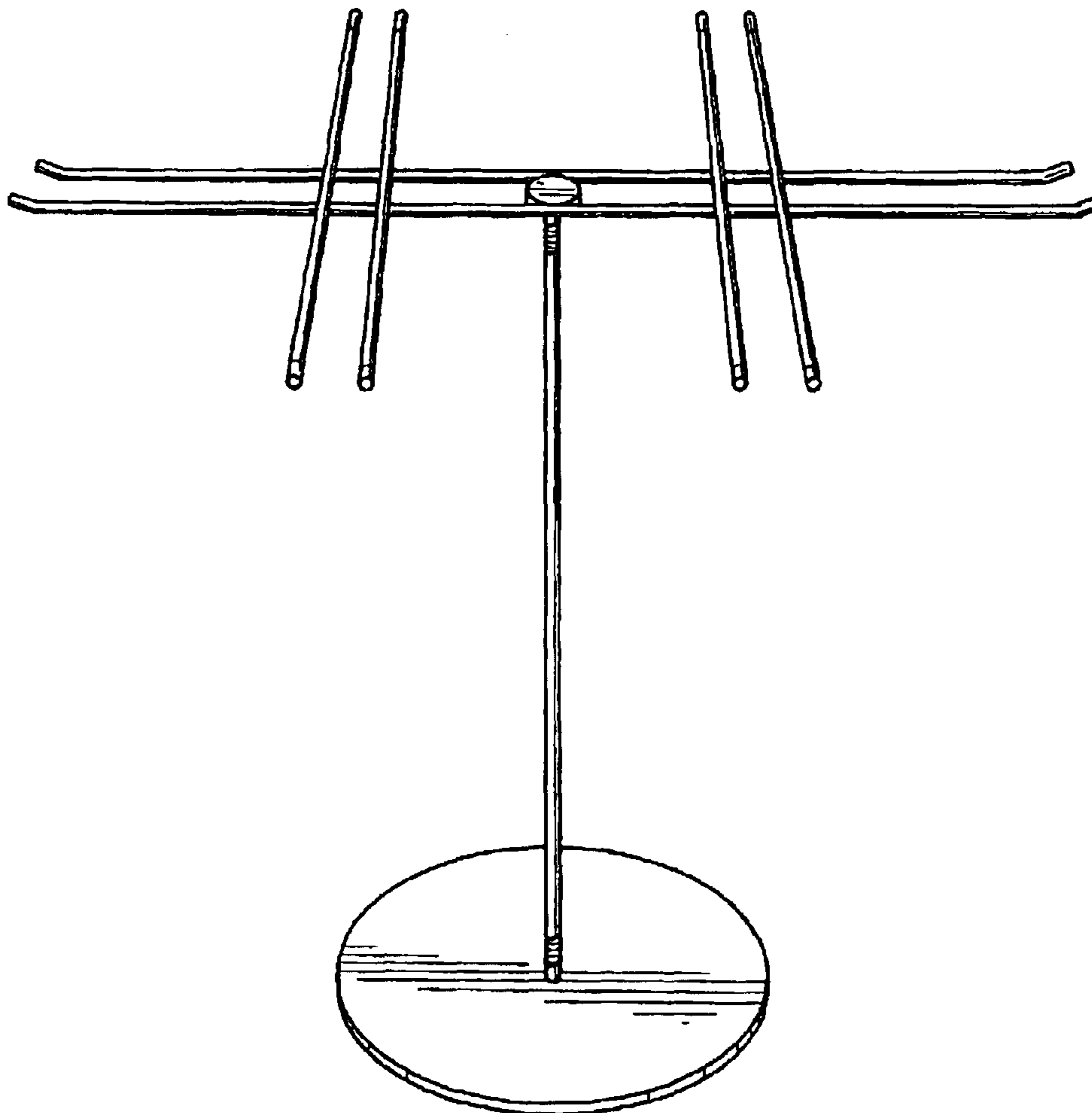
FIG. 1 is a perspective view of a glass rack showing my new design;

FIG. 2 is a front view thereof;

FIG. 3 is a side view thereof; and,

FIG. 4 is a plan view thereof.

1 Claim, 2 Drawing Sheets



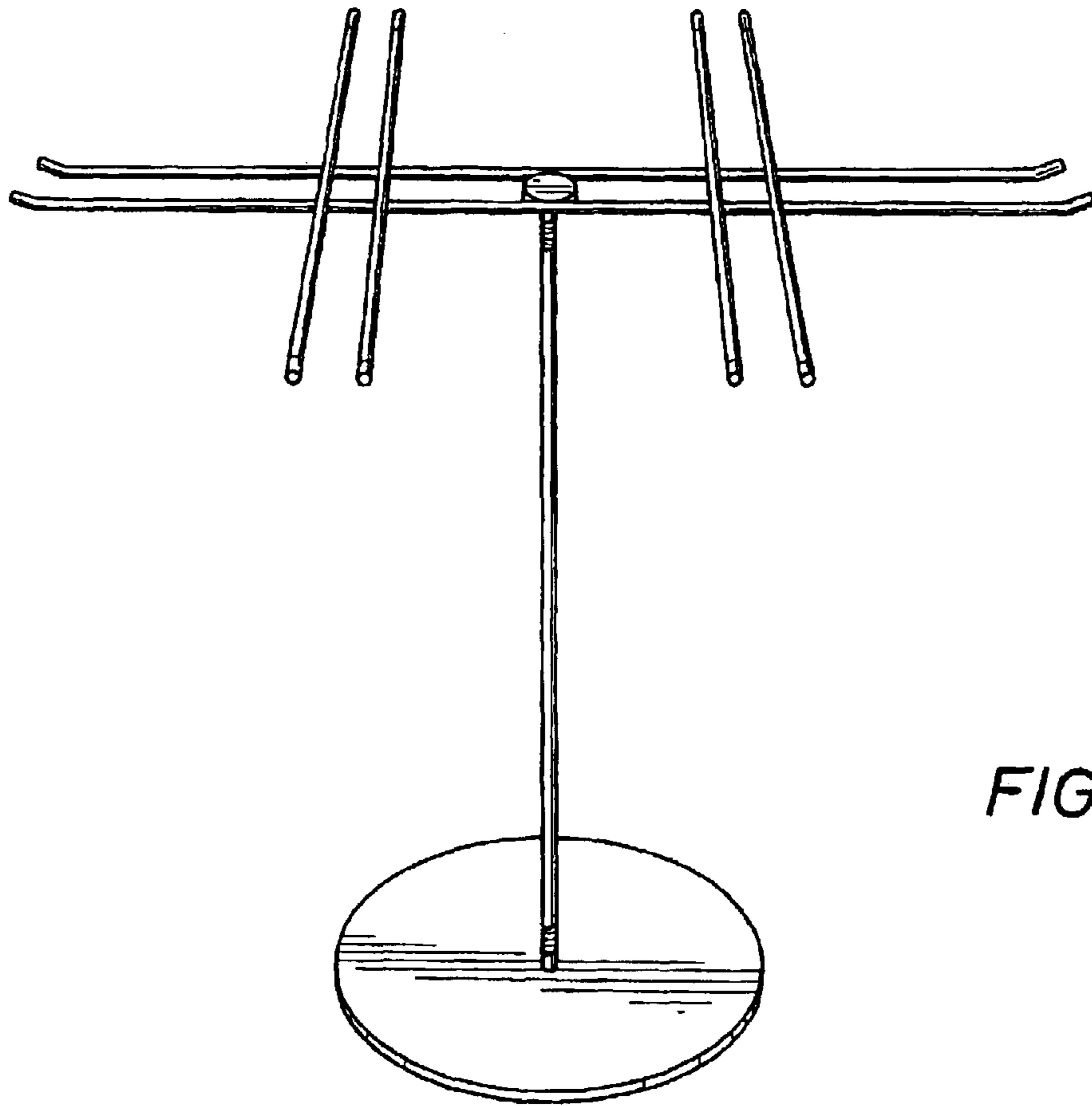


FIG. 1

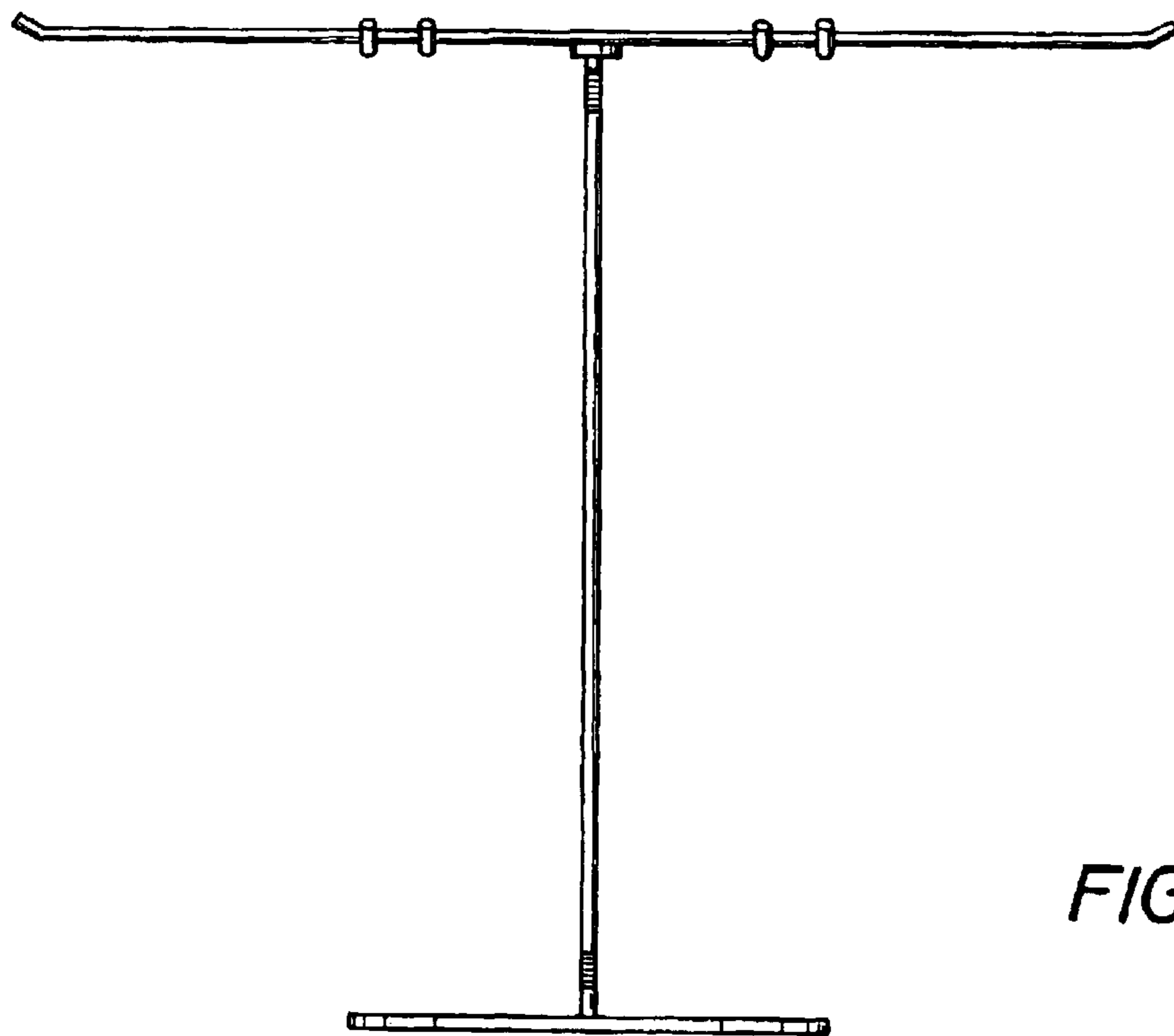


FIG. 2

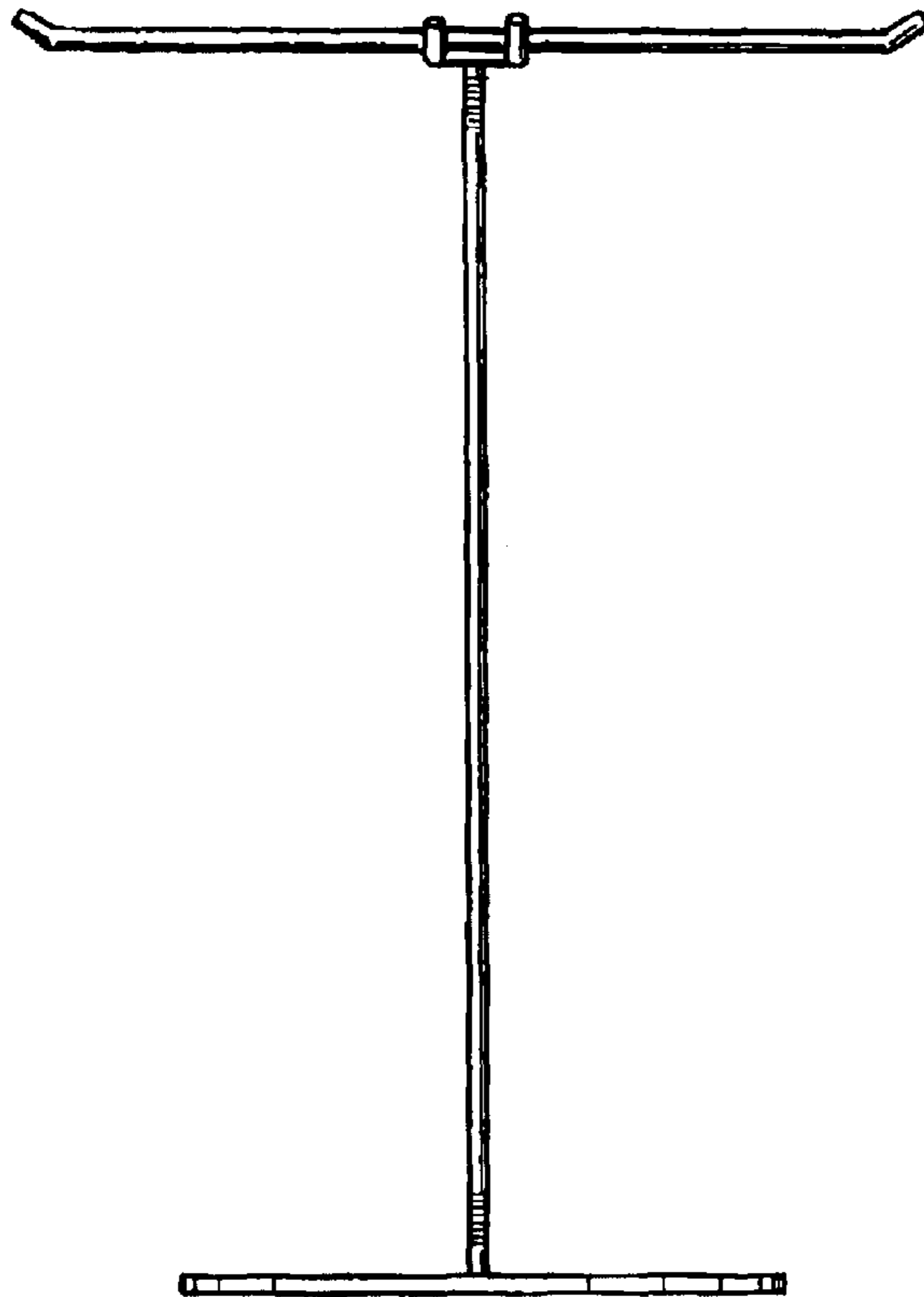


FIG. 3

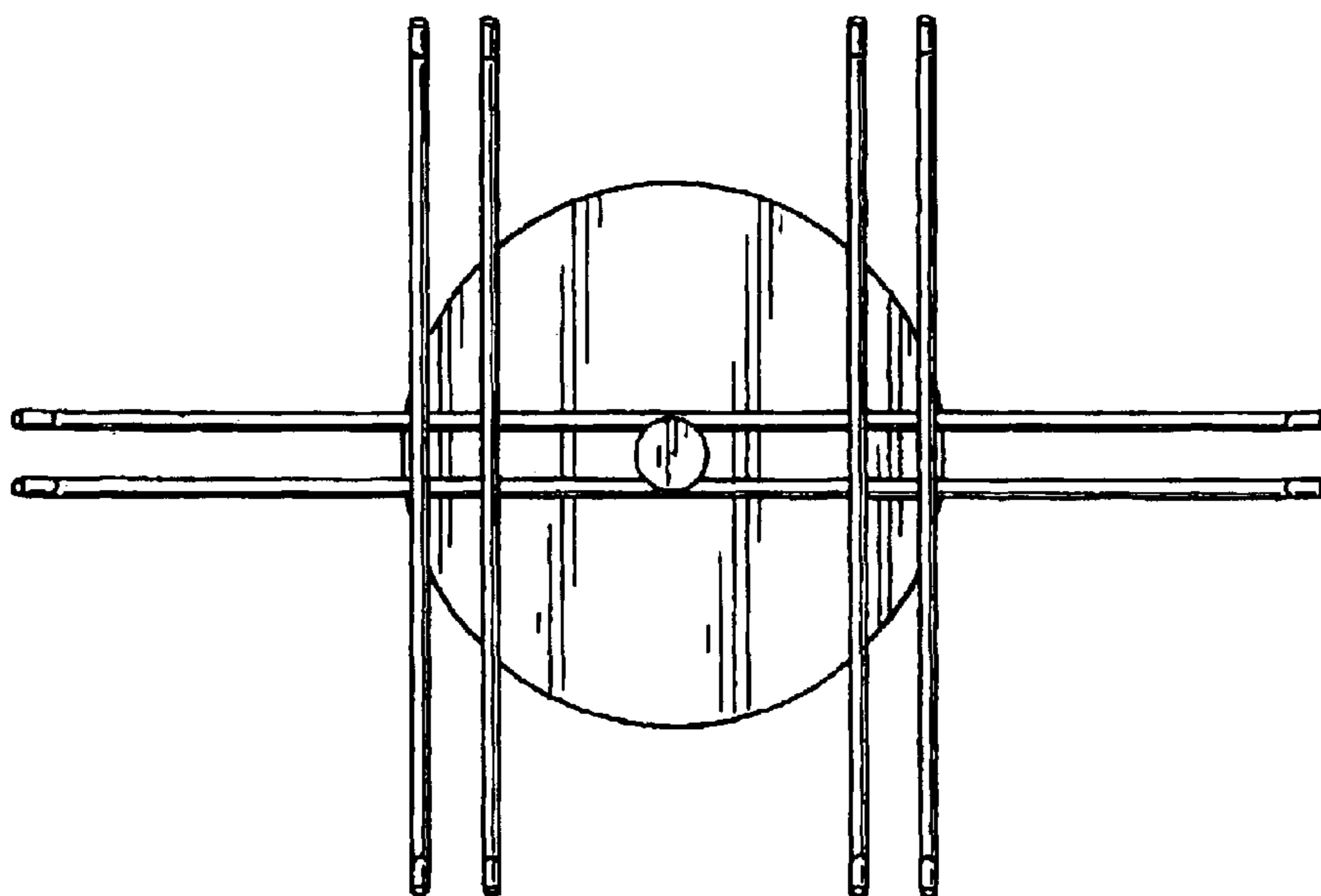


FIG. 4