



US00D498987S

(12) **United States Design Patent**
Vodhanel, Jr.

(10) **Patent No.:** **US D498,987 S**

(45) **Date of Patent:** **** Nov. 30, 2004**

(54) **APPARATUS FOR MAKING A CAVITY IN BUN**

4,656,935 A * 4/1987 Kukura 99/426
5,690,019 A * 11/1997 Barker et al. 99/428
D391,124 S * 2/1998 Cote D7/672

(76) **Inventor:** **Joseph J. Vodhanel, Jr.**, 10937
Groveland Ave., Whittier, CA (US)
90603

* cited by examiner

Primary Examiner—Terry A. Wallace

(**) **Term:** **14 Years**

(57) **CLAIM**

(21) **Appl. No.:** **29/202,380**

I claim the ornamental design for a “apparatus for making a cavity in bun,” as shown and described.

(22) **Filed:** **Mar. 31, 2004**

DESCRIPTION

(51) **LOC (7) Cl.** **07-04**

(52) **U.S. Cl.** **D7/672**

(58) **Field of Search** D7/672, 674, 381;
99/339, 422, 426, 428, 439, 441, 442, 450.5,
450.6; 249/119, 122, 170; 425/92, 128

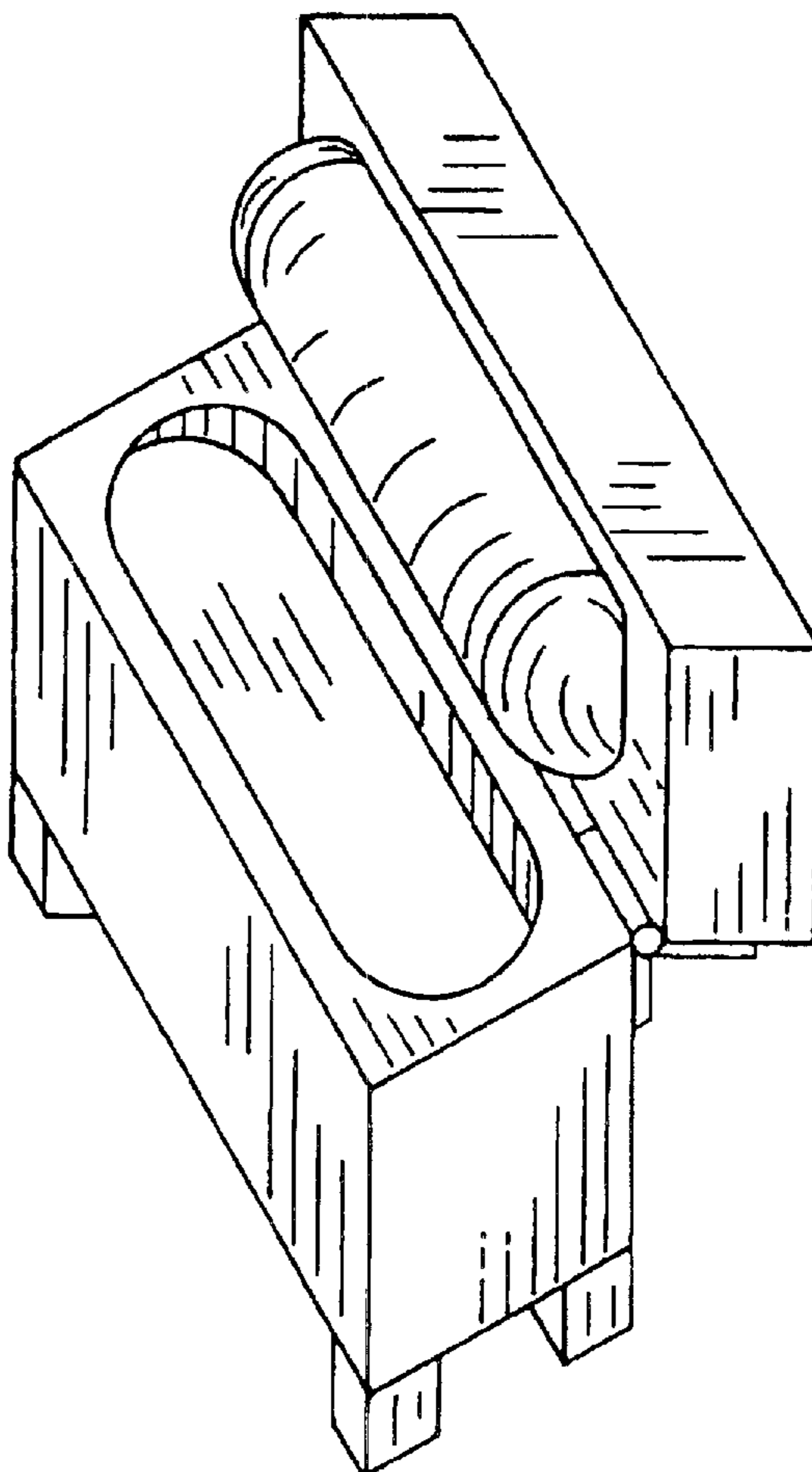
FIG. 1 is a top plan view of my apparatus for making a cavity in a bun showing my new design;
FIG. 2 is a front elevational view thereof;
FIG. 3 is a bottom view thereof;
FIG. 4 is a right side elevational view; the left side view is a mirror image thereof;
FIG. 5 is a rear elevational view thereof;
FIG. 6 is a front perspective view taken in a closed position thereof;
FIG. 7 is a cross sectional view taken along line 7—7 of FIG. 1 thereof; and,
FIG. 8 is a perspective view thereof.

(56) **References Cited**

U.S. PATENT DOCUMENTS

2,601,822 A * 7/1952 Hopkins 99/339
3,356,044 A * 12/1967 Keathley et al. 249/170
3,552,711 A * 1/1971 DeLaney et al. 249/170
4,437,826 A * 3/1984 Tezuka D7/672
4,543,053 A * 9/1985 Jasniewski 99/450.5

1 Claim, 2 Drawing Sheets



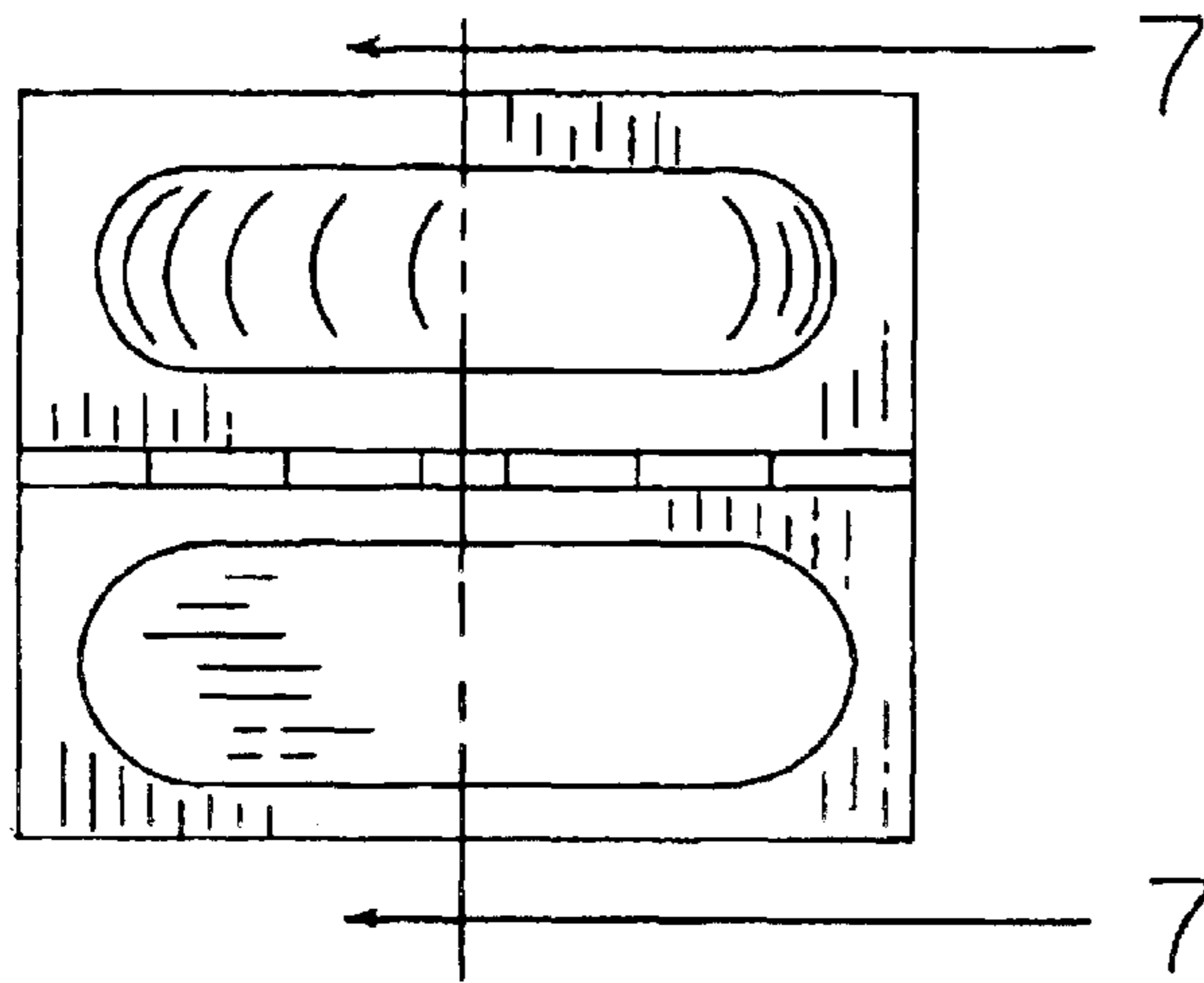


FIG. 1

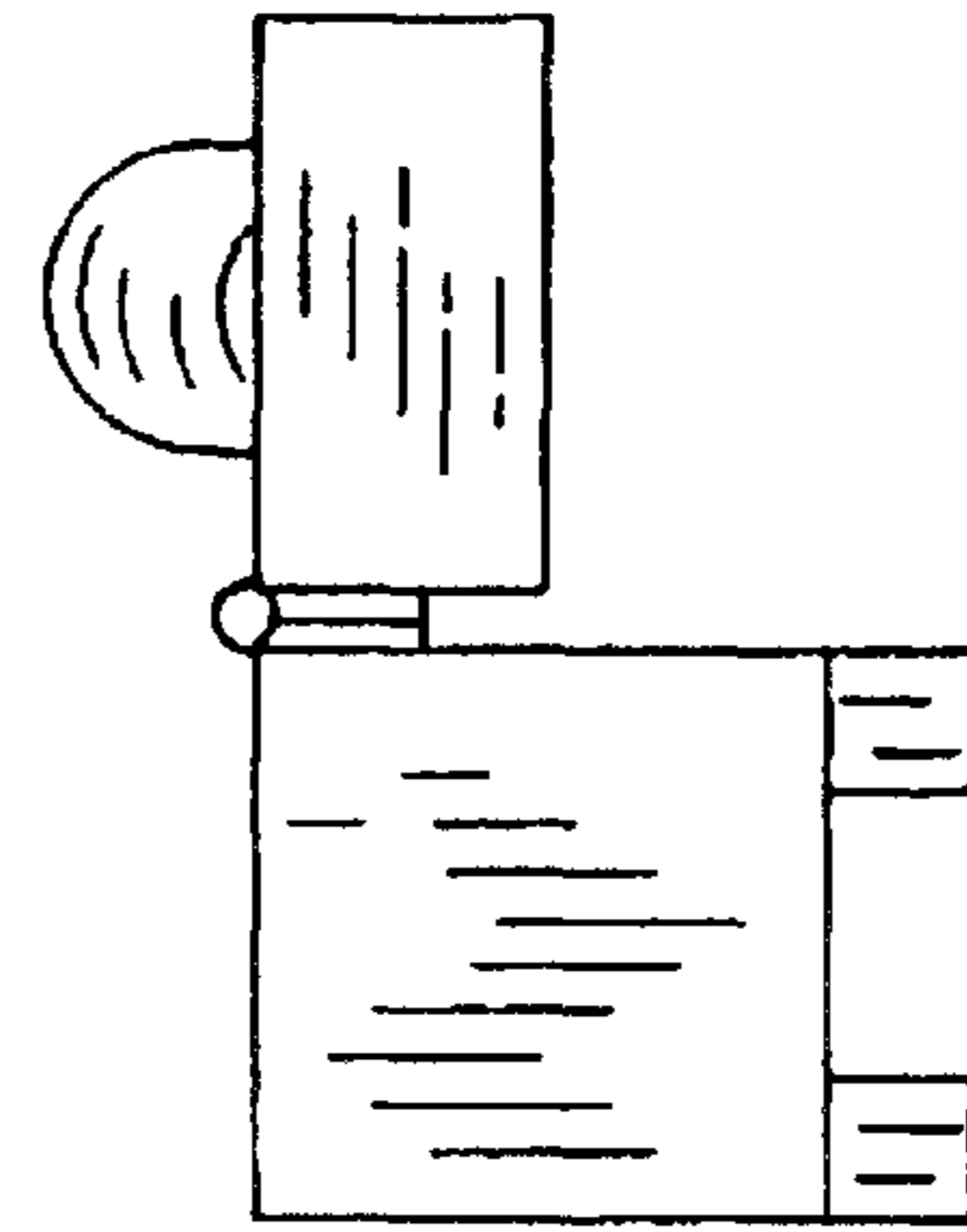


FIG. 4

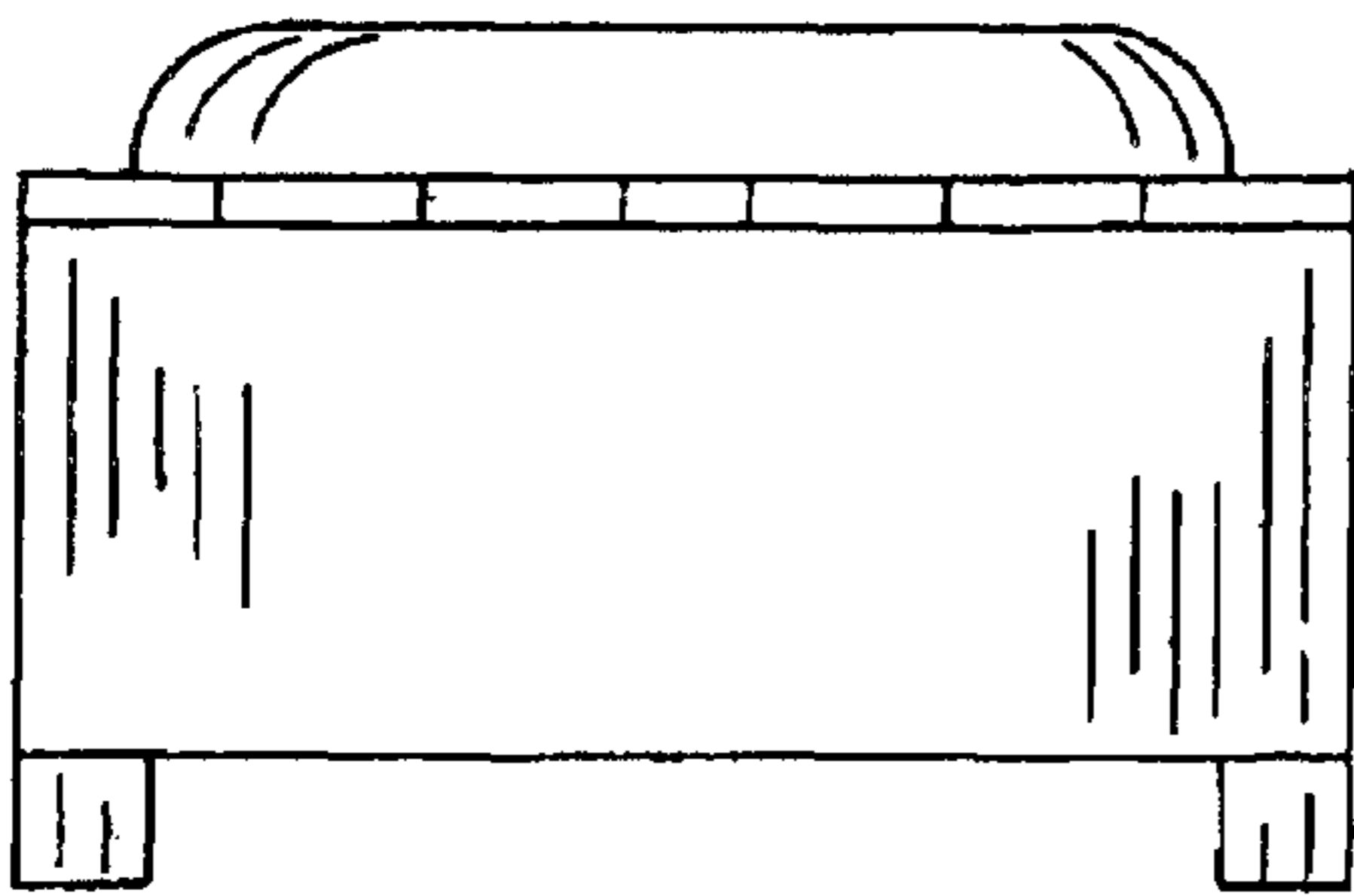


FIG. 2

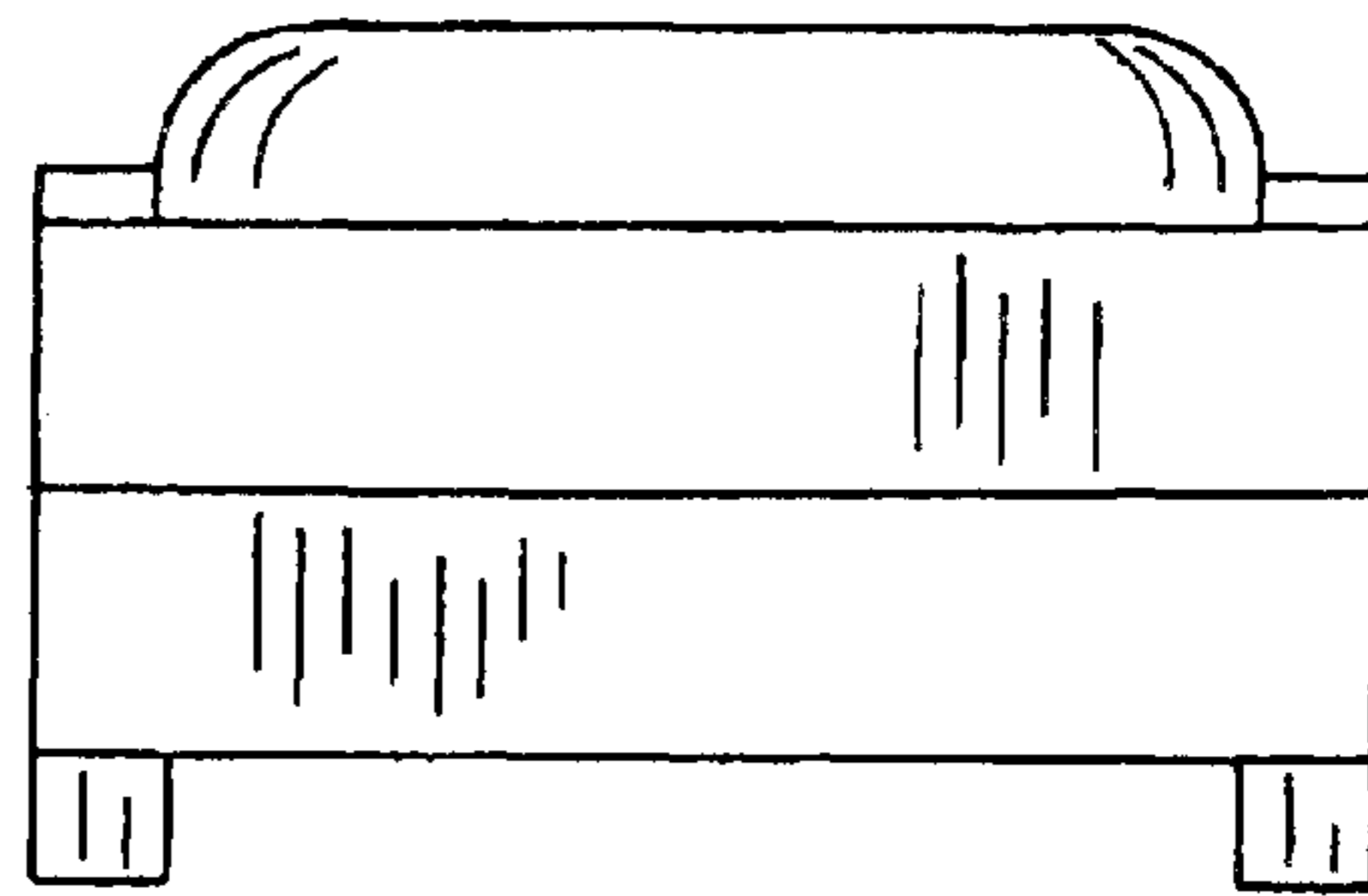


FIG. 5

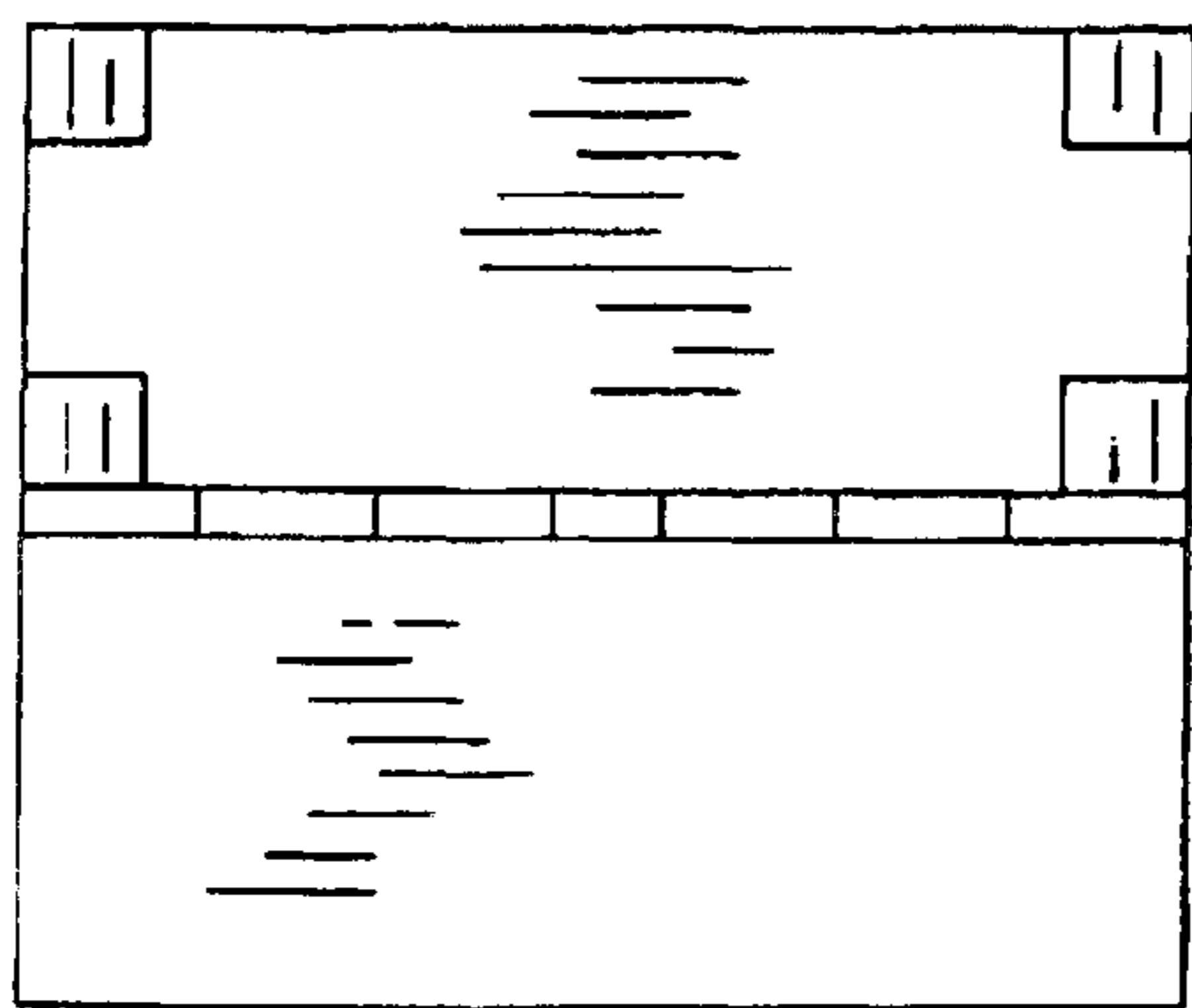


FIG. 3

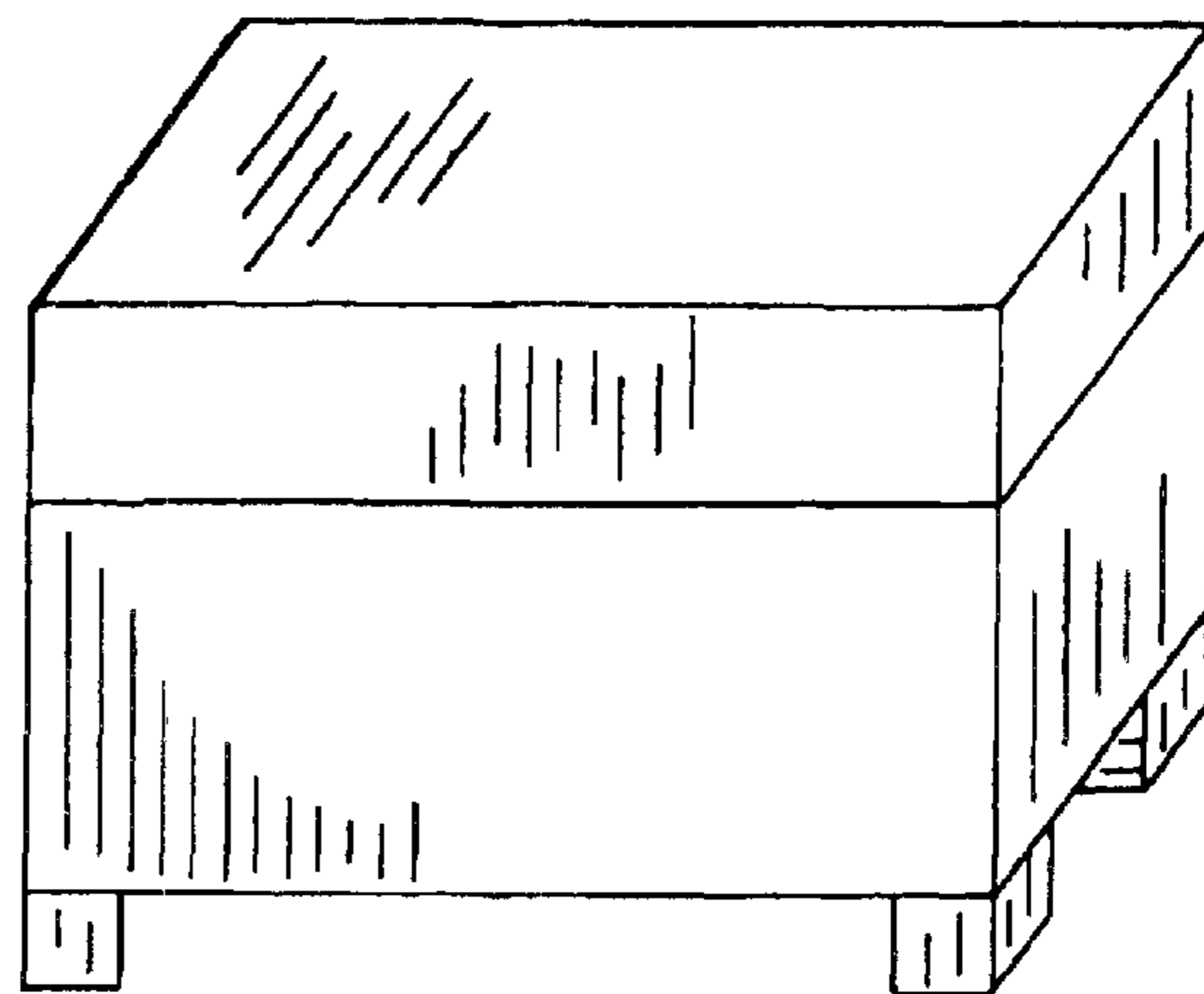


FIG. 6

FIG. 7

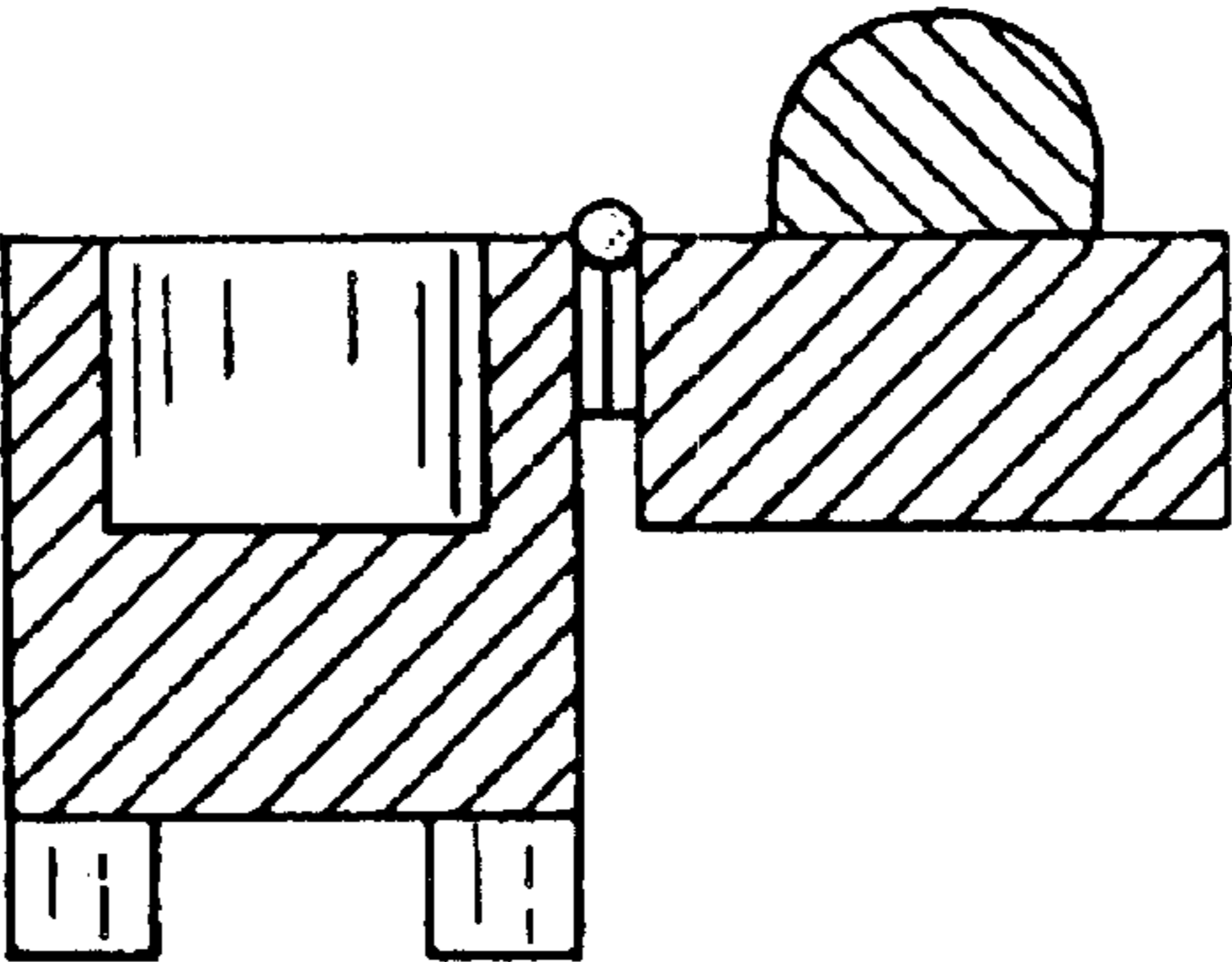


FIG. 8

