



US00D498986S

(12) **United States Design Patent**  
**So**

(10) **Patent No.:** **US D498,986 S**

(45) **Date of Patent:** **\*\* Nov. 30, 2004**

(54) **EGG YOLK SEPARATOR**

2,035,065 A \* 3/1936 Gray ..... 99/499

(76) **Inventor:** **Kwok Kuen So**, 2<sup>nd</sup> Floor, Chuan Yuan  
Factory Building, 342-344 Kwun Tong  
Road, Kwun Tong, Kowloon HK SAR  
(HK)

\* cited by examiner

*Primary Examiner*—Terry A. Wallace  
(74) *Attorney, Agent, or Firm*—Alix, Yale & Ristas, LLP

(\*\*) **Term:** **14 Years**

(57) **CLAIM**

The ornamental design for an egg yolk separator, as shown  
and described.

(21) **Appl. No.:** **29/192,665**

(22) **Filed:** **Oct. 27, 2003**

**DESCRIPTION**

(30) **Foreign Application Priority Data**

Jul. 21, 2003 (HK) ..... 0311146

(51) **LOC (7) Cl.** ..... **07-04**

(52) **U.S. Cl.** ..... **D7/667**

(58) **Field of Search** ..... D7/667, 682-696,  
D7/647, 653; 99/497, 499; 30/324-328

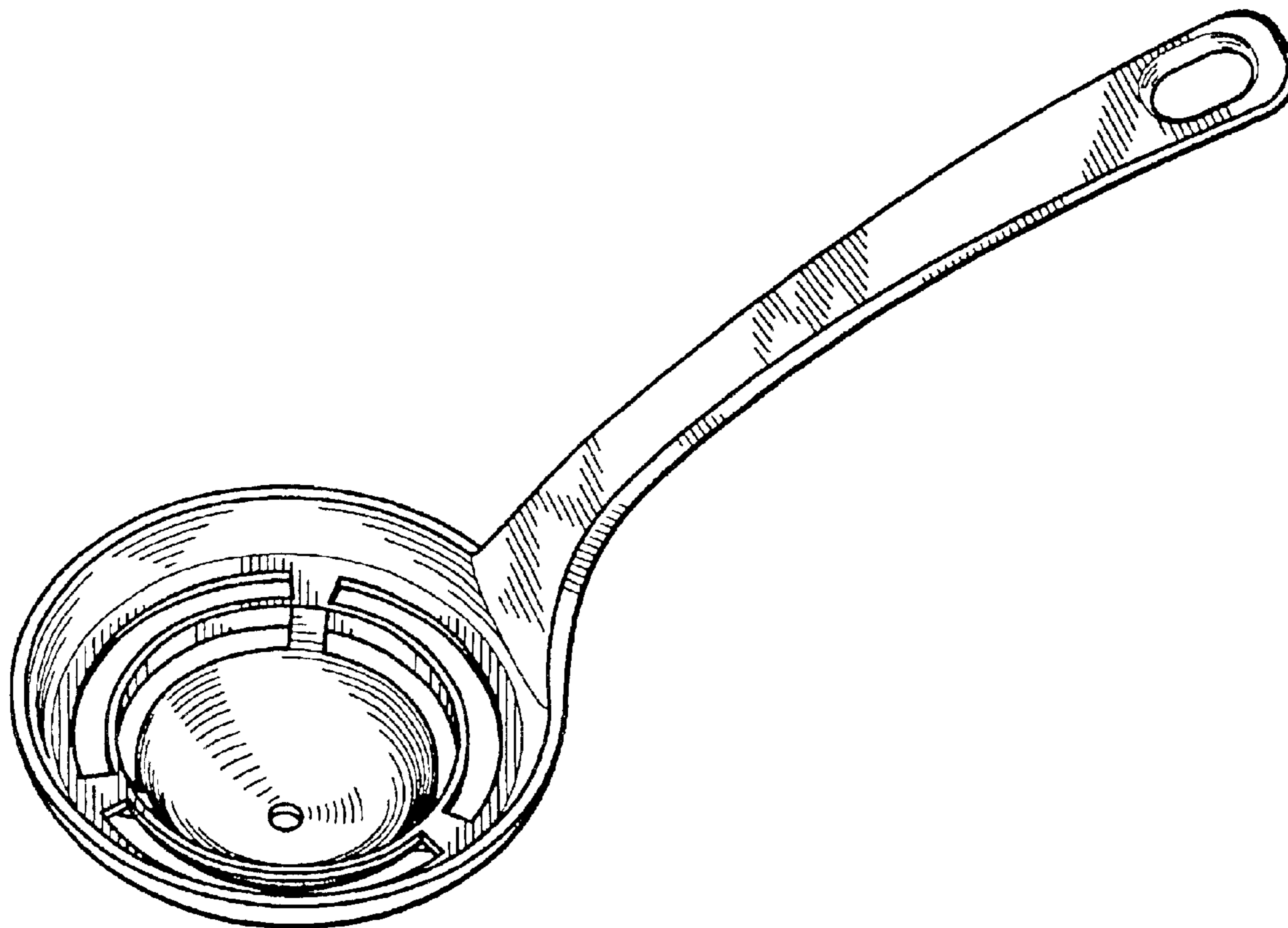
FIG. 1 is a front end, one side and top perspective view of  
an egg yolk separator showing my new design  
FIG. 2 is a top plan view thereof;  
FIG. 3 is a bottom plan view thereof;  
FIG. 4 is a one side elevational view thereof;  
FIG. 5 is an opposite side elevational view thereof;  
FIG. 6 is a front end elevational view thereof; and,  
FIG. 7 is a rear end elevational view thereof.

(56) **References Cited**

**U.S. PATENT DOCUMENTS**

2,018,162 A \* 10/1935 Weldon ..... 99/499

**1 Claim, 4 Drawing Sheets**



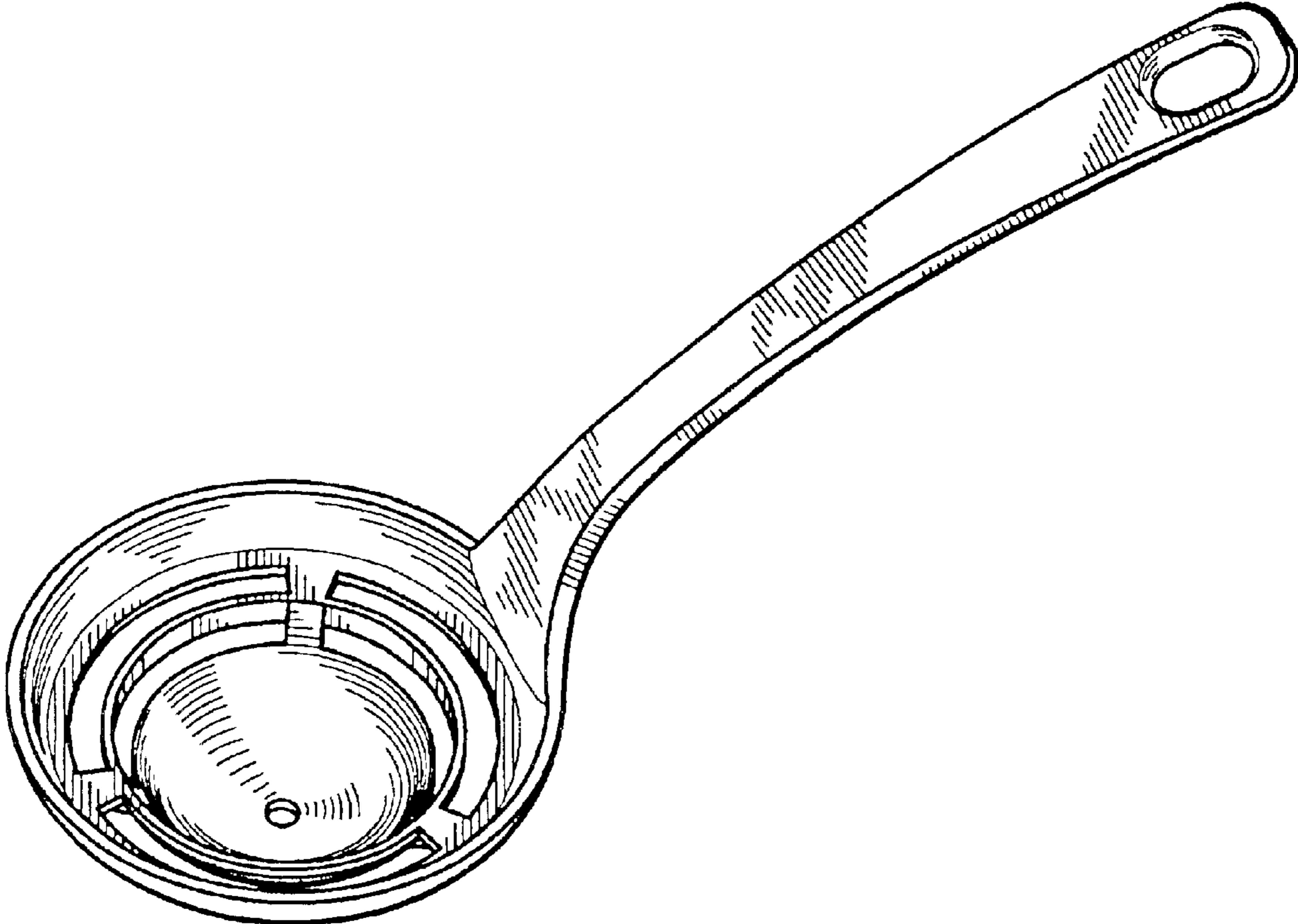


FIG. 1

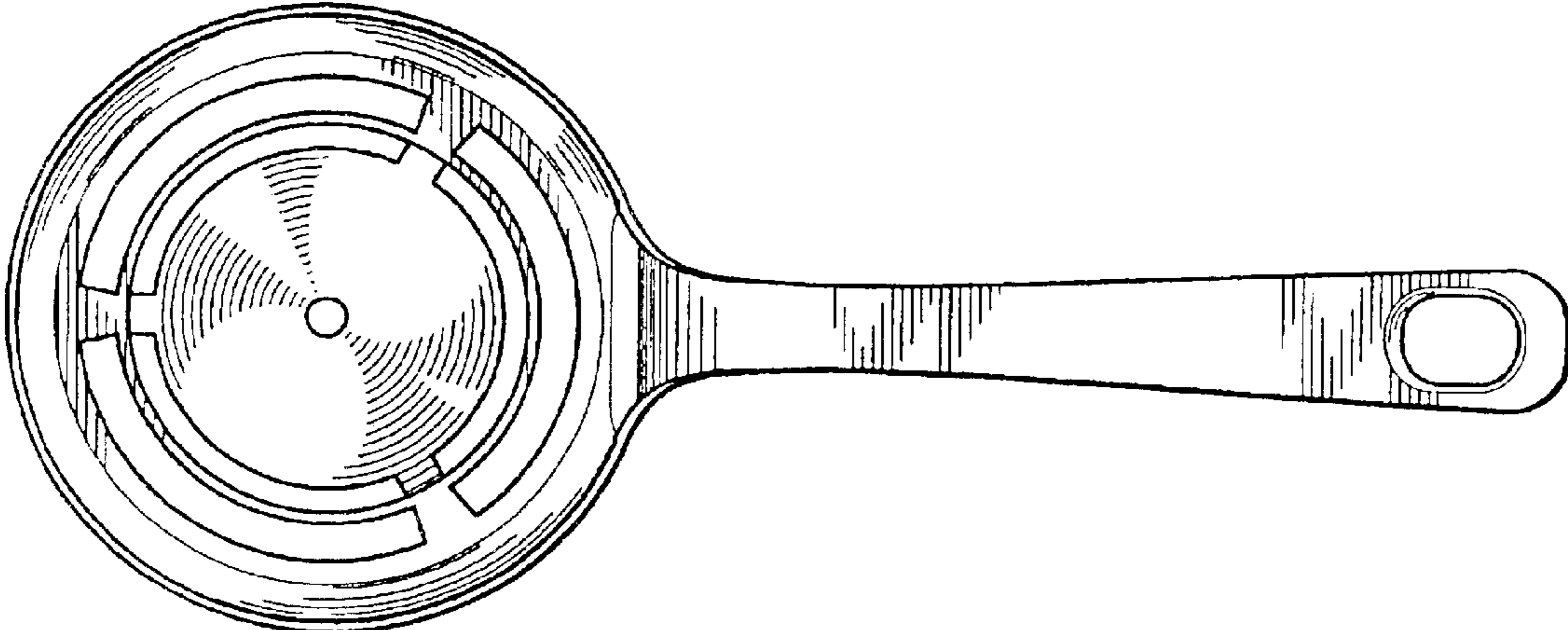


FIG. 2

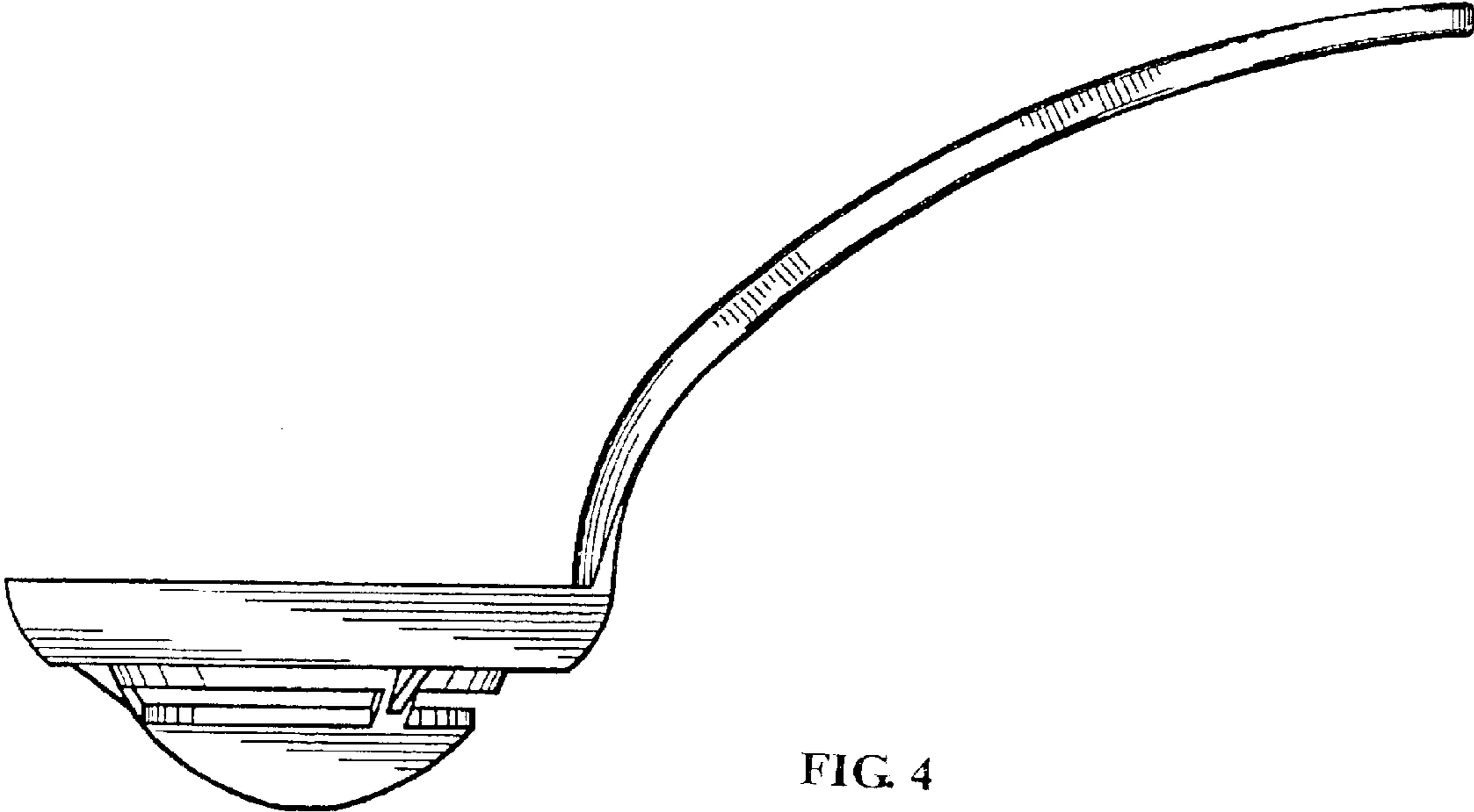


FIG. 4

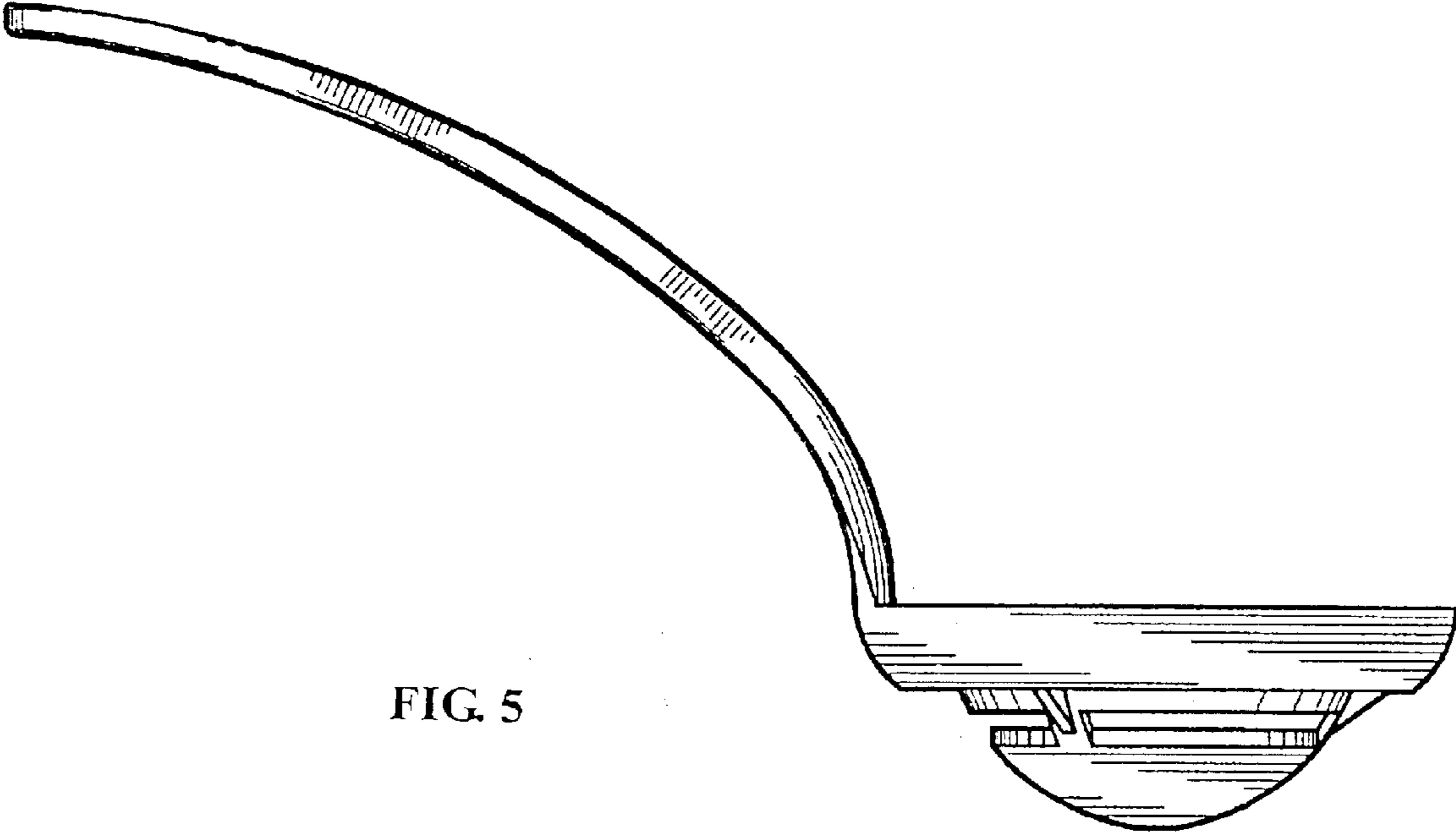


FIG. 5

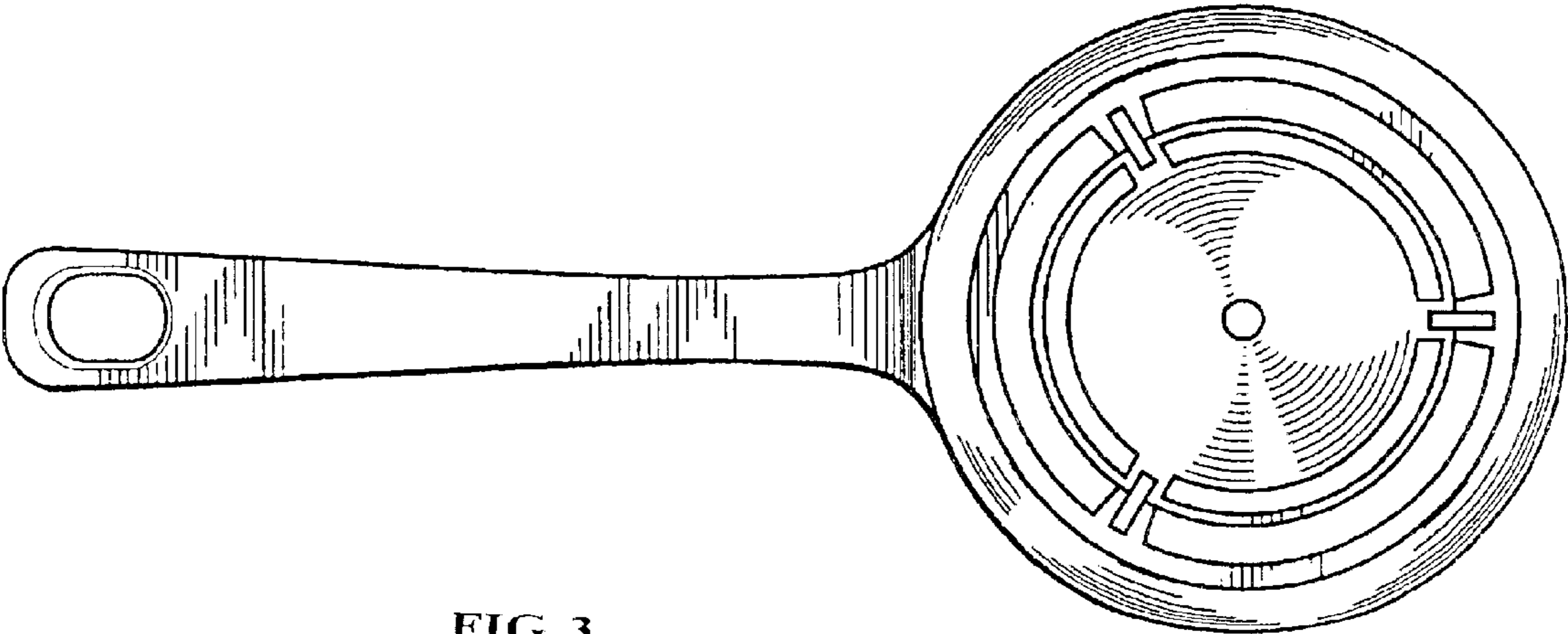


FIG. 3

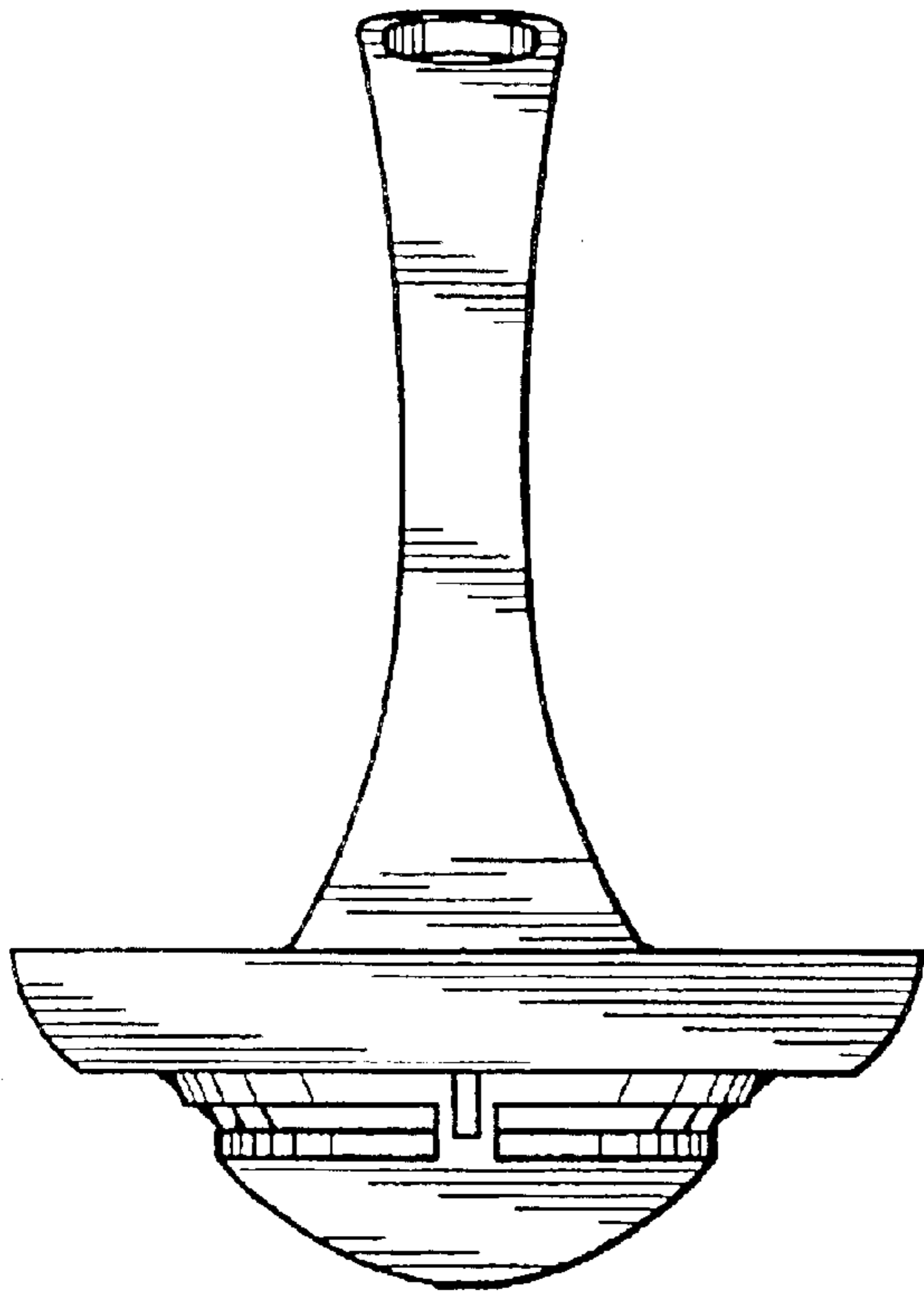


FIG. 6

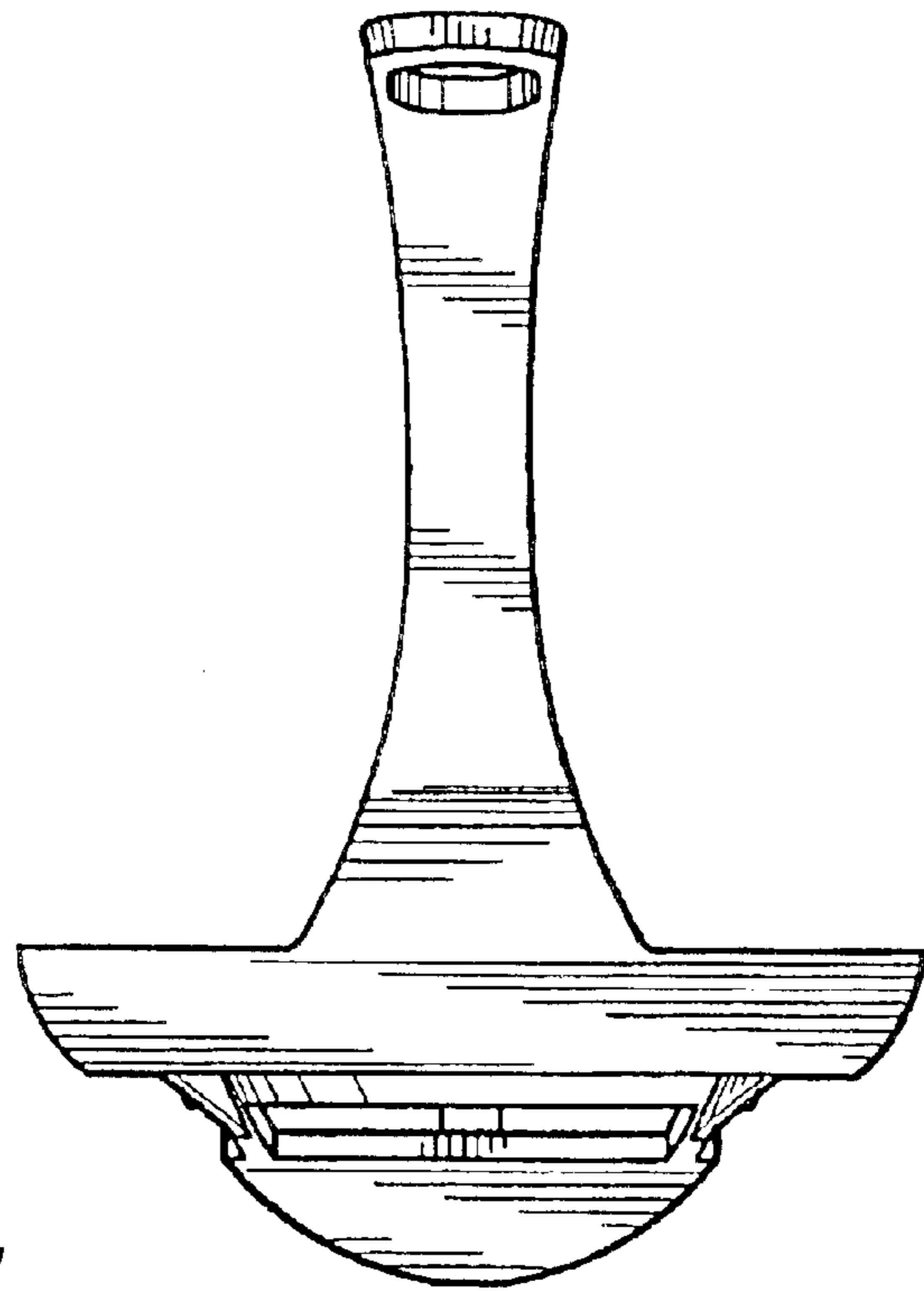


FIG. 7