



US00D498984S

(12) **United States Design Patent**
Massey, Jr.

(10) **Patent No.:** **US D498,984 S**

(45) **Date of Patent:** **** Nov. 30, 2004**

(54) **KNIFE TABLE**

(76) **Inventor:** **George W. Massey, Jr.**, P.O. Box 774,
Starr, SC (US) 29684

(**) **Term:** **14 Years**

(21) **Appl. No.:** **29/188,976**

(22) **Filed:** **Aug. 27, 2003**

(51) **LOC (7) Cl.** **07-06**

(52) **U.S. Cl.** **D7/641**

(58) **Field of Search** D7/637-641; D6/480-490,
D6/509; 211/13.1, 60.1, 70.6, 70.7; 248/37.3,
37.6, 146, 176.1; 108/28, 50.11, 151, 153.1,
160, 161

(56) **References Cited**

U.S. PATENT DOCUMENTS

926,852 A	*	7/1909	Catlin	248/37.3
1,876,284 A	*	9/1932	Fried	248/37.6
2,333,715 A	*	11/1943	Hahnemann	211/70.1
2,639,038 A	*	5/1953	Merritt	248/37.6
4,303,188 A	*	12/1981	Calabrese	224/674
D440,087 S	*	4/2001	Noll	D6/480

6,439,403 B1 * 8/2002 Levsen 211/70.7

* cited by examiner

Primary Examiner—Terry A. Wallace

(74) *Attorney, Agent, or Firm*—Dority & Manning, P.A.

(57) **CLAIM**

The ornamental design for a knife table, as shown and described.

DESCRIPTION

FIG. 1 is a left front perspective view of a knife table illustrating my new design;

FIG. 2 is a top plan view further illustrating my design;

FIG. 3 is a first side elevational view thereof;

FIG. 4 is a second side elevational view thereof;

FIG. 5 is a bottom plan view thereof;

FIG. 6 is a left front perspective view illustrating a second embodiment of FIG. 1, the only difference being the addition of two identical units; and,

FIG. 7 is a longitudinal sectional view through line 7—7 of FIG. 6 illustrating the internal construction of a second embodiment of FIG. 1, the only difference being the addition of two identical units, wherein the broken lines are for illustrative purposes and form no part of the design.

1 Claim, 2 Drawing Sheets

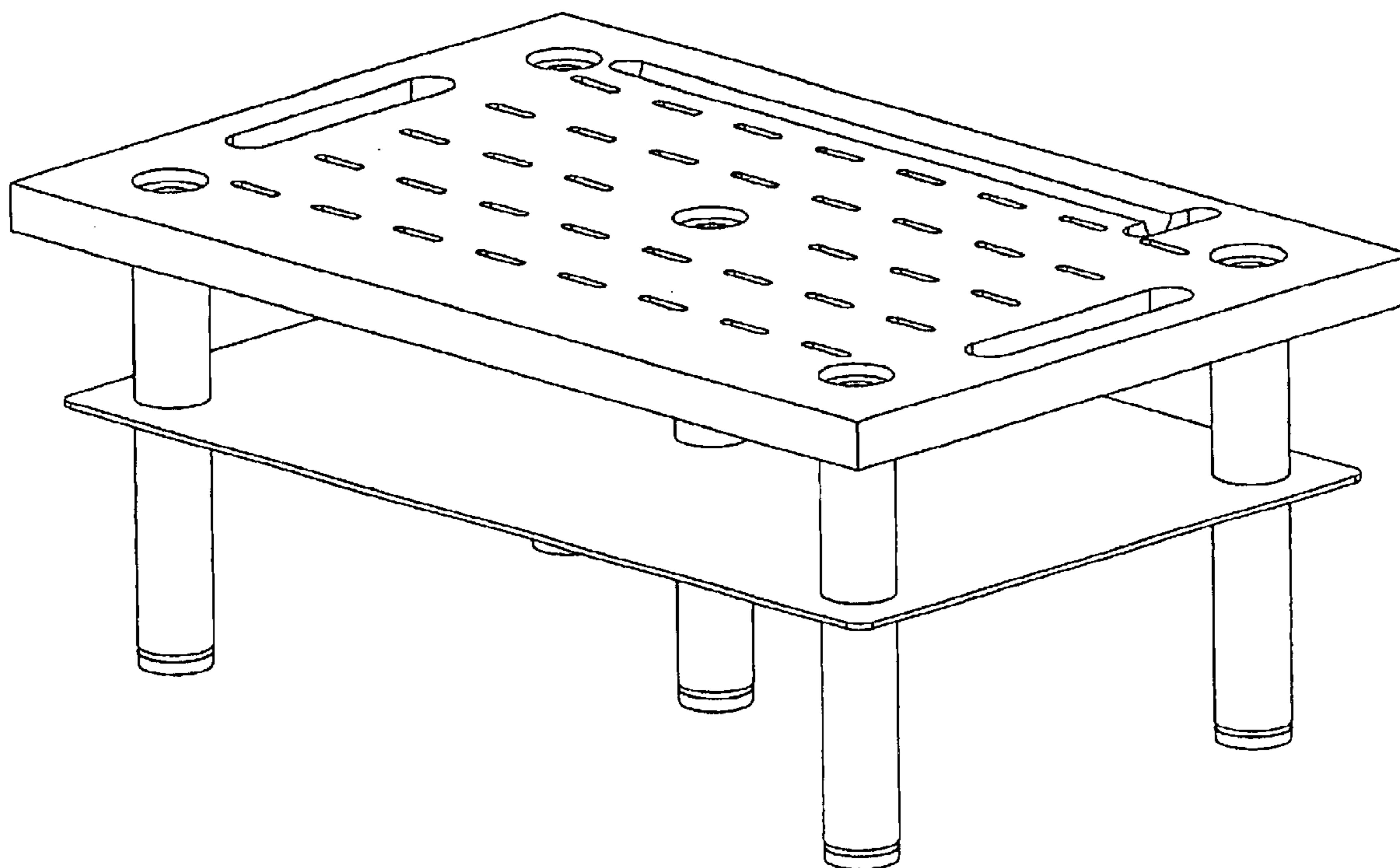


Fig. 1.

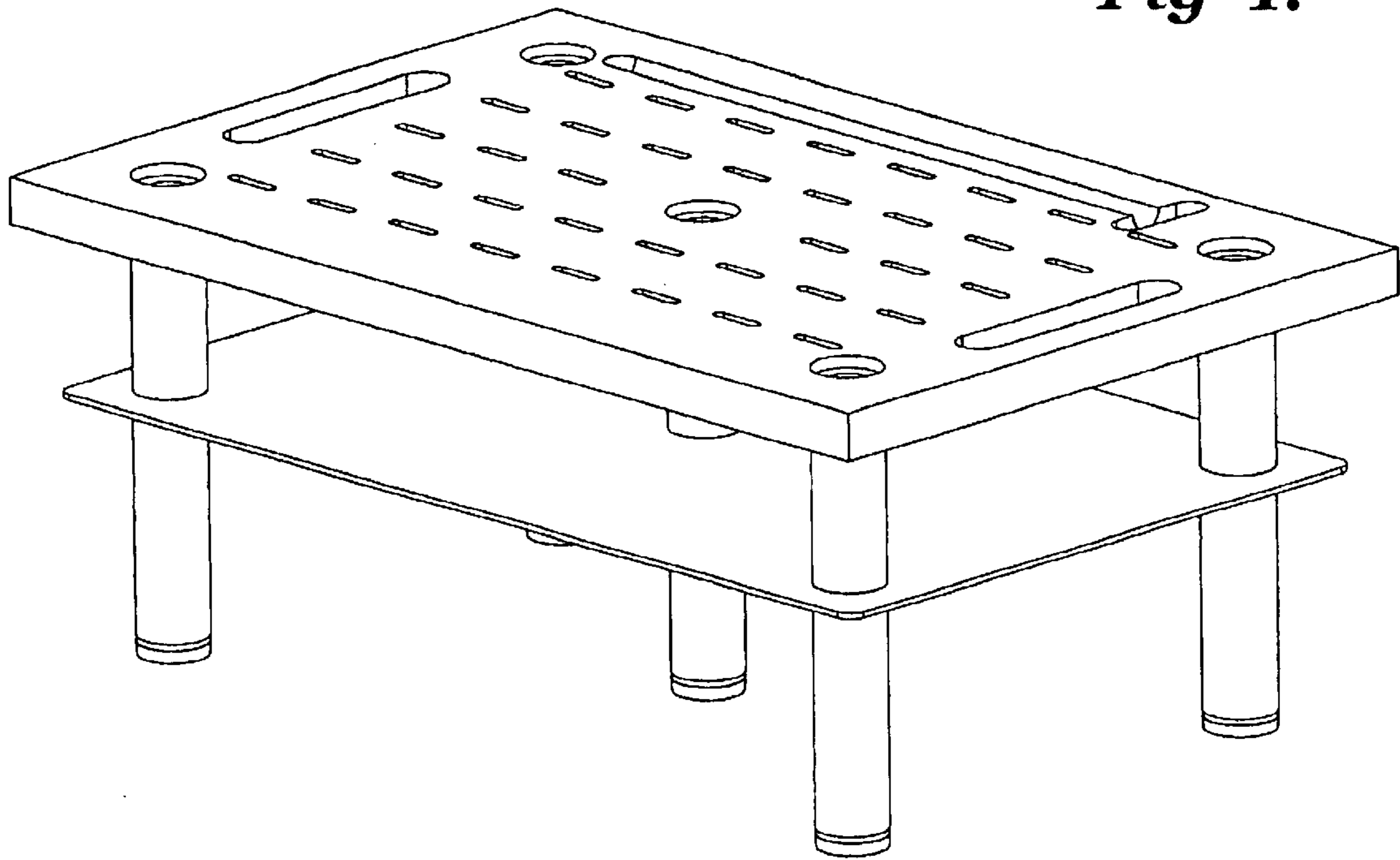
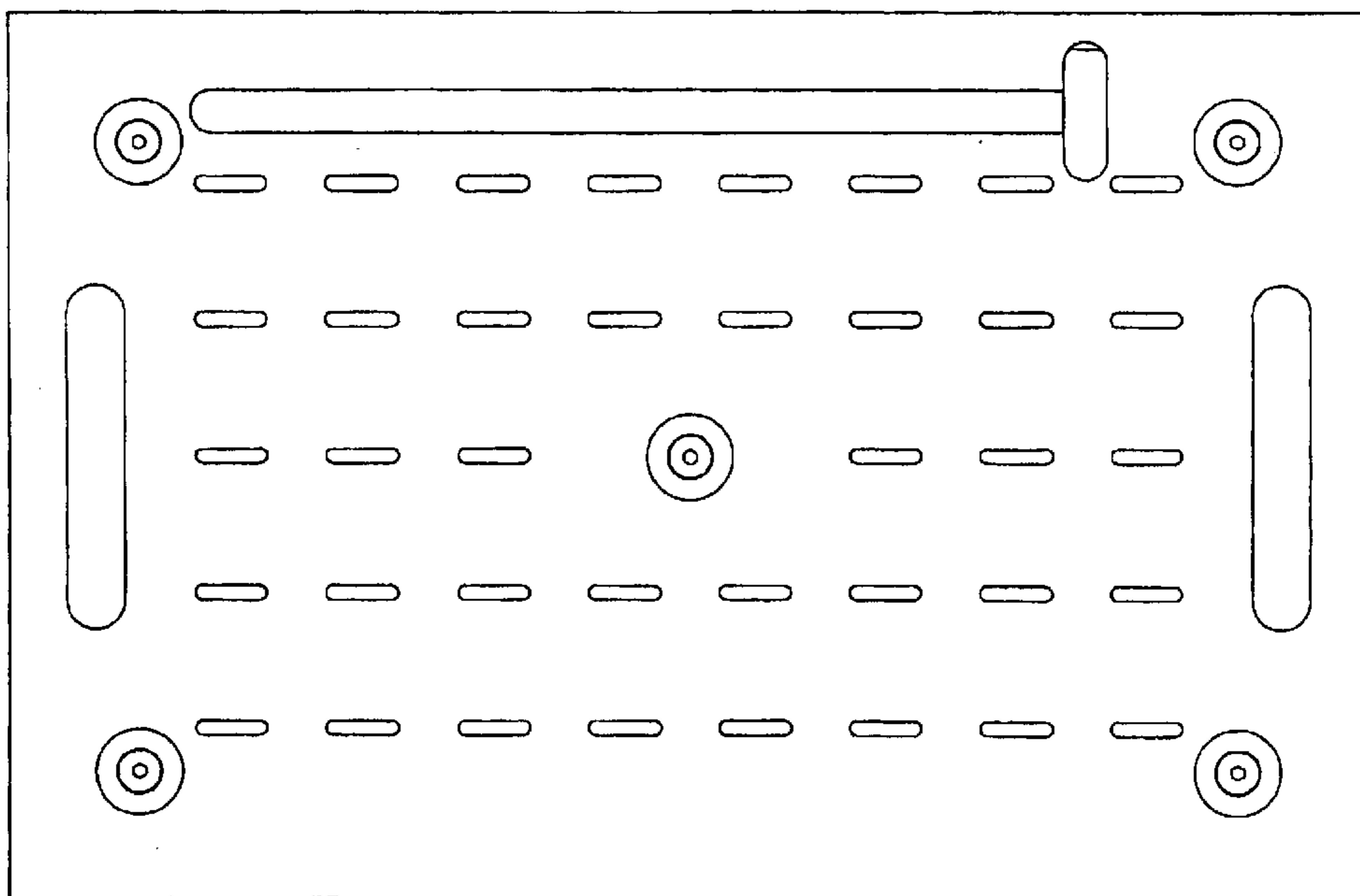


Fig. 2.



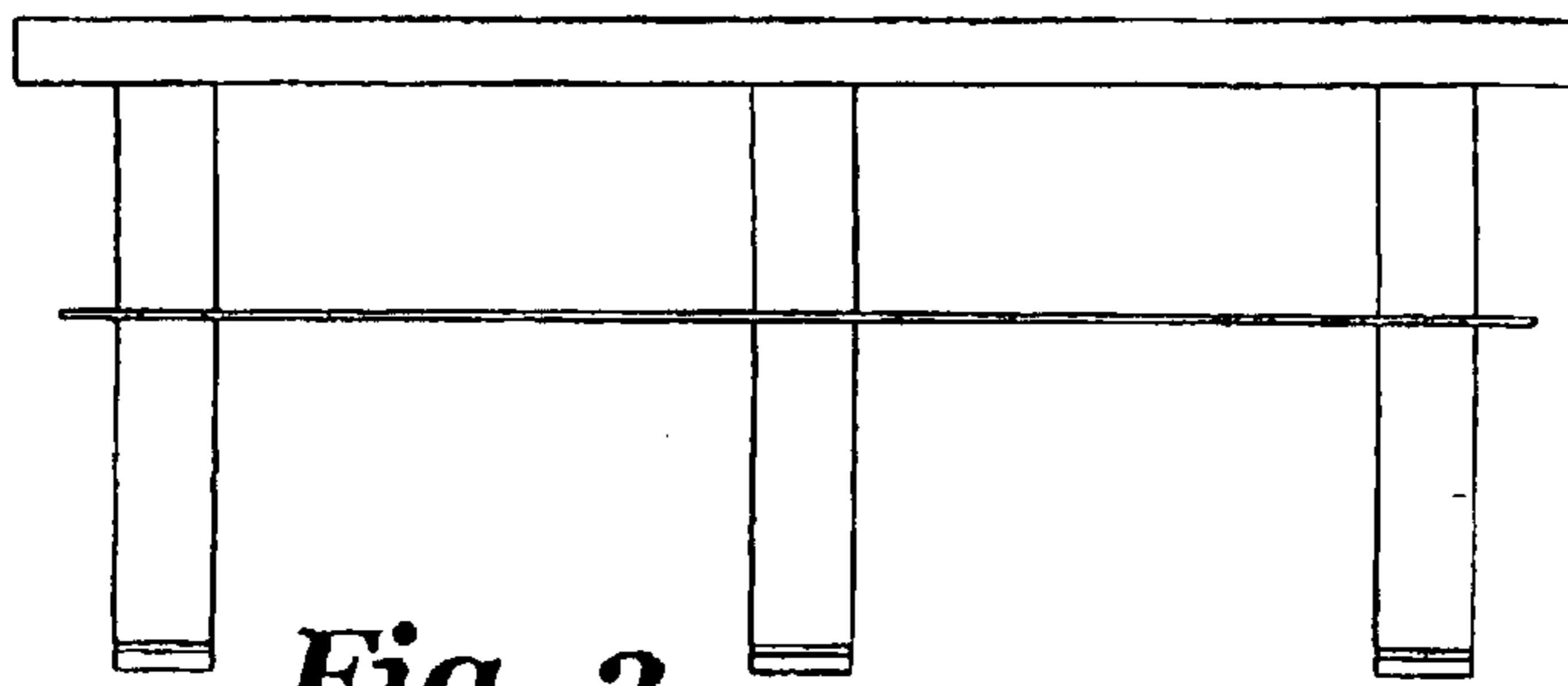


Fig. 3.

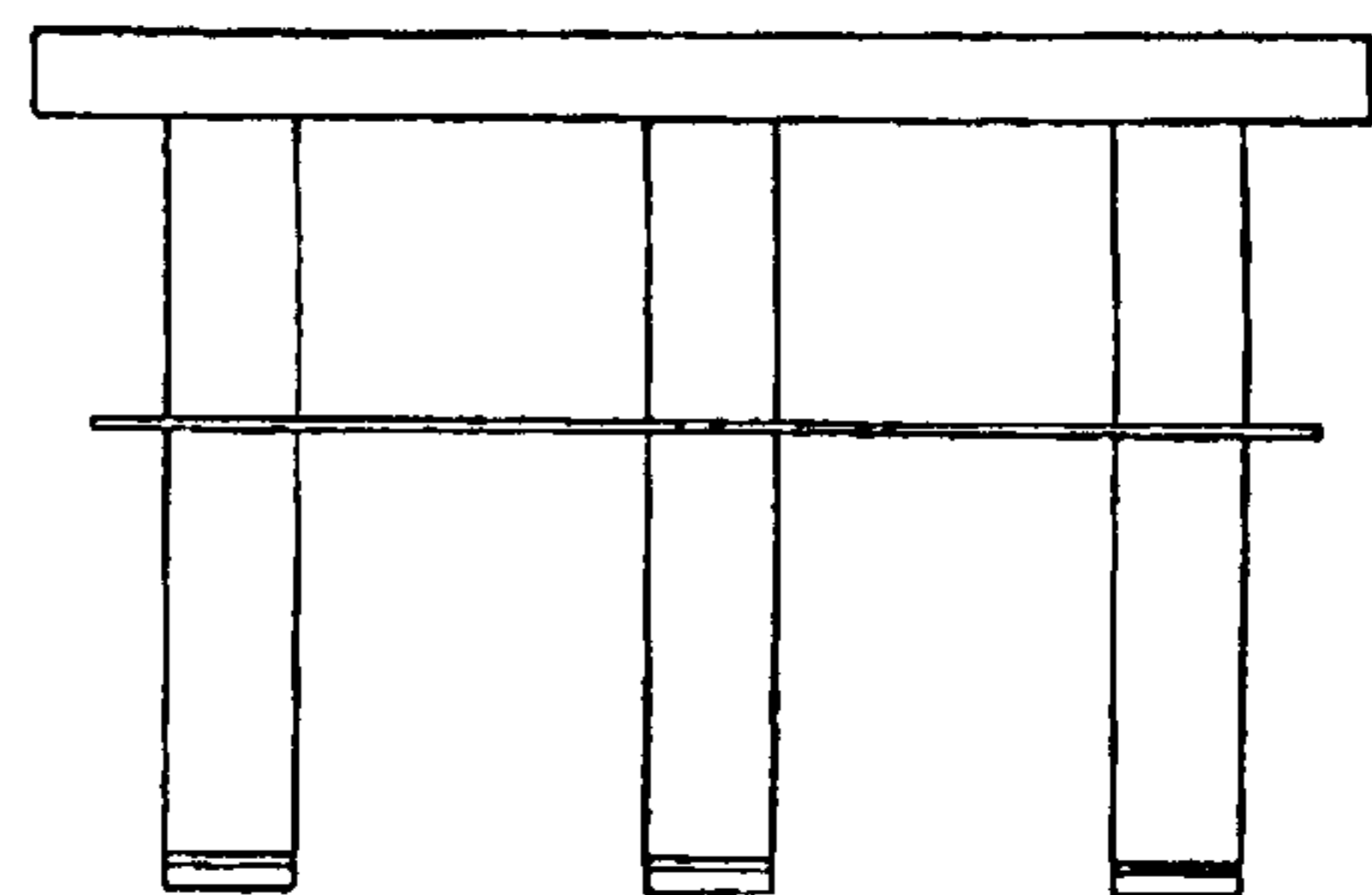


Fig. 4.

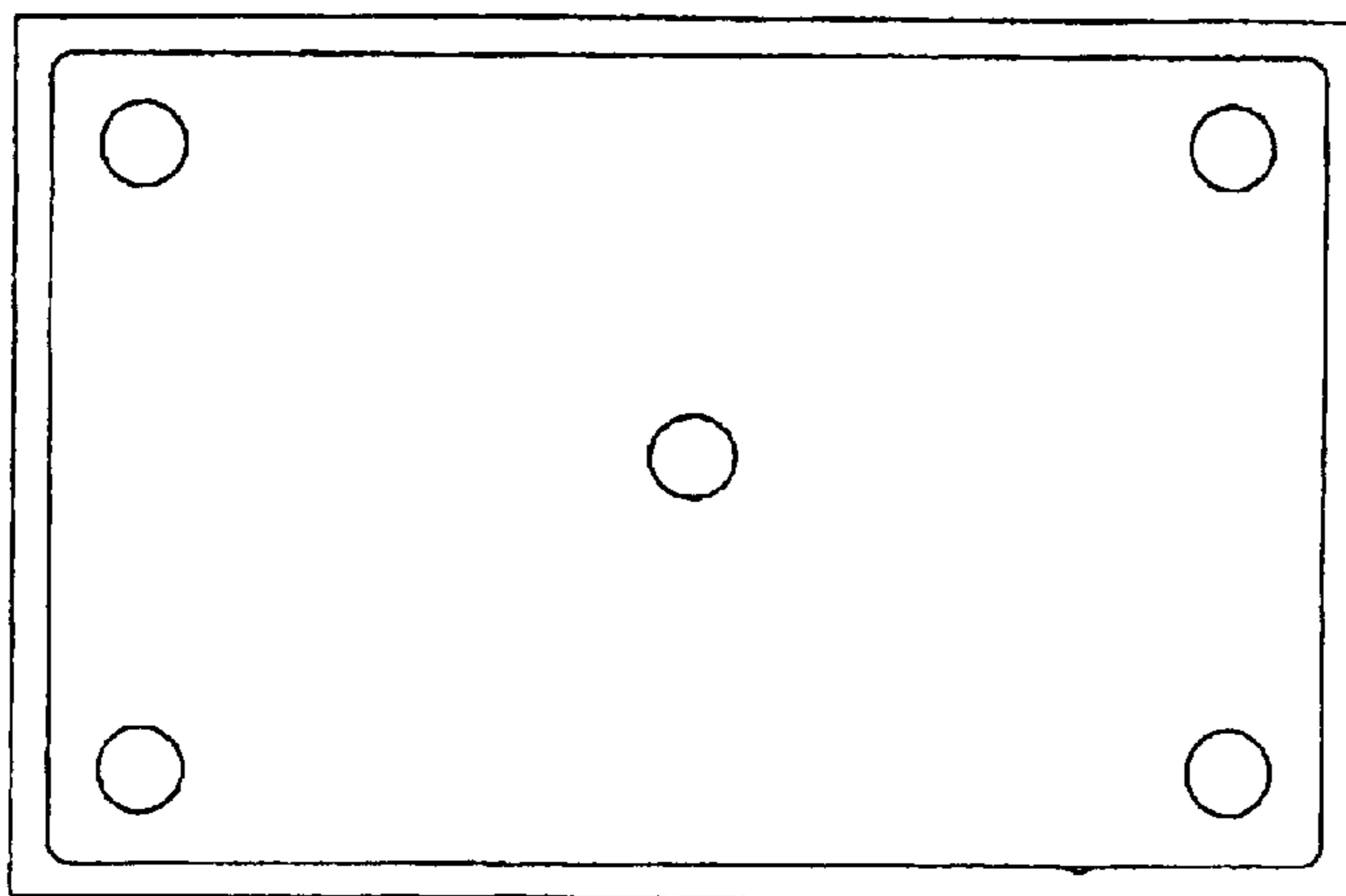


Fig. 5.

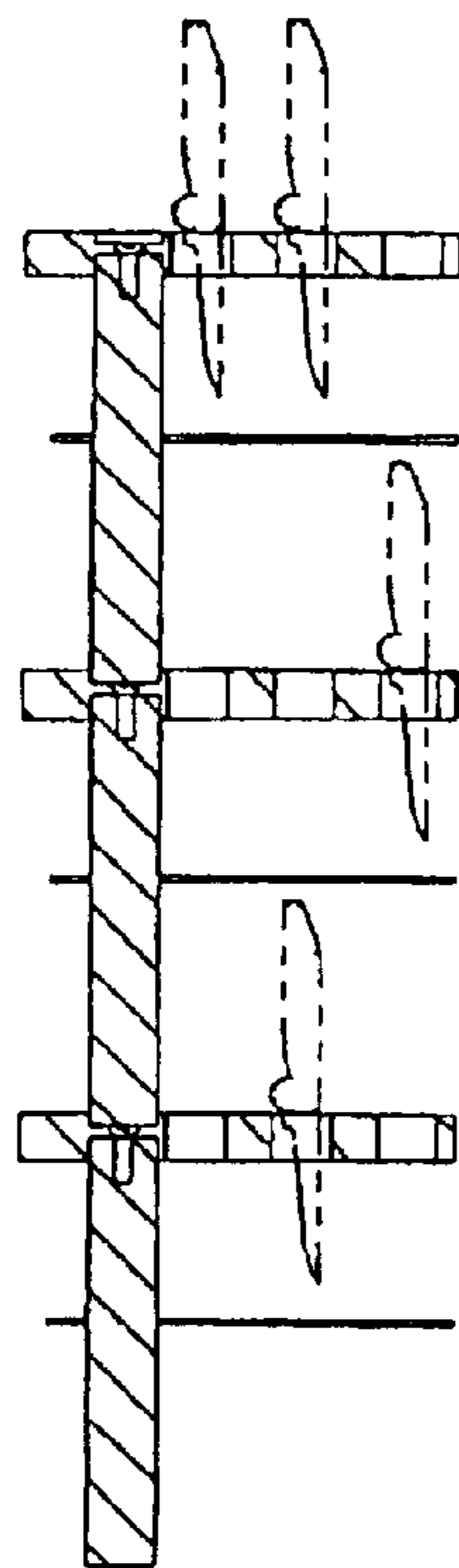


Fig. 7.

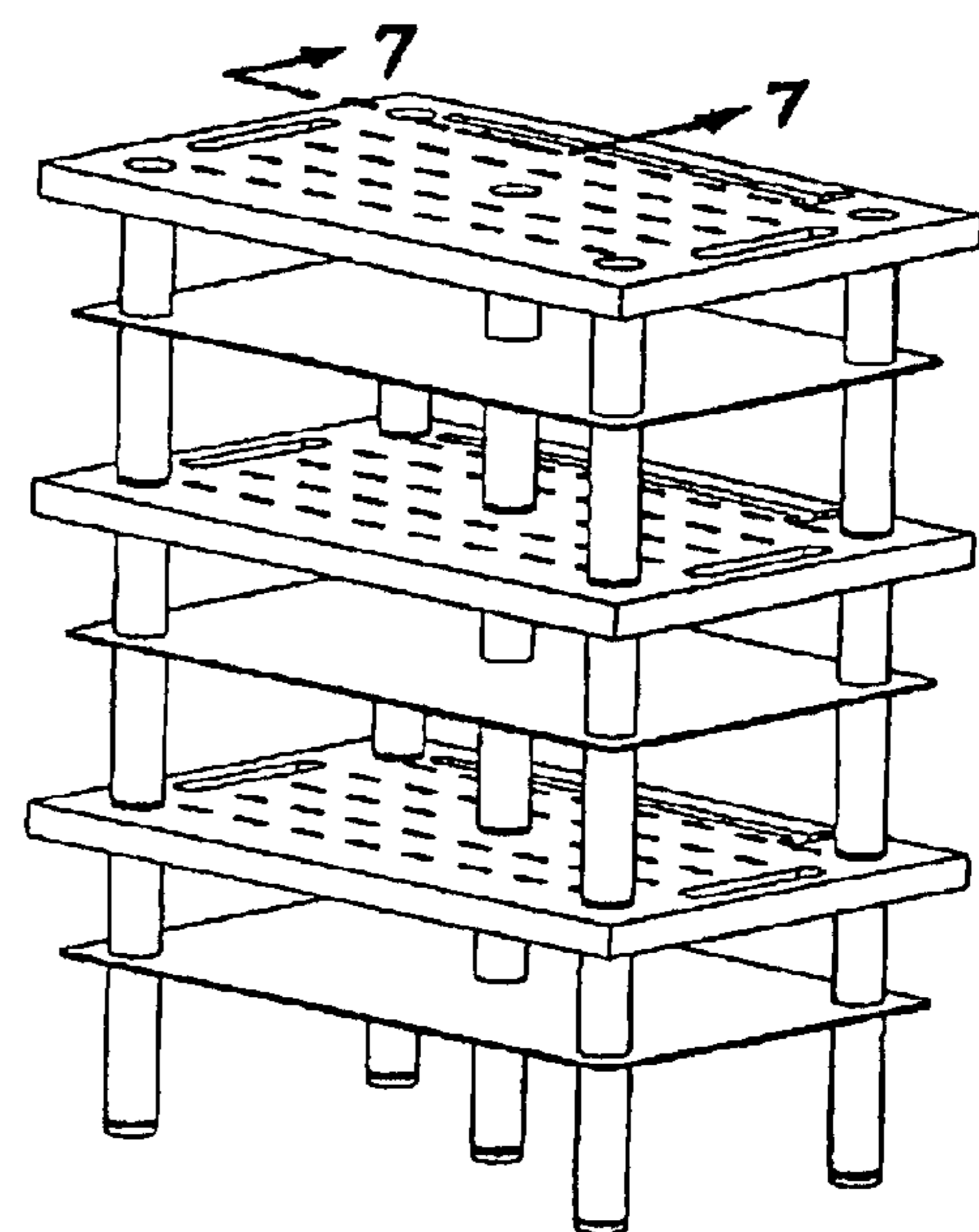


Fig. 6.