

US00D498974S

(12) **United States Design Patent**
Hsieh

(10) **Patent No.:** **US D498,974 S**

(45) **Date of Patent:** **** Nov. 30, 2004**

(54) **WINE GLASS CLIP**

(76) **Inventor:** **David Hsieh, 1F., No. 275, Yung Fust St., San Chung City, Taipei (TW)**

(**) **Term:** **14 Years**

(21) **Appl. No.:** **29/182,619**

(22) **Filed:** **May 30, 2003**

(51) **LOC (7) Cl. 07-99**

(52) **U.S. Cl. D7/396.2; D7/396.1; D7/387**

(58) **Field of Search D7/396.1, 387, D7/396.2, 396.3, 213, 515, 667; 116/308; 210/469, 474; 215/365, 386; 220/703, 735, 716, 23.83; 431/289; 40/324, 310, 666; D9/434, 451; D11/4, 40**

(56) **References Cited**

U.S. PATENT DOCUMENTS

1,344,179	A	*	6/1920	Dieguez et al.	220/716
1,944,045	A	*	1/1934	Trampier	220/716
1,948,932	A	*	2/1934	McMickle	220/23.83
D112,449	S	*	12/1938	Hall	D7/396.3
D144,797	S	*	5/1946	Moss	D7/396.1
2,625,131	A	*	1/1953	Sturhahn	116/308
2,658,297	A	*	11/1953	Woolsey	40/324
2,744,631	A	*	5/1956	Toombs	210/469
D180,460	S	*	6/1957	Roody	D7/402
2,976,629	A	*	3/1961	Brixius et al.	40/310
3,150,084	A	*	9/1964	Rodges	210/469
3,298,206	A	*	1/1967	Hingston	431/289

3,399,780	A	*	9/1968	Macaluso, Jr. et al.	210/469
3,917,533	A	*	11/1975	Macaluso, Jr.	210/469
D345,889	S	*	4/1994	Herricks	D7/396.2
D373,930	S	*	9/1996	Gruneisen, III	D7/515
D393,782	S	*	4/1998	Langford	D7/667
D457,388	S	*	5/2002	Milroy	D7/396.2
D459,151	S	*	6/2002	Skapyak	D7/396.2
6,530,163	B2	*	3/2003	Skapyak et al.	40/310
D477,781	S	*	7/2003	Lavallee	D9/434

* cited by examiner

Primary Examiner—M. N. Pandozzi

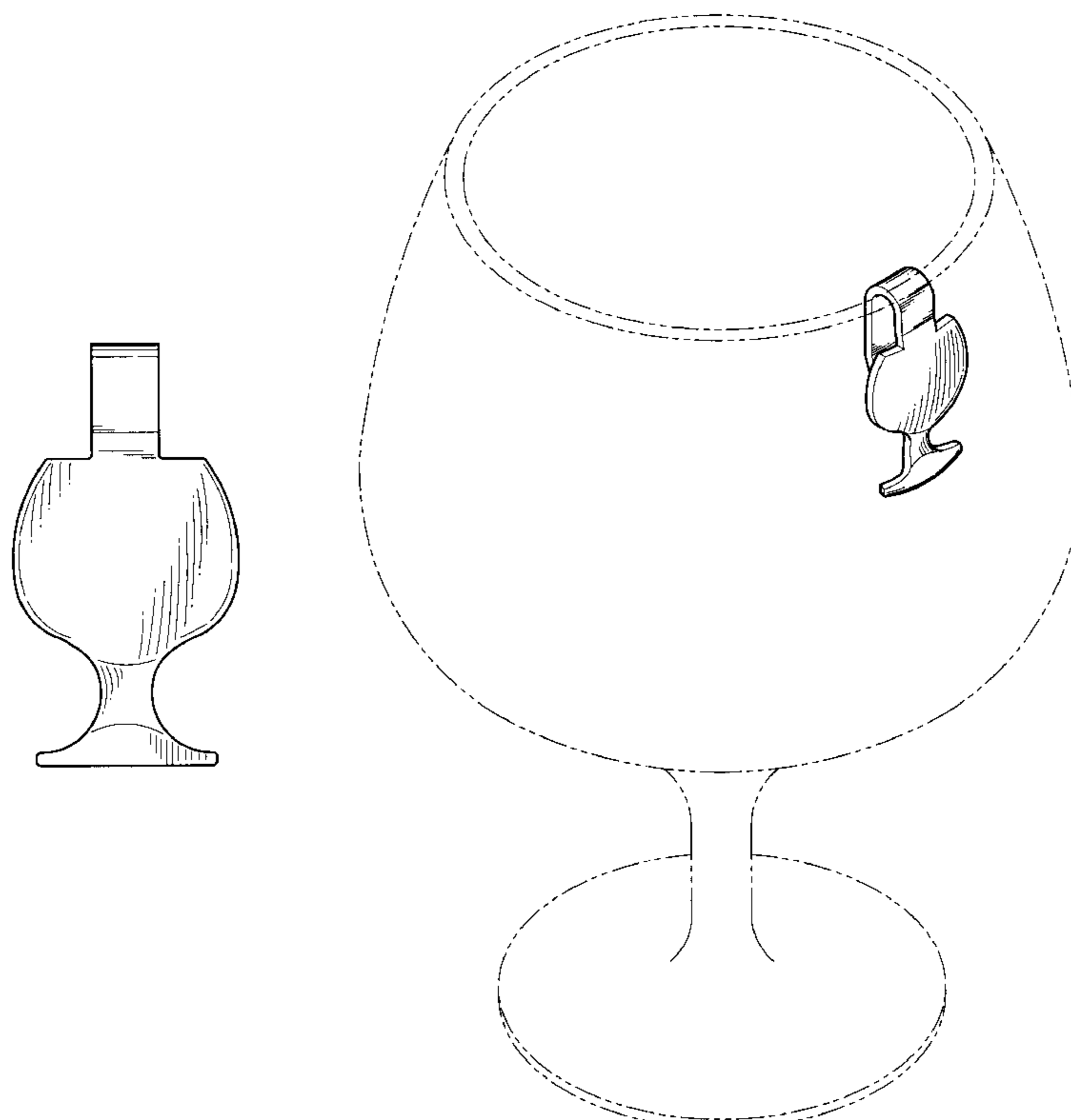
(57) **CLAIM**

The ornamental design for the wine glass clip, as shown and described.

DESCRIPTION

FIG. 1 is a front elevation of the wine glass clip;
 FIG. 2 is a left side elevation thereof;
 FIG. 3 is a right side elevation thereof;
 FIG. 4 is a top plan view thereof;
 FIG. 5 is a bottom plan view thereof;
 FIG. 6 is a rear elevation thereof;
 FIG. 7 is a perspective view thereof; and,
 FIG. 8 is showing of the wine glass clip shown in a position of use.
 The broken line showing of a wine glass in FIG. 8 is for illustrative purposes only and forms no part of the claimed design.

1 Claim, 5 Drawing Sheets



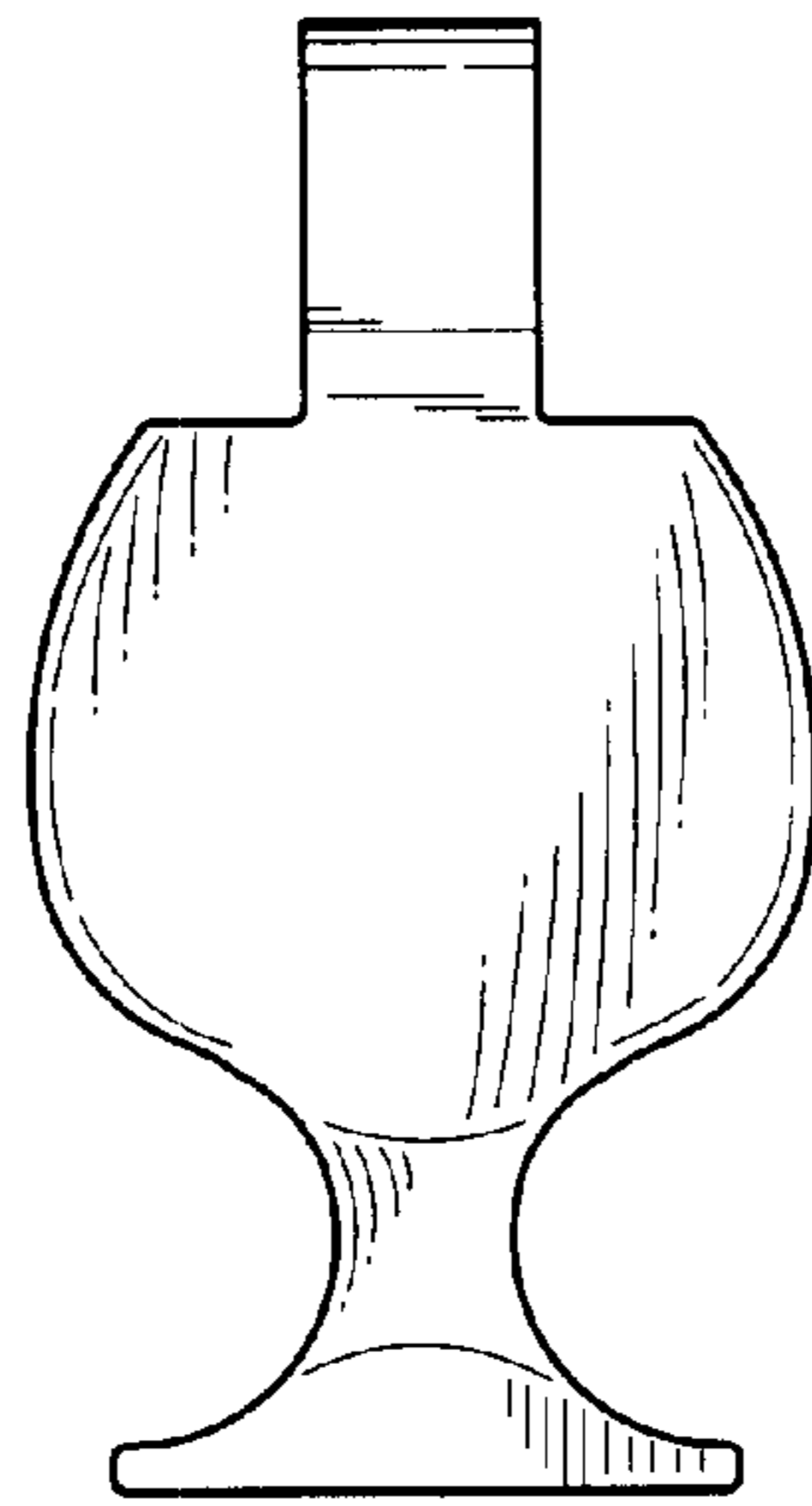


Fig. 1

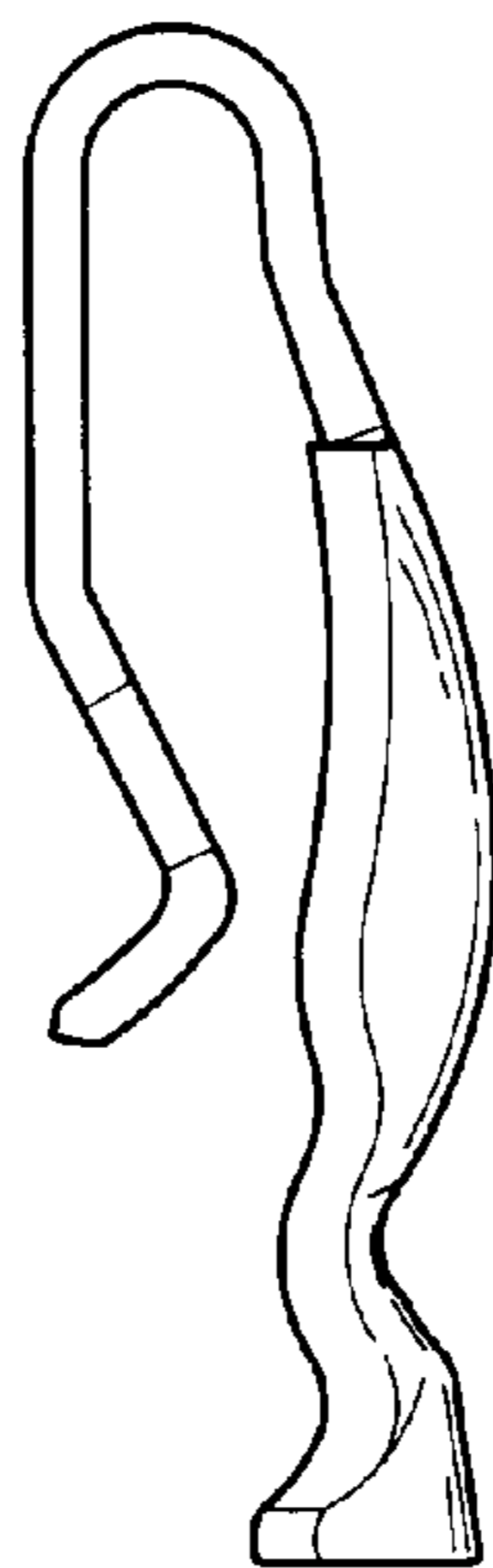


Fig. 2

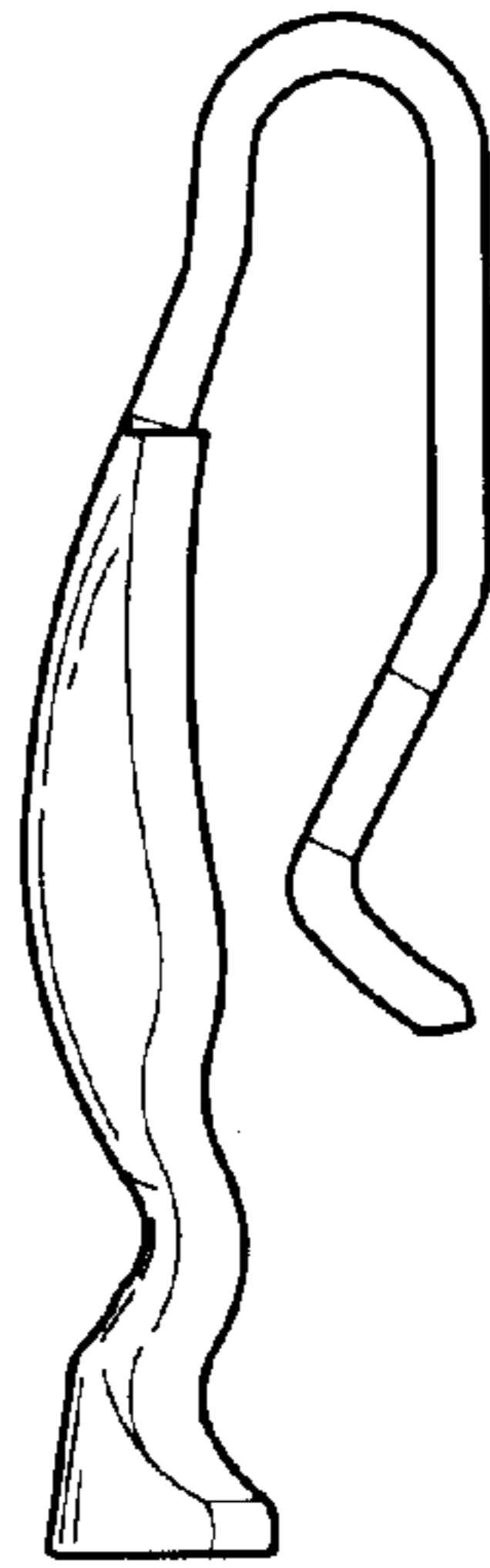


Fig. 3

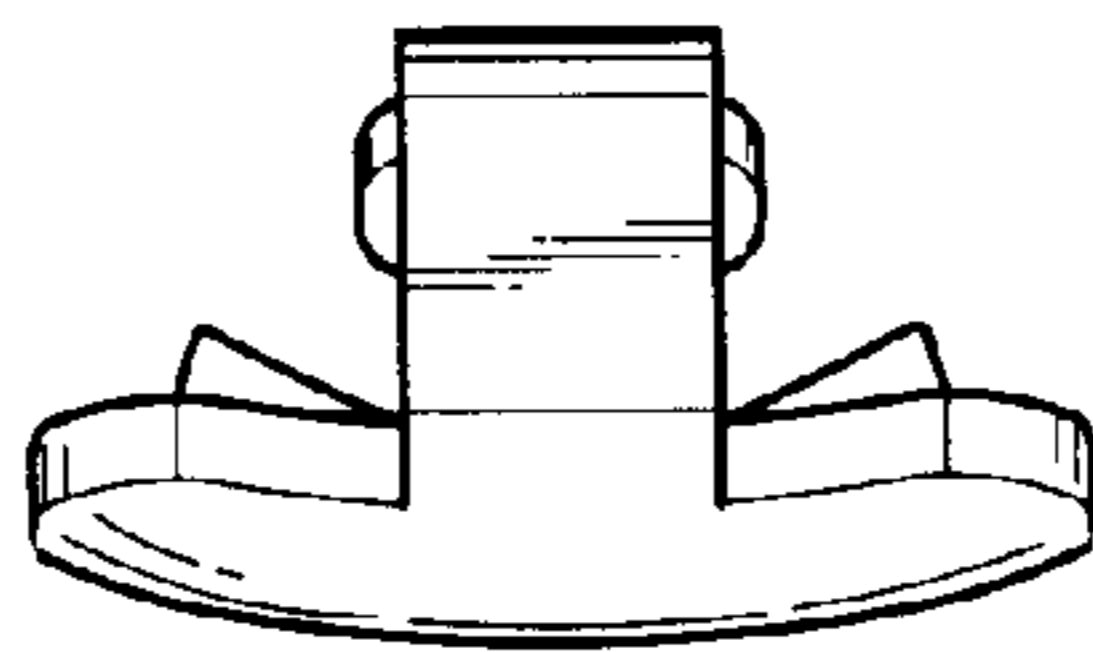


Fig. 4

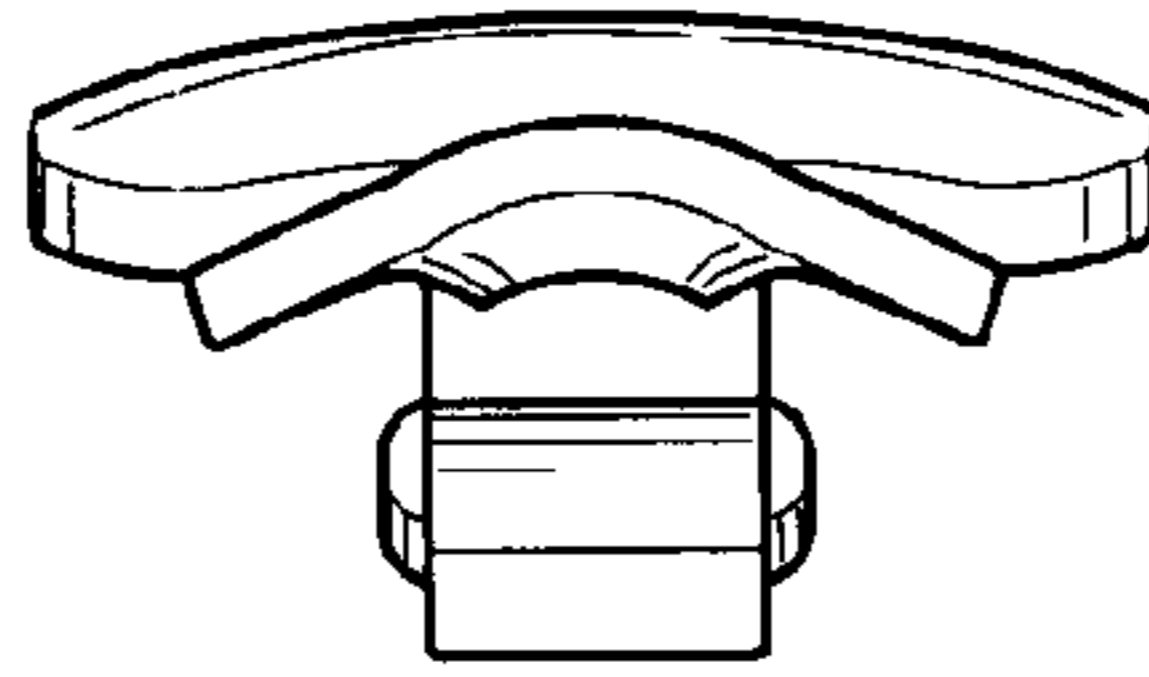


Fig. 5

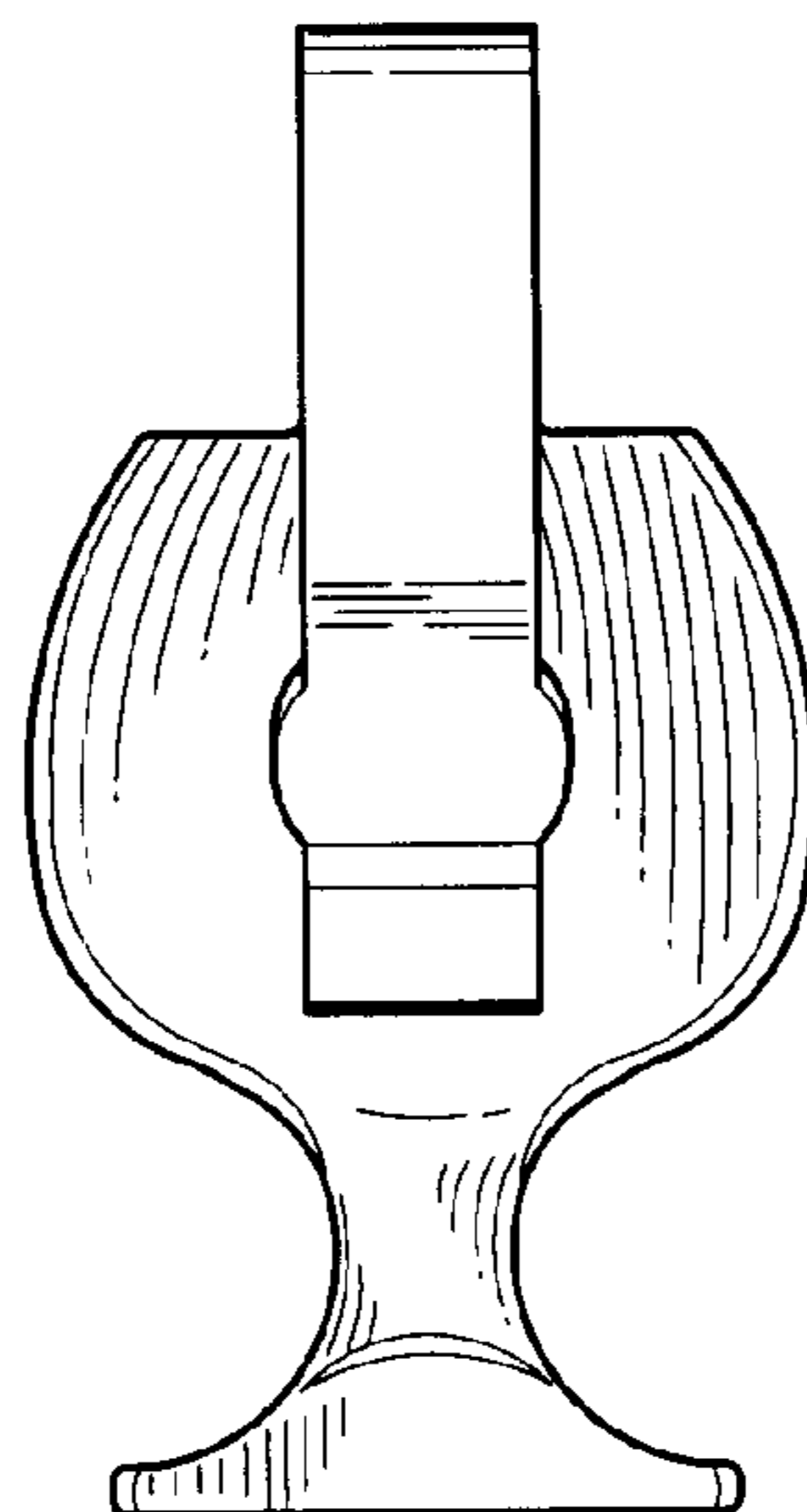


Fig. 6

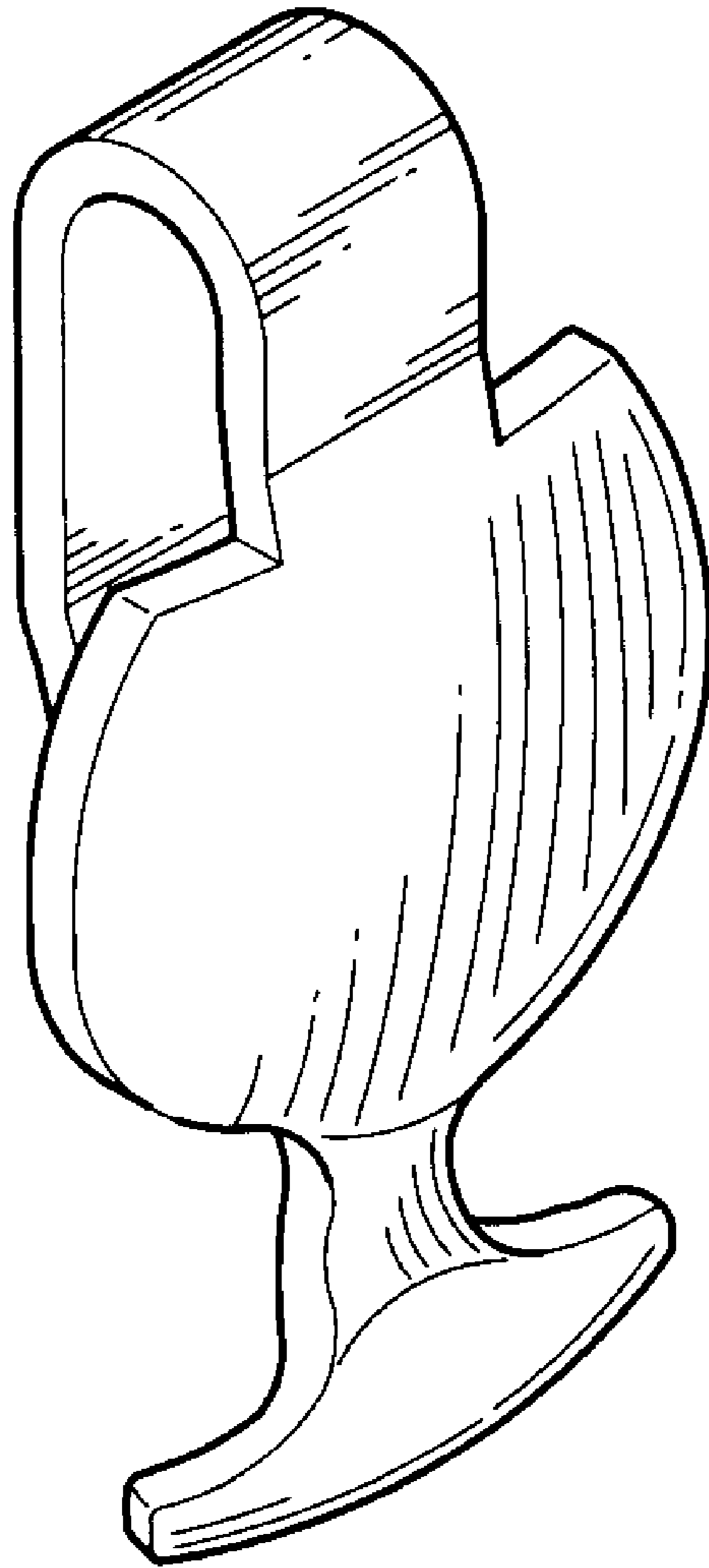


Fig. 7

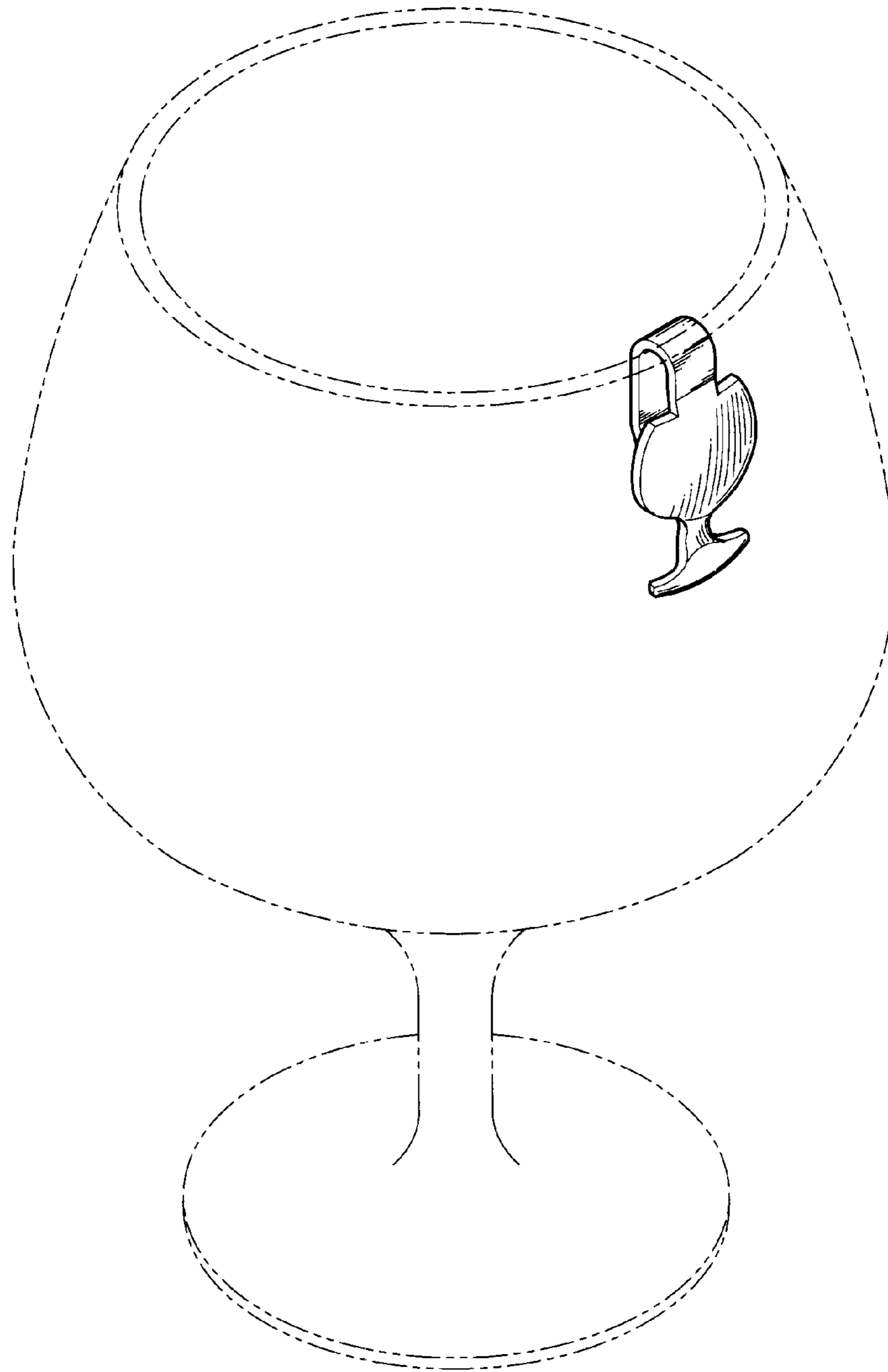


Fig. 8