



US00D498973S

(12) **United States Design Patent** (10) **Patent No.:** **US D498,973 S**
Klock et al. (45) **Date of Patent:** **** Nov. 30, 2004**

(54) **CONTAINER COVER**

2003/0116572 A1 * 6/2003 Klock et al. 220/367.1

(75) Inventors: **Paul J. Klock**, Rochester, NY (US);
David A. Vogler, Rochester, NY (US);
Emmanuel V. Tanghal, Rochester, NY (US)

(73) Assignee: **World Kitchen, Inc.**, Elmira, NY (US)

(**) Term: **14 Years**

(21) Appl. No.: **29/143,200**

(22) Filed: **Jun. 8, 2001**

(51) **LOC (7) Cl.** **07-01**

(52) **U.S. Cl.** **D7/392.1**

(58) **Field of Search** D7/323, 391-392.1,
D7/538-545, 601, 602, 629; D9/414, 424,
428, 438, 443, 454; 220/309.1, 315, 316,
366.1, 367.1, 376-378, 790-793, 804

(56) **References Cited**

U.S. PATENT DOCUMENTS

D257,933 S * 1/1981 Conti D7/392.1
D289,719 S * 5/1987 Daenen et al. D7/392.1
D309,564 S * 7/1990 Rayner D9/435
D354,655 S * 1/1995 Daenen et al. D7/392.1
D360,105 S * 7/1995 Doxey D7/391
D415,385 S * 10/1999 Loew et al. D7/392.1
D416,754 S * 11/1999 Laib D7/392.1
D445,687 S * 7/2001 Gilbertson D9/454
D446,076 S * 8/2001 Jeter et al. D7/392.1
D468,155 S * 1/2003 Klock et al. D7/392.1

OTHER PUBLICATIONS

Corningware Housewares Catalog, 1978.
Corningware Housewares Catalog, Mar. 1981, pp. 14-15.
Corningware Housewares Catalog, 1981, pp. 4-5, 10-11.
Corningware Housewares Catalog, 1982, pp. 7, 14, 15.
Corningware Housewares Catalog, 1983.
Corningware Housewares Catalog, 1991.
Corningware Housewares Catalog, 1998.
Corningware Housewares Catalog, 1999.

* cited by examiner

Primary Examiner—Caron D. Veynar

(74) *Attorney, Agent, or Firm*—Wolf, Greenfield & Sacks, P.C.

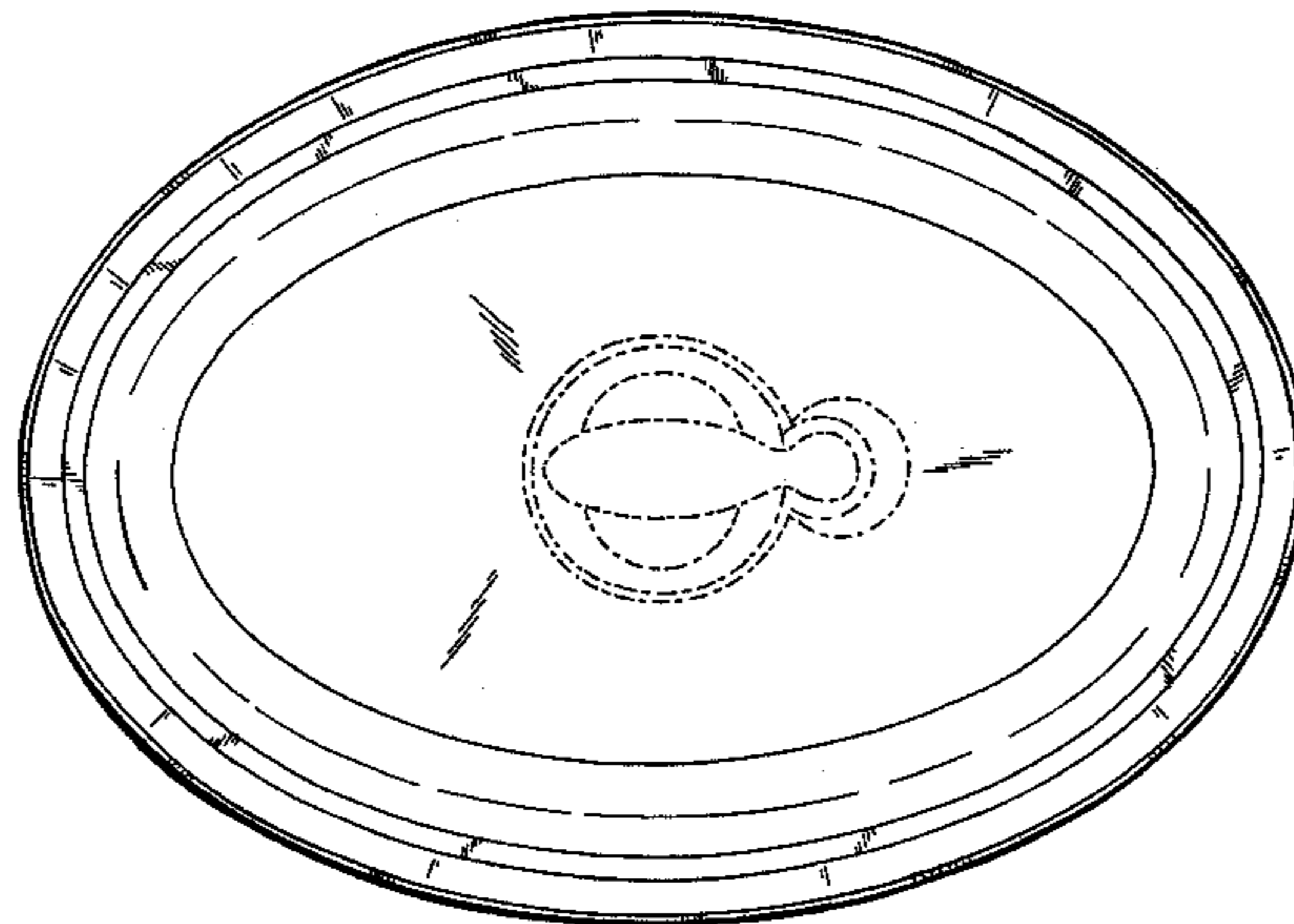
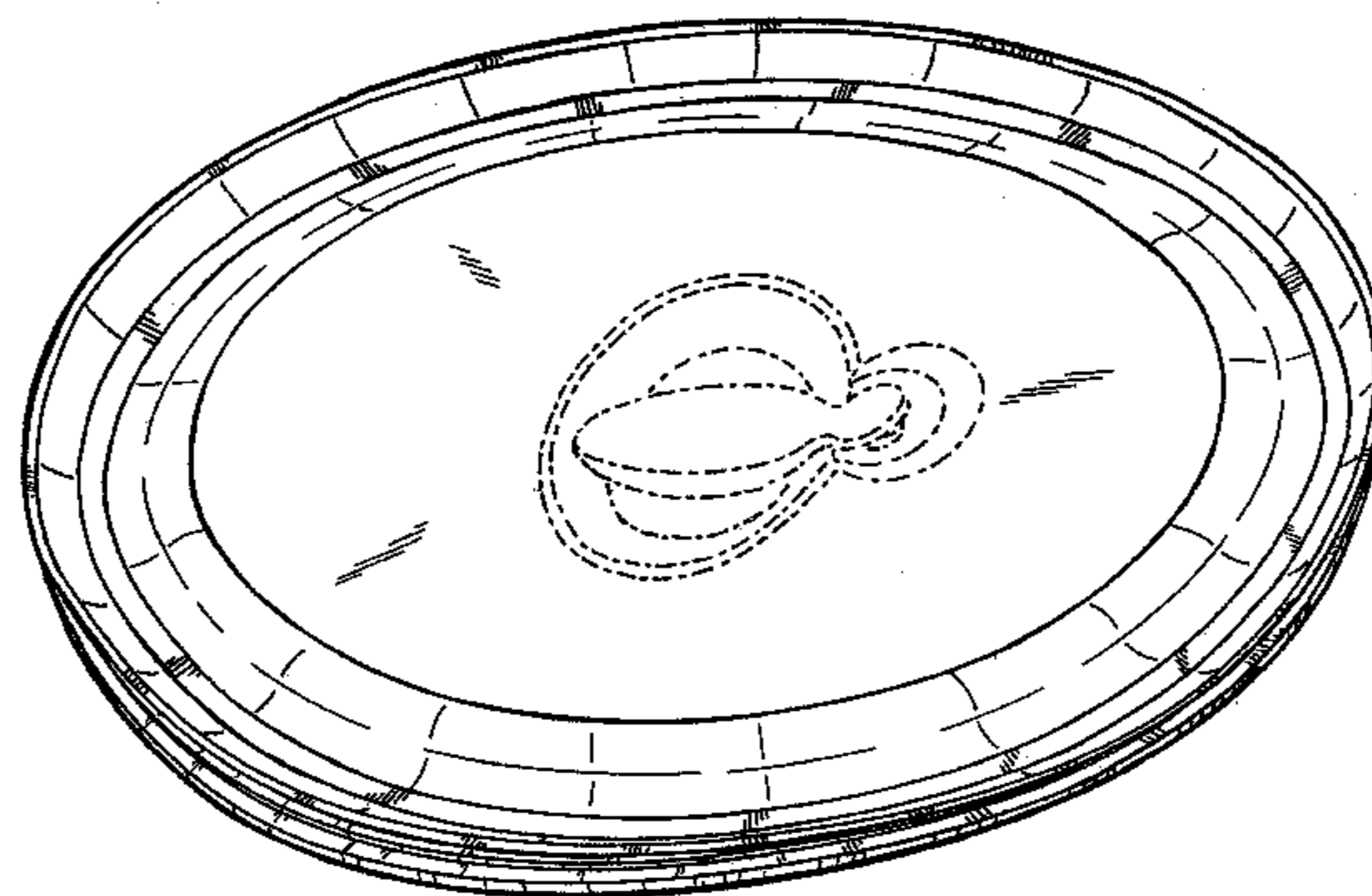
(57) **CLAIM**

The ornamental design for a container cover, as shown and described.

DESCRIPTION

FIG. 1 is a perspective view of the container cover;
FIG. 2 is a top view thereof;
FIG. 3 is a bottom view thereof;
FIG. 4 is a front view thereof;
FIG. 5 is a rear view thereof;
FIG. 6 is a left side view thereof; and,
FIG. 7 is a right side view thereof.
The broken lines shown on FIGS. 1-7 are for illustrative purposes only and form no part of the claimed design.

1 Claim, 2 Drawing Sheets



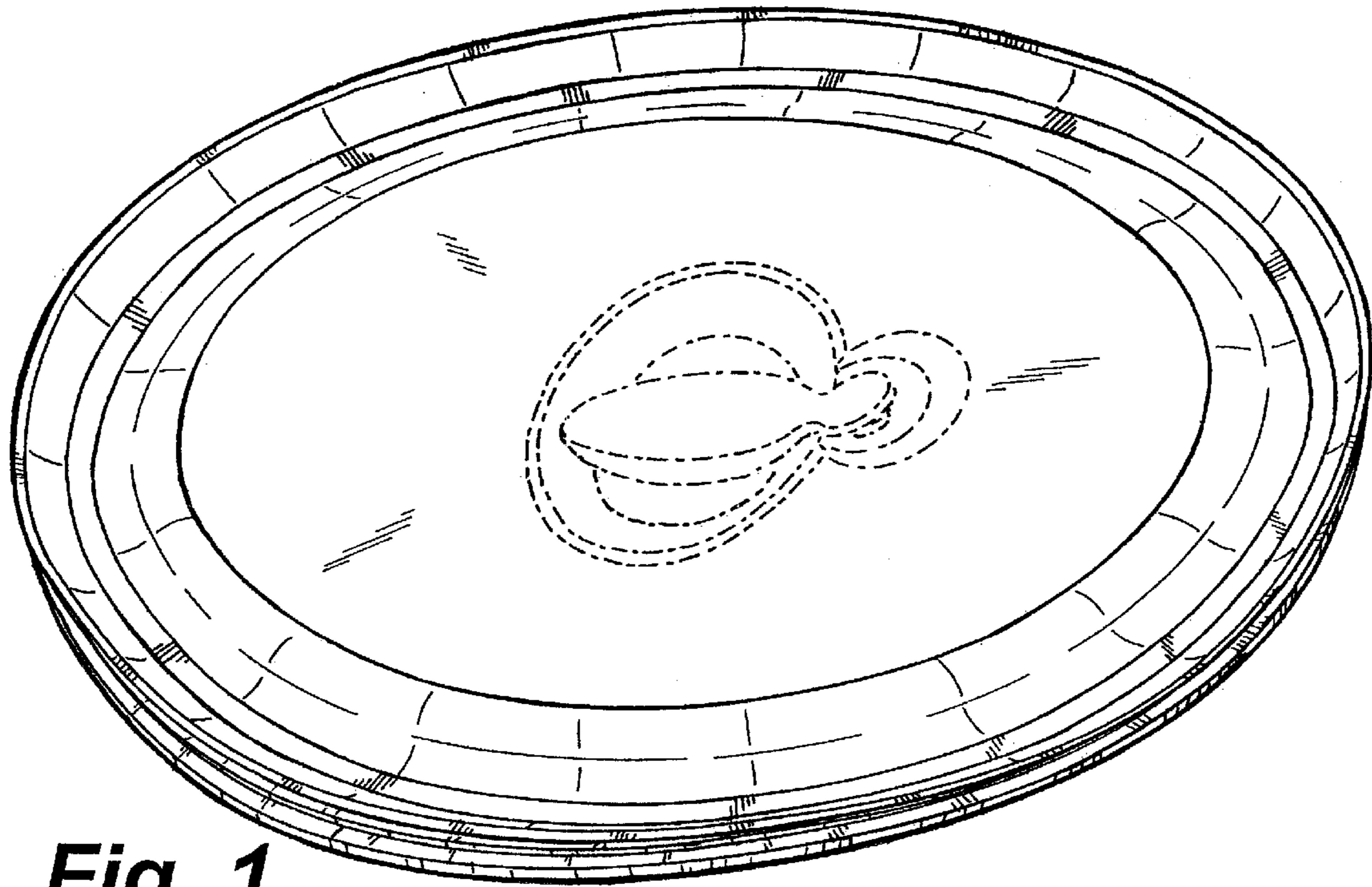


Fig. 1

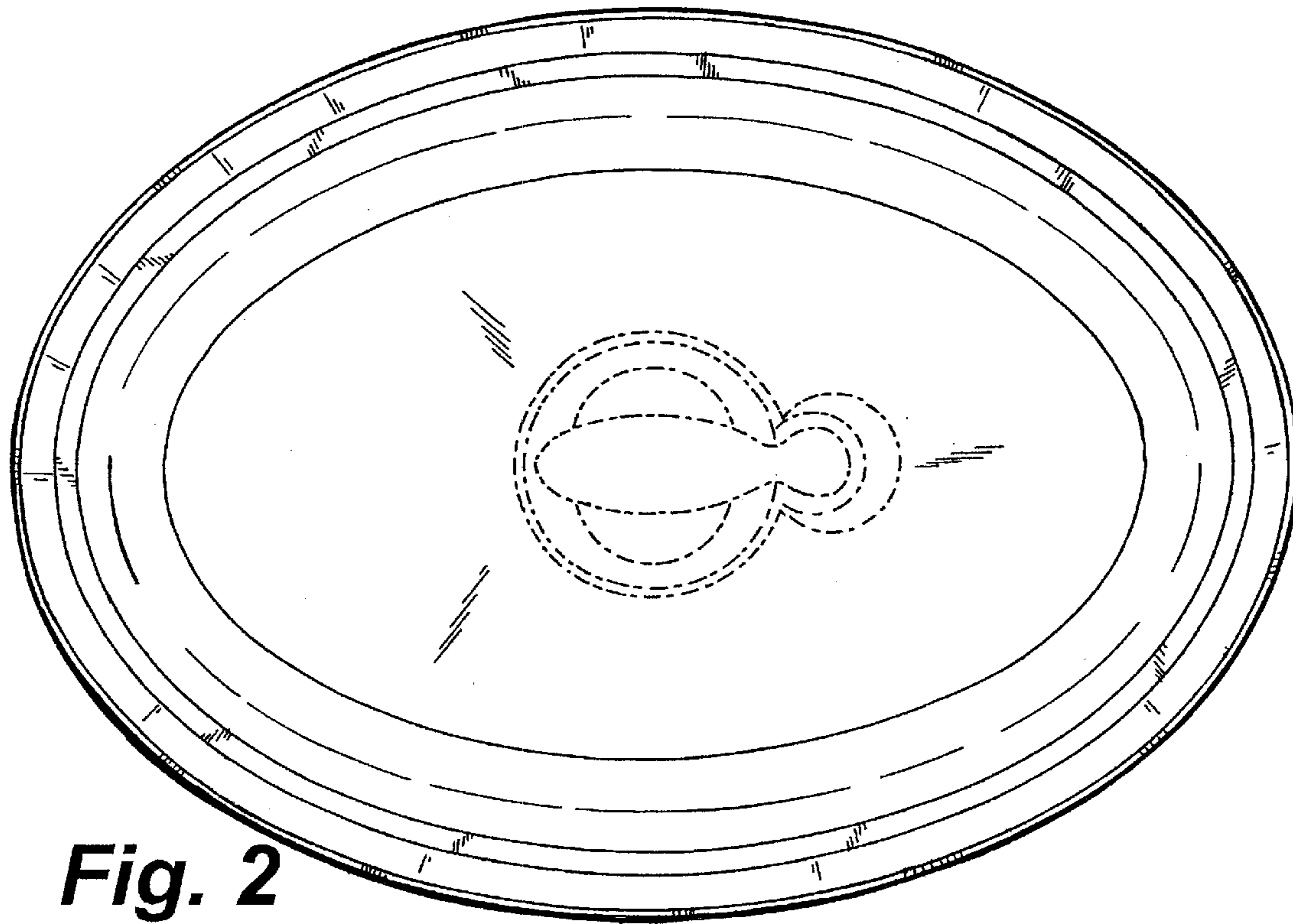


Fig. 2

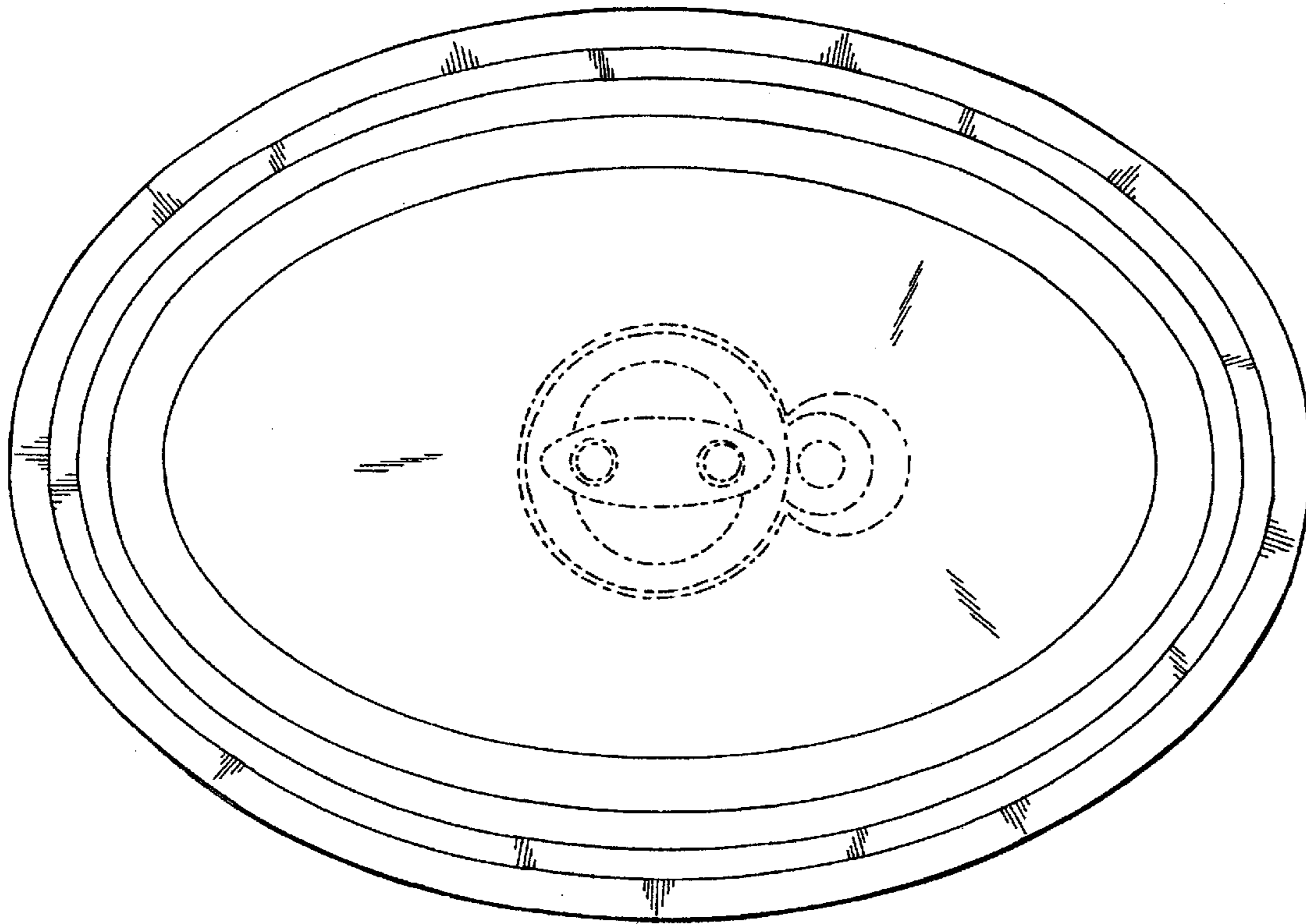


Fig. 3

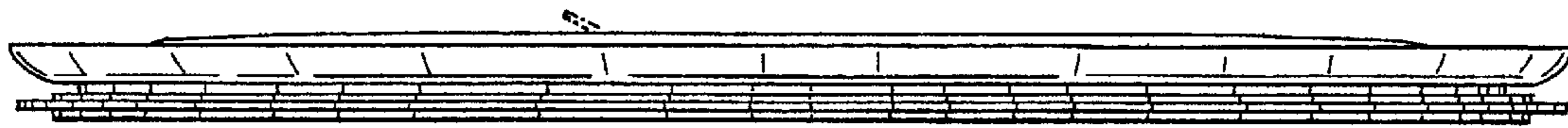


Fig. 4

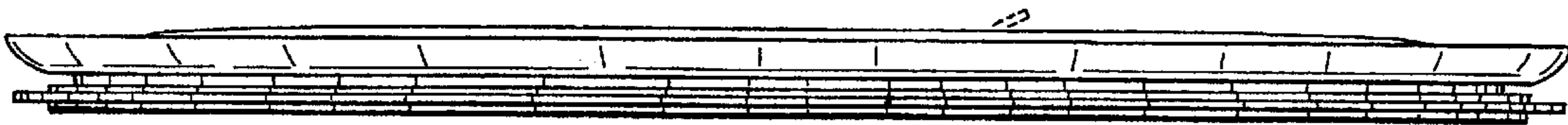


Fig. 5

Fig. 6



Fig. 7

