

US00D498971S

(12) **United States Design Patent**
Laundroche et al.

(10) **Patent No.:** **US D498,971 S**

(45) **Date of Patent:** **** Nov. 30, 2004**

(54) **COOKTOP**

6,371,105 B1 * 4/2002 Merritt 126/211
D462,866 S * 9/2002 Resuello et al. D7/346

(75) Inventors: **Kevin S. Laundroche**, Anchorage, KY
(US); **Frank Pennisi**, Louisville, KY
(US)

* cited by examiner

Primary Examiner—Catherine R. Oliver

(73) Assignee: **General Electric Company**,
Schenectady, NY (US)

(74) *Attorney, Agent, or Firm*—H. Neil Houser, Esq.;
Armstrong Teasdale LLP

(**) Term: **14 Years**

(57) **CLAIM**

We claim the ornamental design for a cooktop, as shown and described.

(21) Appl. No.: **29/196,549**

(22) Filed: **Dec. 30, 2003**

DESCRIPTION

(51) **LOC (7) Cl.** **07-02**

FIG. 1 is a top perspective view of a cooktop showing our new design.

(52) **U.S. Cl.** **D7/346**

FIG. 2 is a front elevation view of the cooktop shown in FIG. 1.

(58) **Field of Search** D7/346, 339, 340,
D7/342, 347, 402, 407-409; 126/39 B,
211, 217, 218, 214 C, 214 R, 215-216,
152 R; 219/452.12, 457.1

FIG. 3 is a right side elevation view of the cooktop shown in FIG. 1.

FIG. 4 is a left side elevation view of the cooktop shown in FIG. 1; and,

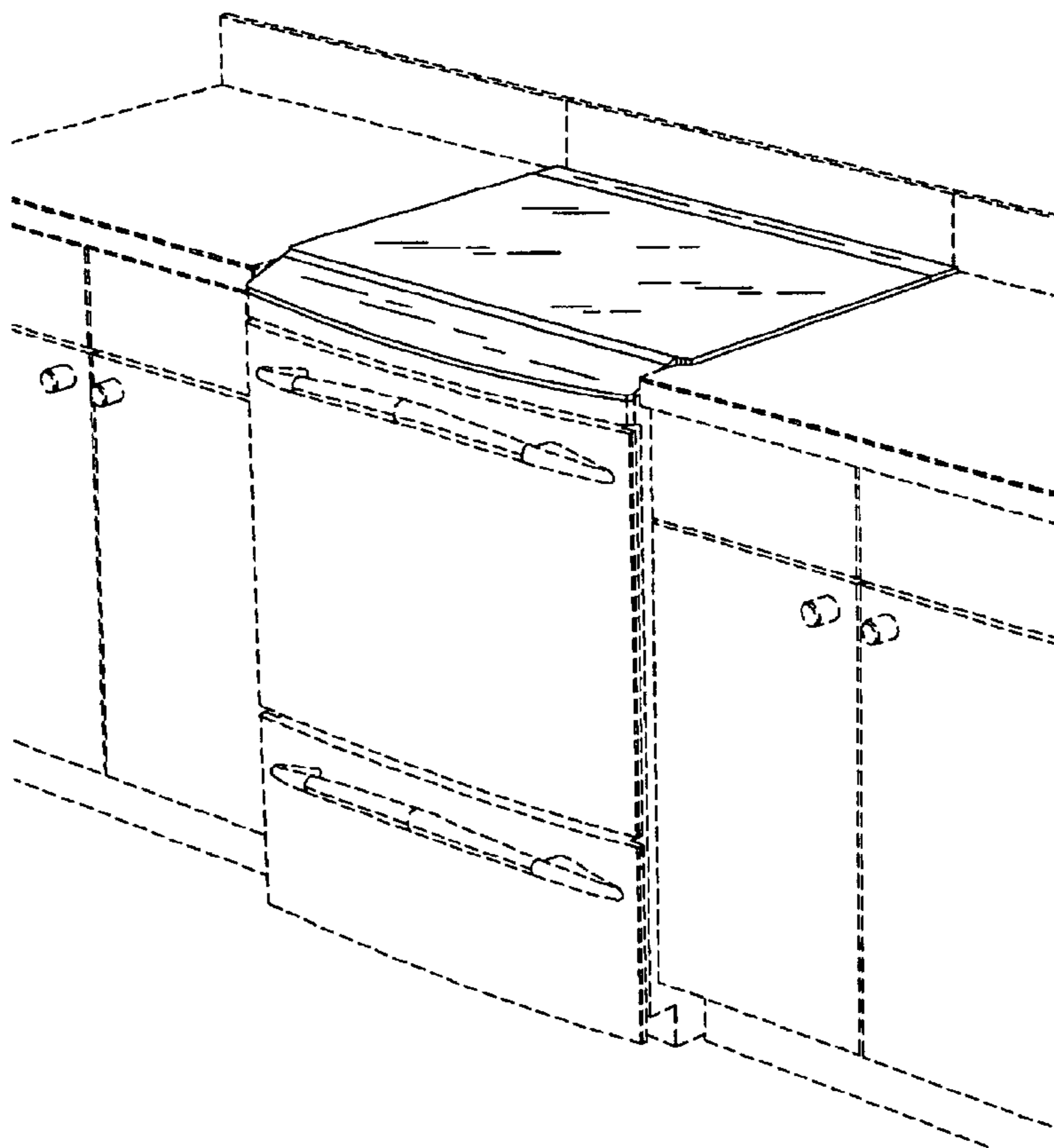
(56) **References Cited**

U.S. PATENT DOCUMENTS

D230,812 S * 3/1974 Bruce D7/346
D235,605 S * 7/1975 Shelley D7/346
D374,372 S * 10/1996 Holbrook, Jr. D7/340
6,297,482 B1 10/2001 Becker 219/445.1

FIG. 5 is a top plan view of the cooktop shown in FIG. 1. The broken line showing of environment in the drawings is for illustrative purposes only and forms no part of the claimed design.

1 Claim, 5 Drawing Sheets



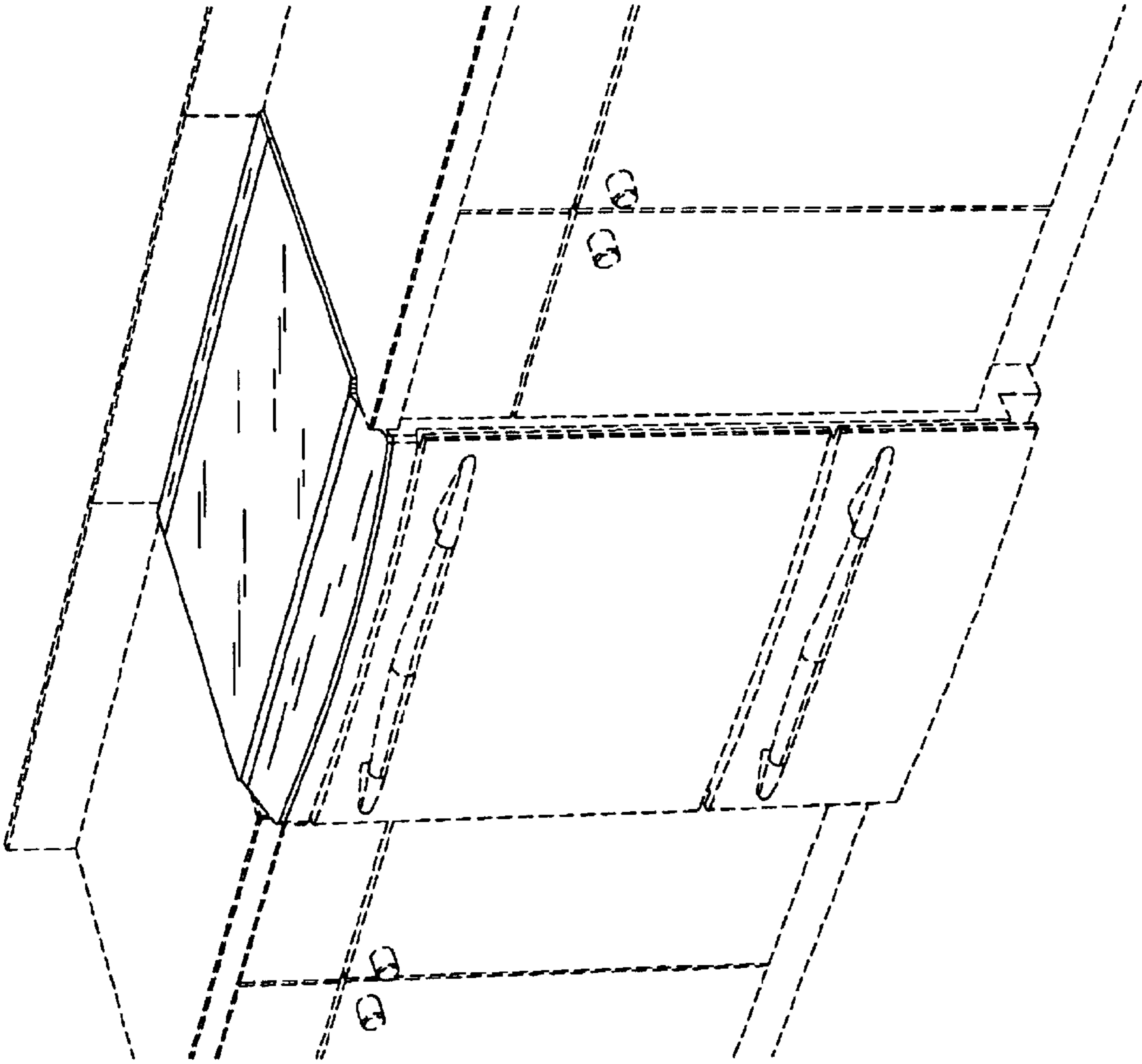


FIG. 1

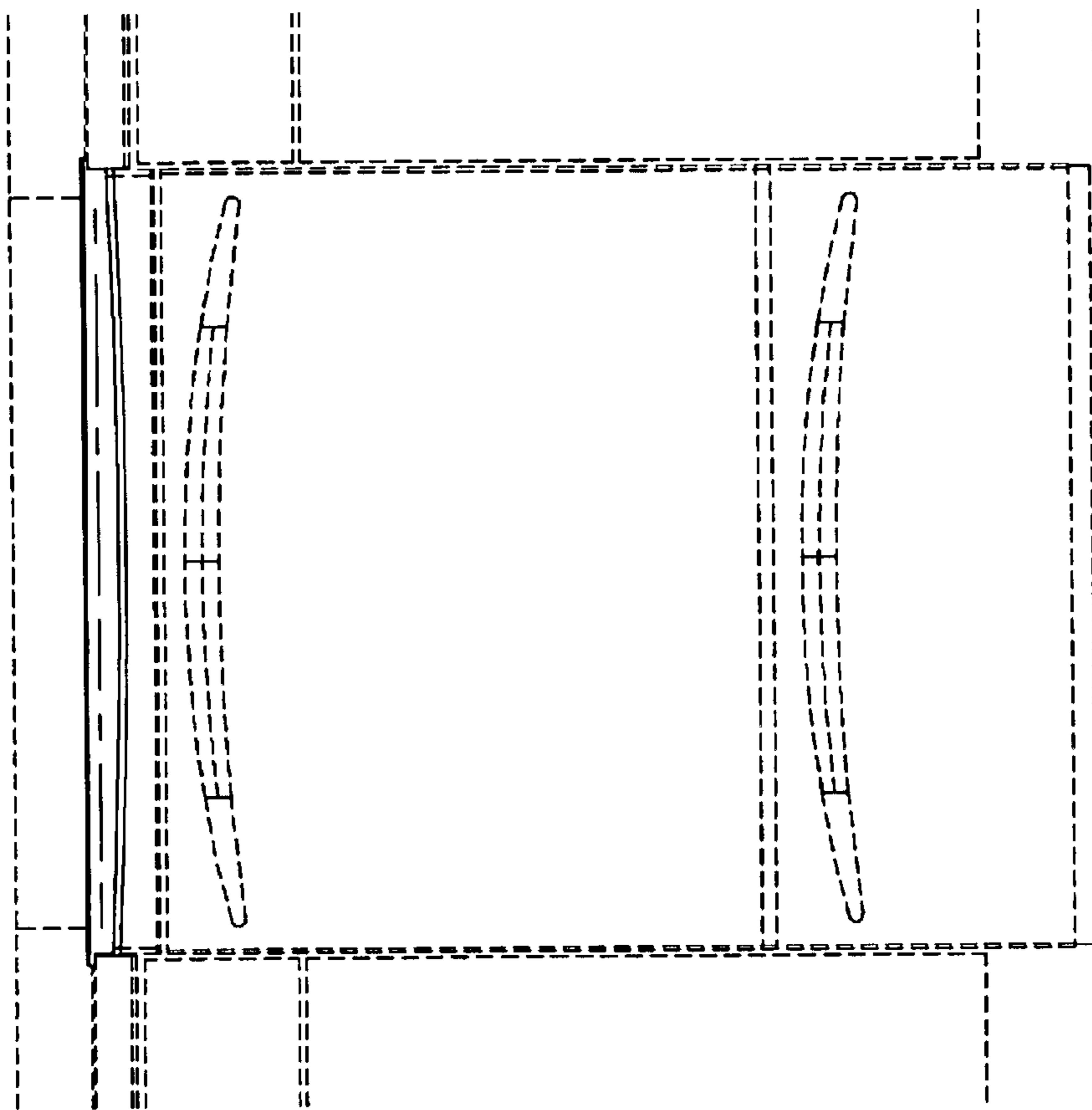


FIG. 2

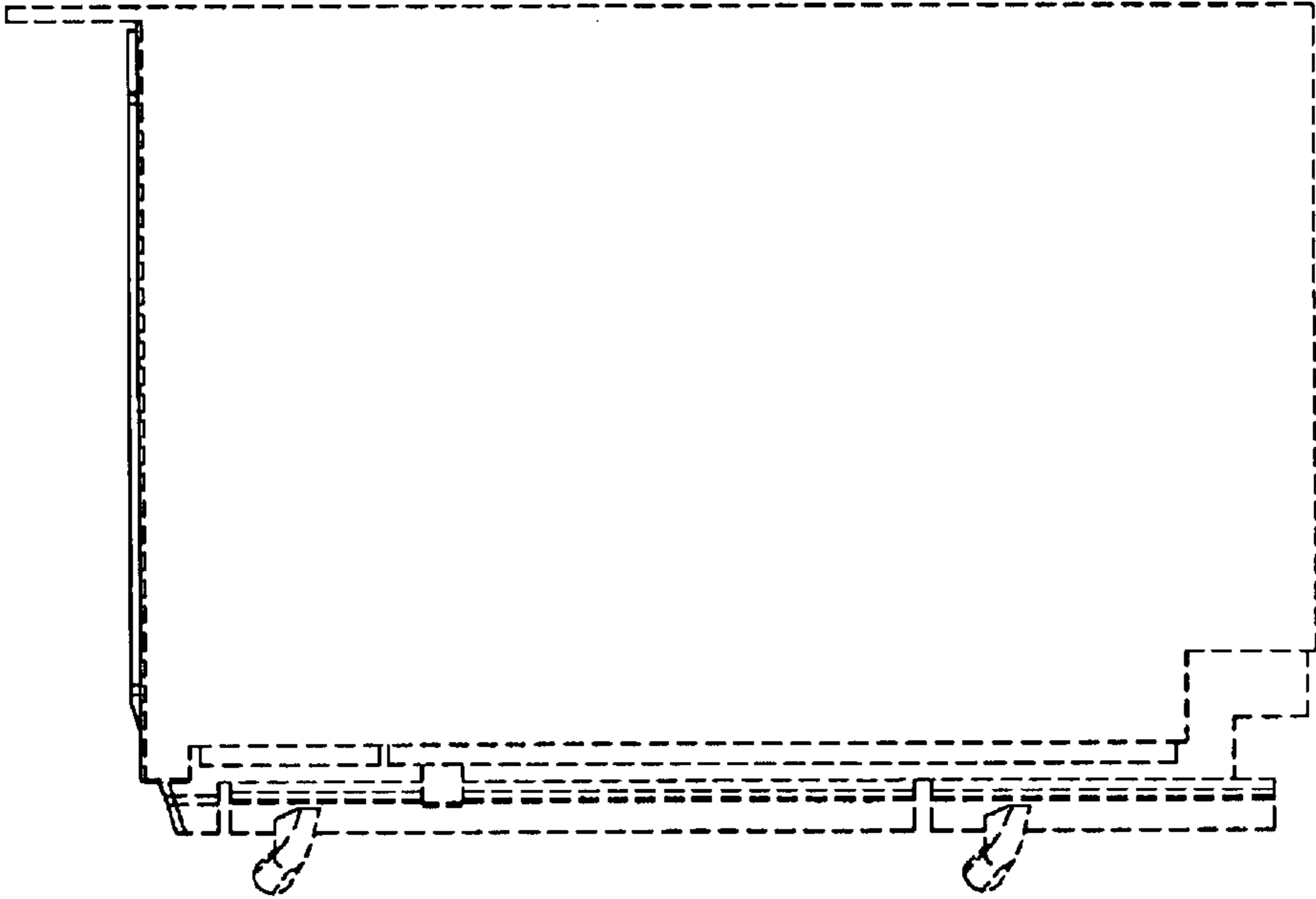


FIG. 3

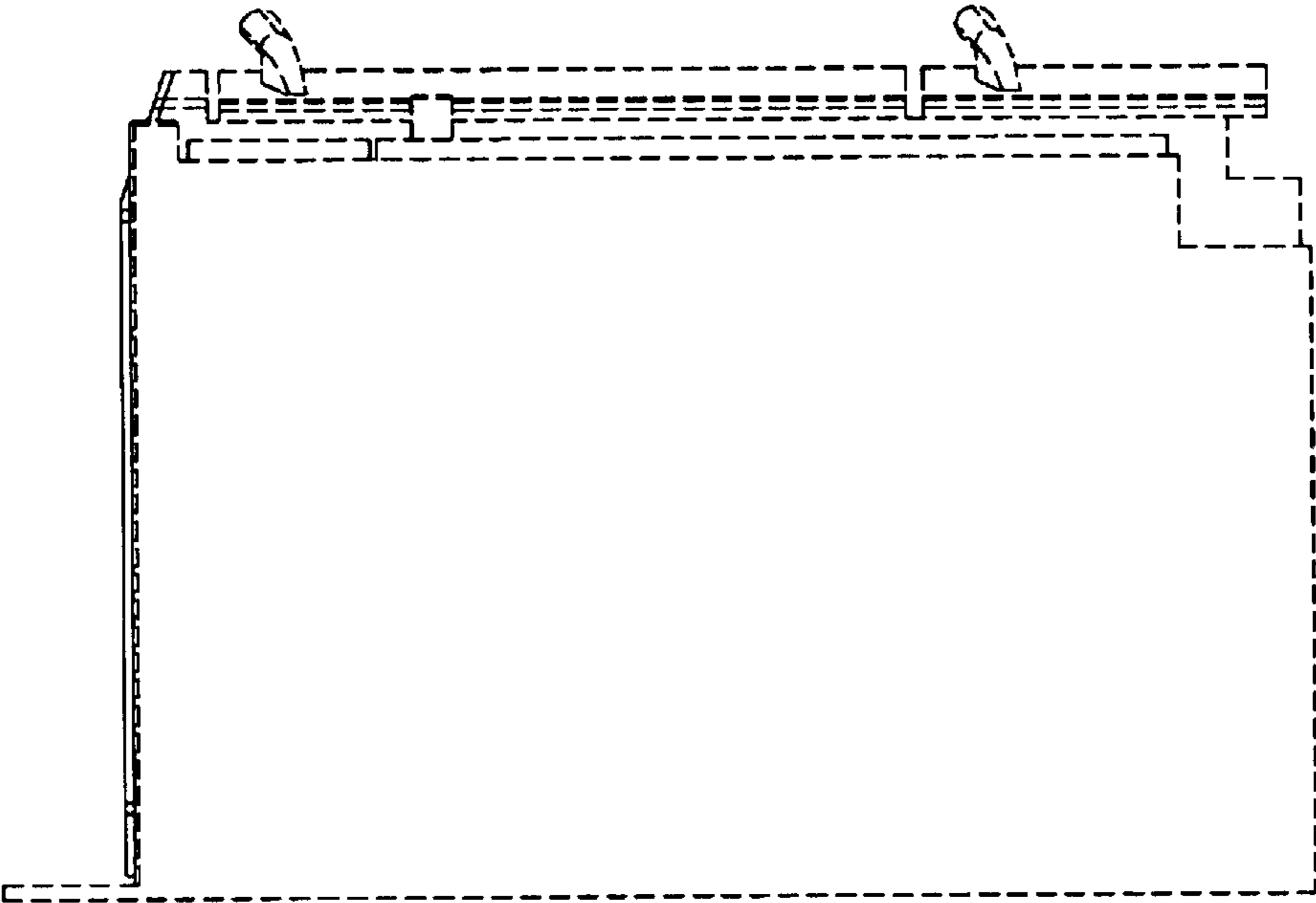


FIG. 4

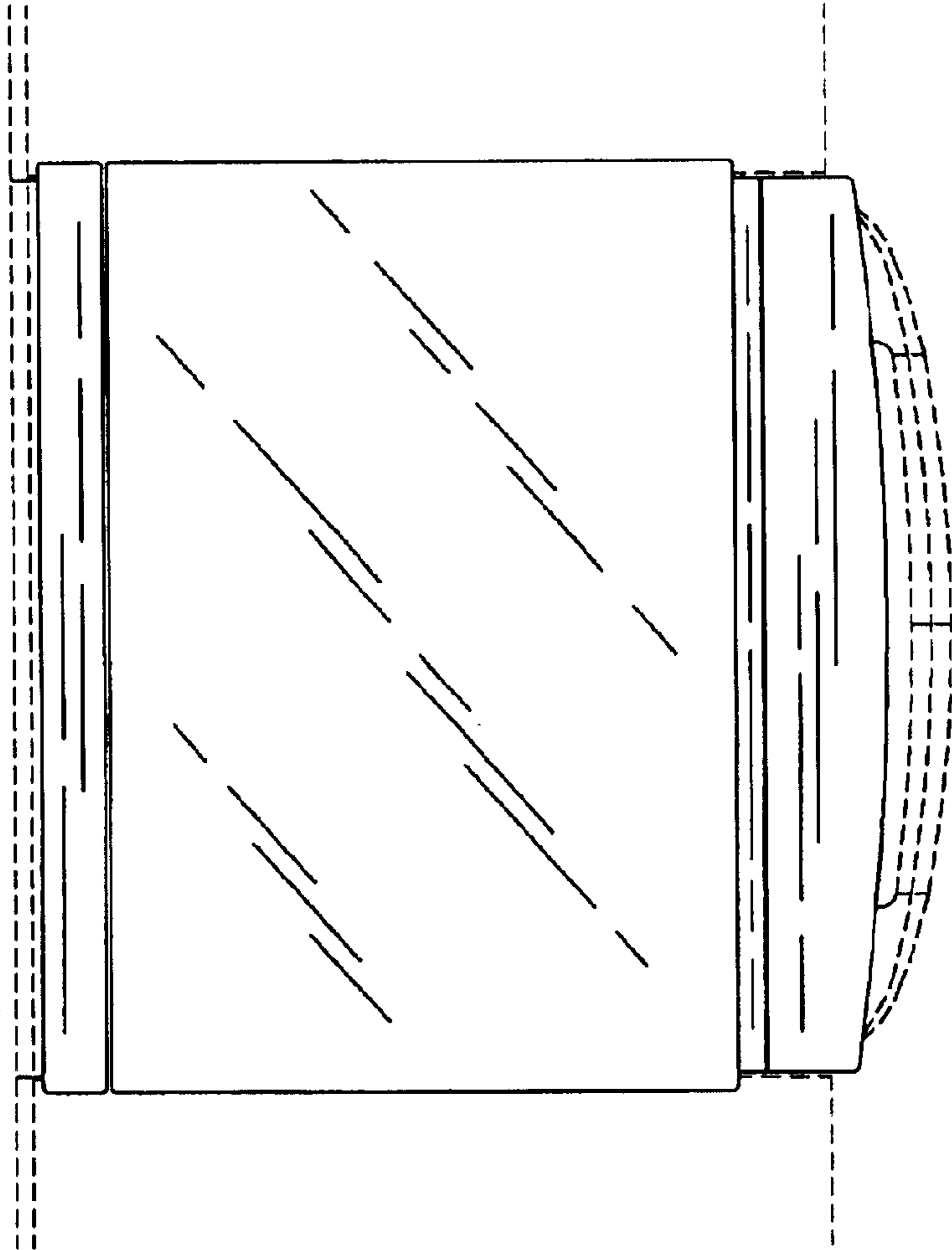


FIG. 5