

US00D498970S

(12) **United States Design Patent**
Huang

(10) **Patent No.:** **US D498,970 S**

(45) **Date of Patent:** **** Nov. 30, 2004**

(54) **KETTLE**

(76) **Inventor:** **Ta Shan Huang**, P.O. Box 63-298,
Taichung (TW), 406

(**) **Term:** **14 Years**

(21) **Appl. No.:** **29/189,584**

(22) **Filed:** **Sep. 5, 2003**

(51) **LOC (7) Cl.** **07-01**

(52) **U.S. Cl.** **D7/319; D7/316**

(58) **Field of Search** D7/300, 315, 302,
D7/316, 317, 318, 319, 606, 303, 376;
220/504; 215/398; 222/189, 465.1, 470,
566, 144.5

(56) **References Cited**

U.S. PATENT DOCUMENTS

D164,933 S	*	10/1951	Killebrew	D7/315
D286,254 S	*	10/1986	Zimmerman	D7/317
D302,925 S	*	8/1989	Zimmermann	D7/317
D322,005 S	*	12/1991	Cliff	D7/317
D343,329 S	*	1/1994	Ancona	D7/302
D427,478 S	*	7/2000	Littmann et al.	D7/318

D435,996 S	*	1/2001	Joergensen	D7/319
D451,750 S	*	12/2001	Rissone et al.	D7/319
D463,947 S	*	10/2002	Choi	D7/319
D479,780 S	*	9/2003	Passot	D7/312
D483,599 S	*	12/2003	Huang	D7/319
D483,993 S	*	12/2003	Boyle et al.	D7/413
D486,032 S	*	2/2004	Leung	D7/319

* cited by examiner

Primary Examiner—M. N. Pandozzi

(57) **CLAIM**

The ornamental design for a kettle, as shown and described.

DESCRIPTION

FIG. 1 is a perspective view of a kettle showing my new design;

FIG. 2 is a front elevational view thereof;

FIG. 3 is a rear elevational view thereof;

FIG. 4 is a top plan view thereof;

FIG. 5 is a bottom plan view thereof;

FIG. 6 is a left side elevational view thereof; and,

FIG. 7 is a right side elevational view thereof.

1 Claim, 4 Drawing Sheets





FIG. 1

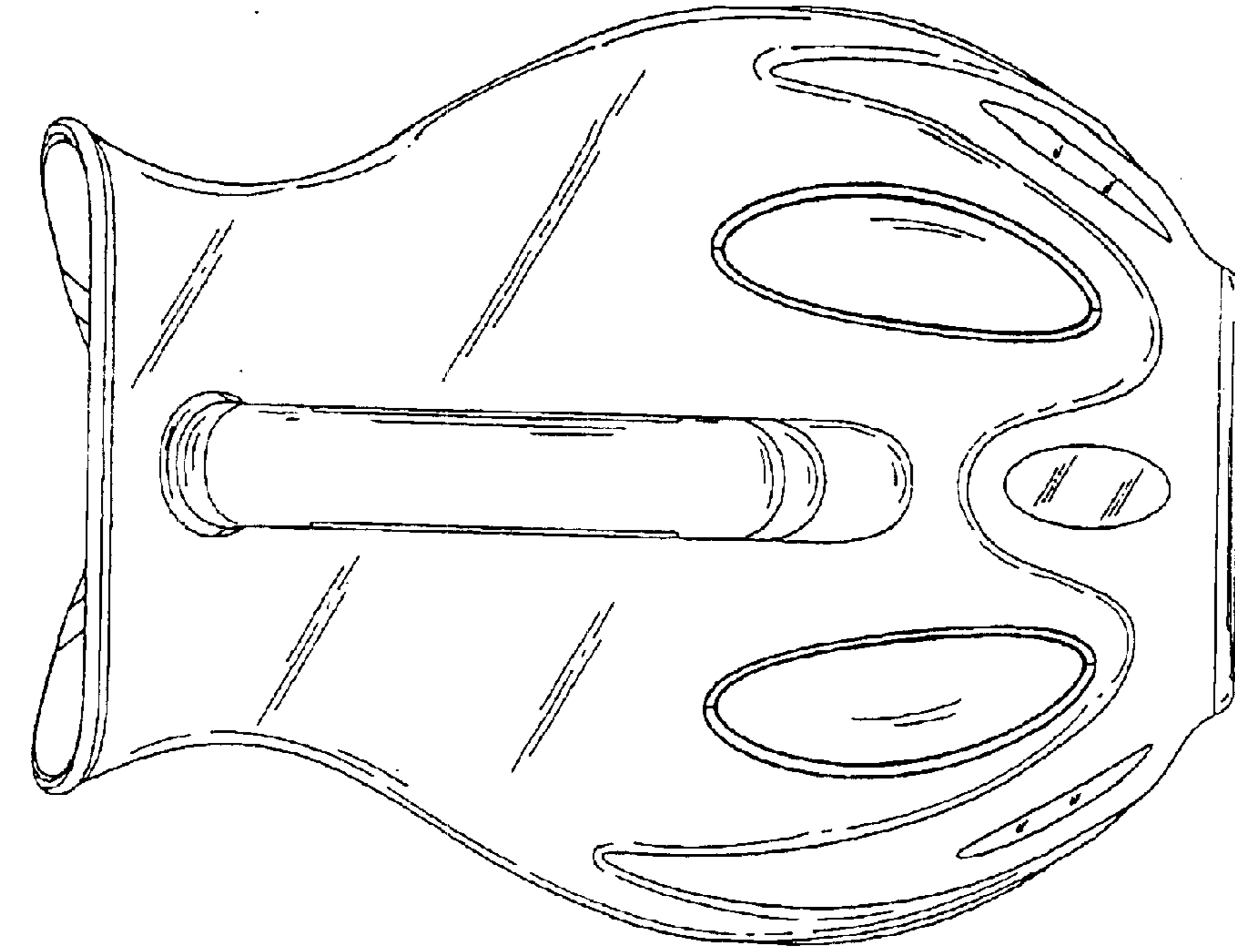


FIG. 2

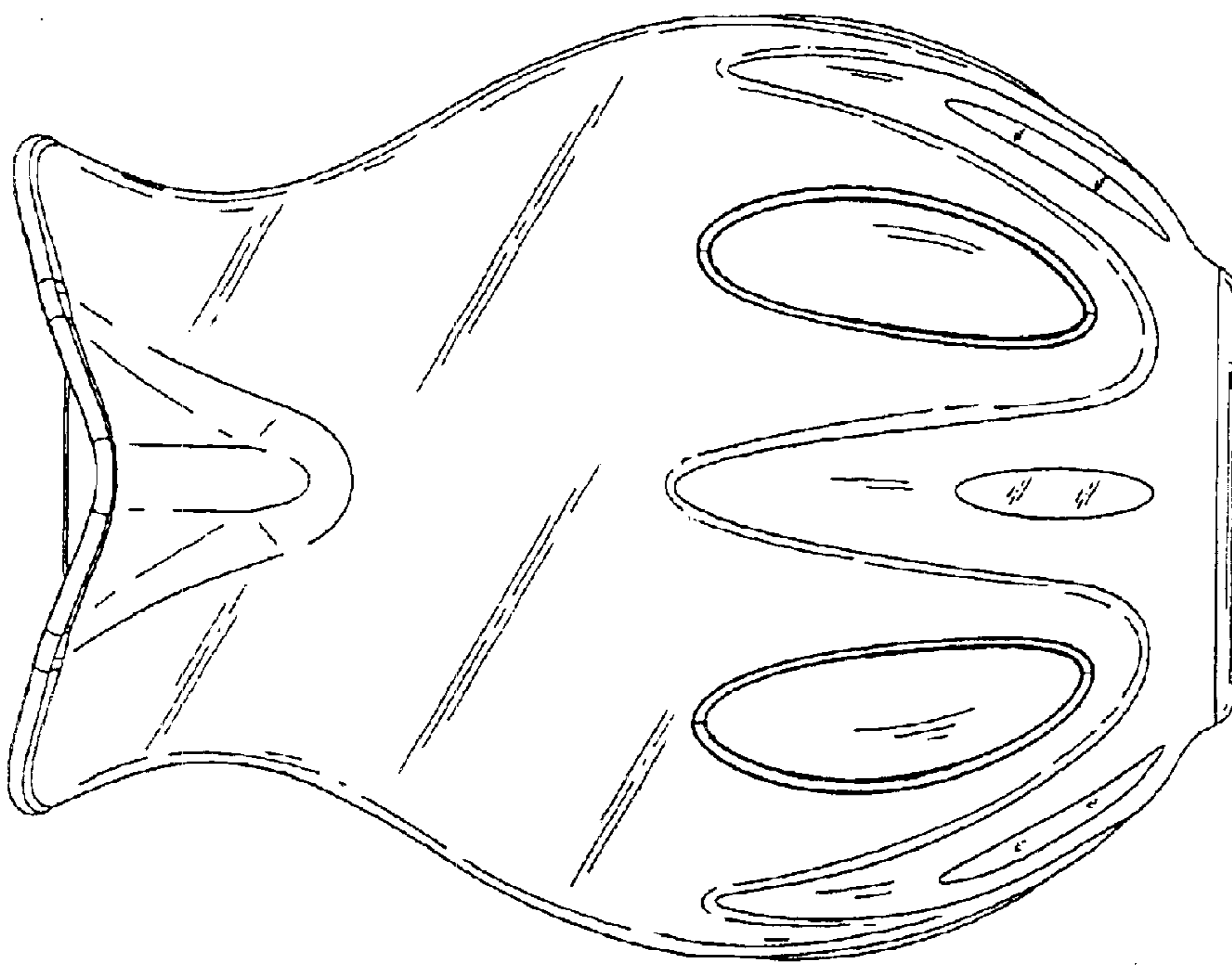


FIG. 3

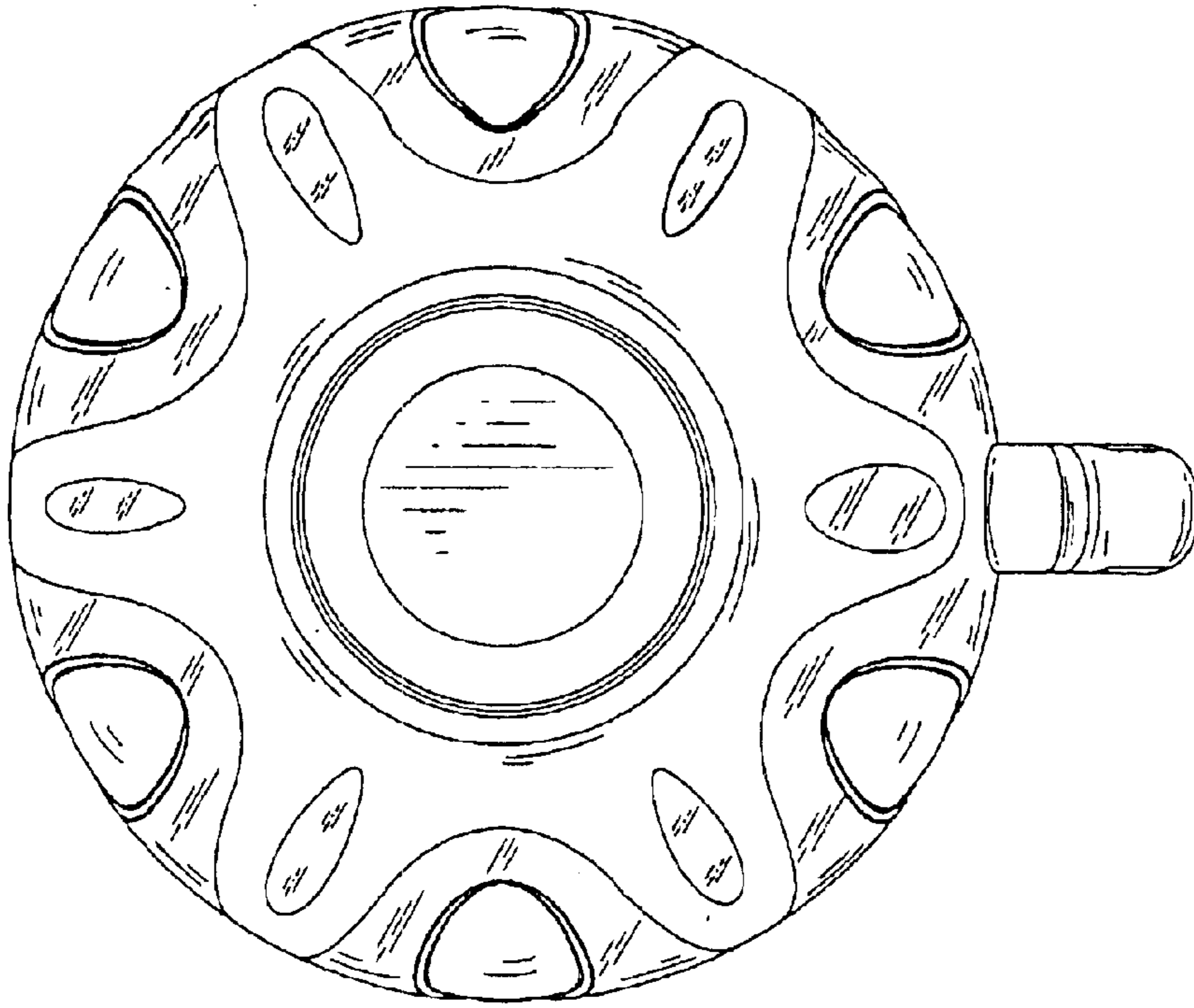


FIG. 5

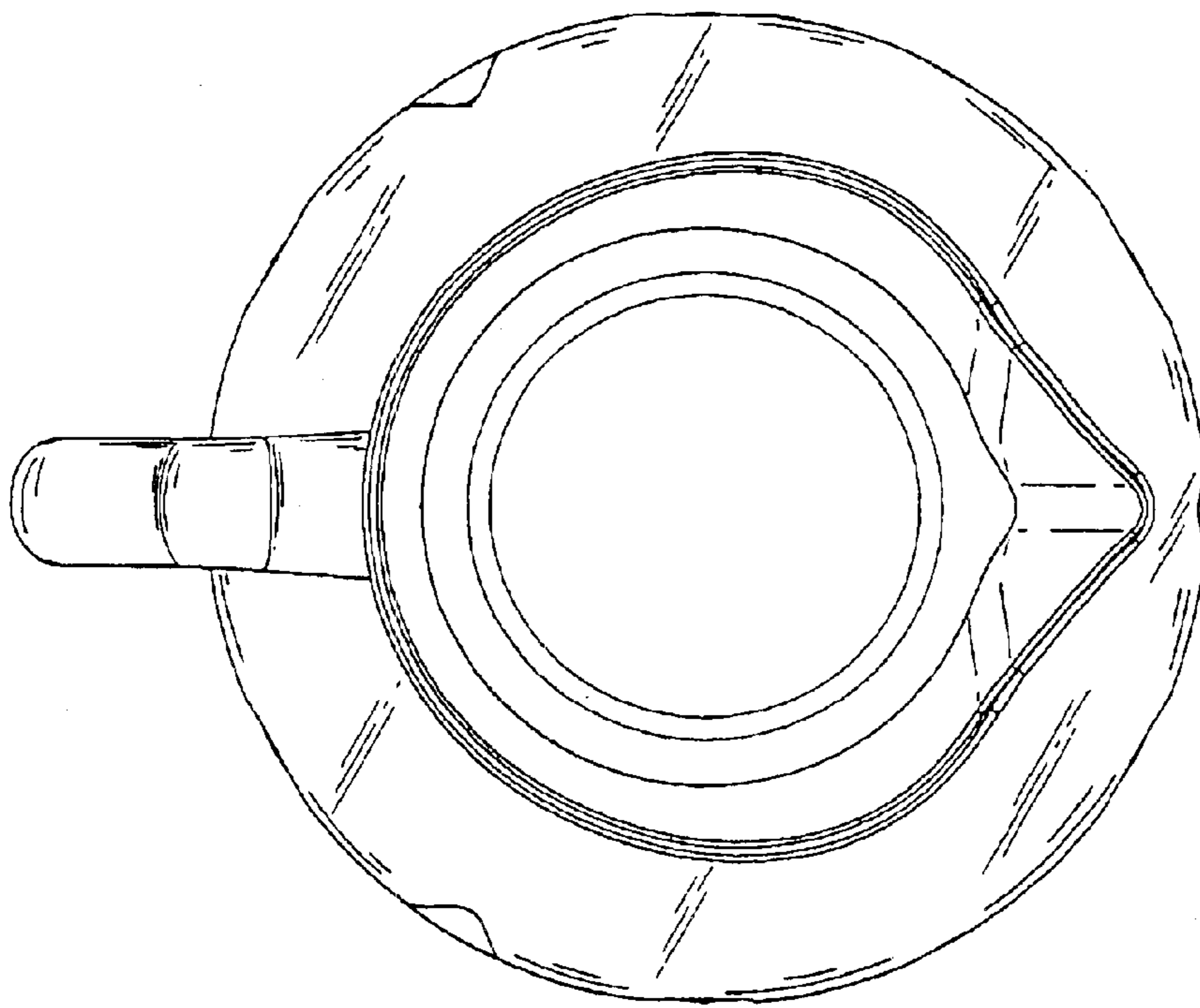


FIG. 4

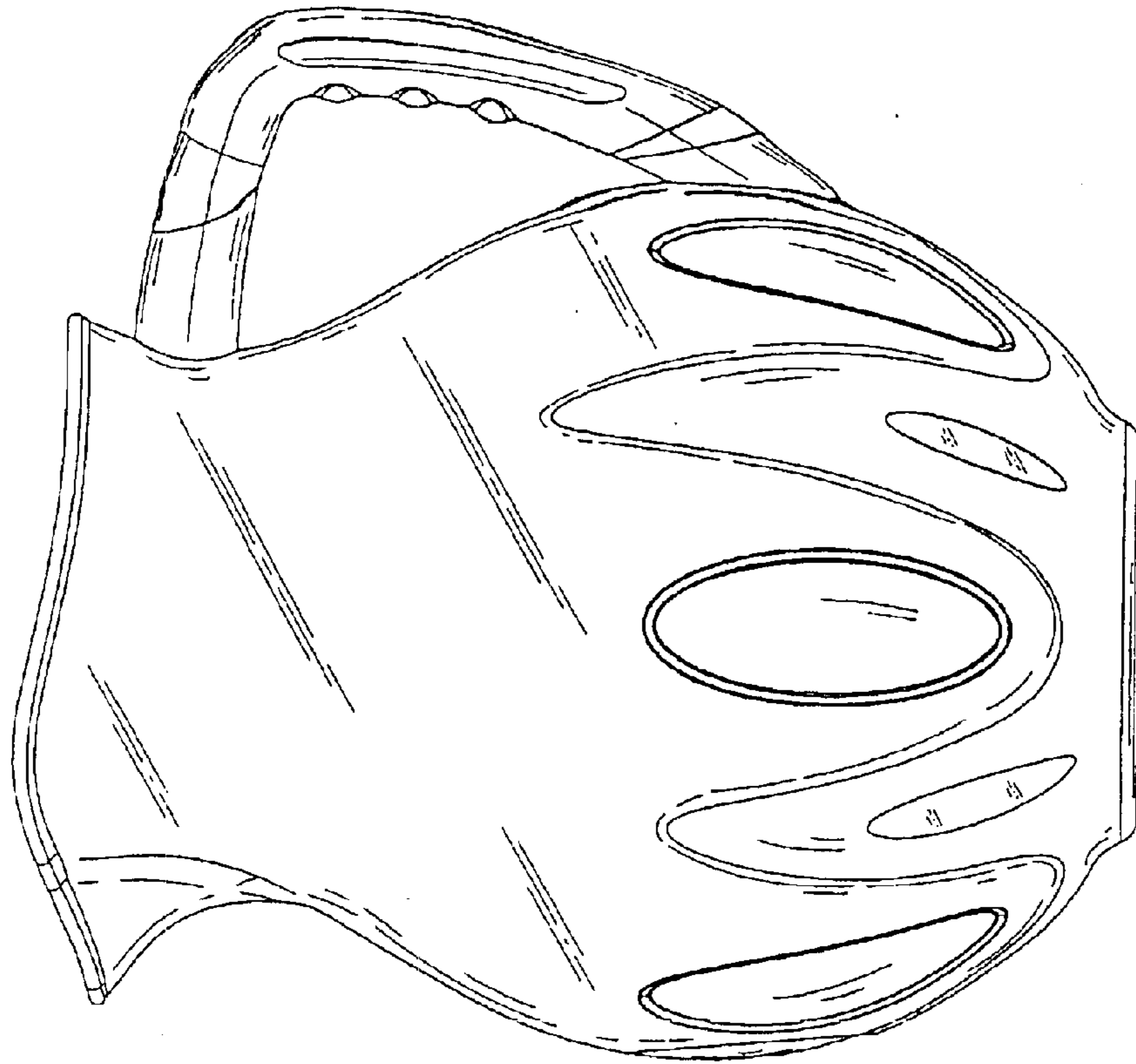


FIG. 7

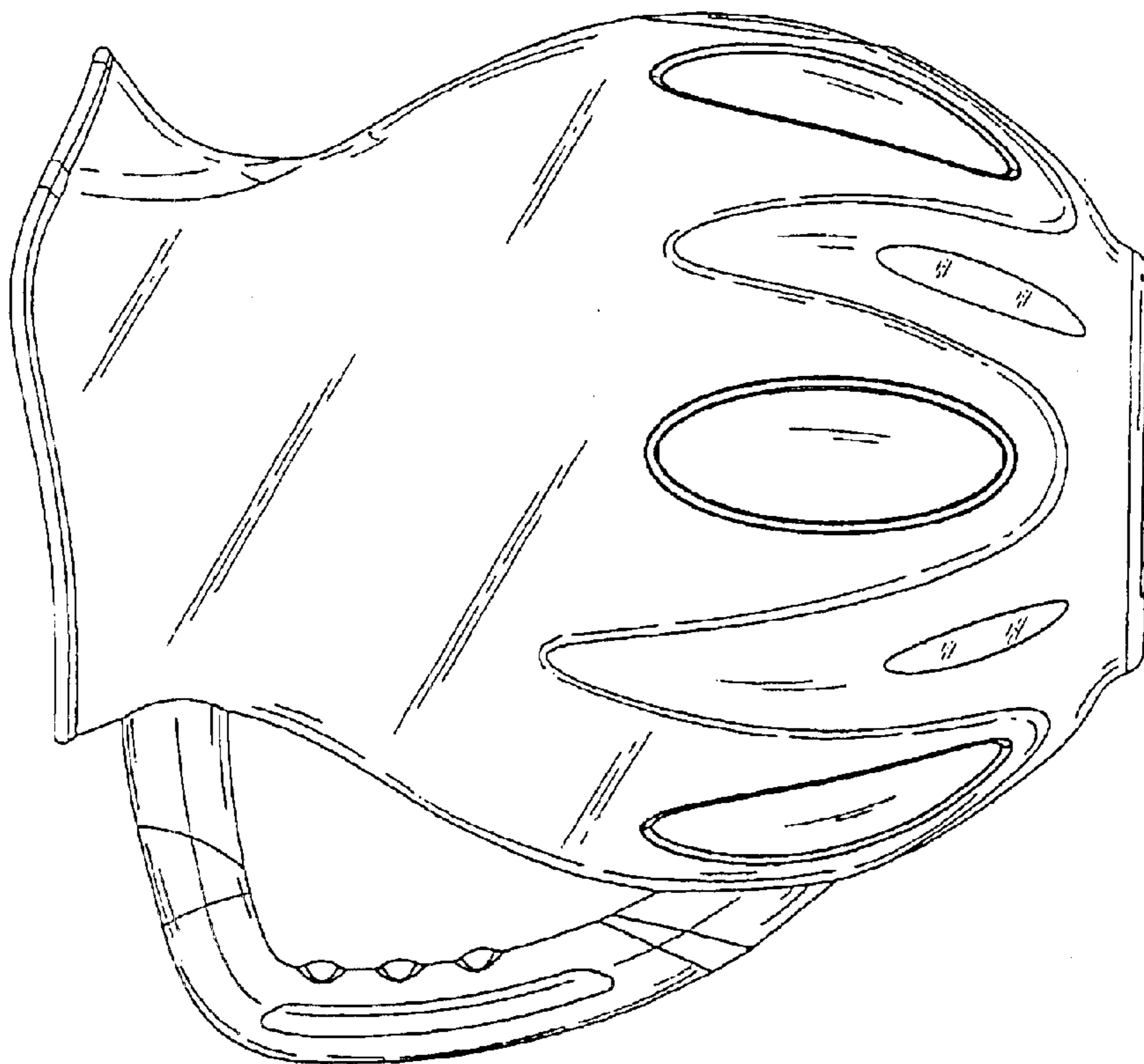


FIG. 6