

US00D498962S

(12) **United States Design Patent**
Moon et al.

(10) **Patent No.: US D498,962 S**

(45) **Date of Patent: ** Nov. 30, 2004**

(54) **SPORTS ORGANIZER**

(75) Inventors: **Brian Moon**, Dekalb, IL (US);
Torrence Anderson, Overland Park, KS (US)

(73) Assignee: **Suncast Corporation**, Batavia, IL (US)

(**) Term: **14 Years**

(21) Appl. No.: **29/202,961**

(22) Filed: **Apr. 6, 2004**

(51) **LOC (7) Cl. 08-08**

(52) **U.S. Cl. D6/552**

(58) **Field of Search** D6/552, 329, 396,
D6/449, 458, 462; D21/796; 206/579, 315.2,
315.3, 315.7; 211/13.1, 70.2, 70.5, 181.1,
182, 85.7; 248/309.1

(56) **References Cited**

U.S. PATENT DOCUMENTS

- D364,063 S * 11/1995 Lo D6/552
- D365,716 S * 1/1996 Rose, Sr. D6/552
- D380,637 S * 7/1997 Funk D6/552

- D381,541 S * 7/1997 Allendorph D6/552
- D429,094 S * 8/2000 Solowiej D6/552
- 6,478,169 B2 * 11/2002 Krusell D6/552
- D476,183 S * 6/2003 Bennett D6/552
- 6,752,278 B2 * 6/2004 Craft et al. D6/552

* cited by examiner

Primary Examiner—Brian N Vinson

(74) *Attorney, Agent, or Firm*—McHale & Slavin, P.A.

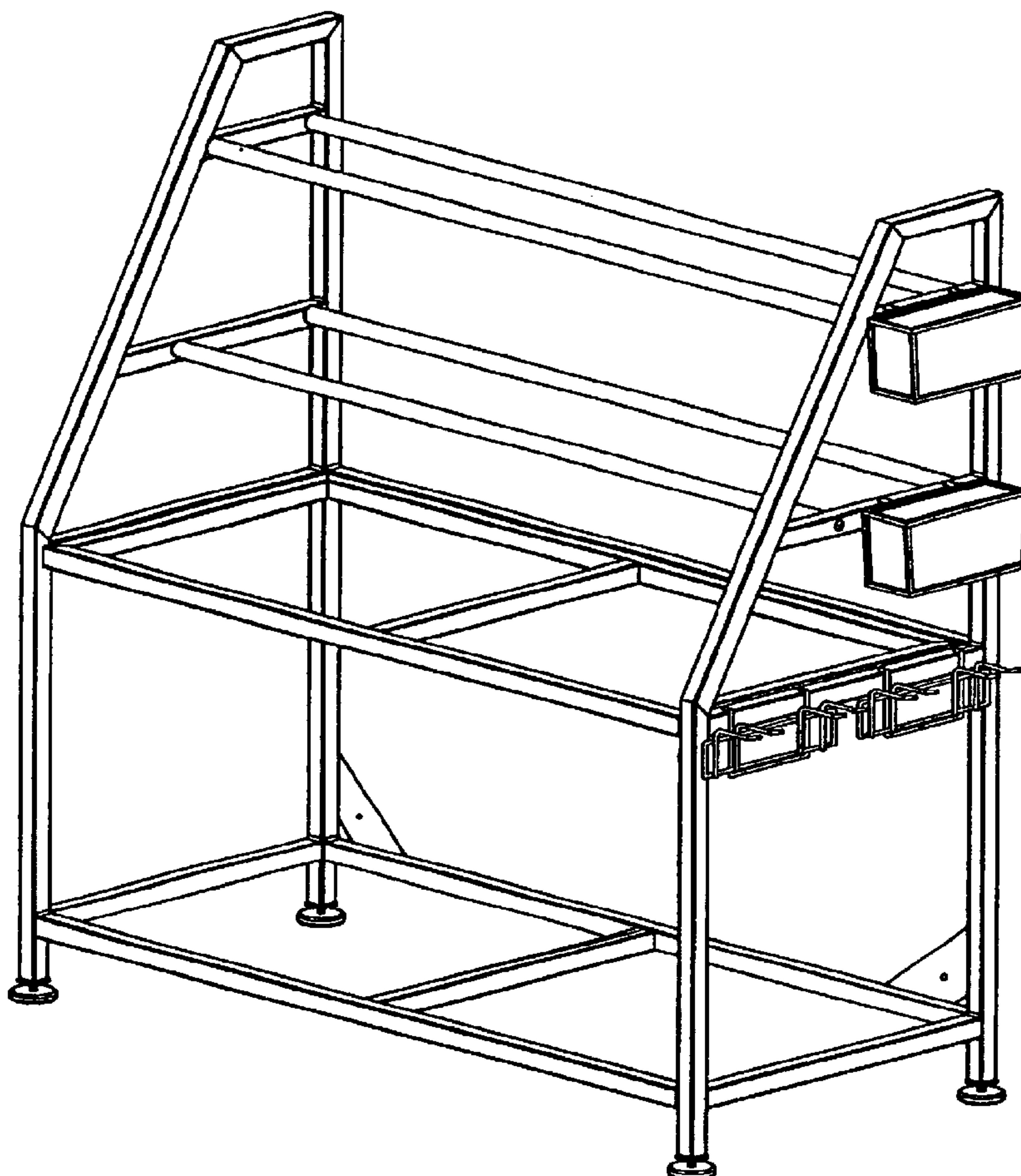
(57) **CLAIM**

The ornamental design for a sports organizer, as shown and described.

DESCRIPTION

FIG. 1 is a perspective view of the sports organizer, of the instant invention;
FIG. 2 is a front plane view thereof;
FIG. 3 is a rear plane view thereof;
FIG. 4 is a left side view thereof;
FIG. 5 is a right side view thereof;
FIG. 6 is a top view thereof; and,
FIG. 7 is a bottom view thereof.

1 Claim, 6 Drawing Sheets



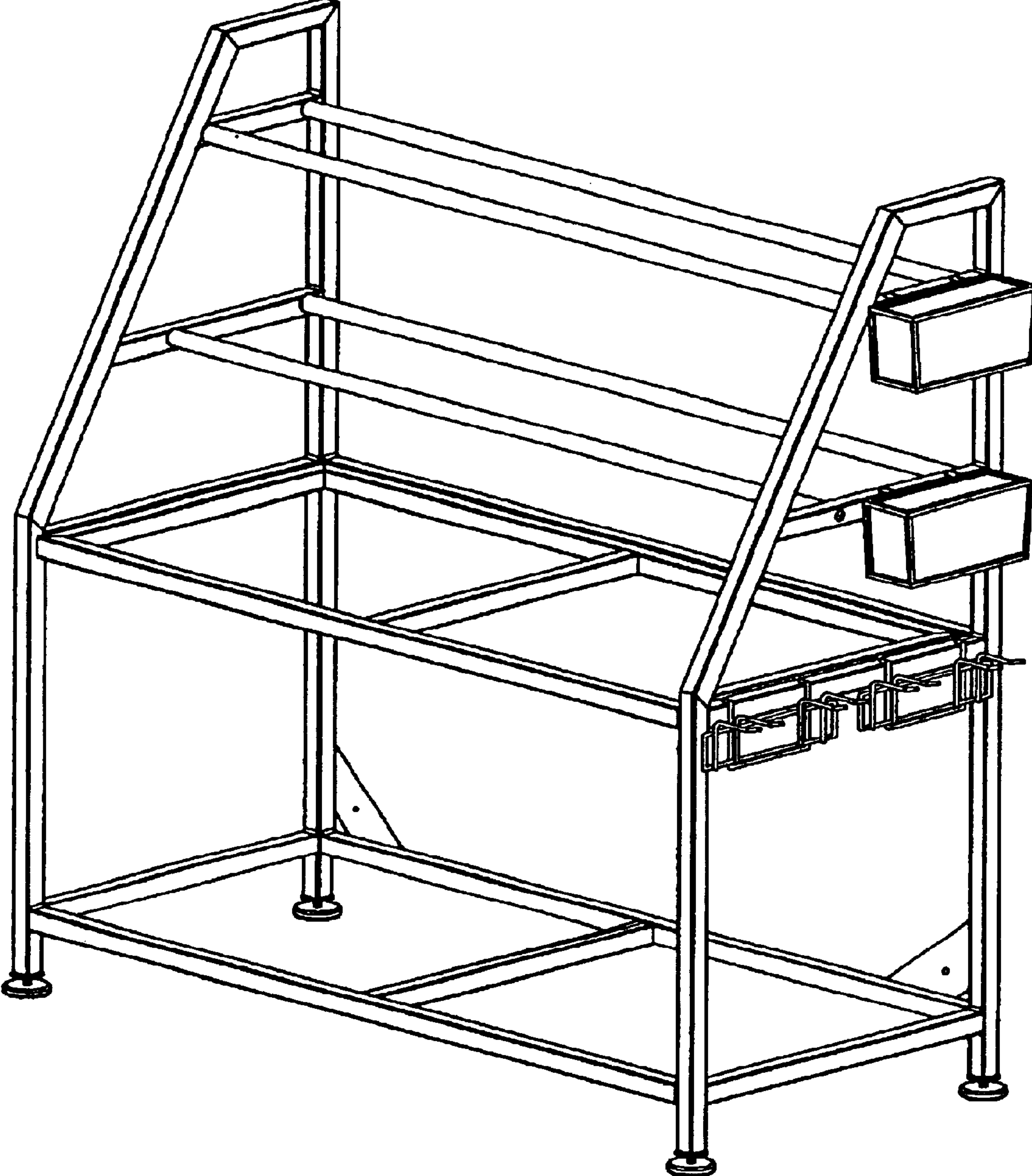


FIGURE 1

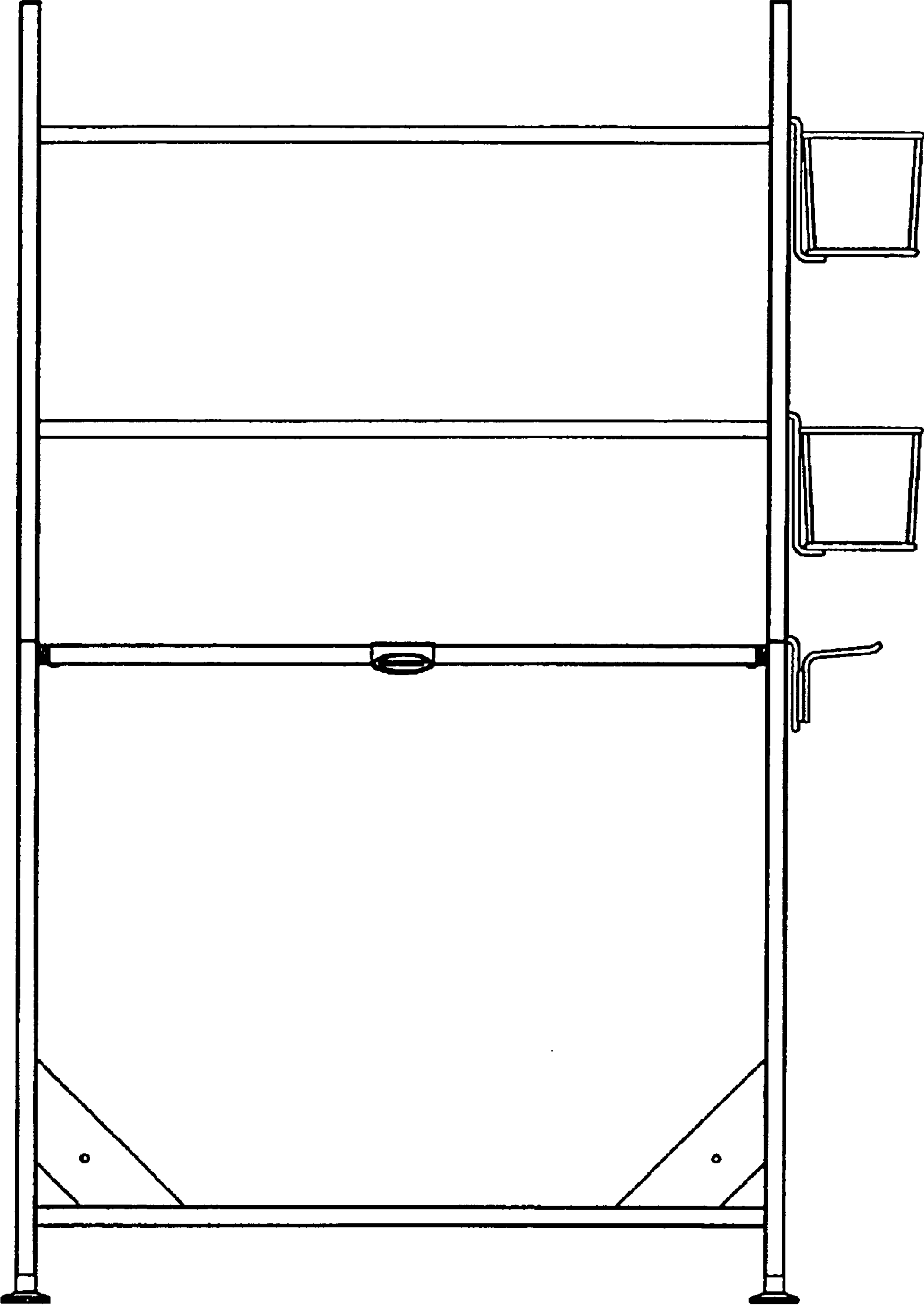


FIGURE 2

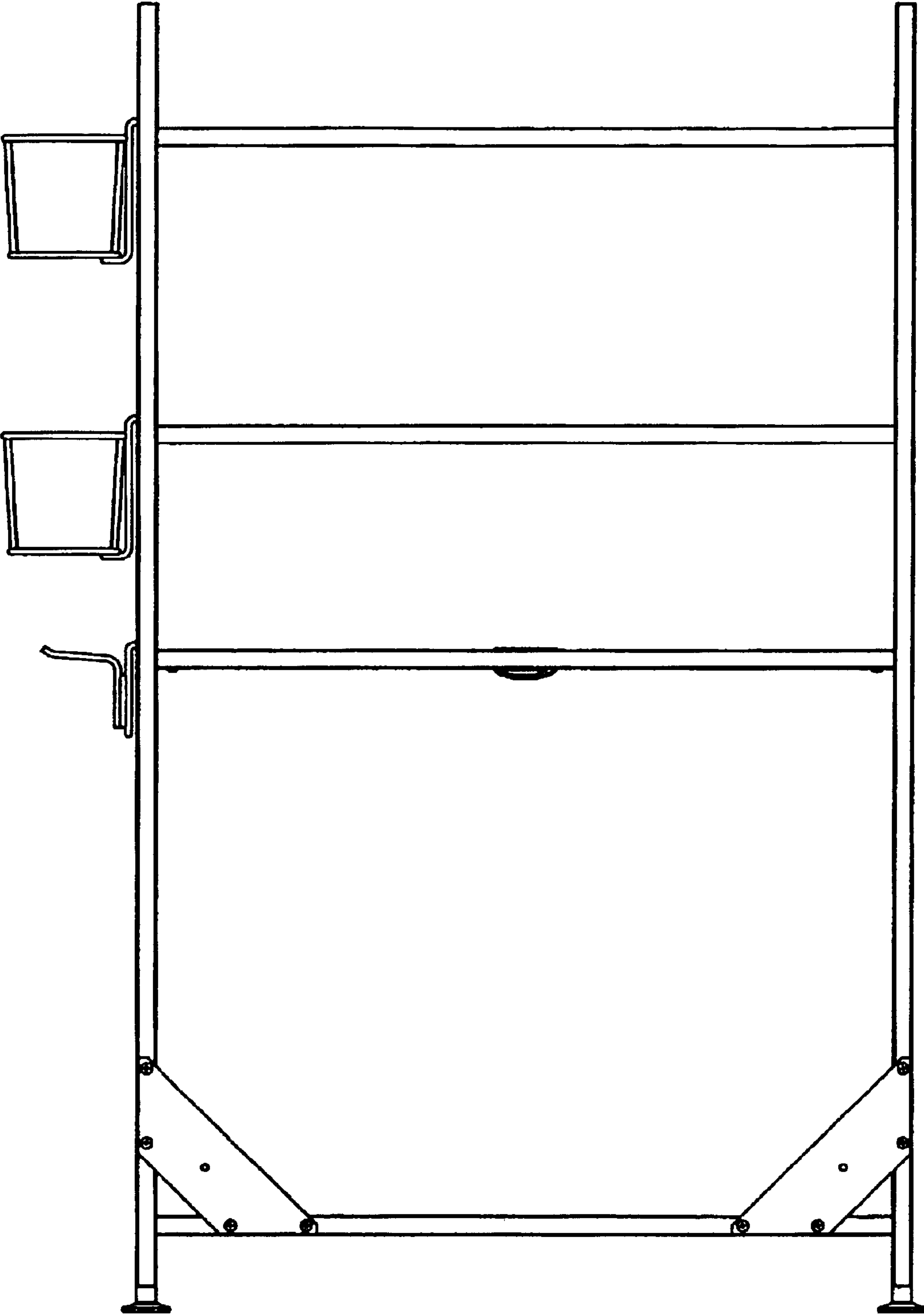


FIGURE 3

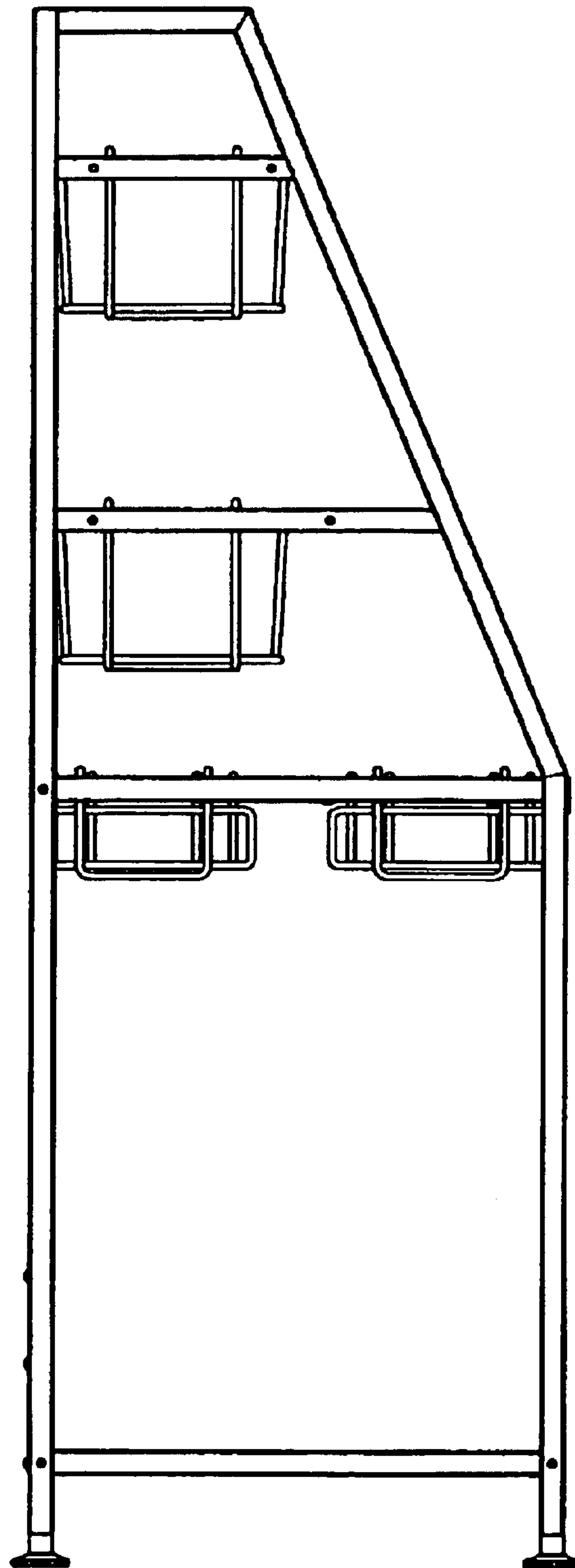


FIGURE 4

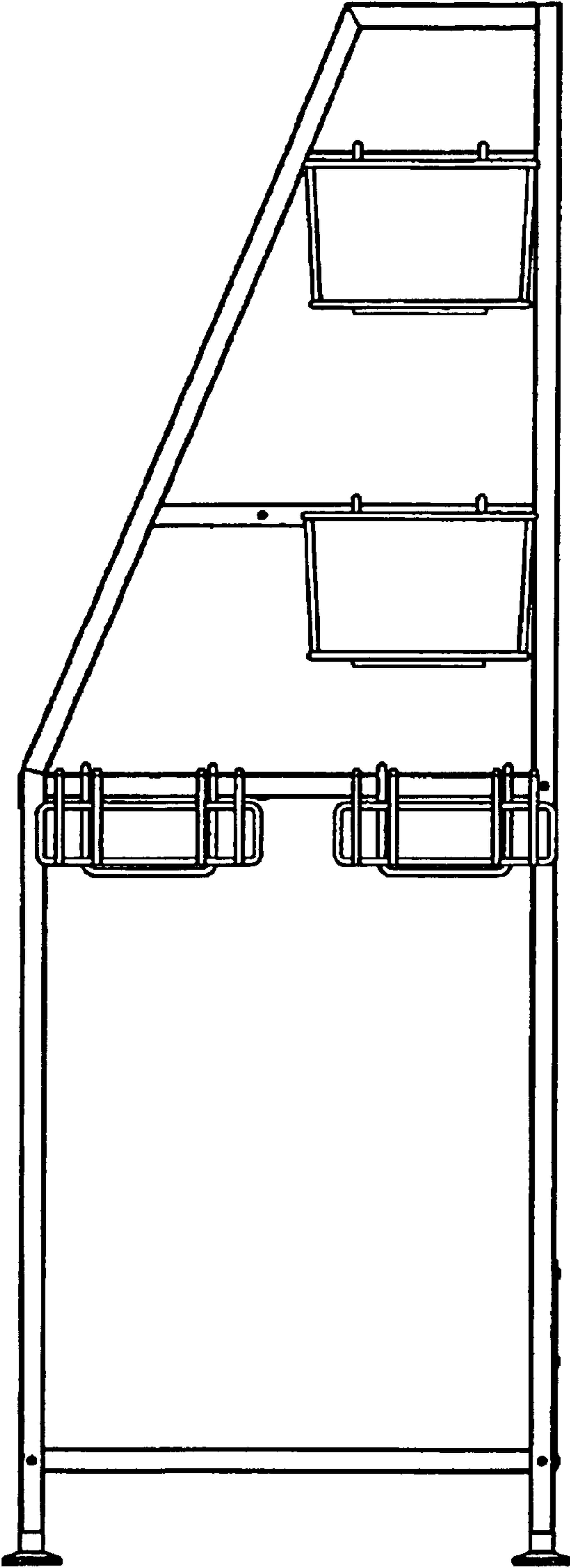


FIGURE 5

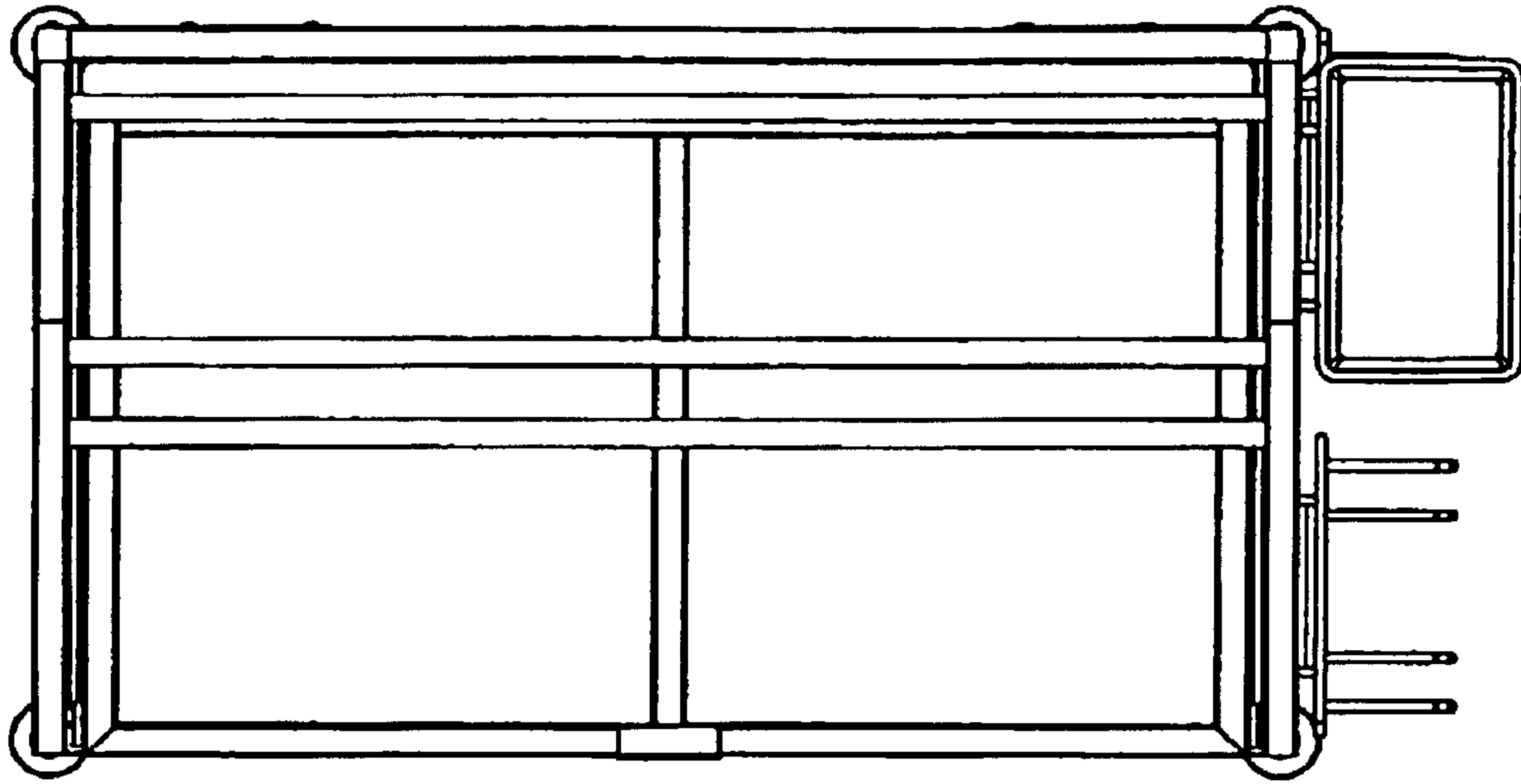


FIGURE 6

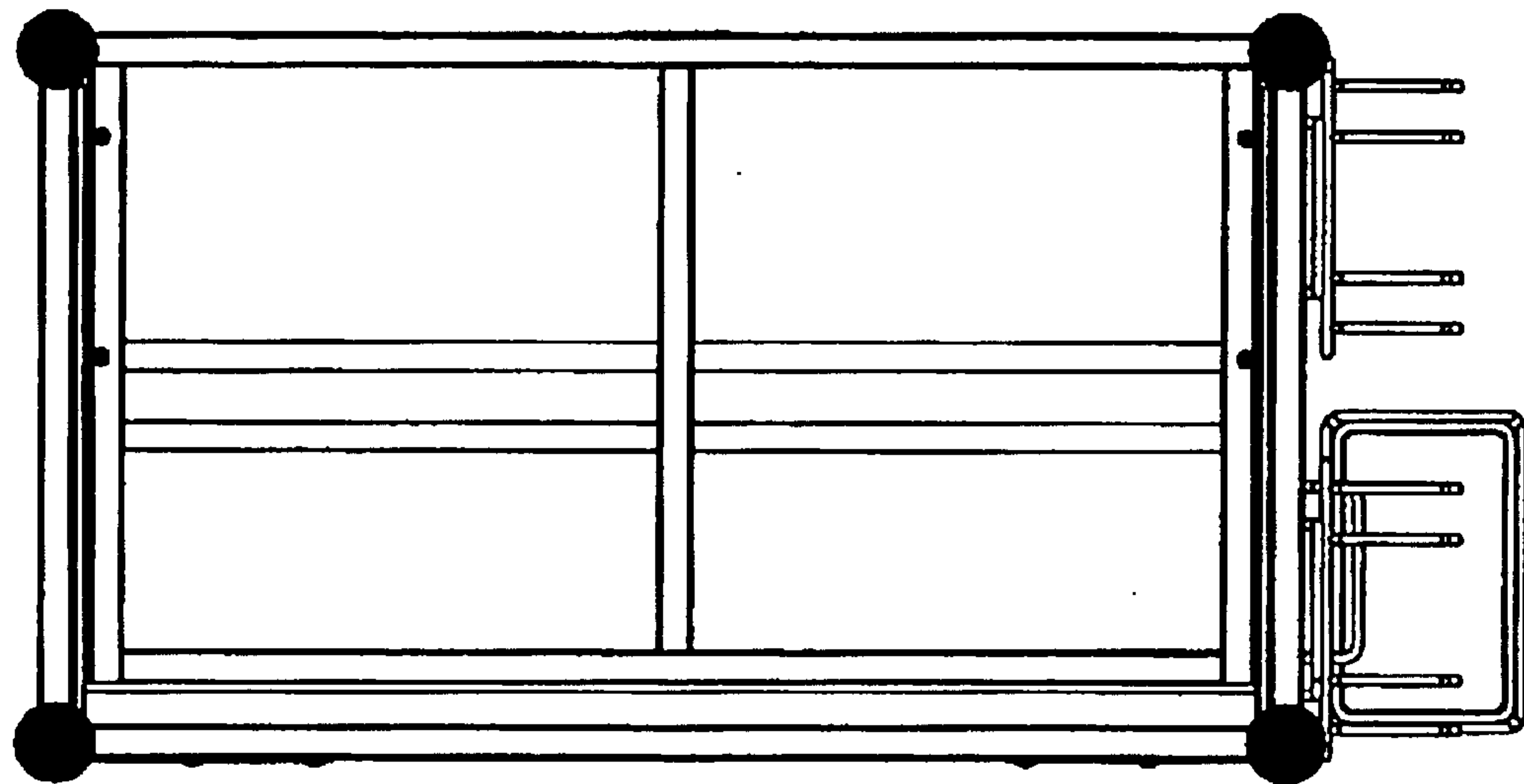


FIGURE 7