

US00D498960S

(12) **United States Design Patent**
Fahy et al.

(10) **Patent No.:** **US D498,960 S**
(45) **Date of Patent:** **** Nov. 30, 2004**

(54) **BATH HARDWARE MOUNTING BRACKET**

(75) Inventors: **David Fahy**, San Diego, CA (US);
Poho Shyu, San Diego, CA (US);
Brian Graves, San Diego, CA (US)

(73) Assignee: **BEME International, LLC**, San Diego, CA (US)

(**) Term: **14 Years**

(21) Appl. No.: **29/187,630**

(22) Filed: **Aug. 4, 2003**

(51) **LOC (7) Cl.** **06-04**

(52) **U.S. Cl.** **D6/546**

(58) **Field of Search** D6/546-550, 518-519,
D6/522-524; D8/300, 303, 315-321, 354,
363, 373, 380; 108/28-29; 211/13.1, 16,
60.1, 86.01, 87.01, 88.01, 88.04, 100, 105.1-105.2,
123, 126.1, 133.6, 134, 181.1, 182; 248/175,
176.1, 200, 251, 302, 309.1; 16/110.1,
412, 415; 242/570, 590, 595-598; 206/389,
557

(56) **References Cited**

U.S. PATENT DOCUMENTS

D229,460 S * 12/1973 Raymond D6/550

4,907,771 A * 3/1990 Wang D6/546
4,979,713 A 12/1990 Bell
5,076,523 A 12/1991 Wang
D417,994 S * 12/1999 Roth et al. D6/546
D418,346 S * 1/2000 Lee D6/550
D465,368 S * 11/2002 Moore D6/546

* cited by examiner

Primary Examiner—Brian N Vinson

(74) *Attorney, Agent, or Firm*—Loletta L. Darden

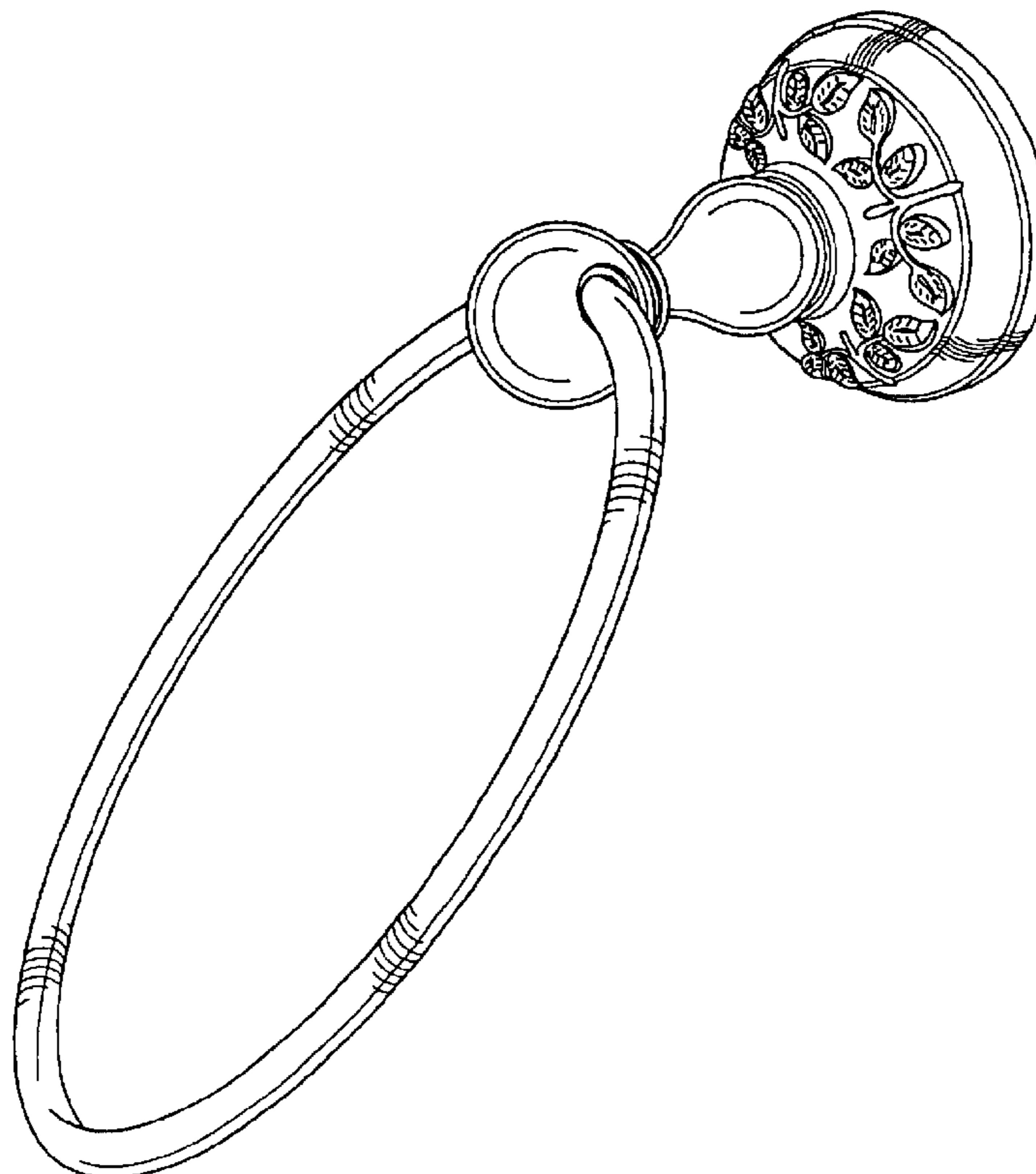
(57) **CLAIM**

The ornamental design for a bath hardware mounting bracket, as shown.

DESCRIPTION

FIG. 1 is a perspective view of the mounting bracket;
FIG. 2 is a top plan view of the mounting bracket shown in FIG. 1;
FIG. 3 is a rear plan view of the mounting bracket shown in FIG. 1;
FIG. 4 is a front plan view of the mounting bracket shown in FIG. 1;
FIG. 5 is a left plan view of the mounting bracket shown in FIG. 1; and,
FIG. 6 is a right plan view of the mounting bracket shown in FIG. 1.

1 Claim, 2 Drawing Sheets



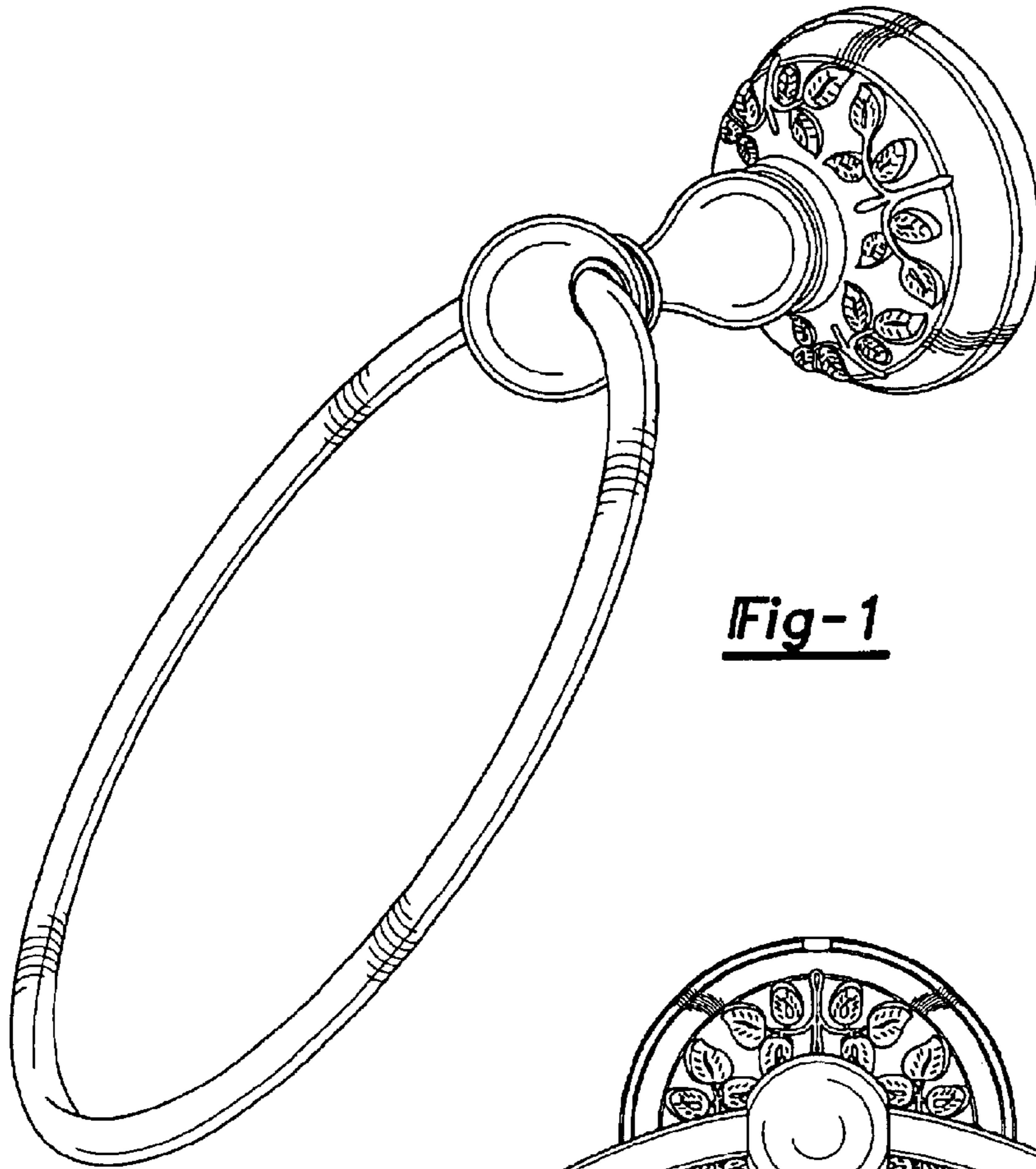


Fig-1

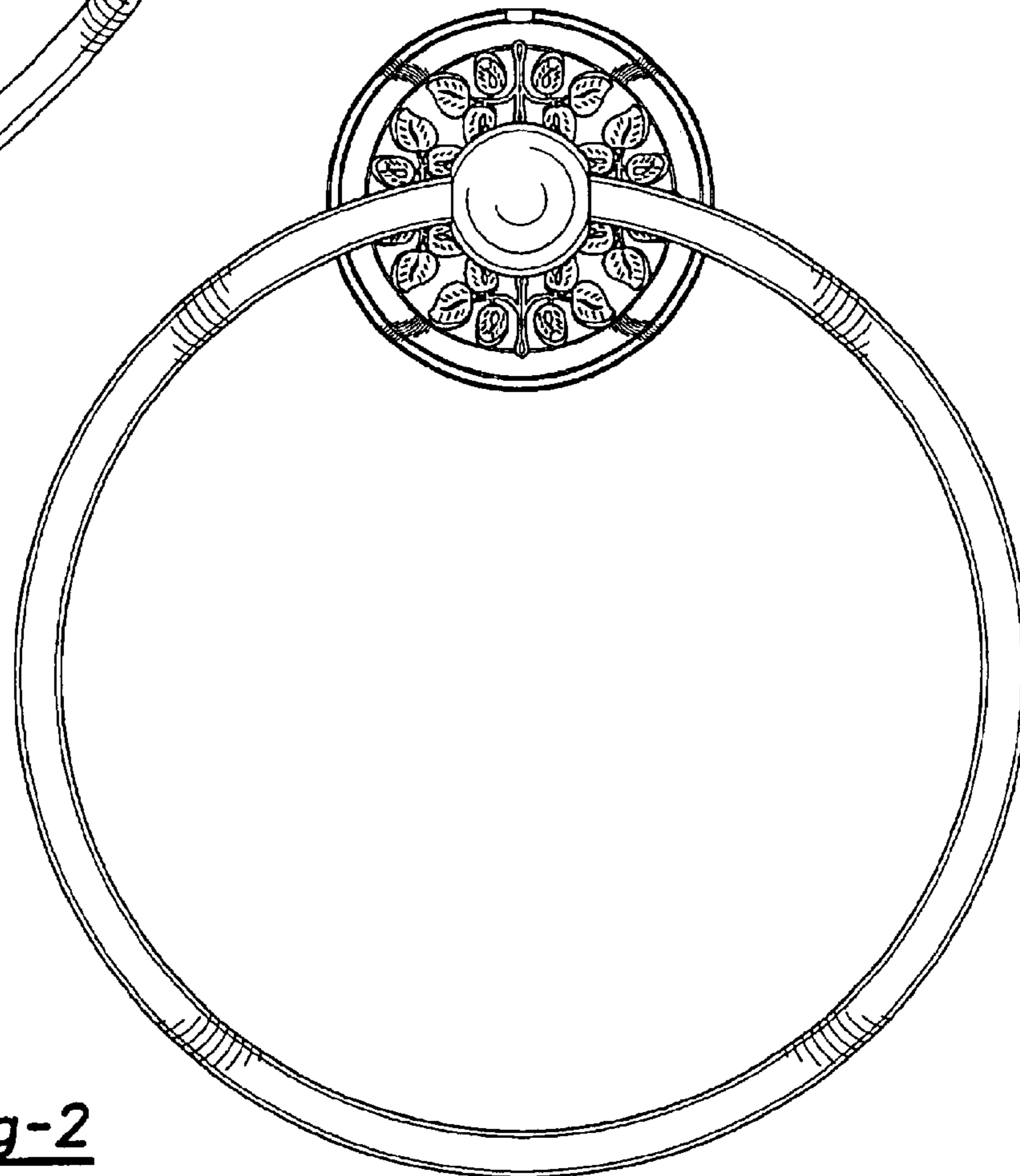


Fig-2

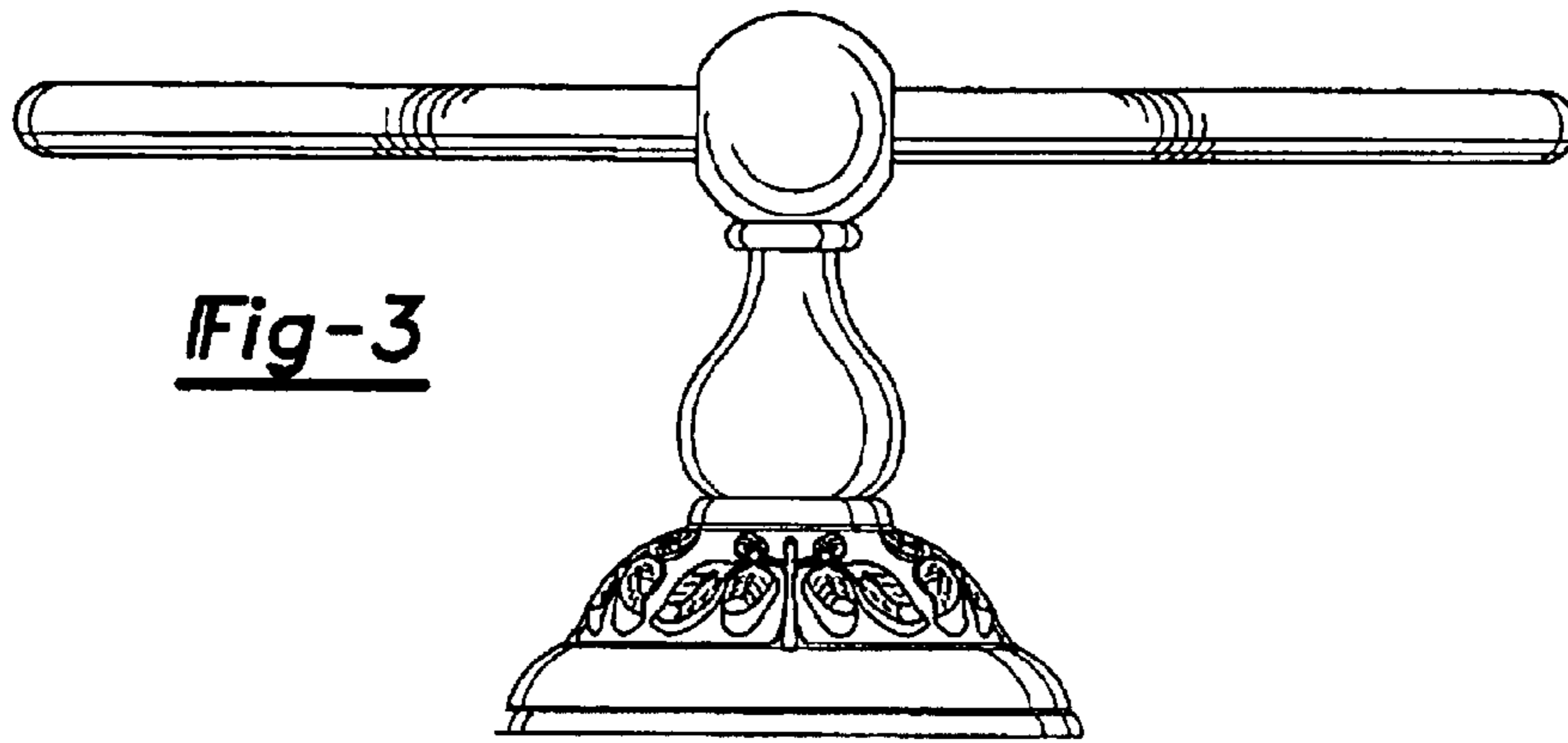


Fig-3

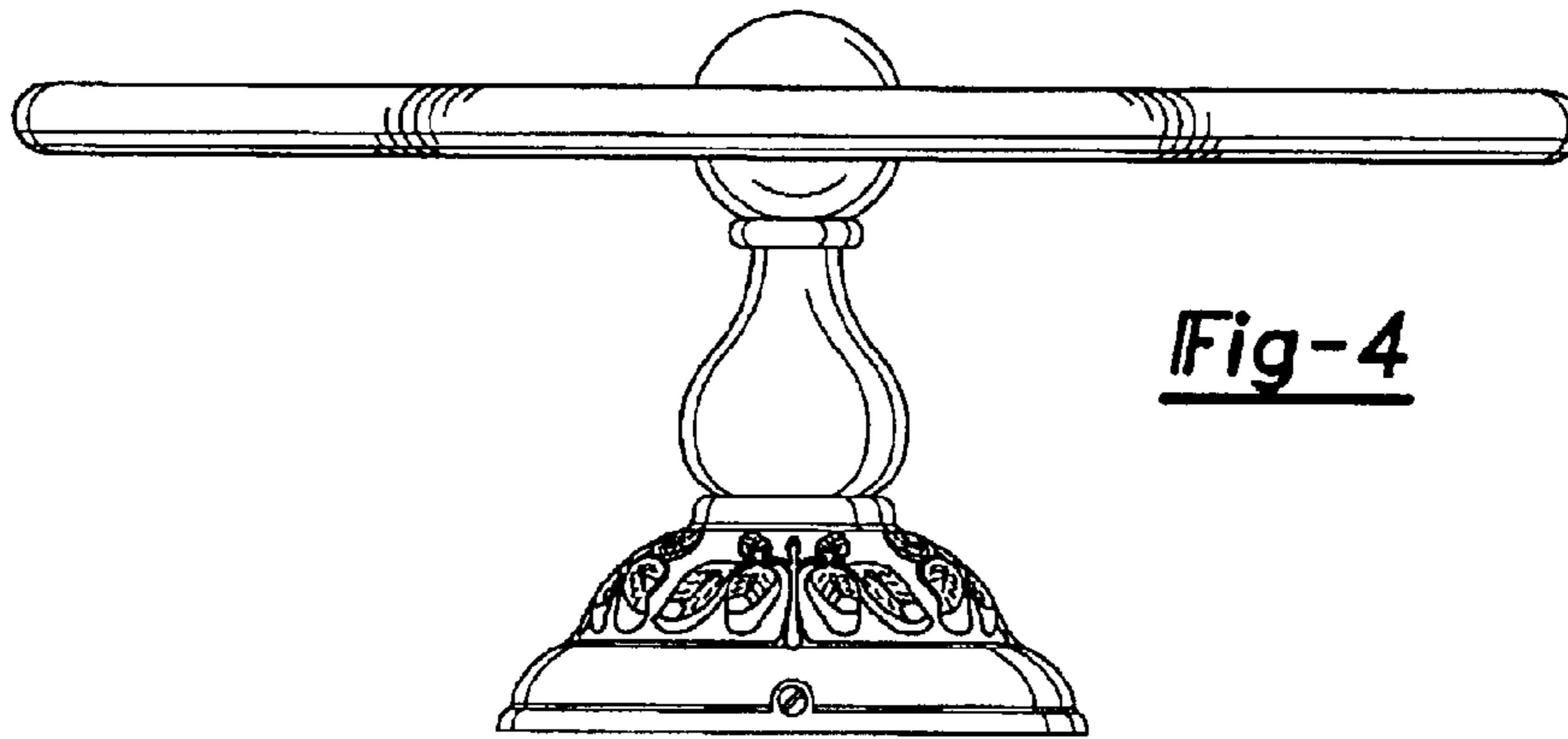


Fig-4

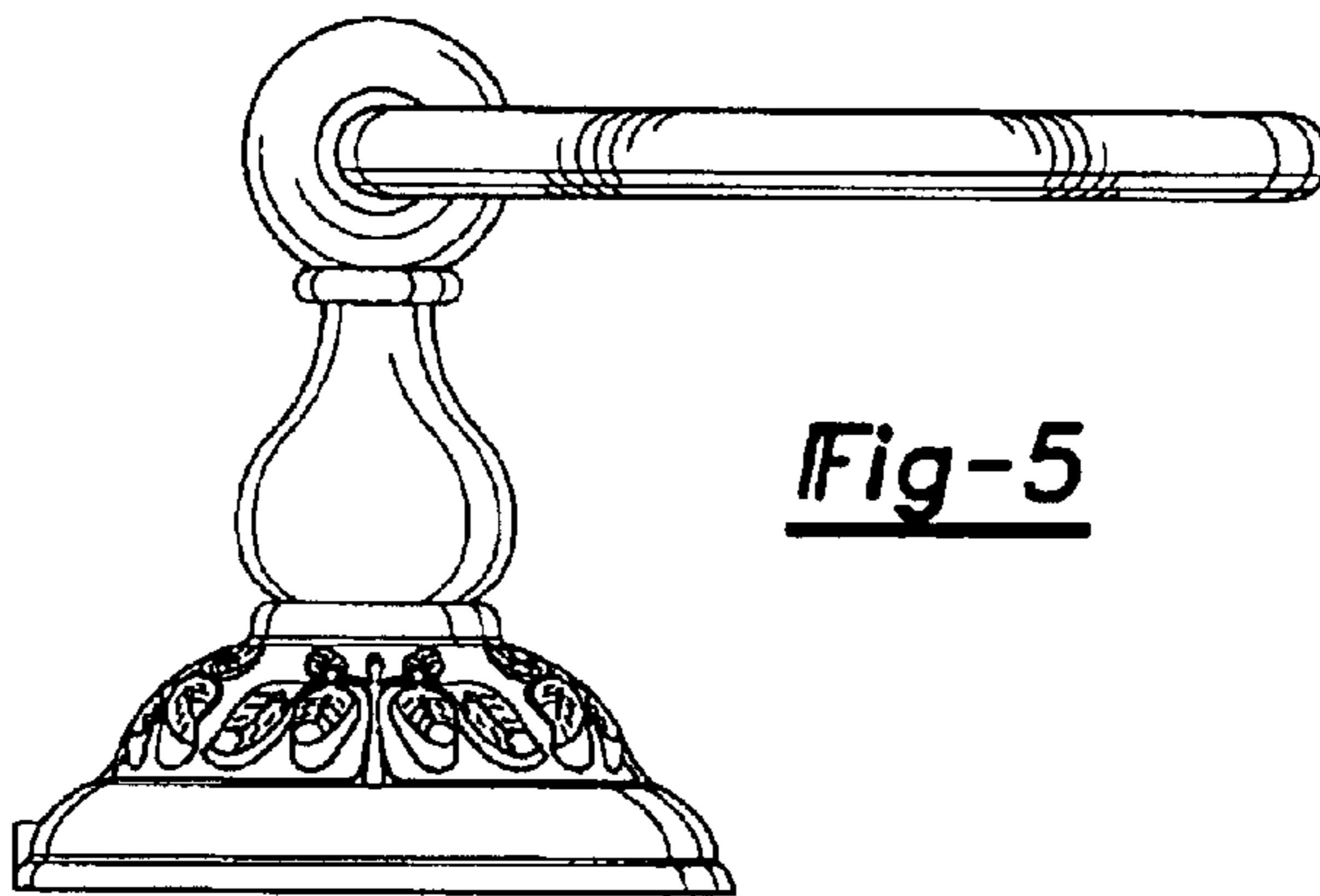


Fig-5

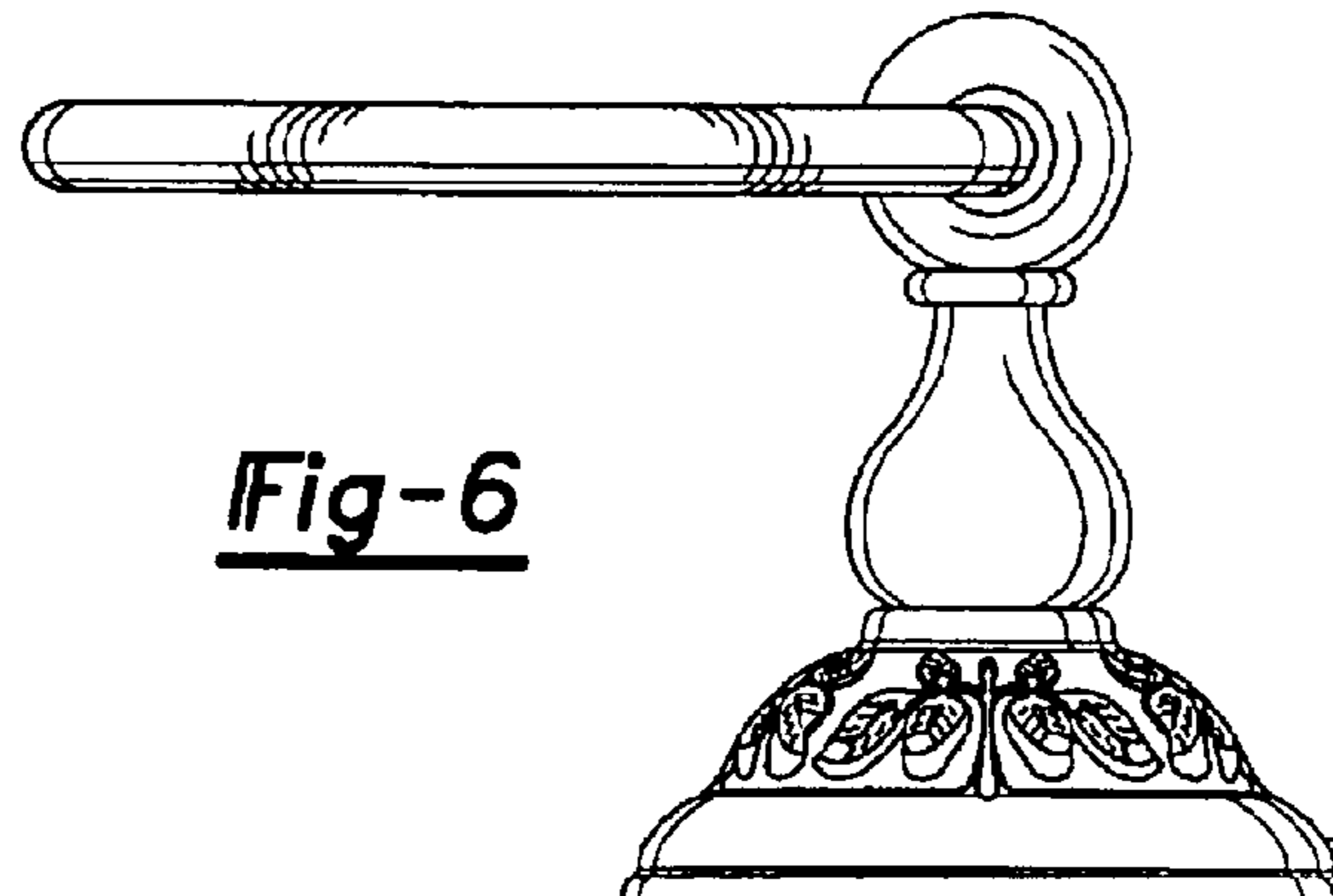


Fig-6