



US00D498959S

(12) **United States Design Patent**  
**Suero, Jr.**

(10) **Patent No.:** **US D498,959 S**  
(45) **Date of Patent:** **\*\* Nov. 30, 2004**

- (54) **SOAP DISH**
- (75) **Inventor:** **Jose Suero, Jr., Newark, DE (US)**
- (73) **Assignee:** **Zenith Products Corp., New Castle, DE (US)**
- (\*\*) **Term:** **14 Years**
- (21) **Appl. No.:** **29/199,997**
- (22) **Filed:** **Feb. 23, 2004**
- (51) **LOC (7) Cl.** ..... **23-02**
- (52) **U.S. Cl.** ..... **D6/537**
- (58) **Field of Search** ..... D6/536-540, 553,  
D6/566, 574; 206/77.01, 557; 211/13.1,  
85.12, 86.01, 87.01, 88.01, 90.03, 106,  
134, 126.1, 181.1

- D429,102 S \* 8/2000 Patel et al. .... D6/537
- D449,752 S \* 10/2001 Snell ..... D6/537
- D478,443 S \* 8/2003 Clucas ..... D6/537
- 6,669,033 B1 \* 12/2003 Lian ..... 211/87.01

\* cited by examiner

*Primary Examiner*—Brian N Vinson  
(74) *Attorney, Agent, or Firm*—Edgar A. Zarins; Lloyd D. Doigan

(57) **CLAIM**

The ornamental design for a soap dish, as shown and described.

**DESCRIPTION**

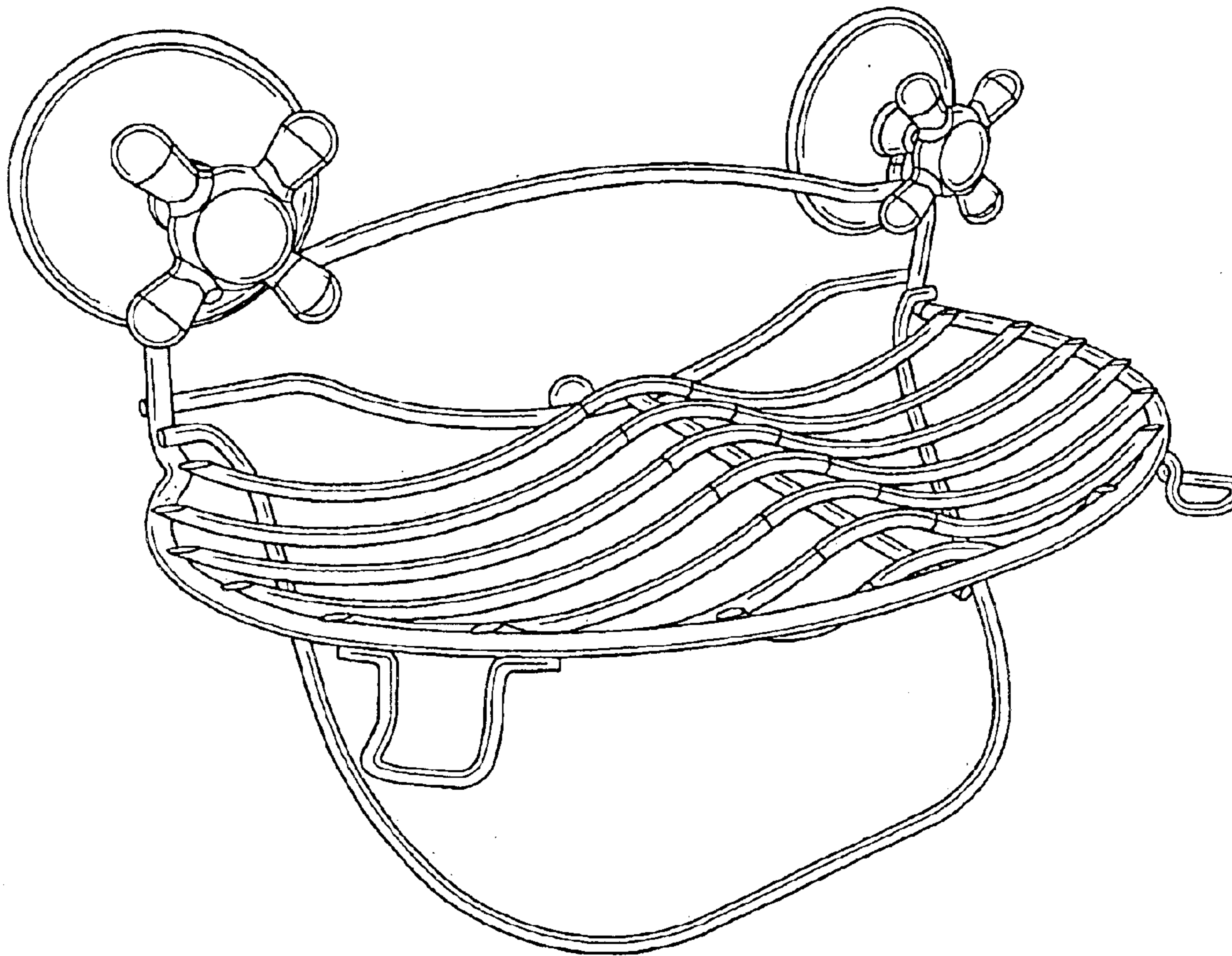
FIG. 1 is a perspective view of a soap dish showing my new design;  
FIG. 2 is a front elevational view thereof;  
FIG. 3 is a right side view thereof; the opposite side being a mirror image of the side shown; and,  
FIG. 4 is a top plan view thereof.

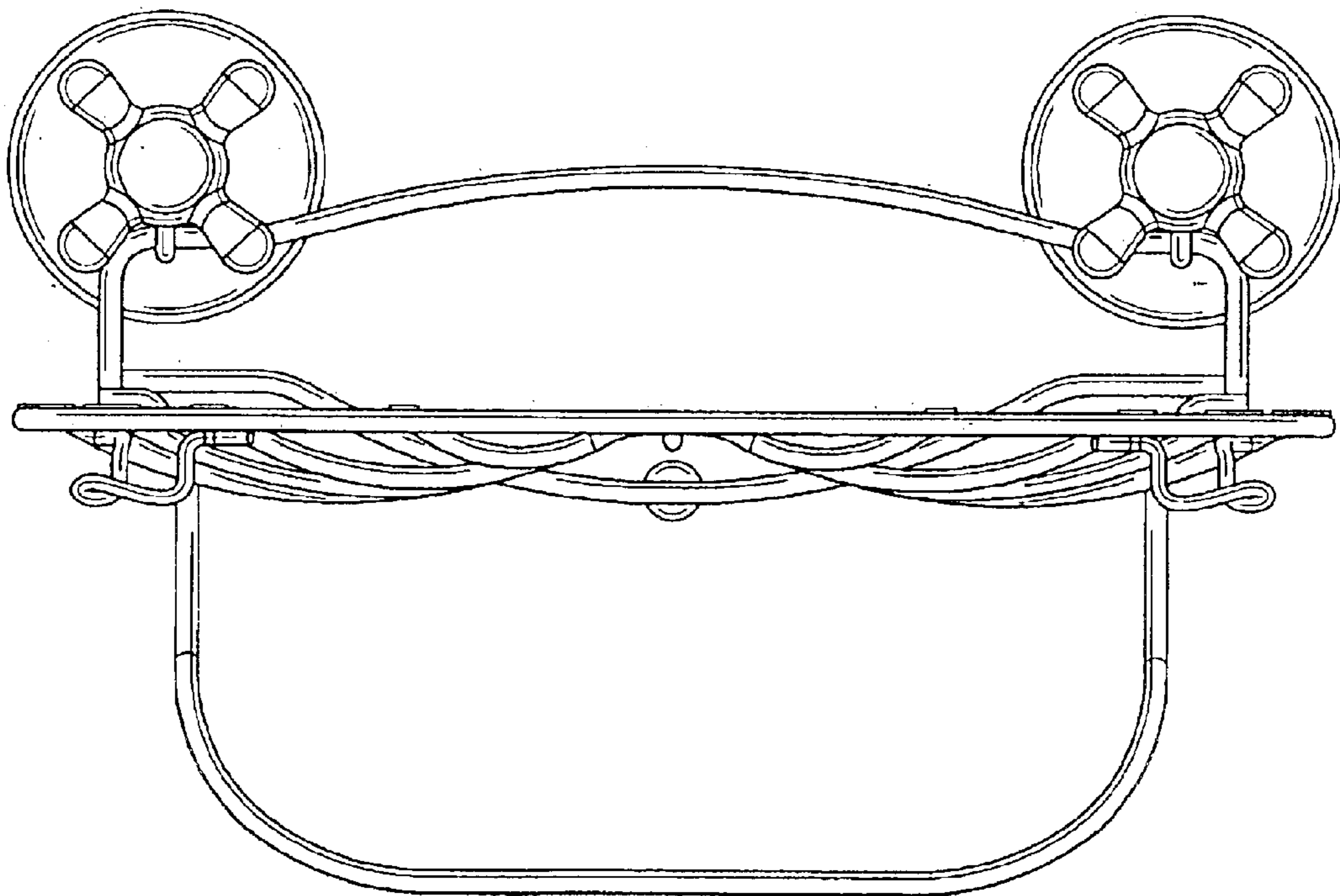
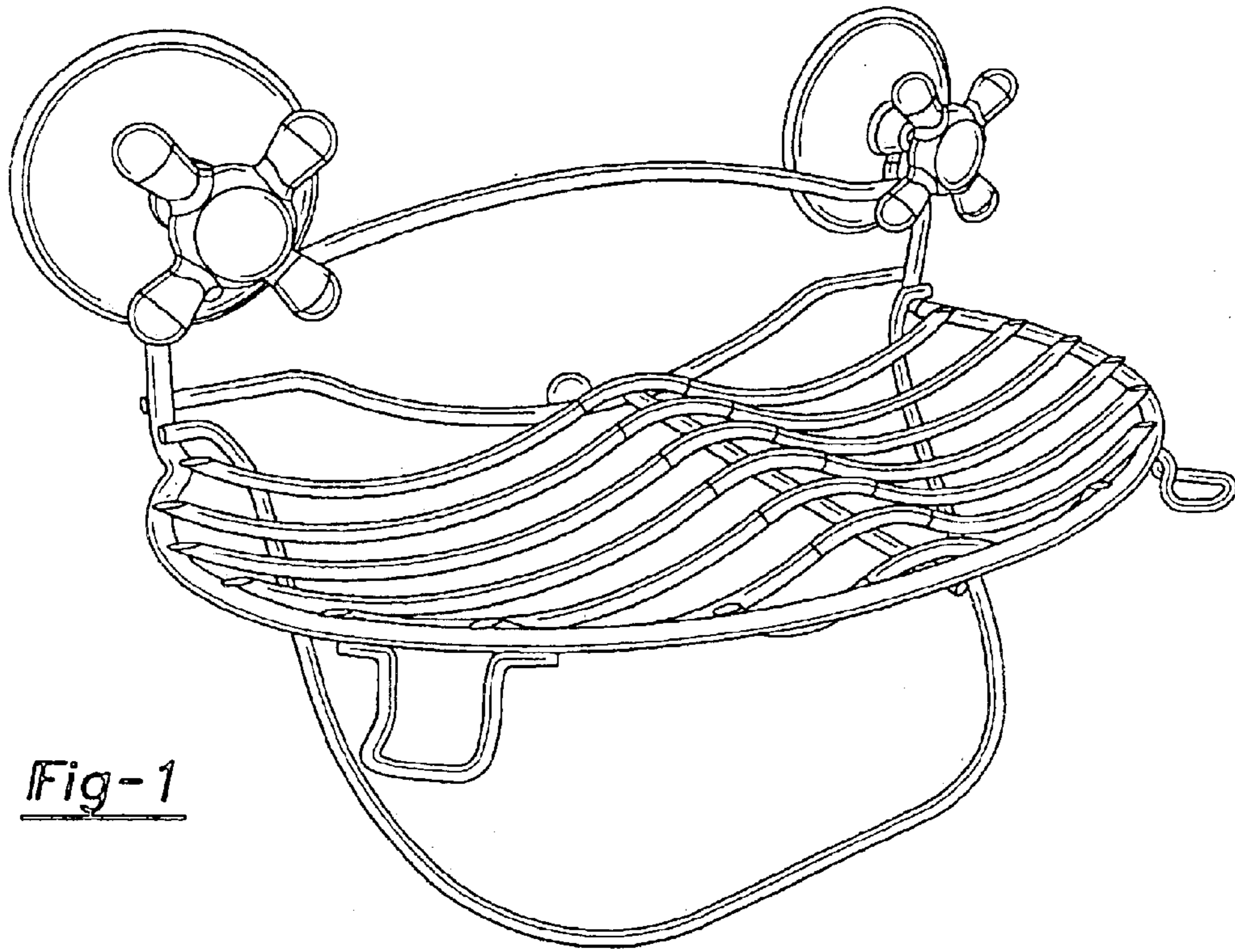
(56) **References Cited**

**U.S. PATENT DOCUMENTS**

- D121,813 S \* 8/1940 Isenberg ..... D6/537
- D327,596 S \* 7/1992 Emery ..... D6/540

**1 Claim, 2 Drawing Sheets**





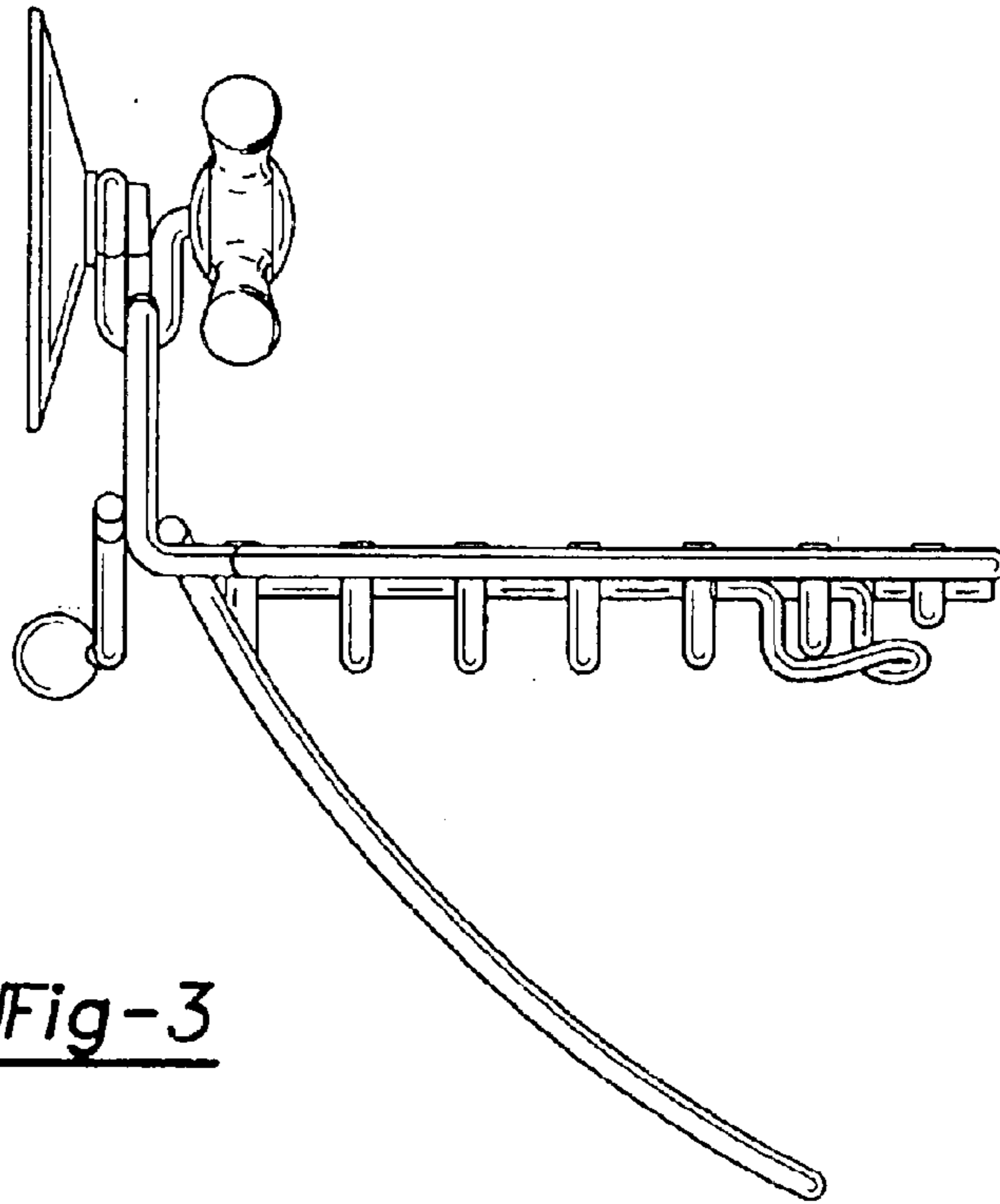


Fig-3

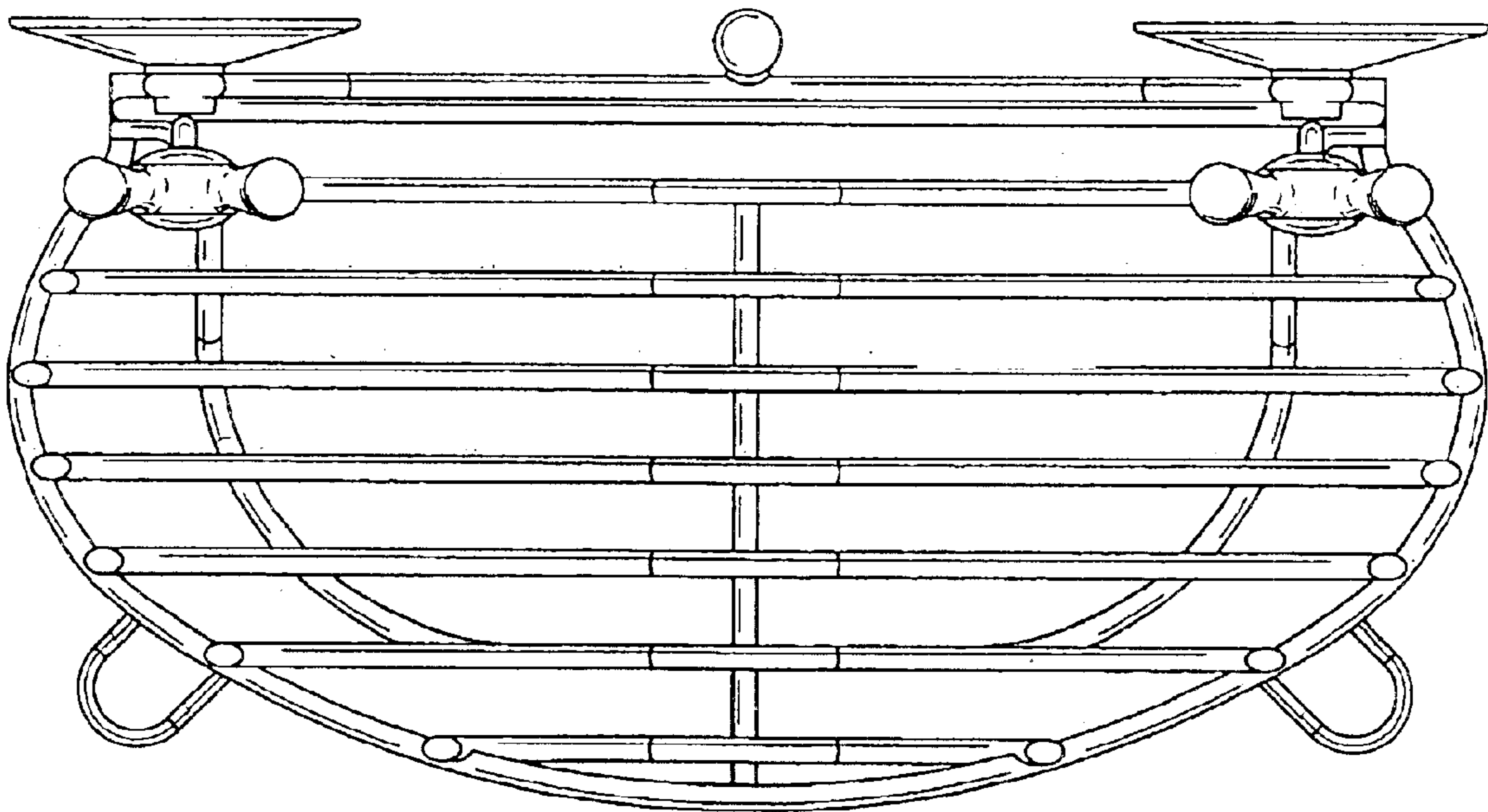


Fig-4