

US00D498958S

(12) **United States Design Patent** (10) **Patent No.:** **US D498,958 S**  
**Henry** (45) **Date of Patent:** **\*\* Nov. 30, 2004**

(54) **TOOTHBRUSH HOLDER WITH BRACKET FOR SUCTION CUP**

D454,740 S \* 3/2002 Baggott ..... D6/534  
6,457,592 B1 \* 10/2002 Rozen ..... 211/65  
D492,869 S \* 7/2004 Henry ..... D6/534

(76) Inventor: **Kellie A. Henry**, 4850 SW. 139<sup>th</sup> Ave.,  
Beaverton, OR (US) 97005

\* cited by examiner

(\*\*) Term: **14 Years**

*Primary Examiner*—Brian N Vinson

(74) *Attorney, Agent, or Firm*—Ingrid McTaggart

(21) Appl. No.: **29/186,082**

(57) **CLAIM**

(22) Filed: **Jul. 8, 2003**

The ornamental design for a toothbrush holder with bracket for suction cup, as shown.

(51) **LOC (7) Cl.** ..... **23-02**

(52) **U.S. Cl.** ..... **D6/534**

(58) **Field of Search** ..... D6/534, 528, 552–553,  
D6/567, 569, 572–573; 211/13.1, 65; 248/309.1,  
312; 206/209, 209.1, 361–362, 362.1, 362.2,  
362.3

**DESCRIPTION**

FIG. 1 is a top, front, and right side perspective view of a toothbrush holder with bracket for suction cup showing my new design

FIG. 2 is an enlarged bottom, front, and right side perspective view thereof;

FIG. 3 is an enlarged right side elevational view thereof;

FIG. 4 is an enlarged front elevational view thereof;

FIG. 5 is an enlarged rear elevational view thereof;

FIG. 6 is an enlarged top plan view thereof; and,

FIG. 7 is an enlarged bottom plan view thereof.

The broken-line disclosure of a fragmentary wall surface and suction cups in the views is for illustrative purposes only, and forms no part of the claimed design.

(56) **References Cited**

**U.S. PATENT DOCUMENTS**

D242,672 S	*	12/1976	Harris	.....	D6/534
4,014,453 A		3/1977	Tarnacki		
D299,423 S		1/1989	Davis		
D300,970 S		5/1989	Walker		
4,993,671 A		2/1991	Ste. Marie		
5,394,584 A	*	3/1995	Breitschmid	.....	D6/534
D366,741 S		1/1996	Roehrig		
D398,177 S	*	9/1998	Garcia	.....	D6/534
D451,730 S	*	12/2001	Henderson	.....	D6/534

**1 Claim, 2 Drawing Sheets**

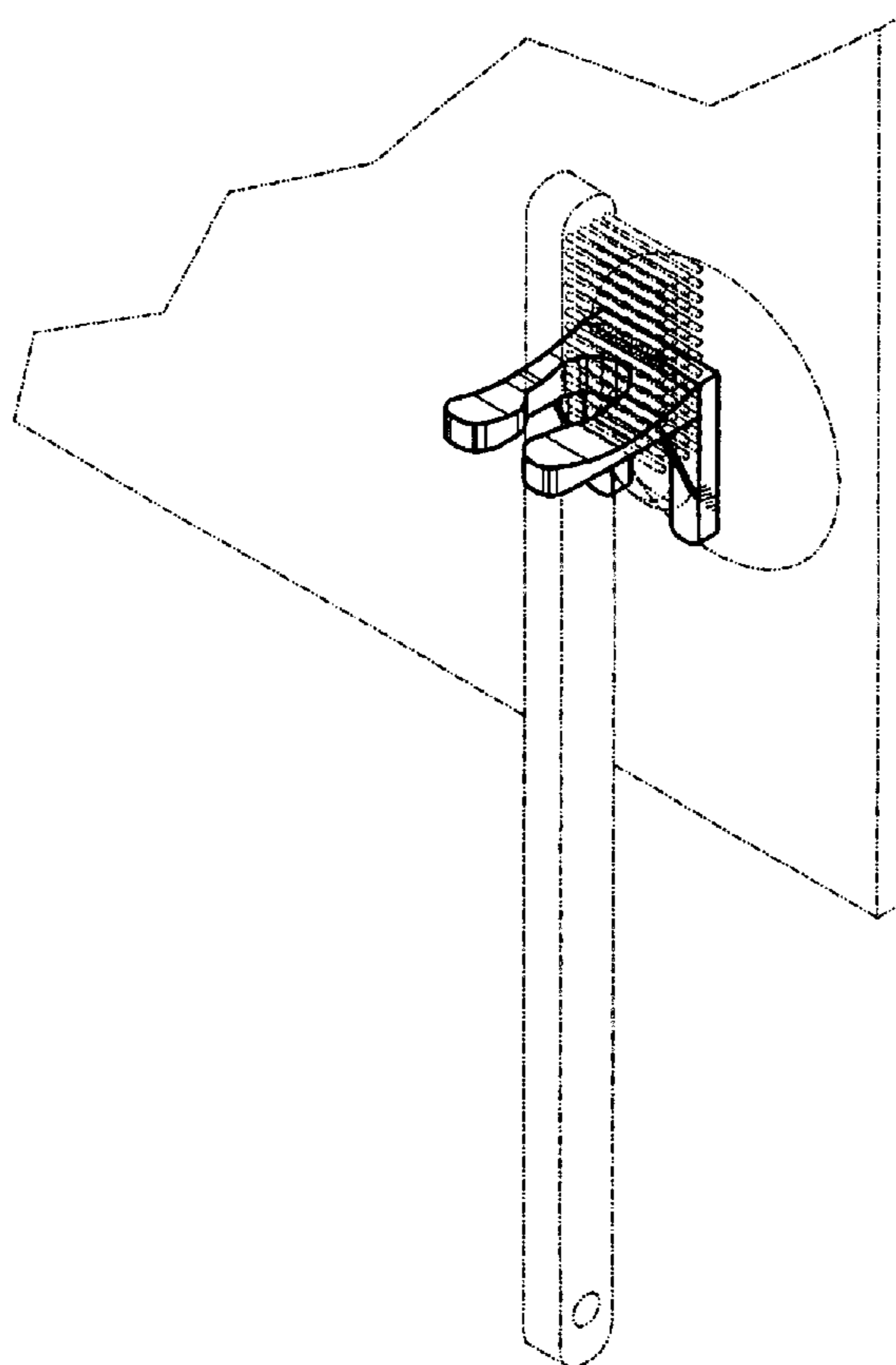


Fig. 1

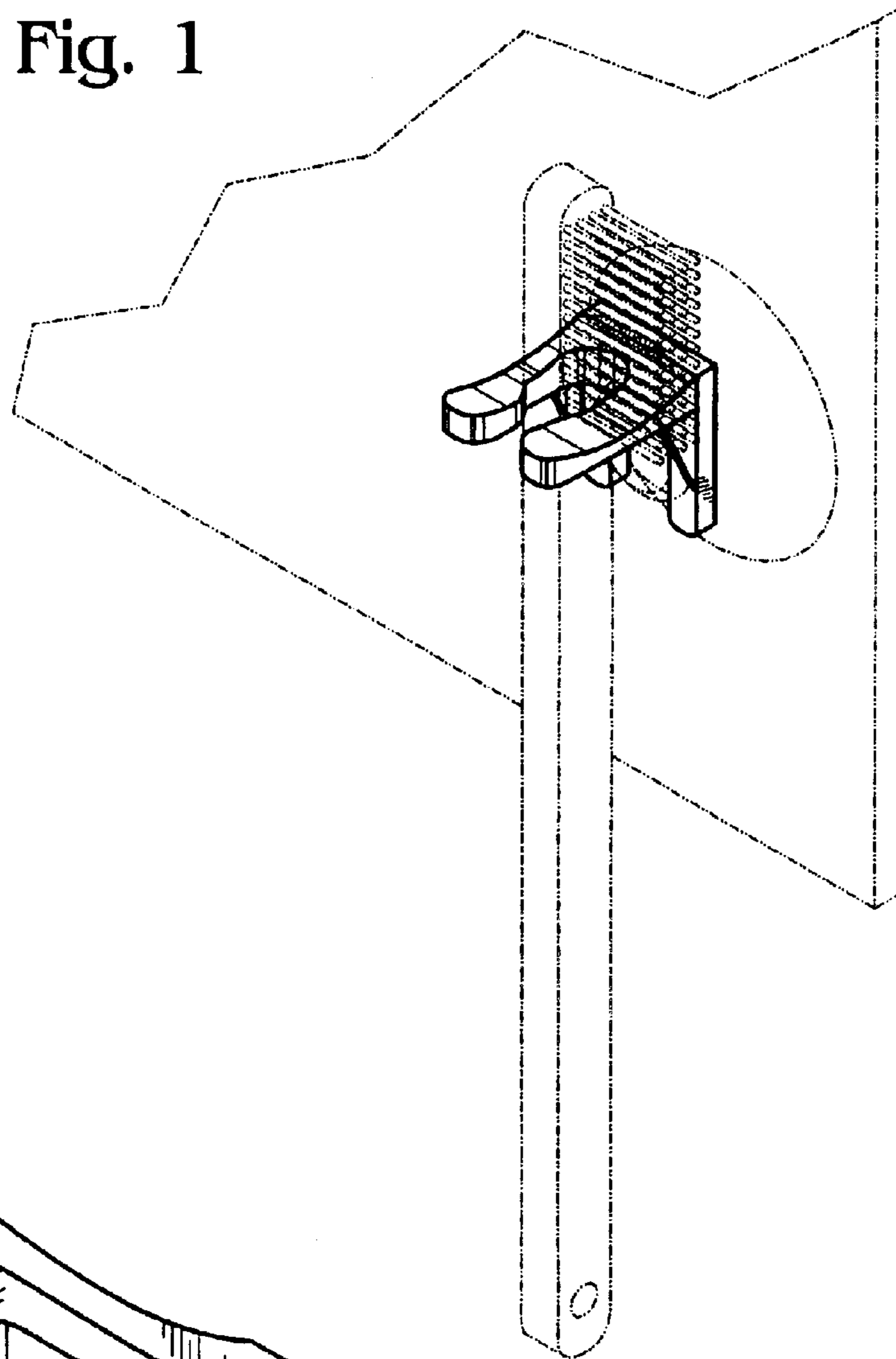


Fig. 2

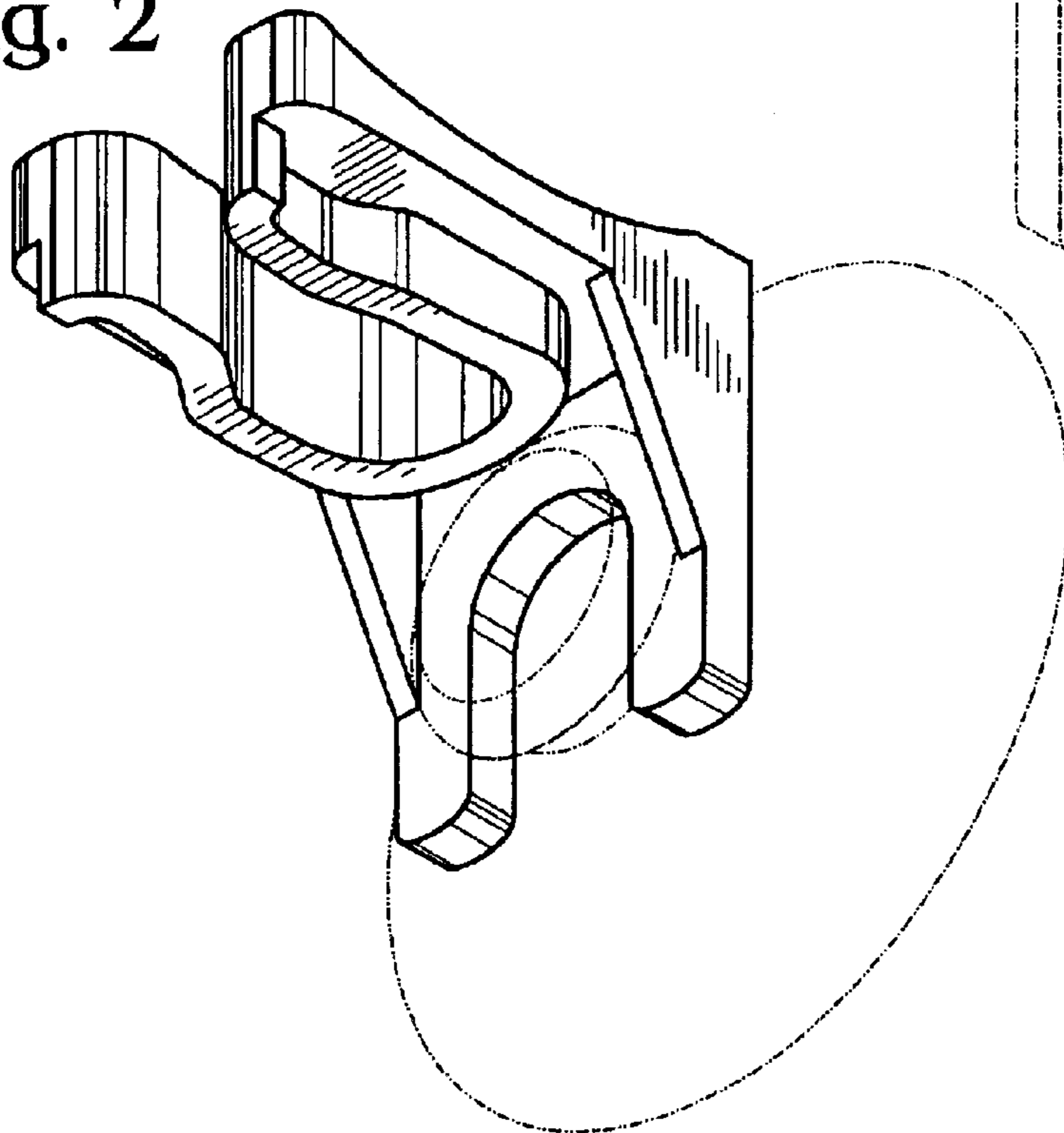


Fig. 3

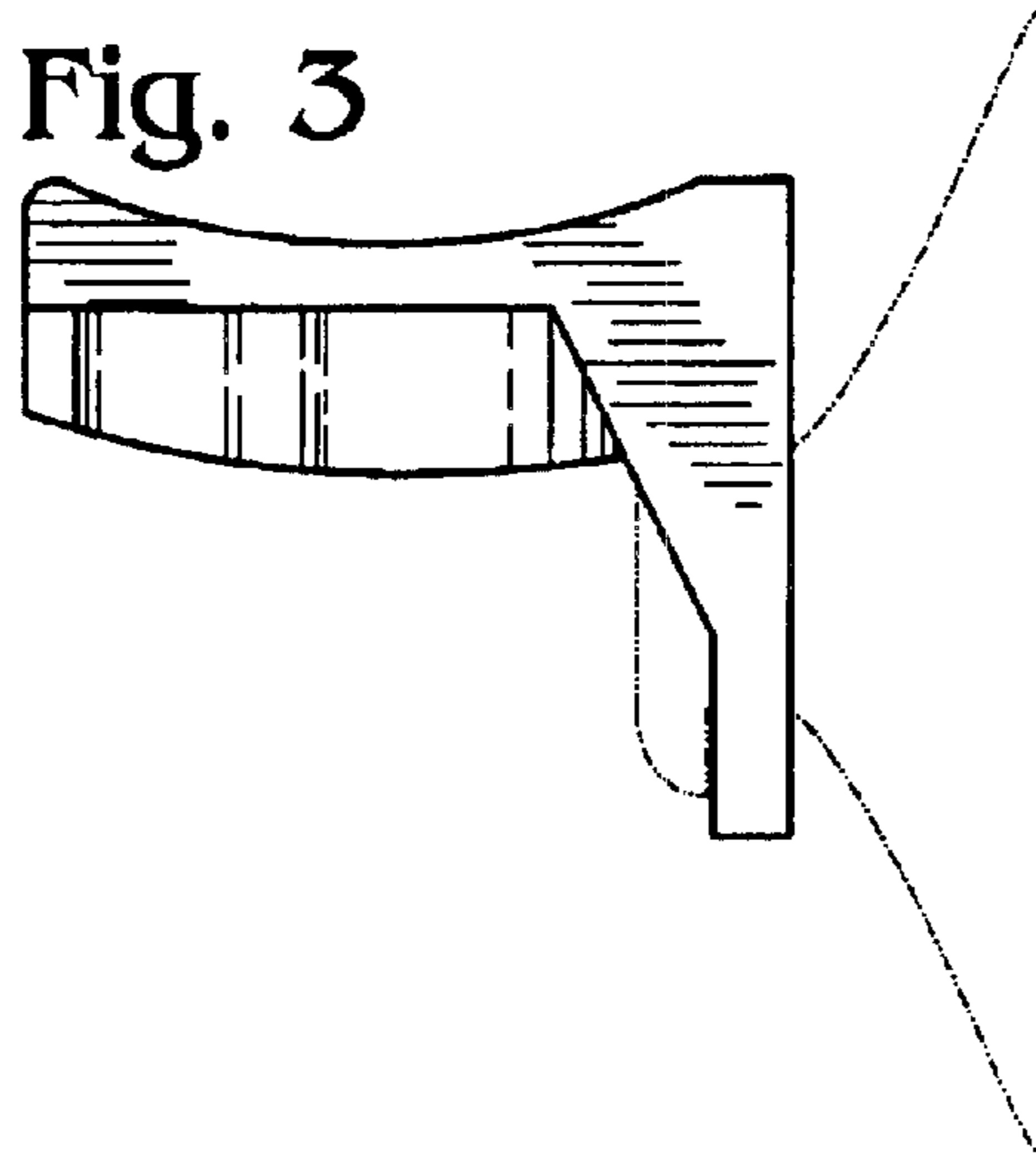


Fig. 4

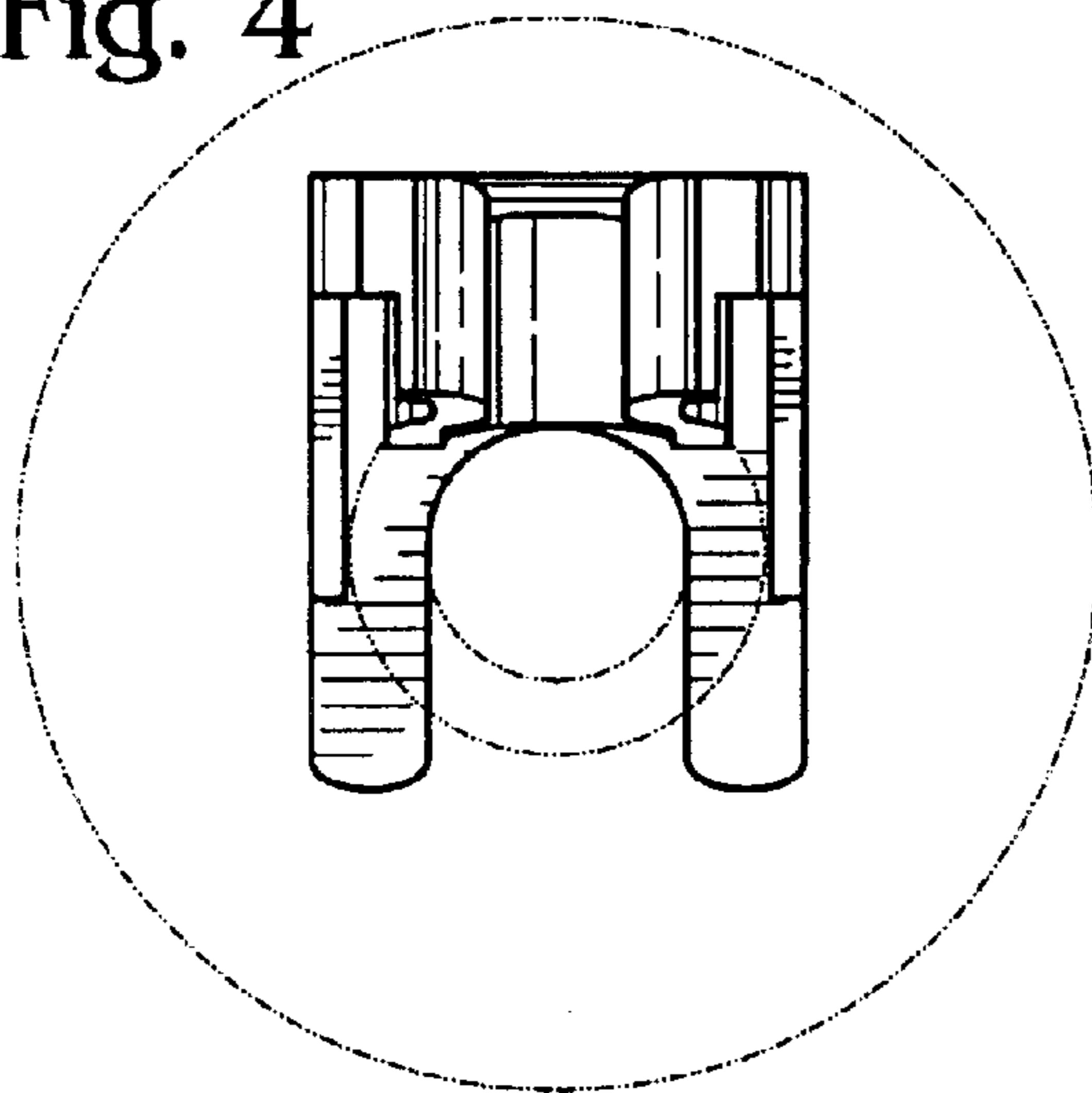


Fig. 5

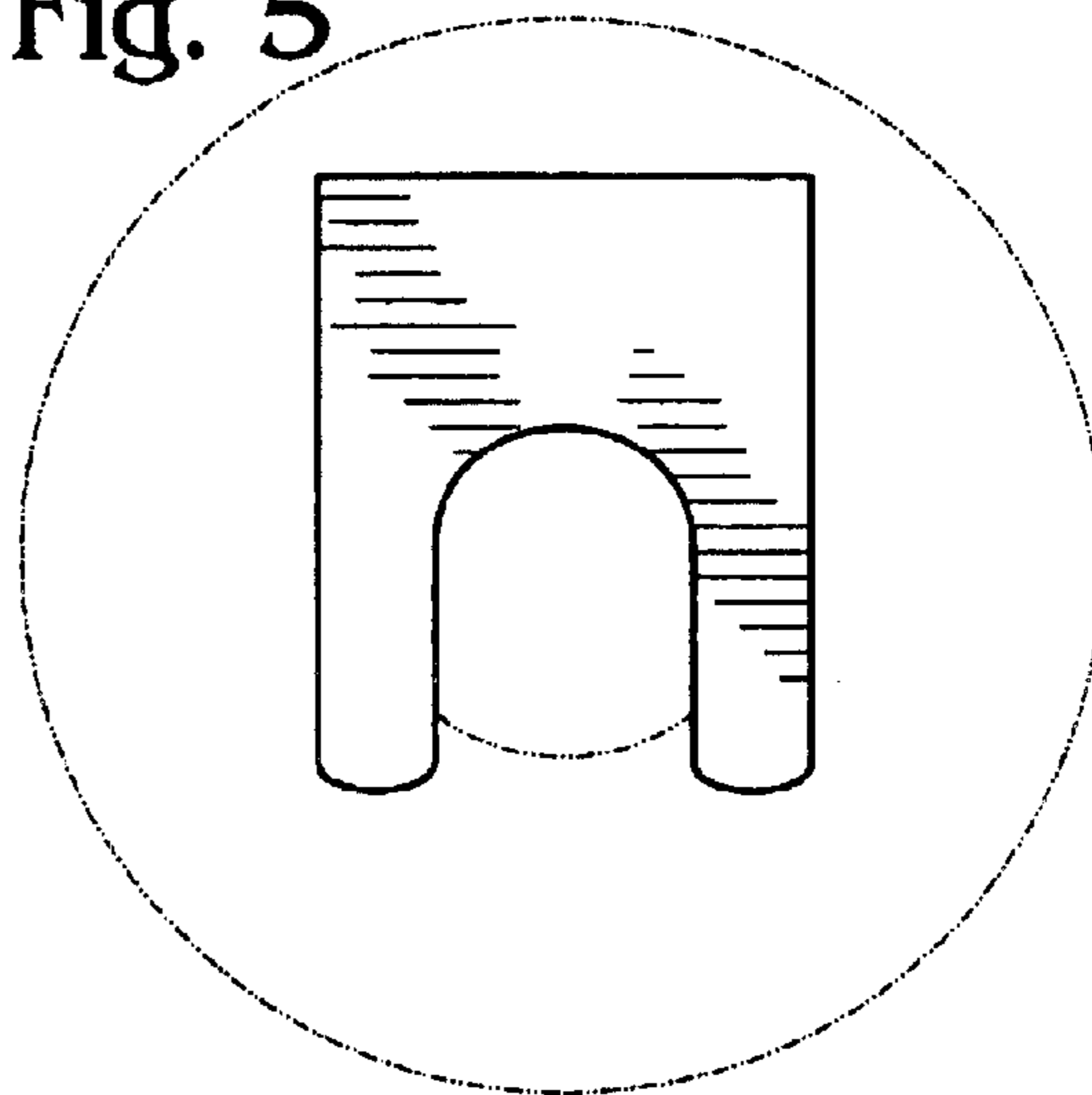


Fig. 6

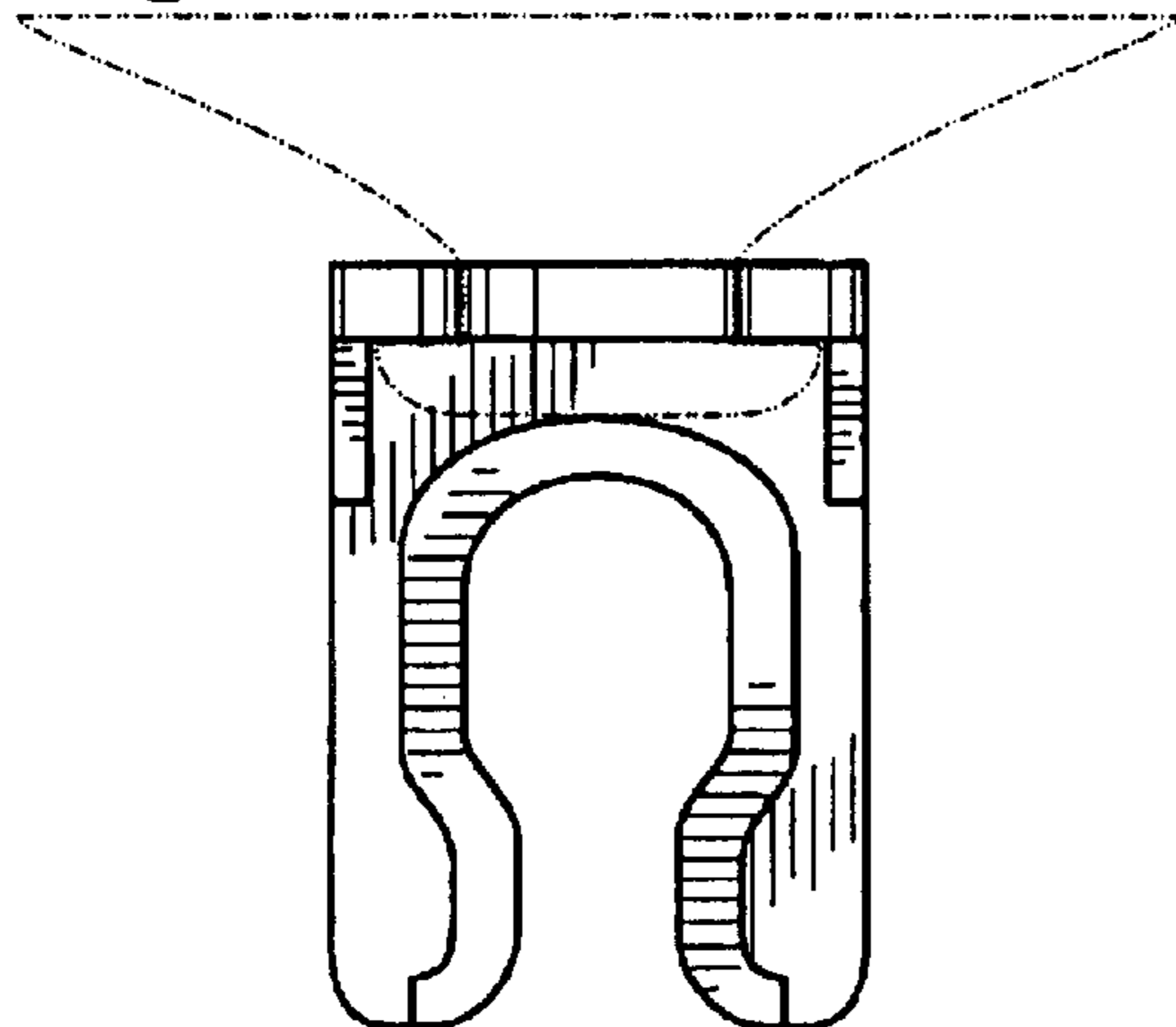


Fig. 7

