

US00D498952S

(12) **United States Design Patent**
Strong et al.

(10) **Patent No.:** **US D498,952 S**

(45) **Date of Patent:** **** Nov. 30, 2004**

(54) **SUPPORT FOR A TABLE**

5,358,204 A * 10/1994 Terada 248/164

(75) Inventors: **L. Curtis Strong**, Clearfield, UT (US);
Thayne B. Haney, Syracuse, UT (US)

* cited by examiner

Primary Examiner—Janice E. Seeger

(73) Assignee: **Lifetime Products, Inc.**, Clearfield, UT (US)

(74) *Attorney, Agent, or Firm*—Workman Nydegger

(**) Term: **14 Years**

(57) **CLAIM**

The ornamental design for a support for a table, as shown and described.

(21) Appl. No.: **29/179,789**

DESCRIPTION

(22) Filed: **Apr. 15, 2003**

(51) **LOC (7) Cl.** **06-06**

(52) **U.S. Cl.** **D6/499**

(58) **Field of Search** D6/480–489, 422,
D6/495–499, 429–431; 108/130, 153.1,
155, 156, 157.1, 161, 115, 118, 119, 120,
131; 248/188, 188.1, 188.7, 188.8, 164,
432

FIG. 1 is a perspective view of a support for a table;
FIG. 2 is a top view of the support for a table shown in FIG. 1;
FIG. 3 is a left side view of the support for a table shown in FIG. 1;
FIG. 4 is a right side view of the support for a table shown in FIG. 1;
FIG. 5 is a front view of the support for a table shown in FIG. 1, with the back view being a mirror image thereof; and,
FIG. 6 is a bottom view of the support for a table shown in FIG. 1.

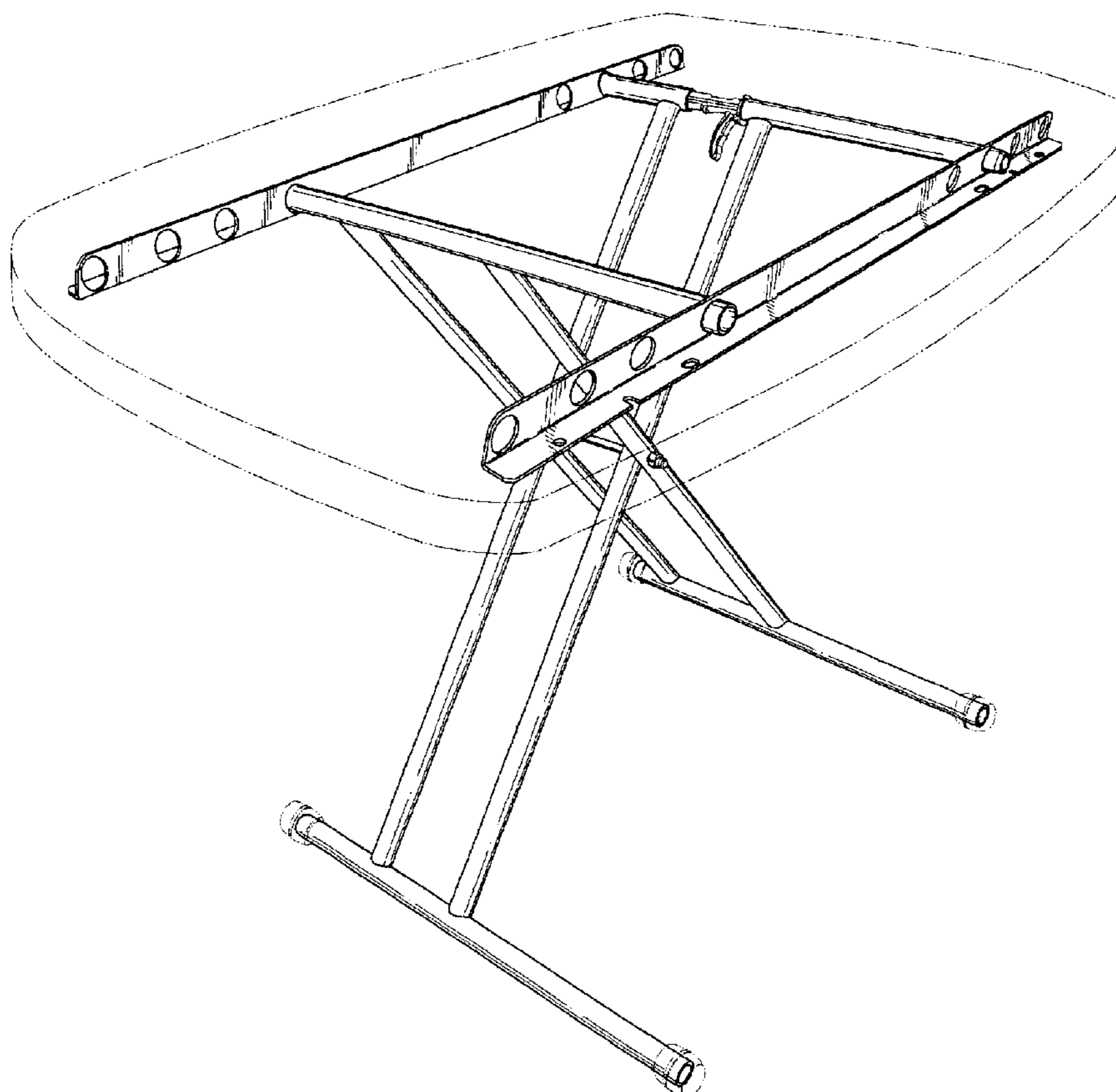
The broken lines shown in the figures are for illustrative purposes only and form no part of the claimed design.

(56) **References Cited**

U.S. PATENT DOCUMENTS

- 2,692,807 A * 10/1954 Cordola 108/120
- 3,031,243 A * 4/1962 Crevoi 108/120
- 3,224,389 A * 12/1965 Kent 108/119
- D233,392 S * 10/1974 Hutchison D6/420

1 Claim, 5 Drawing Sheets



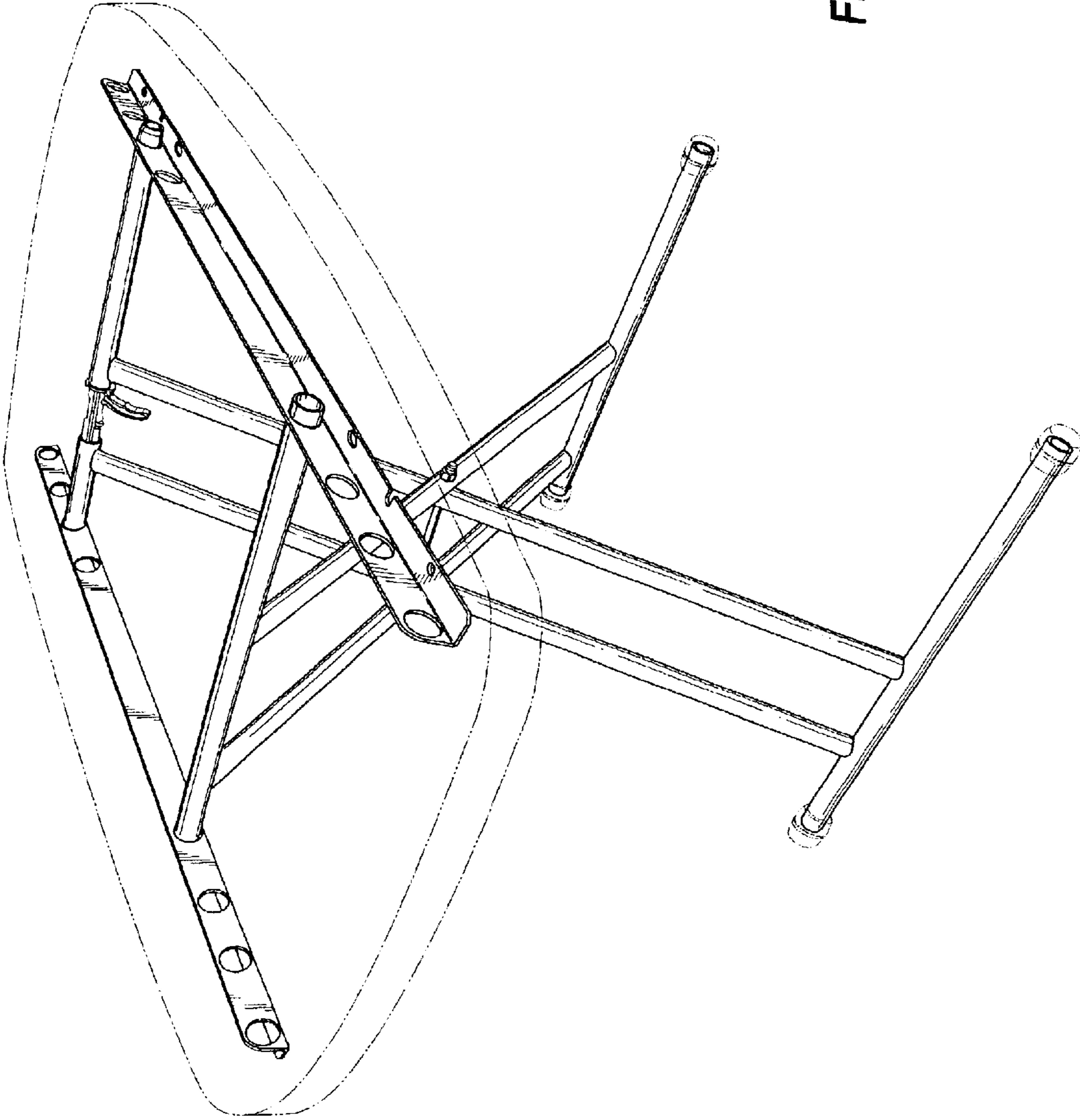


Fig. 1

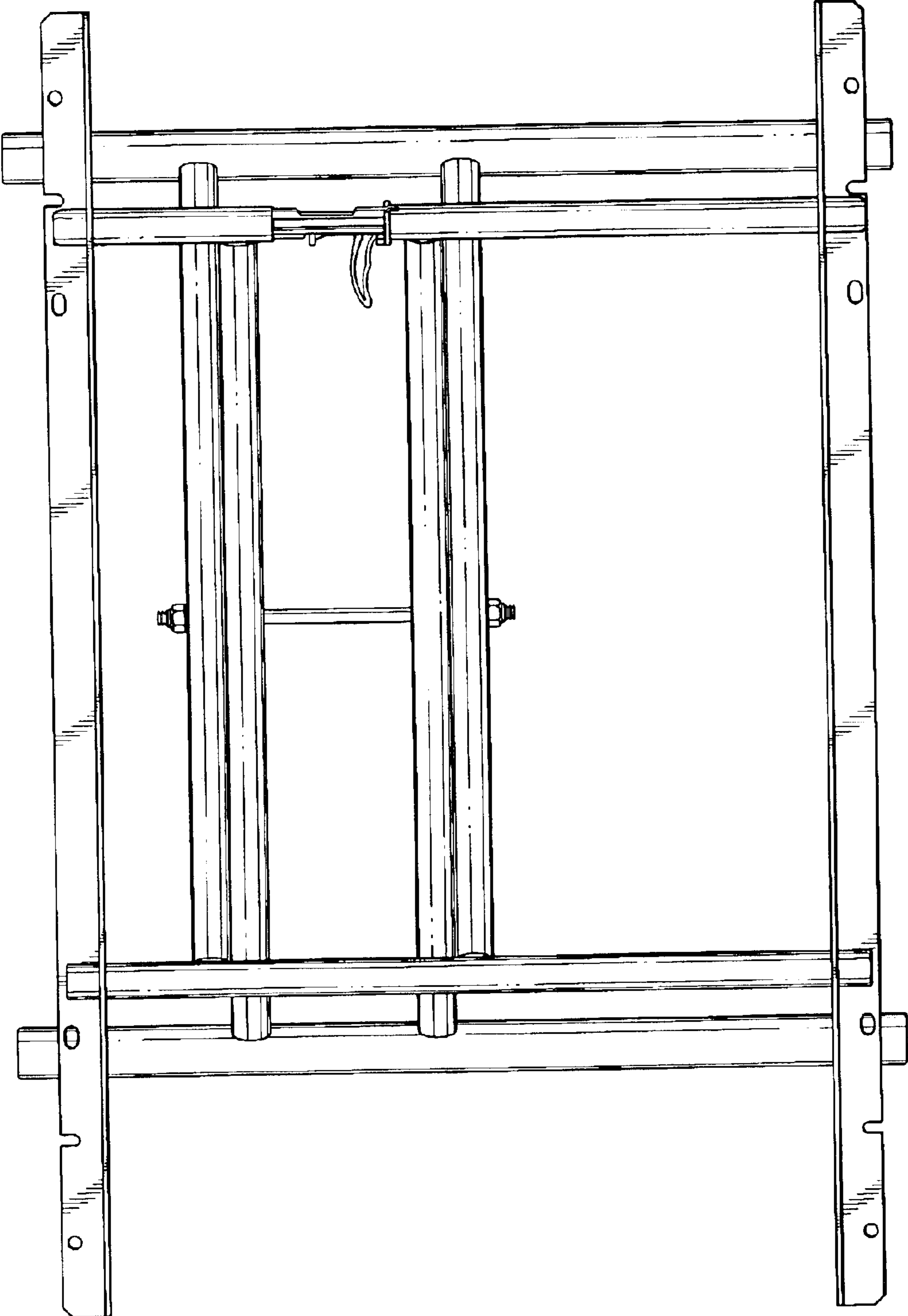


Fig. 2

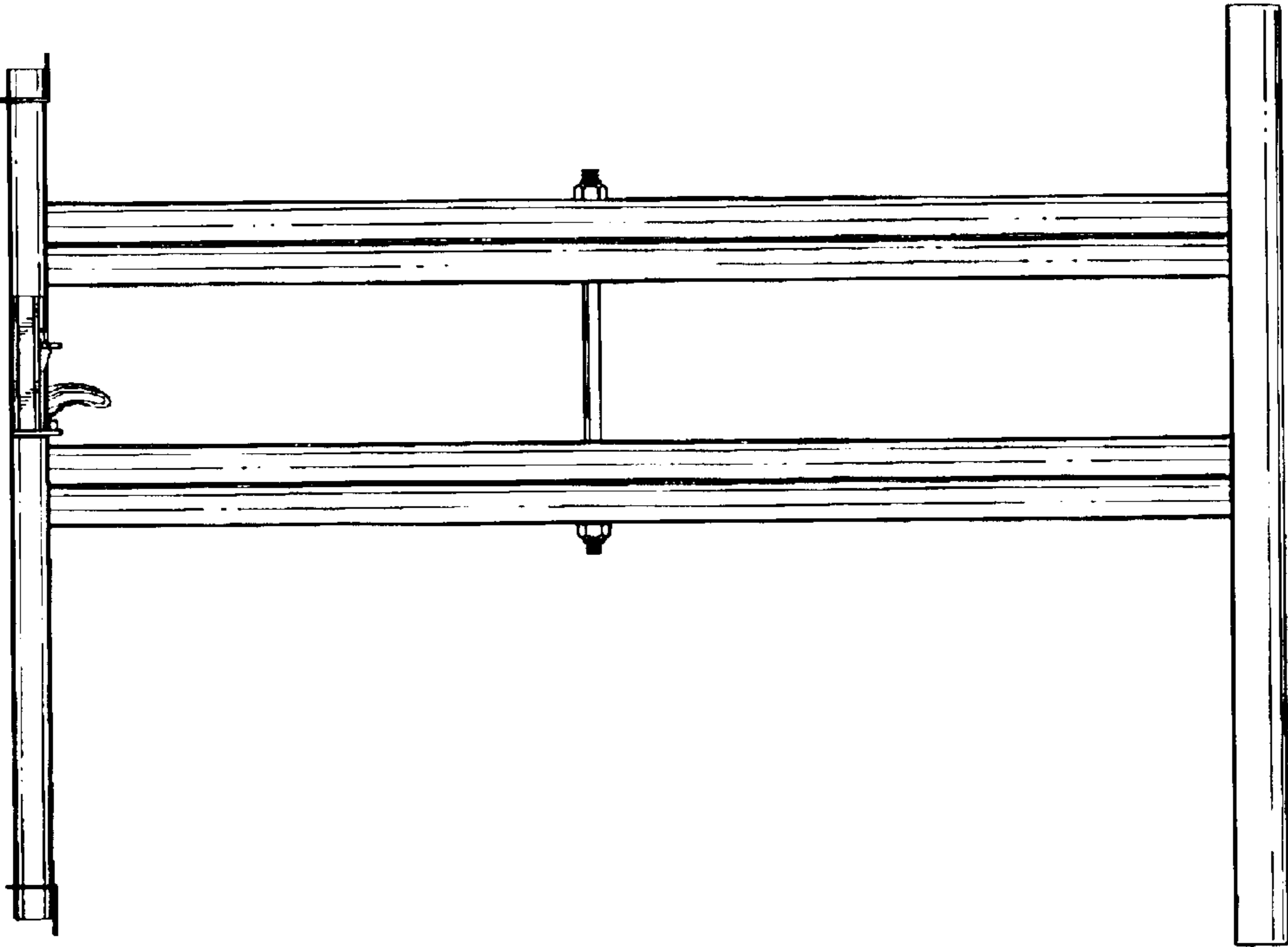


Fig. 4

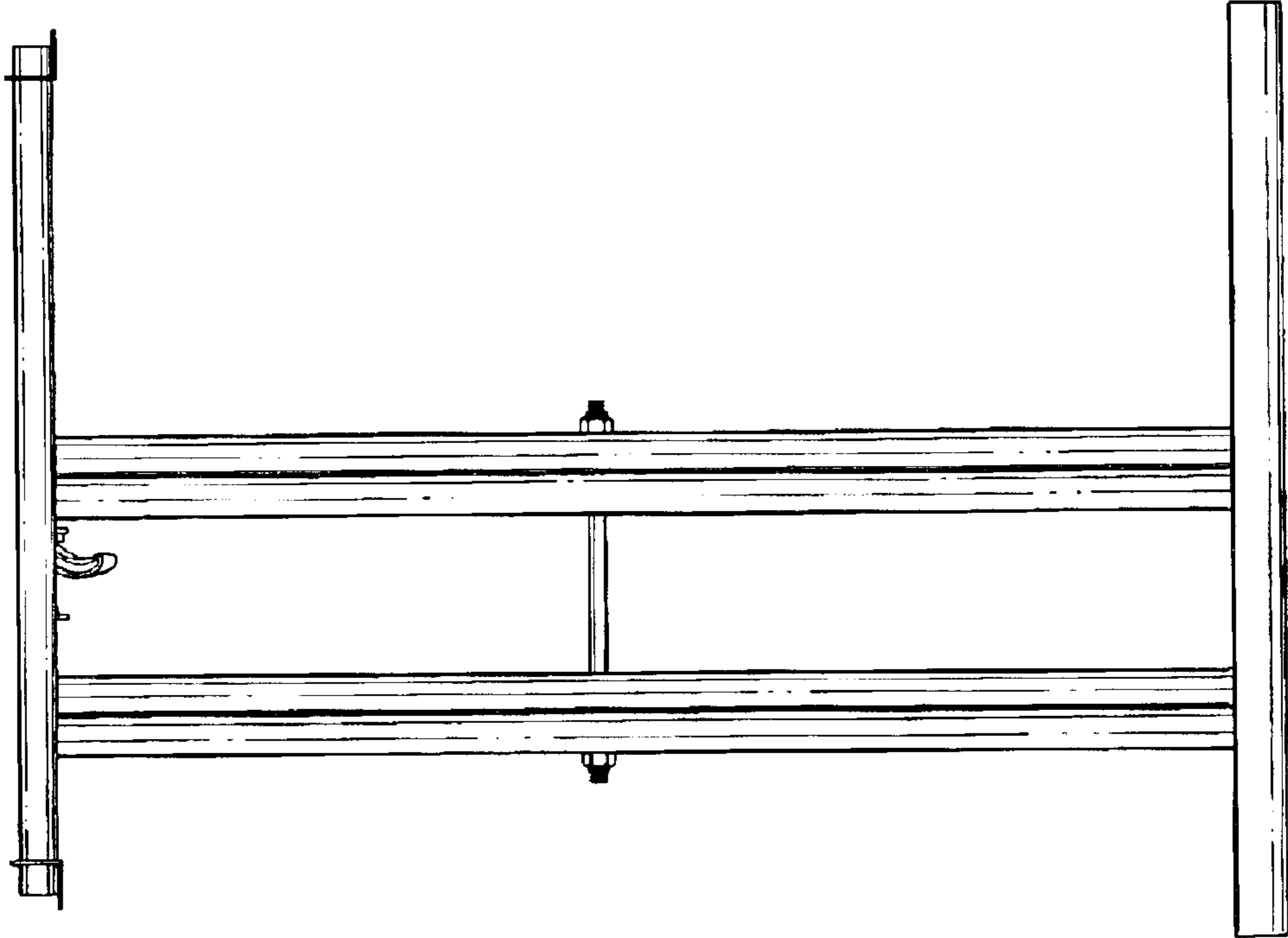


Fig. 3

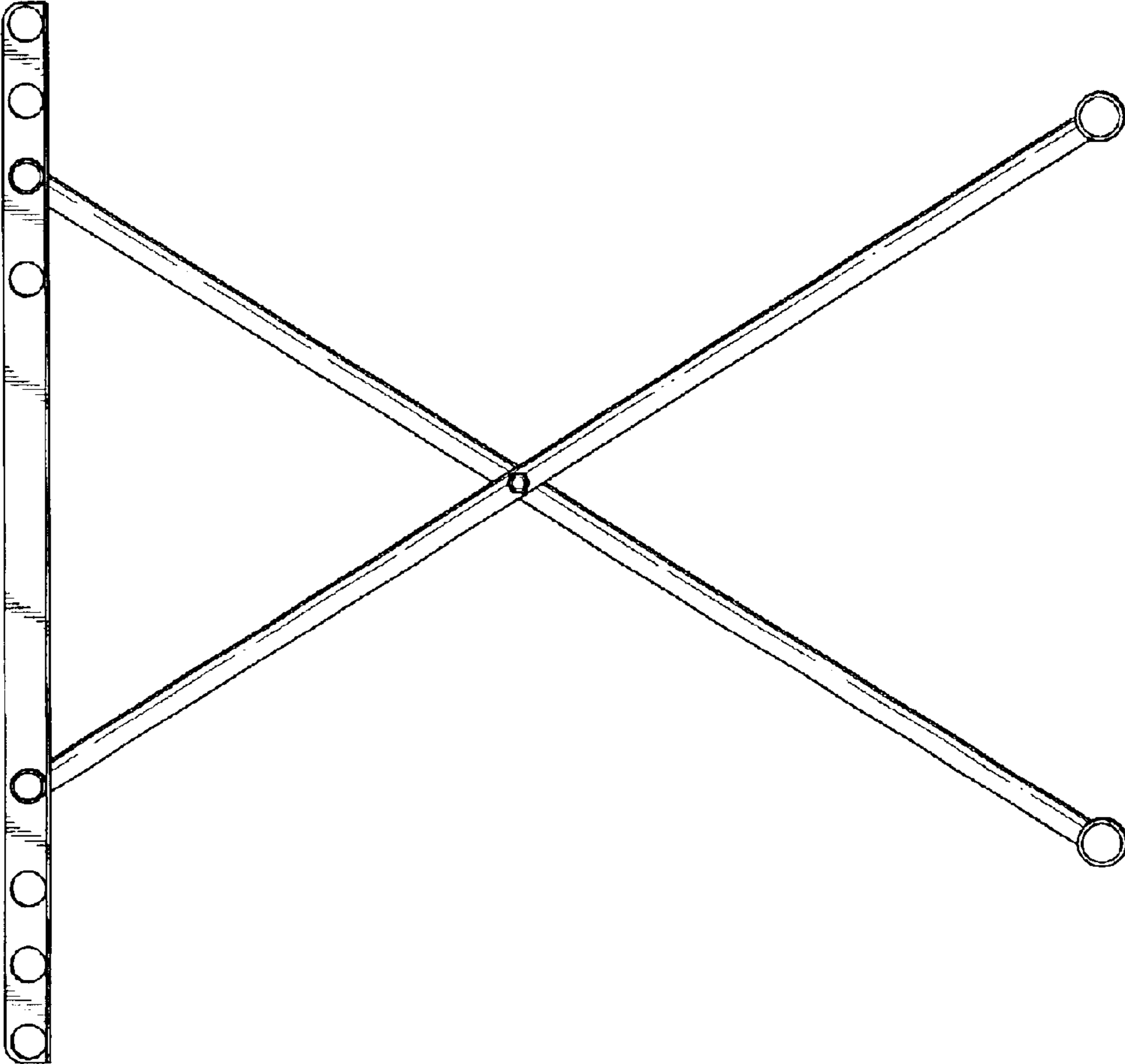


Fig. 5

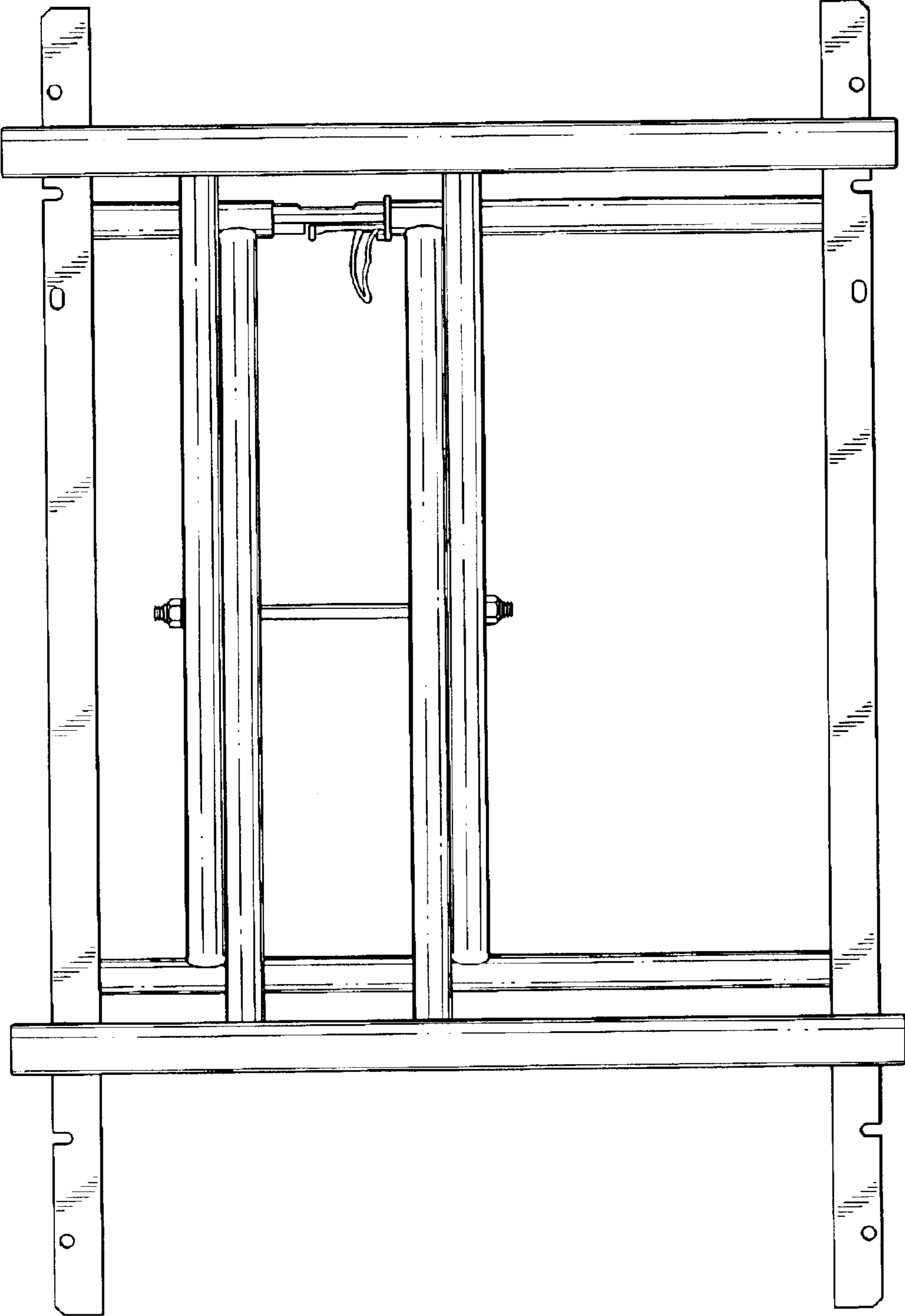


Fig. 6