

US00D498950S

(12) **United States Design Patent**
Lenger

(10) **Patent No.: US D498,950 S**

(45) **Date of Patent: ** Nov. 30, 2004**

(54) **CLOVERLEAF TABLE COMPONENT**

(75) Inventor: **Sidney A. Lenger**, Kernersville, NC
(US)

(73) Assignee: **American Signature, Inc.**, Columbus,
OH (US)

(**) Term: **14 Years**

(21) Appl. No.: **29/203,613**

(22) Filed: **Apr. 16, 2004**

Related U.S. Application Data

(62) Division of application No. 29/195,473, filed on Dec. 11, 2003, now Pat. No. Des. 495,174, which is a division of application No. 29/183,741, filed on Jun. 17, 2003, now Pat. No. Des. 487,206, which is a division of application No. 29/174,278, filed on Jan. 15, 2003, now Pat. No. Des. 479,418, which is a division of application No. 29/161,873, filed on Jun. 5, 2002, now Pat. No. Des. 476,174.

(51) **LOC (7) Cl.** **06-06**

(52) **U.S. Cl.** **D6/484**

(58) **Field of Search** D6/480-489, 511,
D6/477, 479, 460, 461, 441, 436, 437;
108/153.1, 155, 156, 157, 161; 248/188,
188.1, 188.8

(56) **References Cited**

U.S. PATENT DOCUMENTS

D254,822 S 4/1980 Crespi D6/460

D268,715 S	4/1983	Curry	D6/486
D331,673 S	12/1992	Faber	D6/441
D461,656 S	8/2002	Stanton	D6/488
D469,991 S	2/2003	Stanton	D6/486
D476,174 S	6/2003	Lenger	D6/484
D479,418 S	9/2003	Lenger	D6/511
D487,206 S	3/2004	Lenger	D6/511

Primary Examiner—Janice Seeger
(74) *Attorney, Agent, or Firm*—Wood, Herron & Evans,
L.L.P.

(57) **CLAIM**

The ornamental design for a cloverleaf table component, as shown and described.

DESCRIPTION

FIG. 1 is a perspective view of a cloverleaf table component incorporating my new design;

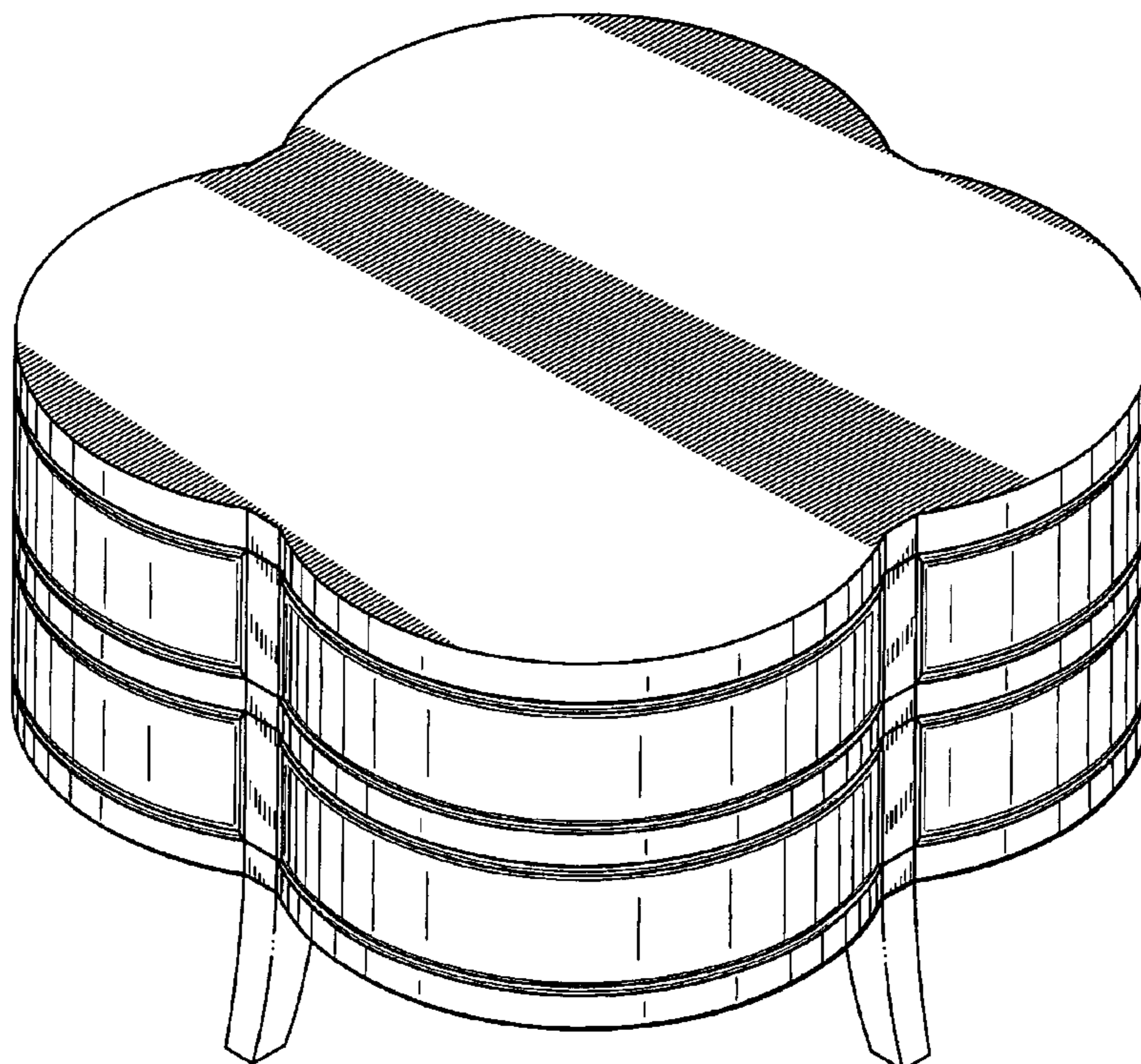
FIG. 2 is a front elevational view thereof, the right-side, left-side and rear elevational views thereof being identical to FIG. 2;

FIG. 3 is a top plan view thereof; and,

FIG. 4 is a bottom plan view thereof.

The broken lines shown in the figures are for illustrative purposes only and form no part of the claimed cloverleaf table component design.

1 Claim, 3 Drawing Sheets



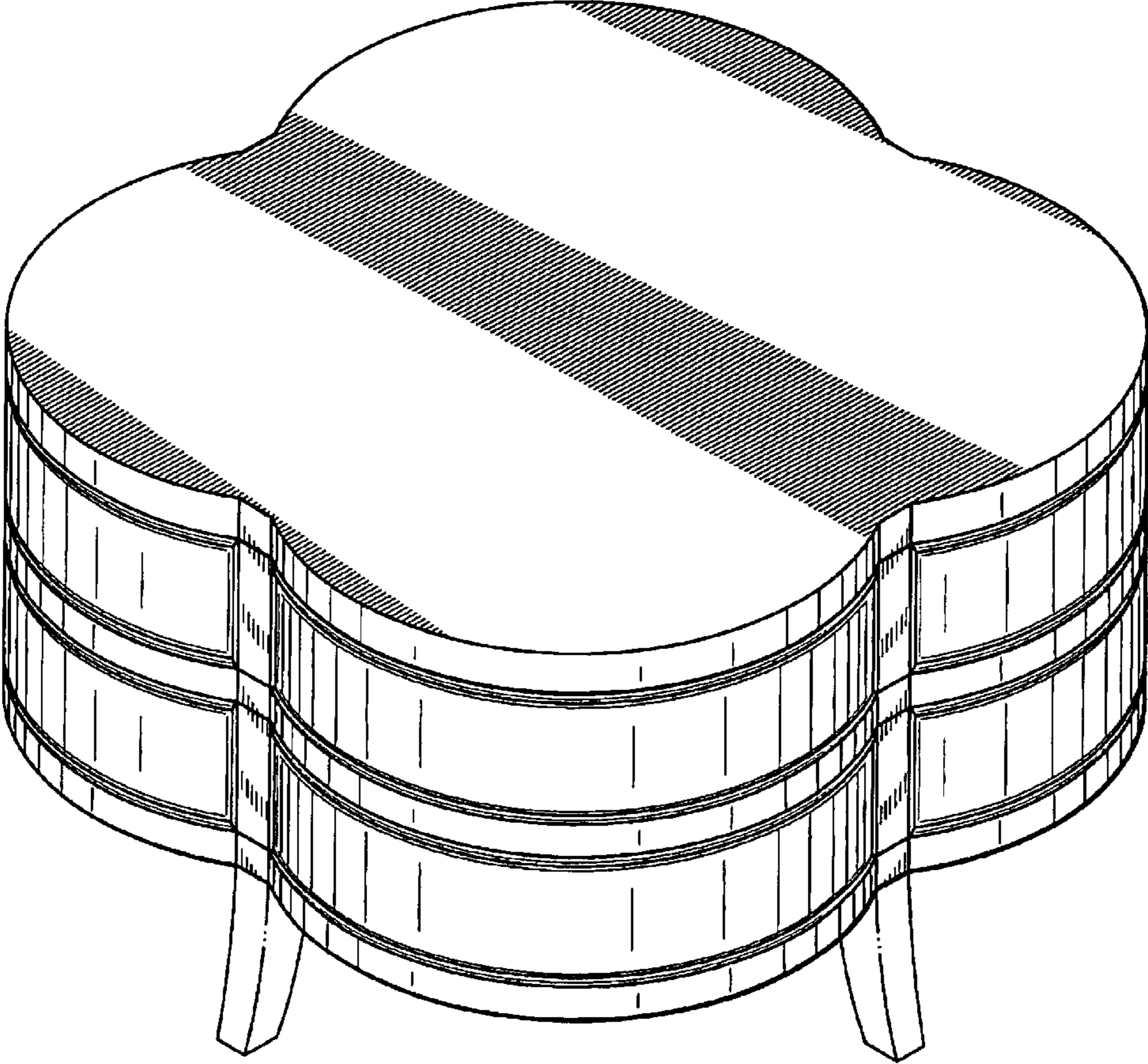


FIG. 1

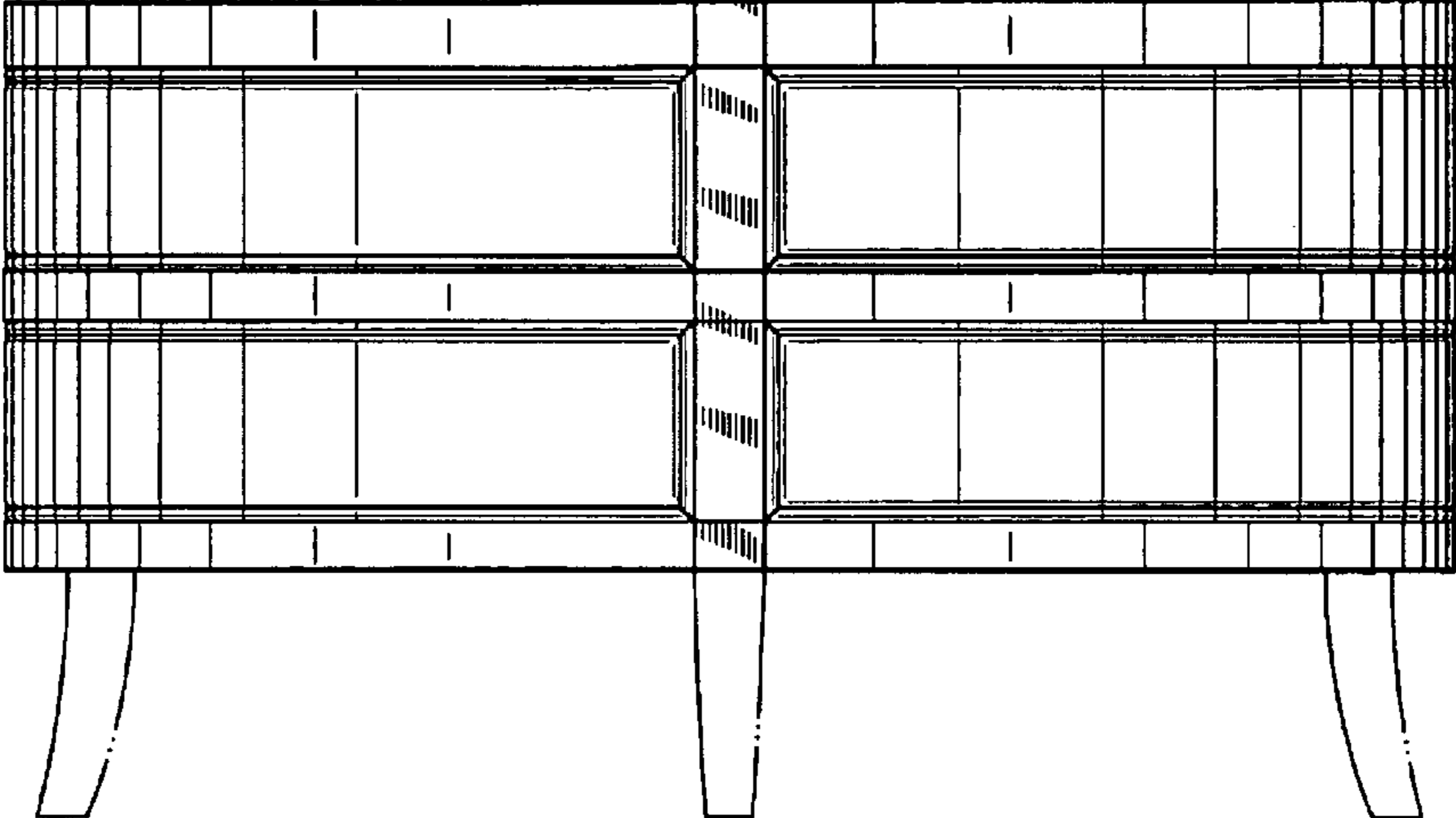


FIG. 2

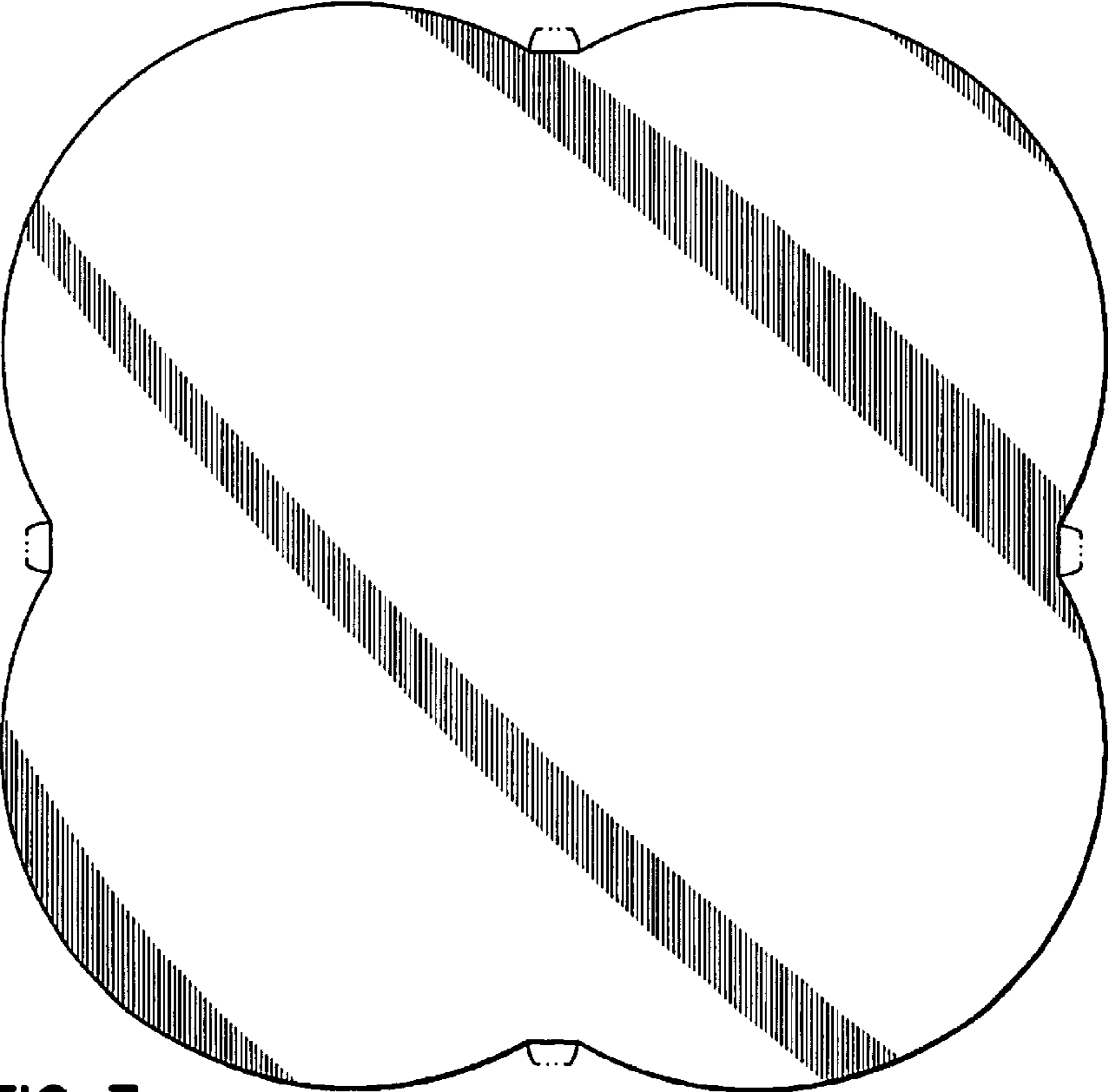


FIG. 3

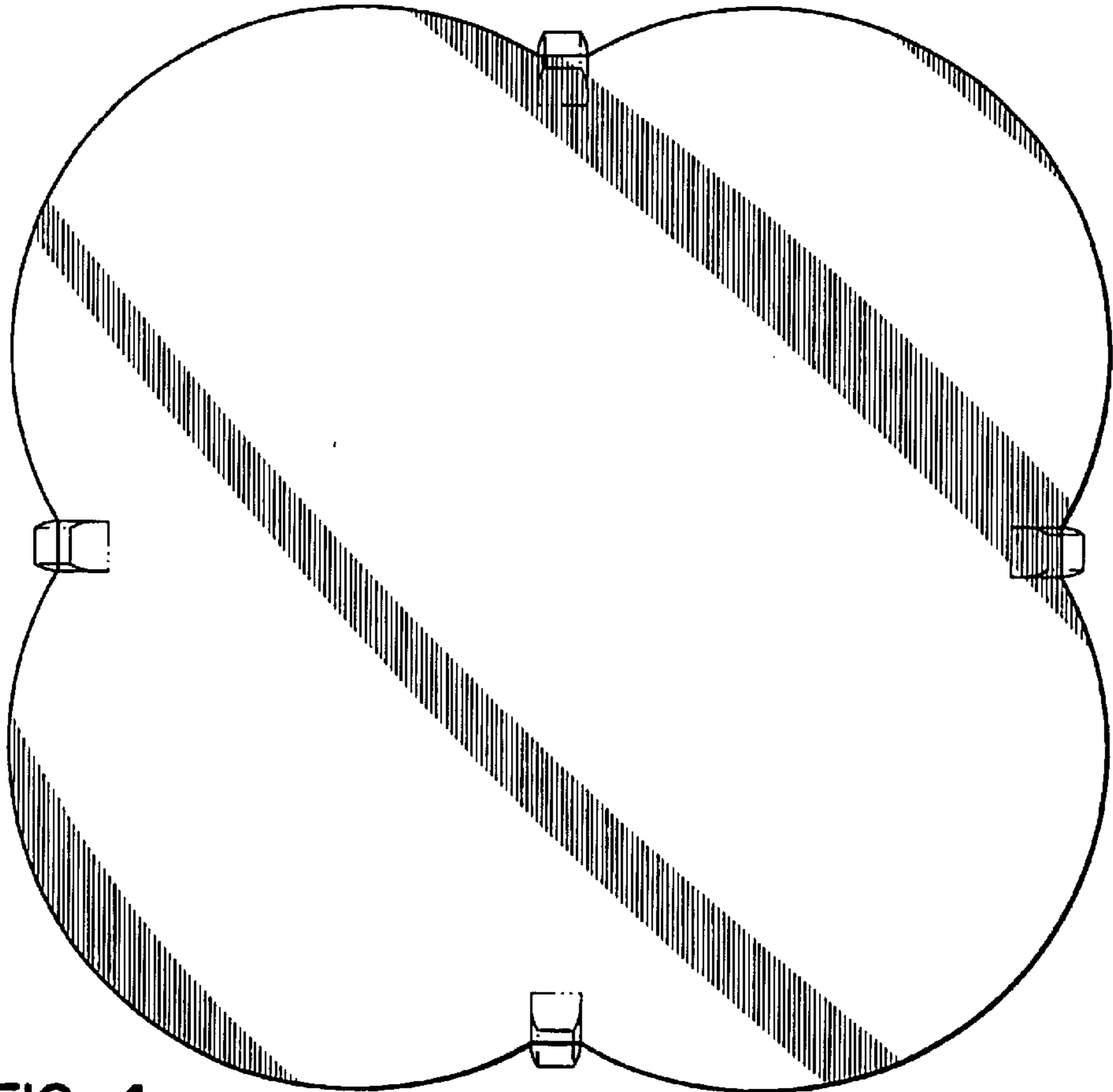


FIG. 4