

US00D498949S

(12) **United States Design Patent**
Frenkler et al.

(10) **Patent No.:** **US D498,949 S**

(45) **Date of Patent:** **** Nov. 30, 2004**

(54) **OFFICE TABLE**

(75) Inventors: **Fritz Frenkler**, Frankfurt am Main (DE); **Anette Ponholzer**, Frankfurt am Main (DE)

(73) Assignee: **Numas Murettin USTA Mobilya Ve Imalat Sanayi Anonim Sirketi**, Akyurt Ankara (TR)

(**) Term: **14 Years**

(21) Appl. No.: **29/178,094**

(22) Filed: **Mar. 20, 2003**

(30) **Foreign Application Priority Data**

Dec. 3, 2002 (TR) 2002 03341

(51) **LOC (7) Cl.** **06-03**

(52) **U.S. Cl.** **D6/484**

(58) **Field of Search** D6/480-489, 511, D6/495, 429; 108/150, 153.1, 155, 156, 157.1, 161; 248/188, 188.1, 188.8

(56) **References Cited**

U.S. PATENT DOCUMENTS

D247,733 S * 4/1978 Robinson D6/484

D256,532 S * 8/1980 Aulenti D6/484
D273,829 S * 5/1984 Desnoyers D6/484
D295,589 S * 5/1988 Walker D6/399
D476,175 S * 6/2003 Jackson D6/484

* cited by examiner

Primary Examiner—Janice E Seeger

(74) *Attorney, Agent, or Firm*—Collen IP; Donald J. Ranft

(57) **CLAIM**

The ornamental design for an office table, as shown and described.

DESCRIPTION

FIG. 1 is a perspective view of our new and ornamental design for an office table;

FIG. 2 is a top view thereof;

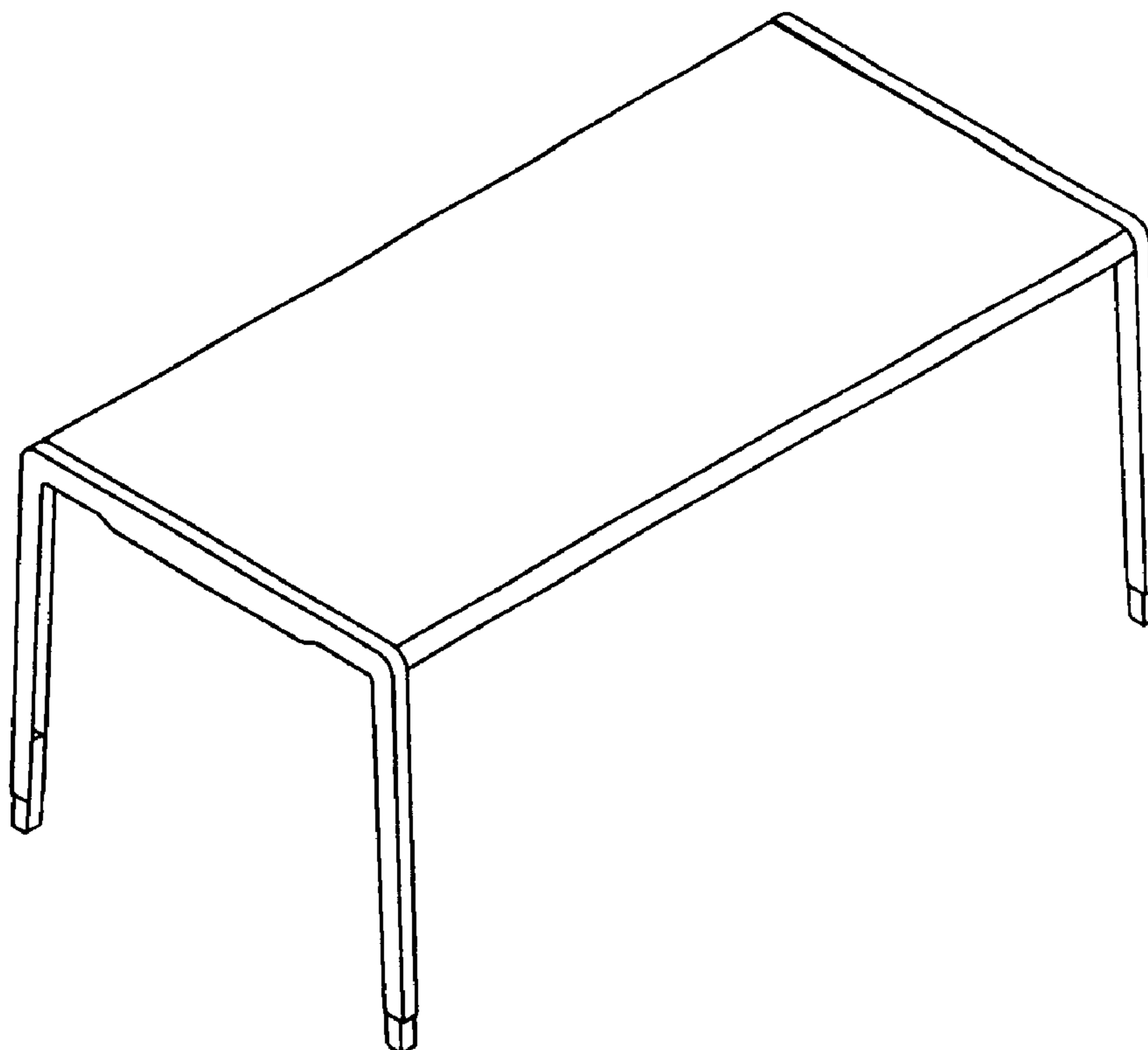
FIG. 3 is a front view thereof;

FIG. 4 is a side view thereof;

FIG. 5 is a bottom view thereof; and,

FIG. 6 is a perspective view of the inside of a leg thereof.

1 Claim, 2 Drawing Sheets



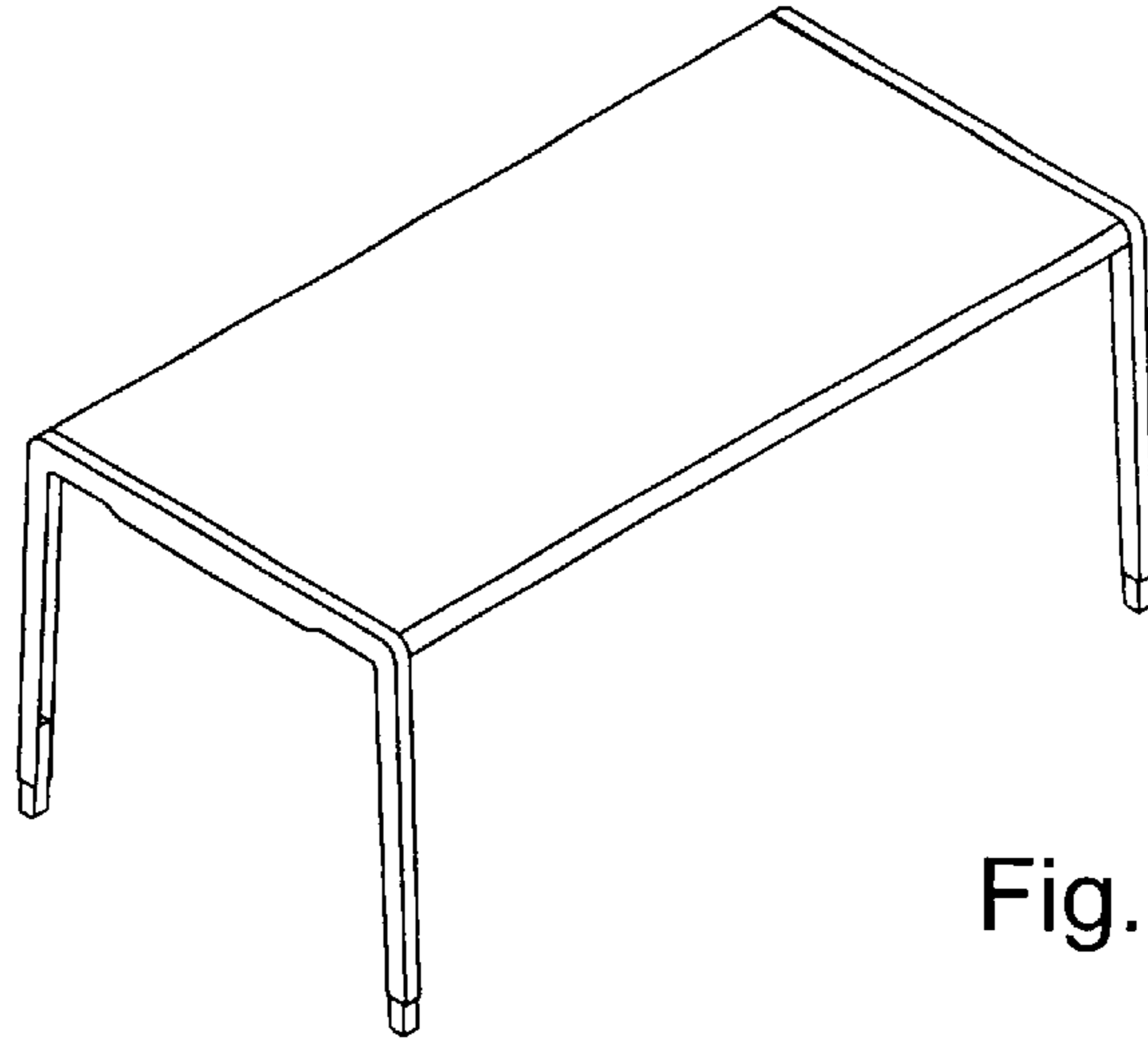


Fig.1

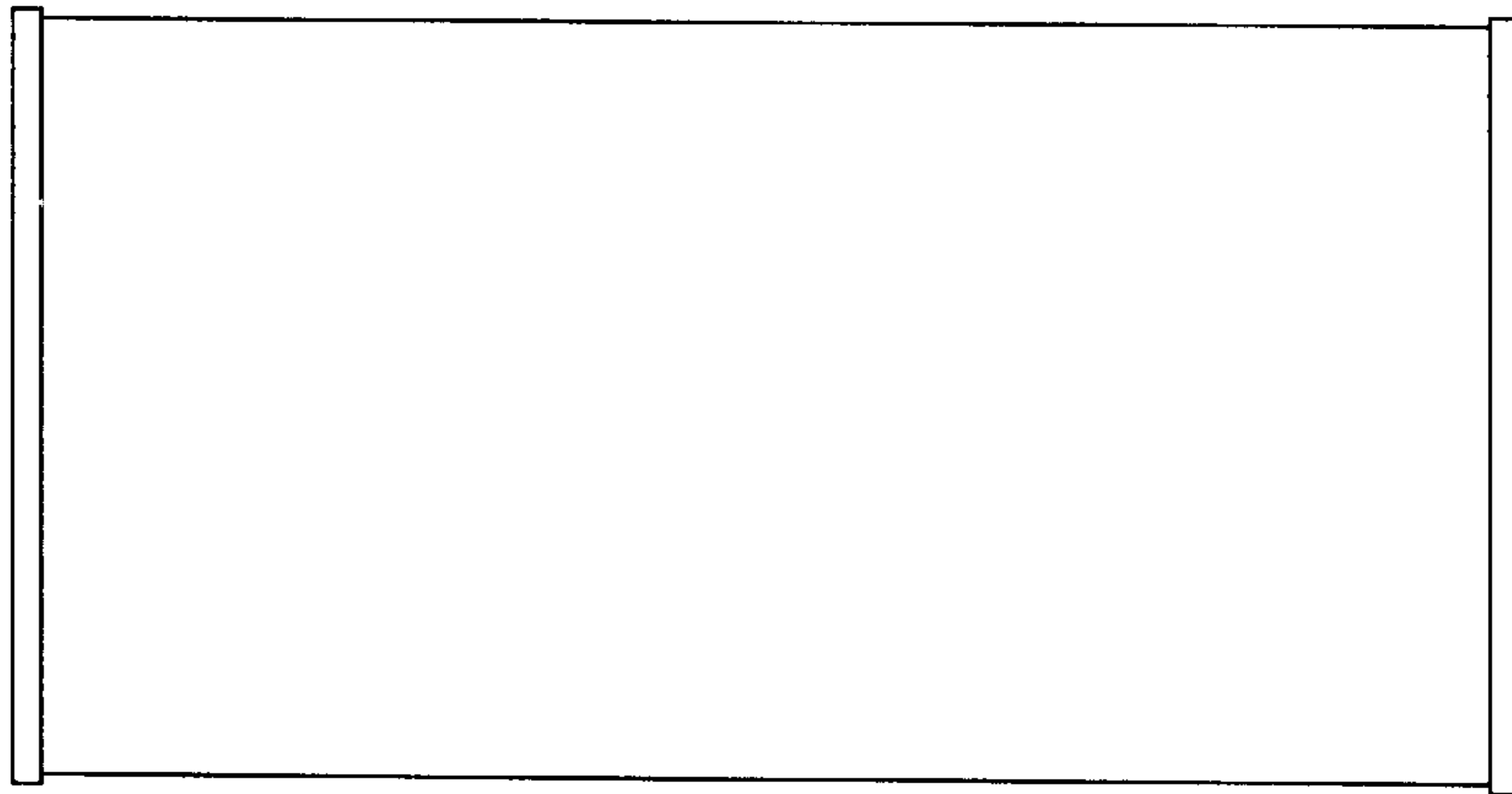


Fig.2

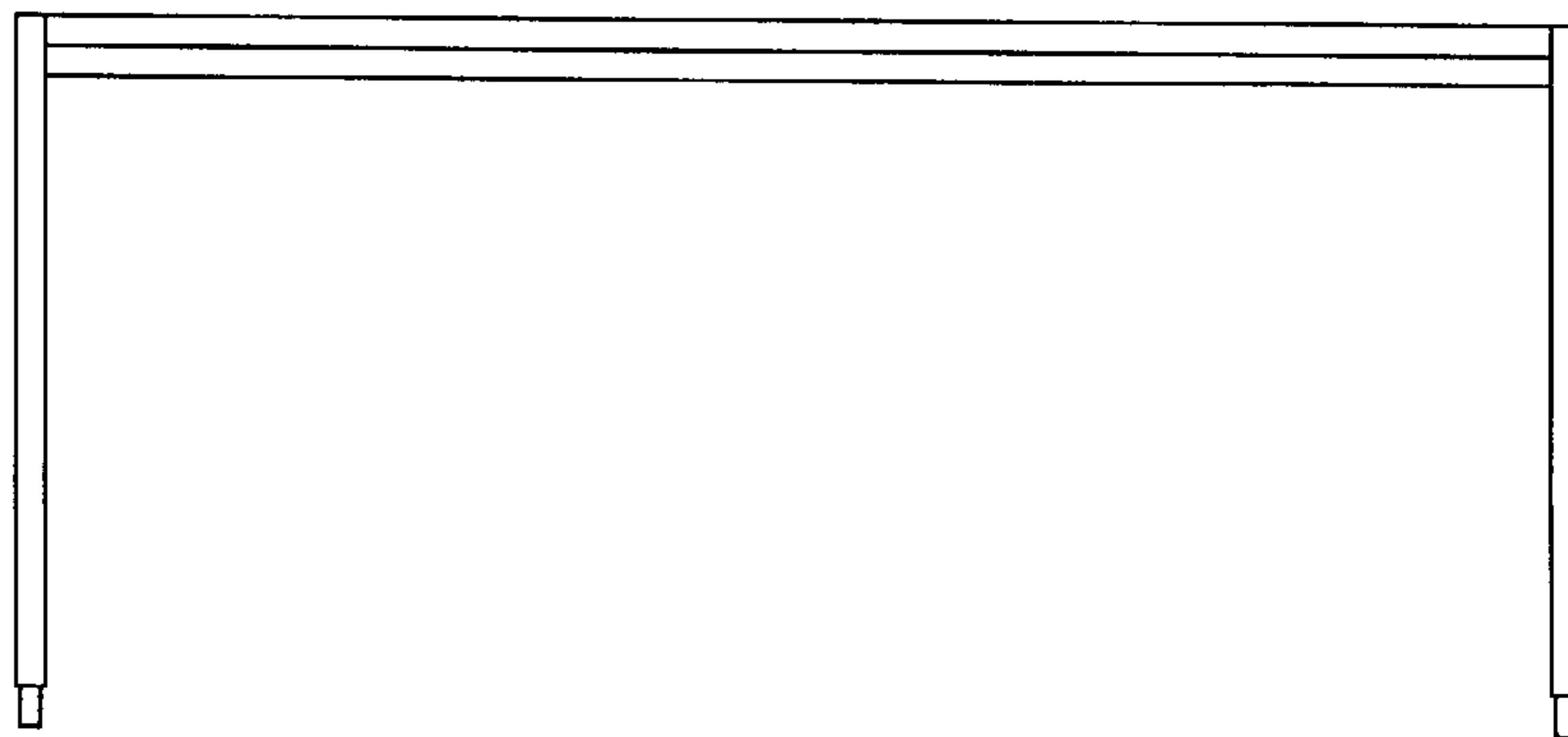


Fig.3

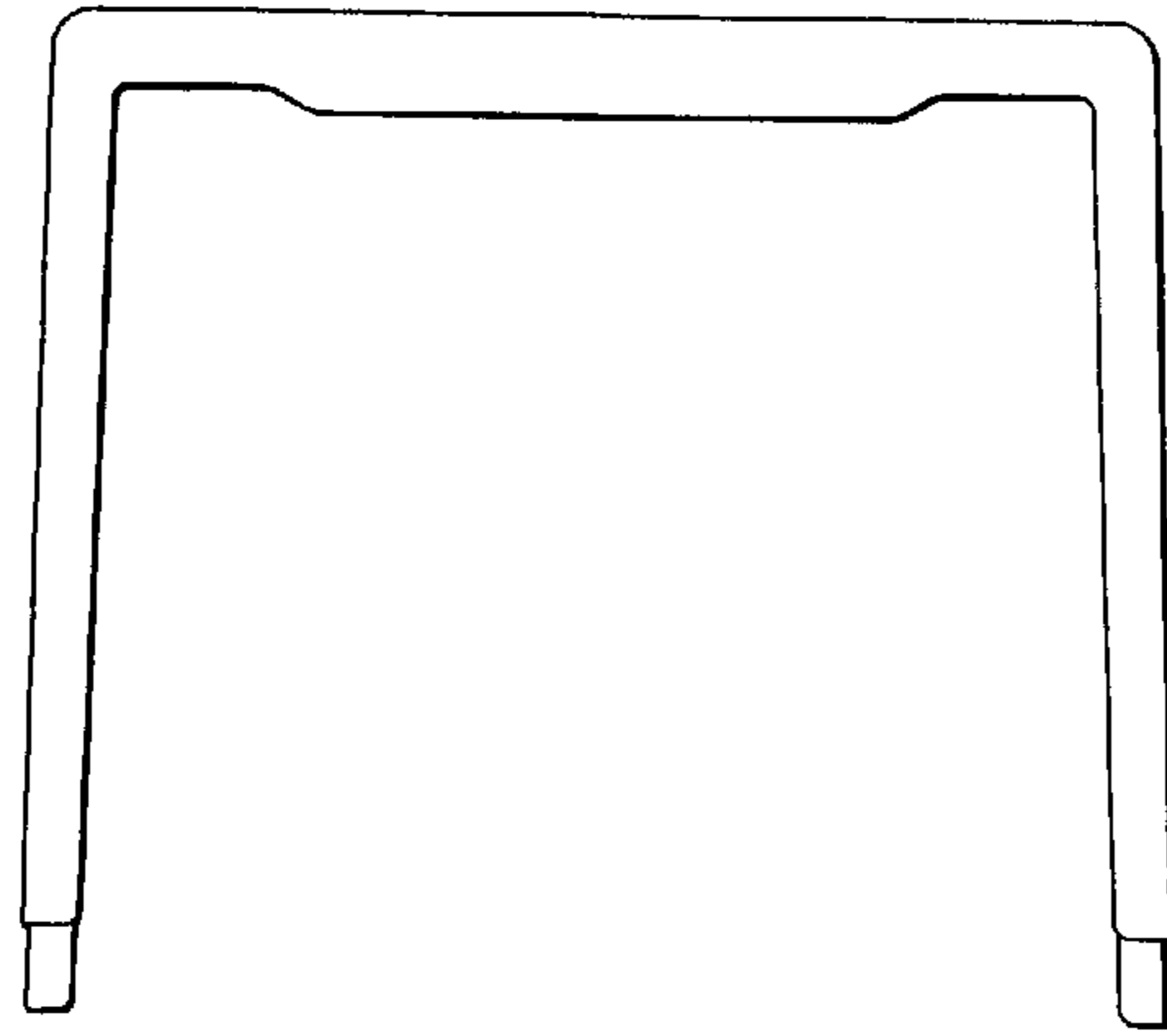


Fig.4

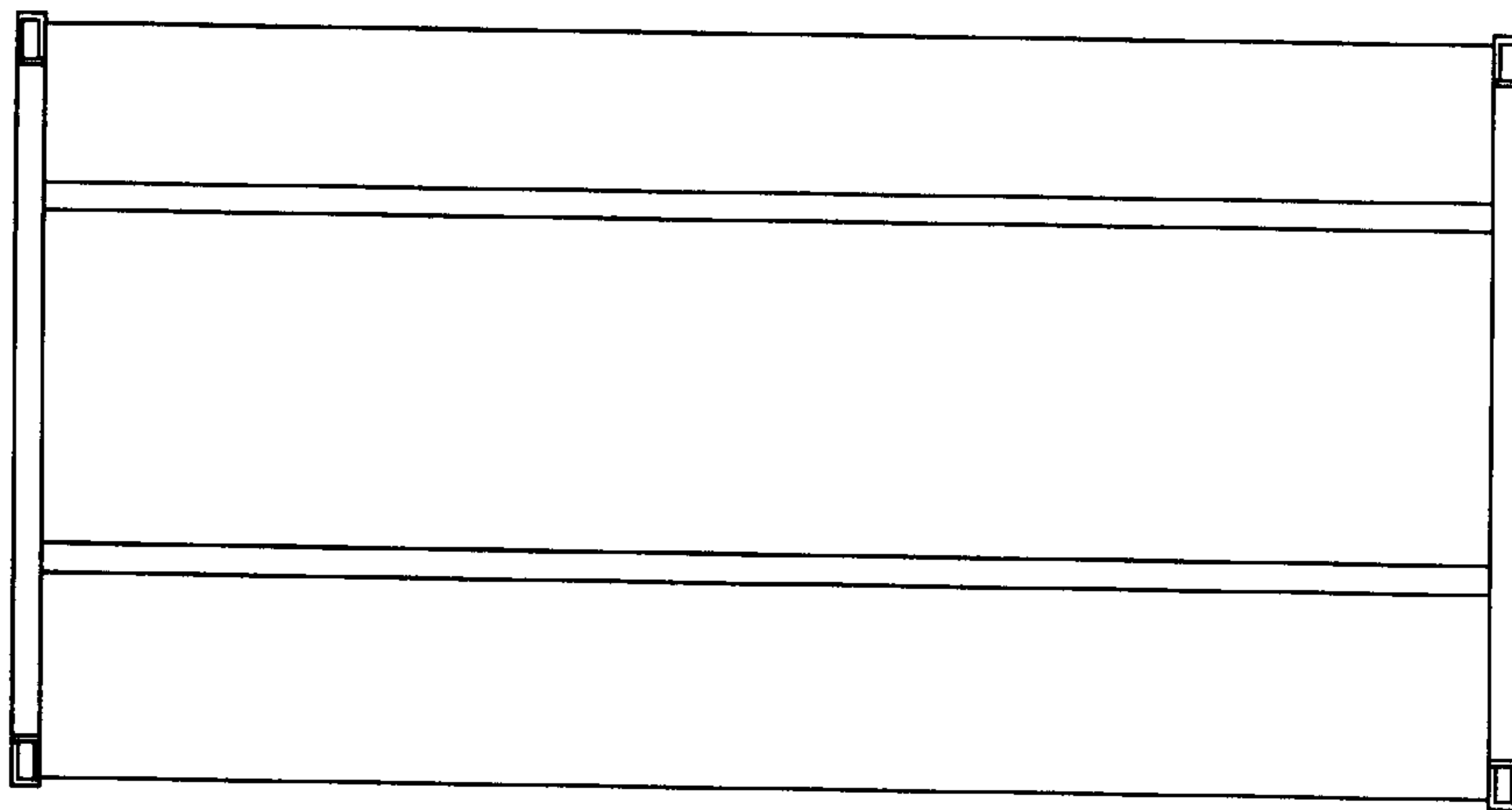


Fig.5

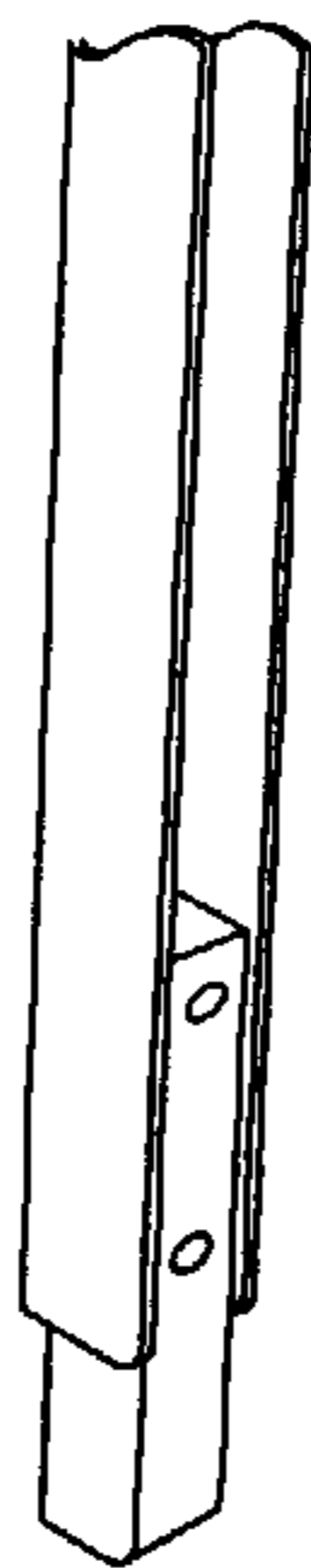


Fig.6

UNITED STATES PATENT AND TRADEMARK OFFICE
CERTIFICATE OF CORRECTION

PATENT NO. : Des. 498,949 S
DATED : November 30, 2004
INVENTOR(S) : Frenkler et al.

Page 1 of 1

It is certified that error appears in the above-identified patent and that said Letters Patent is hereby corrected as shown below:

Title page,

Item [73], Assignee, delete “**Numas-Murettin**” and substitute therefor -- **Numas-Nurettin** --.

Signed and Sealed this

Third Day of May, 2005

A handwritten signature in black ink on a light gray dotted background. The signature reads "Jon W. Dudas" in a cursive style.

JON W. DUDAS

Director of the United States Patent and Trademark Office