

US00D498944S

(12) **United States Design Patent**  
**Bodechon**

(10) **Patent No.: US D498,944 S**

(45) **Date of Patent: \*\* Nov. 30, 2004**

(54) **FLOWER HOLDER**

(76) Inventor: **Jean-Luc Bodechon**, 56 rue de  
Marechal Joffre, 59530 Le Quesnoy  
(FR)

(\*\*) Term: **14 Years**

(21) Appl. No.: **29/179,392**

(22) Filed: **Apr. 9, 2003**

(51) **LOC (7) Cl. .... 06-04**

(52) **U.S. Cl. .... D6/403**

(58) **Field of Search** ..... D6/403-405, 449,  
D6/462; D11/143, 144, 147; 47/39, 41.01,  
41.13, 78, 85; 206/423; 248/27.8, 146,  
152, 153, 339; 211/126.1, 126.9; 220/485,  
491

(56) **References Cited**

**U.S. PATENT DOCUMENTS**

1,623,646 A \* 4/1927 Verdery ..... 47/41.01

D146,986 S \* 6/1947 Purcell ..... 47/41.13  
D249,004 S \* 8/1978 Crouse ..... D6/405  
5,327,676 A \* 7/1994 Kosky ..... 47/39  
D353,499 S \* 12/1994 Schwallenstecker ..... D6/449  
5,996,947 A \* 12/1999 Palmieri, III ..... 248/146  
D485,449 S \* 1/2004 Missry ..... D6/405

\* cited by examiner

*Primary Examiner*—Mimosa De

(74) *Attorney, Agent, or Firm*—Harrison & Egbert

(57) **CLAIM**

I claim the ornamental design for flower holder, as shown  
and described.

**DESCRIPTION**

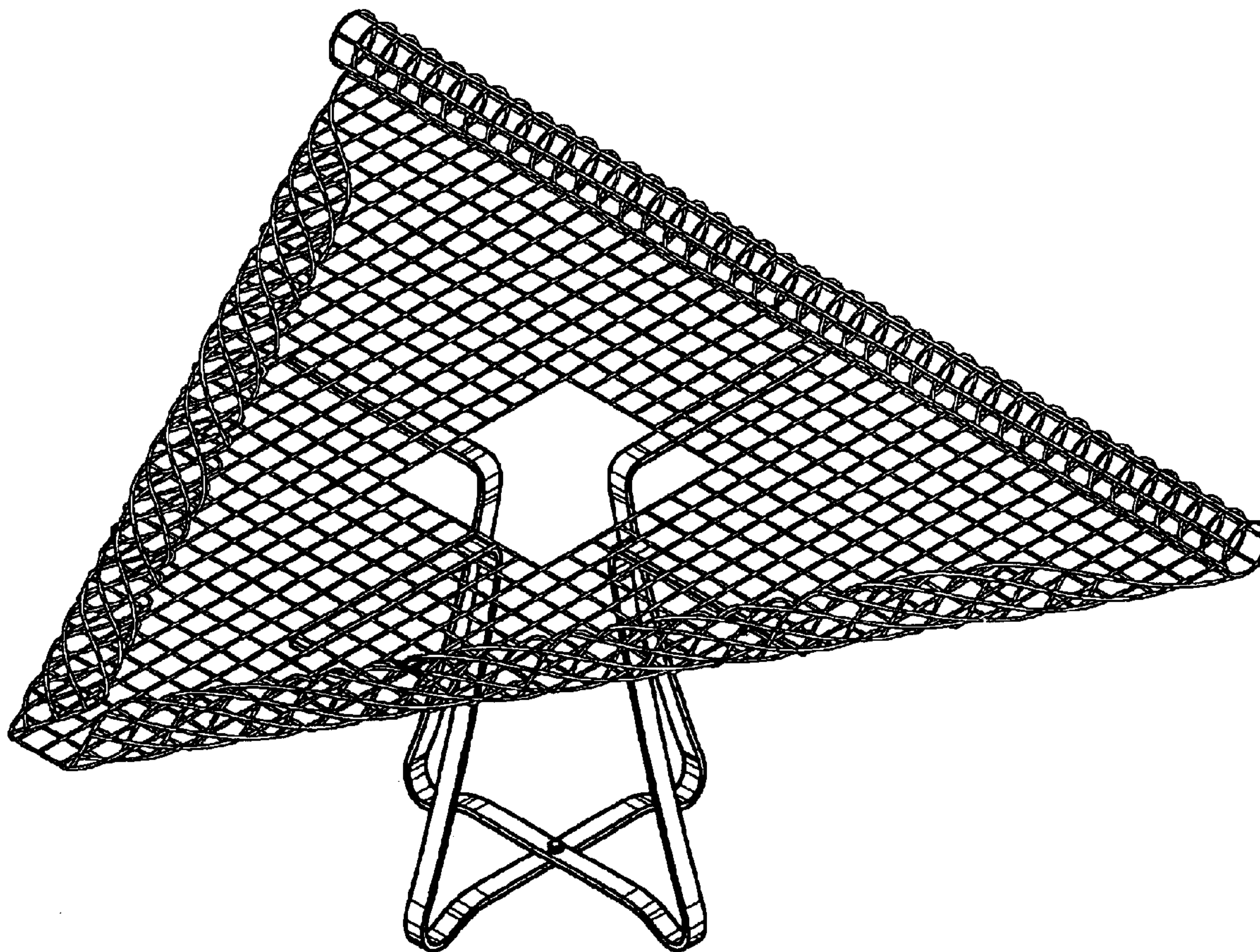
FIG. 1 is an upper perspective view of the flower holder  
showing my design.

FIG. 2 is a side view thereof;

FIG. 3 is a top view thereof; and,

FIG. 4 is a bottom view thereof.

**1 Claim, 3 Drawing Sheets**



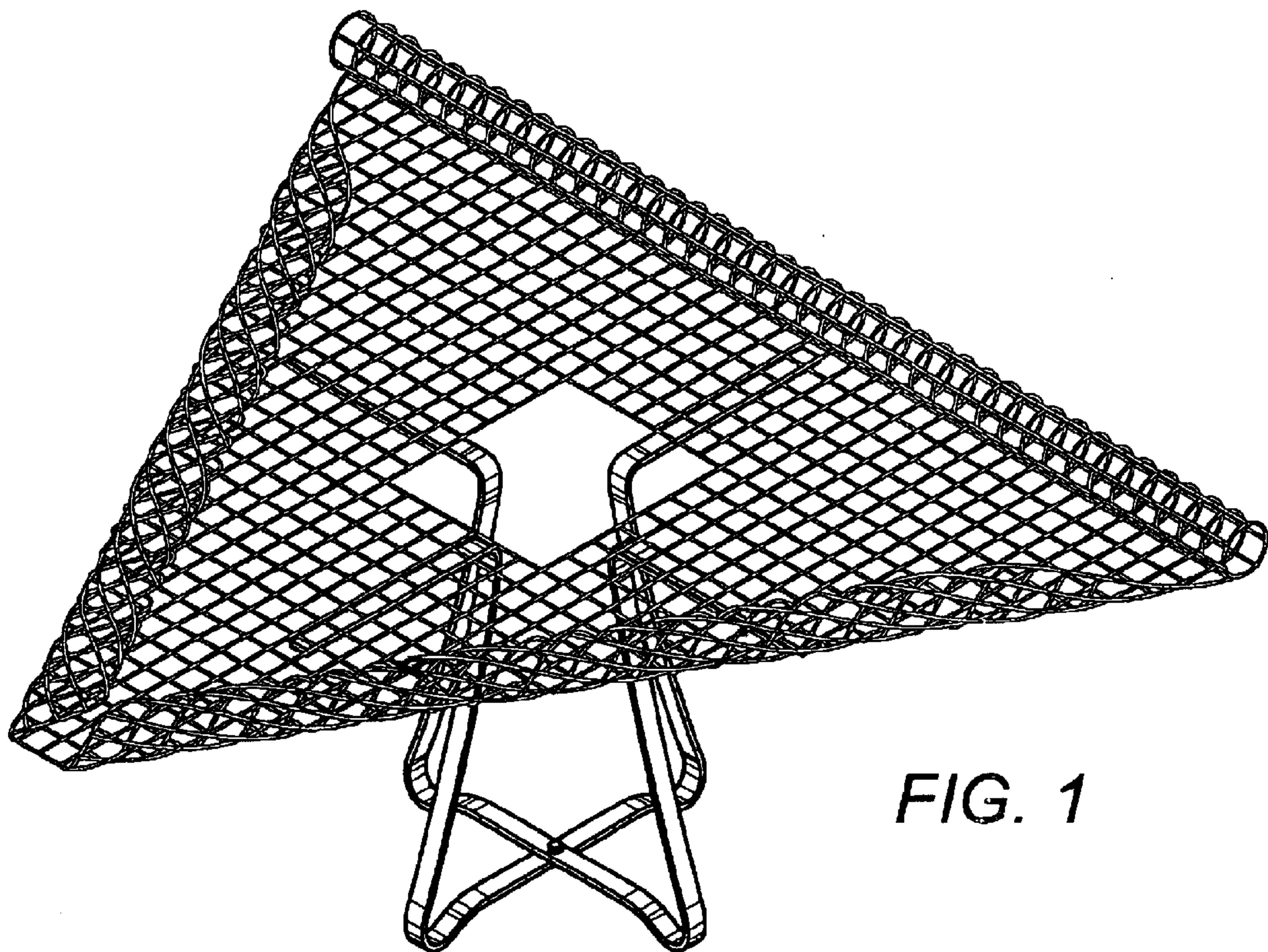


FIG. 1

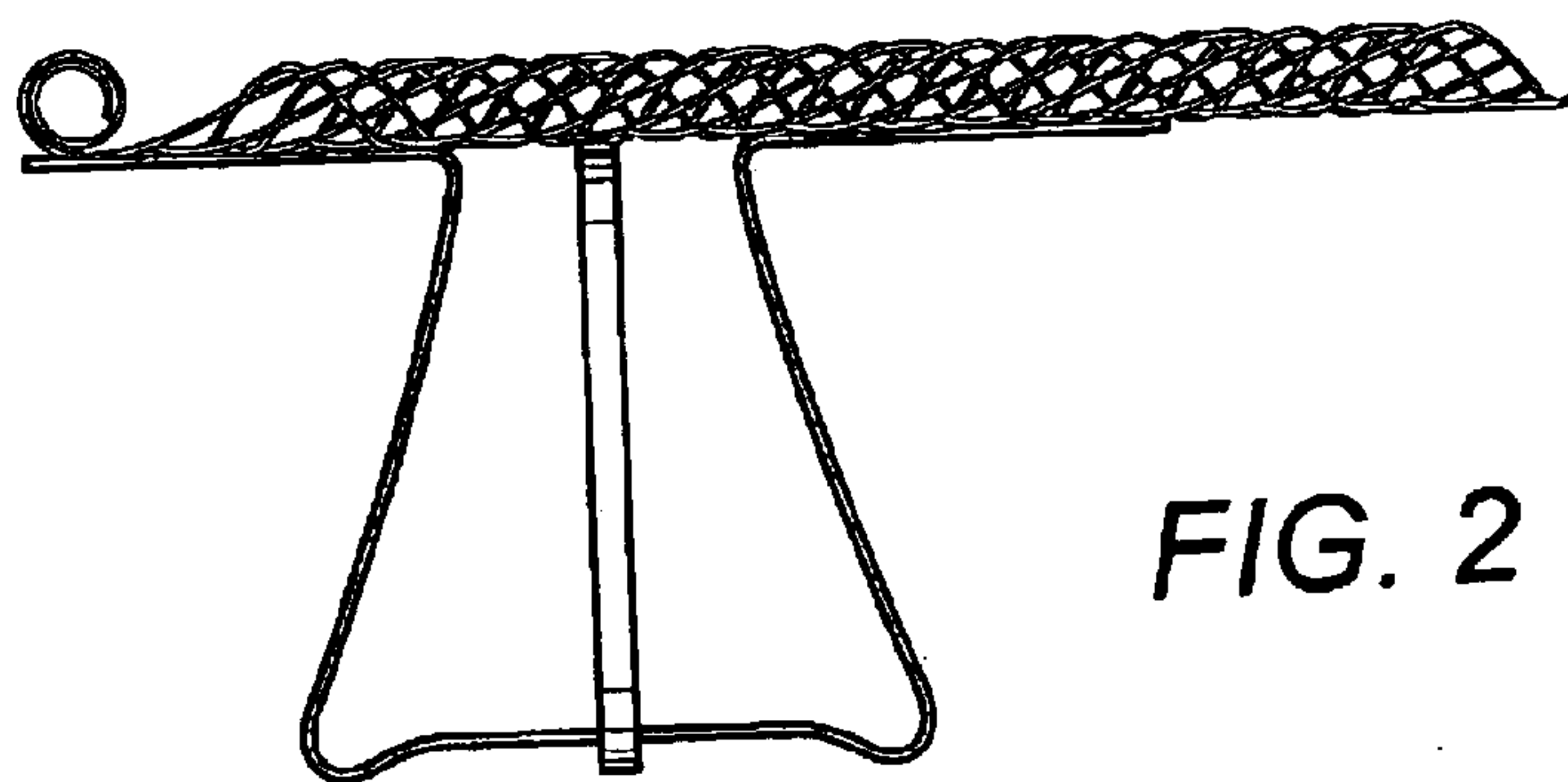
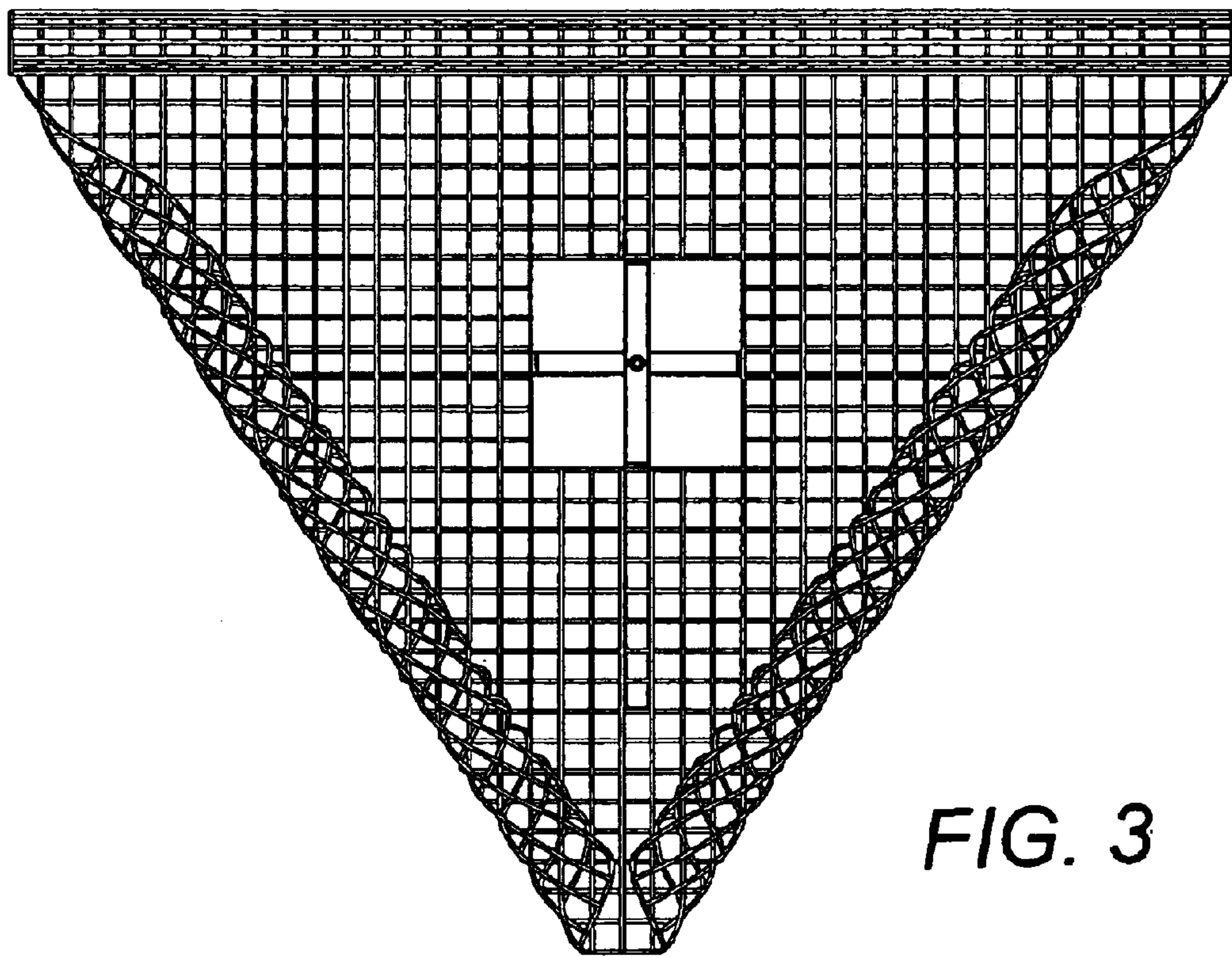


FIG. 2





*FIG. 3*

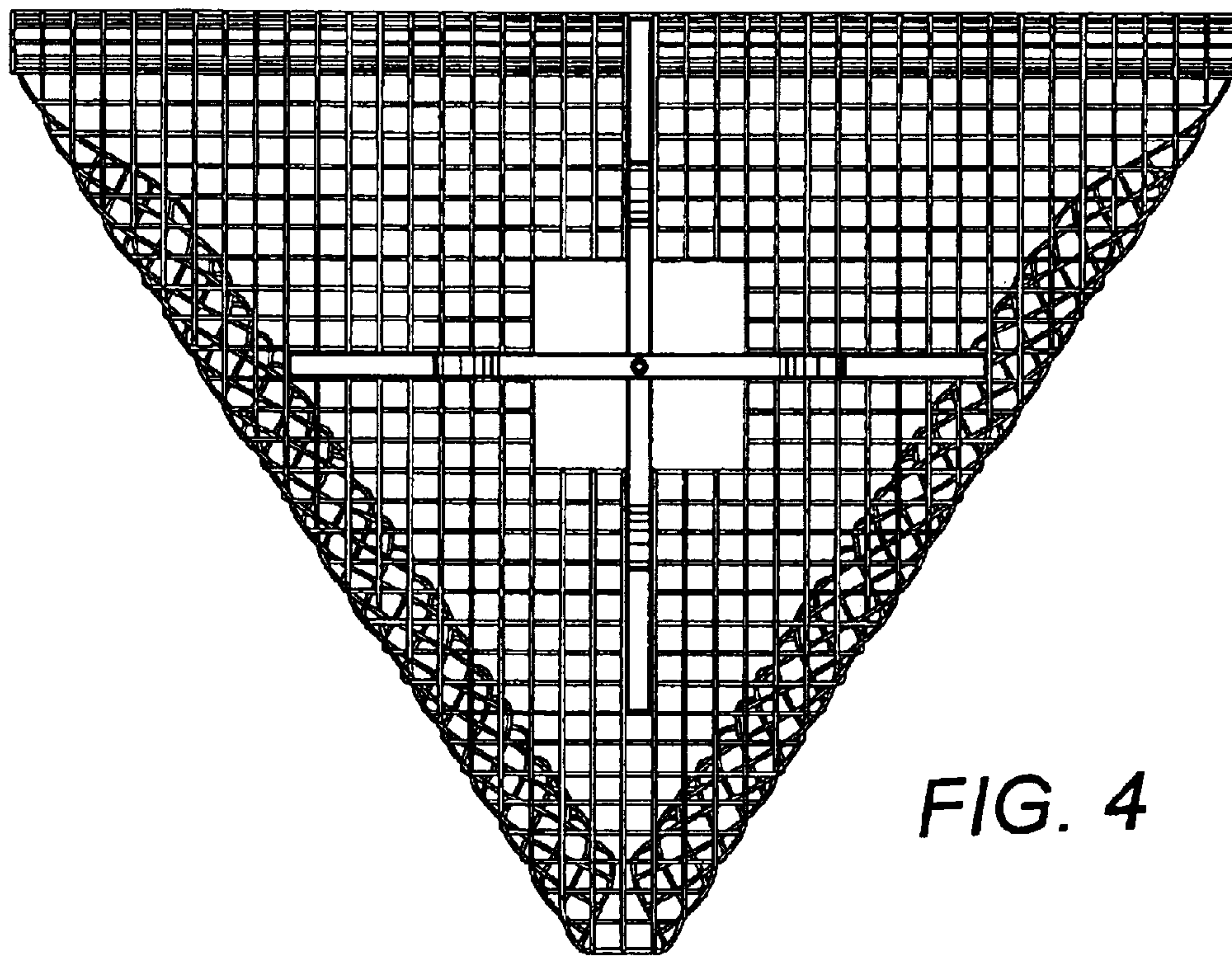


FIG. 4