

US00D498940S

(12) **United States Design Patent**
Getzel

(10) **Patent No.:** **US D498,940 S**

(45) **Date of Patent:** **** Nov. 30, 2004**

(54) **CHAIR**

(75) **Inventor:** **Stefano Getzel**, Montecchio Maggiore (IT)

(73) **Assignee:** **Luxy SRL**, Alte di Montecchio Maggiore (IT)

(**) **Term:** **14 Years**

(21) **Appl. No.:** **29/198,507**

(22) **Filed:** **Feb. 2, 2004**

(30) **Foreign Application Priority Data**

Dec. 11, 2003 (EM) 112024

(51) **LOC (7) Cl.** **06-01**

(52) **U.S. Cl.** **D6/372; D6/380**

(58) **Field of Search** D6/334, 370, 371, D6/372, 373, 374, 375, 379, 380, 500, 501, 502; 297/445.1, 447.1, 451.3

(56) **References Cited**

U.S. PATENT DOCUMENTS

D99,530 S * 5/1936 Spencer, III D6/370

D237,671 S * 11/1975 Grosfillex D6/370
D244,812 S * 6/1977 Buhk D6/372
D250,559 S * 12/1978 Petersen D6/372
D350,653 S * 9/1994 Citterio D6/372
D395,764 S * 7/1998 Dozsa-Farkas D6/372
D435,175 S * 12/2000 Chu D6/372

* cited by examiner

Primary Examiner—Gary D. Watson

(74) *Attorney, Agent, or Firm*—Dykema Gossett PLLC

(57) **CLAIM**

The ornamental design for a chair, as shown and described.

DESCRIPTION

FIG. 1 is a front perspective view of a chair according to the invention.

FIG. 2 is a rear perspective of the chair shown in FIG. 1.

FIG. 3 is a front view of the chair shown in FIG. 1.

FIG. 4 is a rear view of the chair shown in FIG. 1.

FIG. 5 is a top plain view of the chair shown in FIG. 1; and,

FIG. 6 is a right side view of the chair shown in FIG. 1, the left side view is a mirror image thereof.

1 Claim, 6 Drawing Sheets

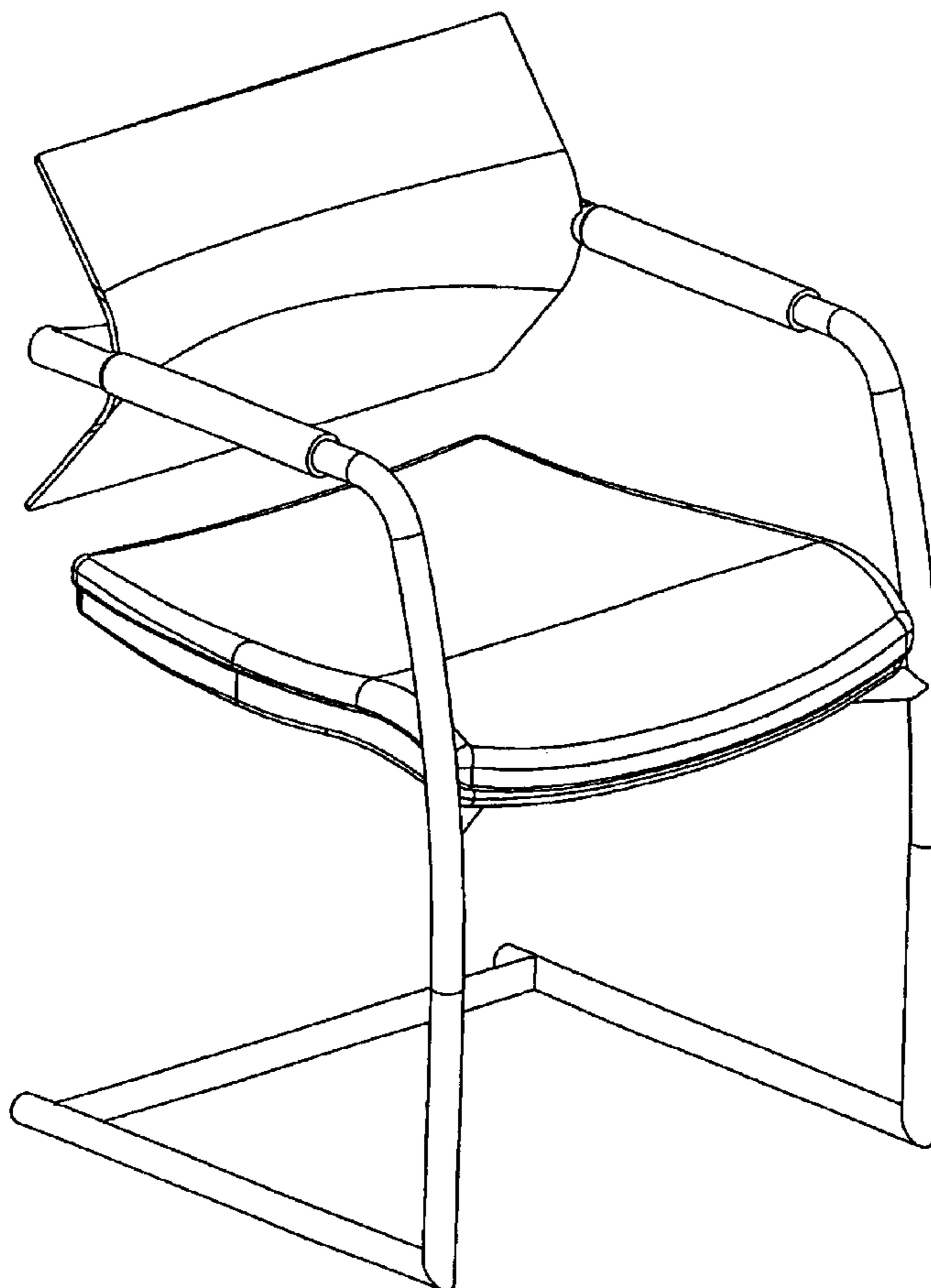


FIG. 1

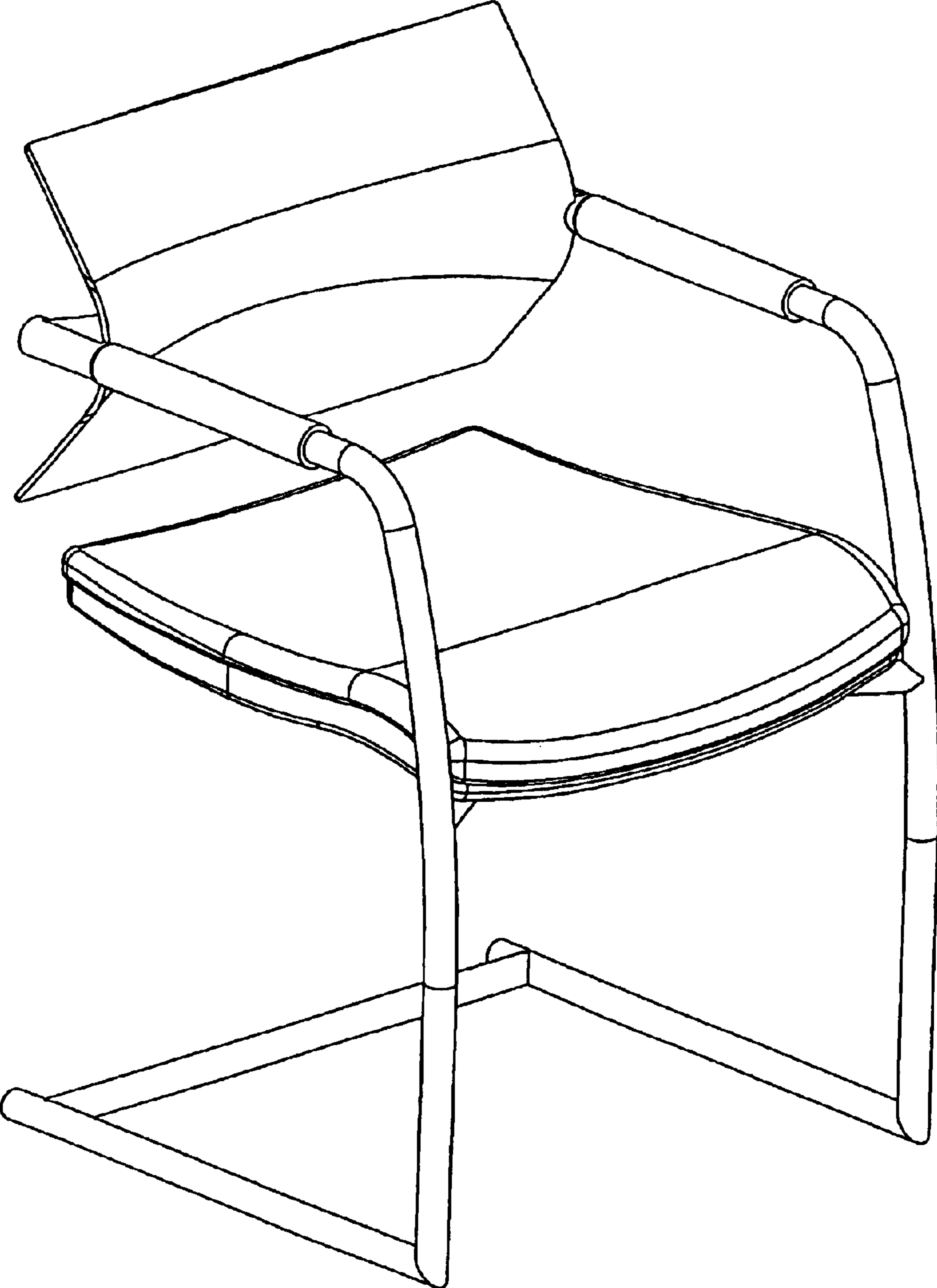


FIG. 2

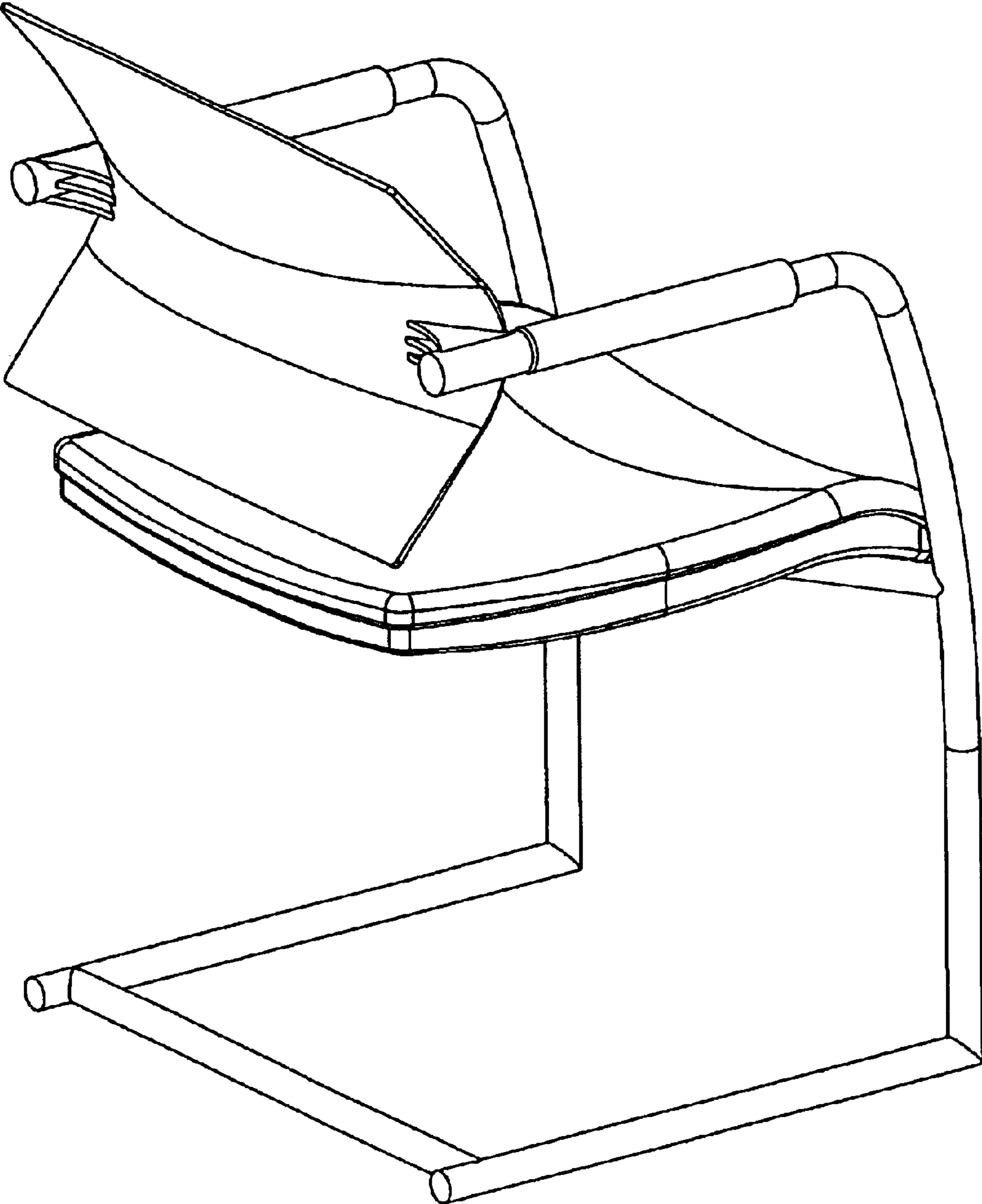


FIG. 3

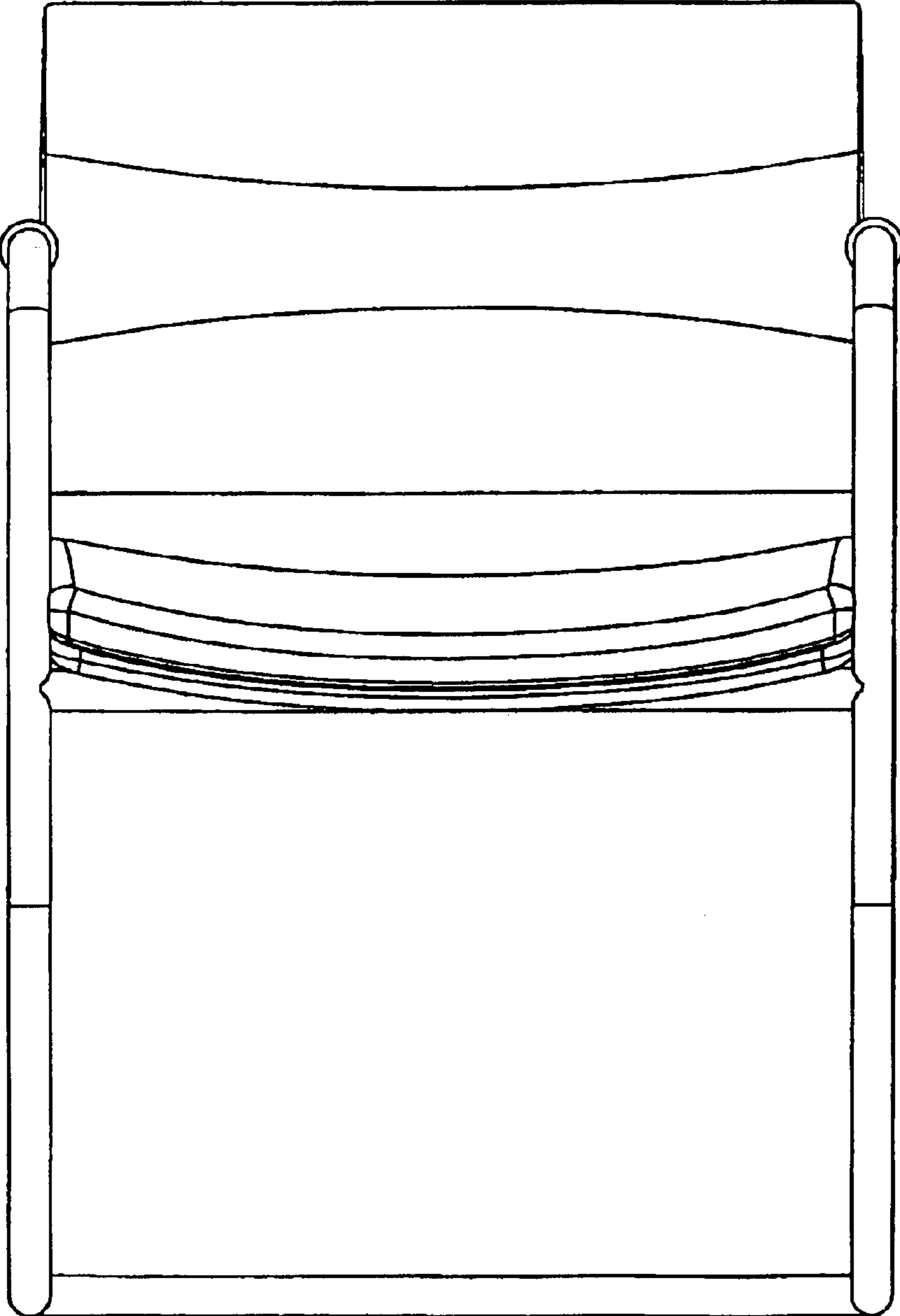


FIG. 4

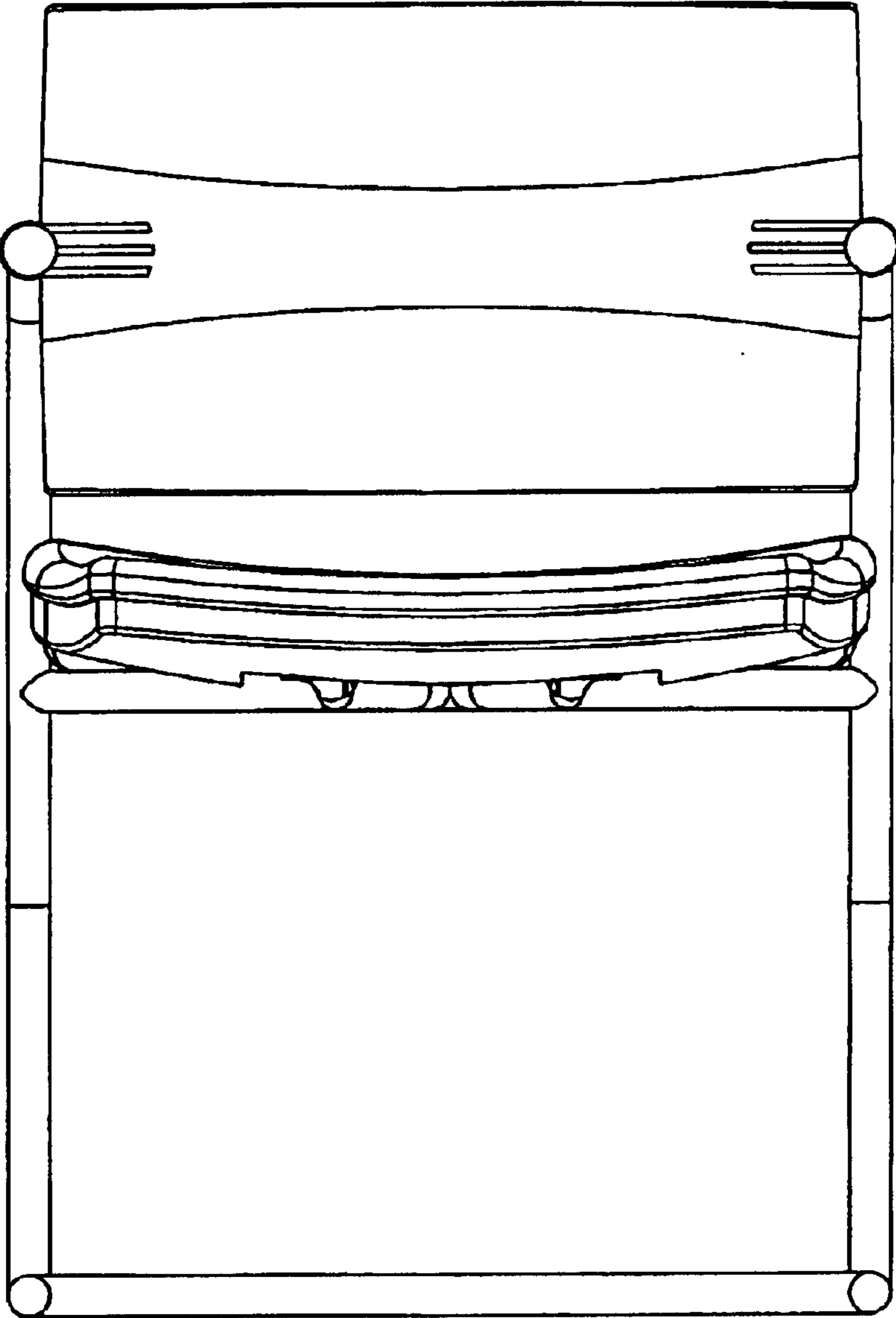


FIG. 5

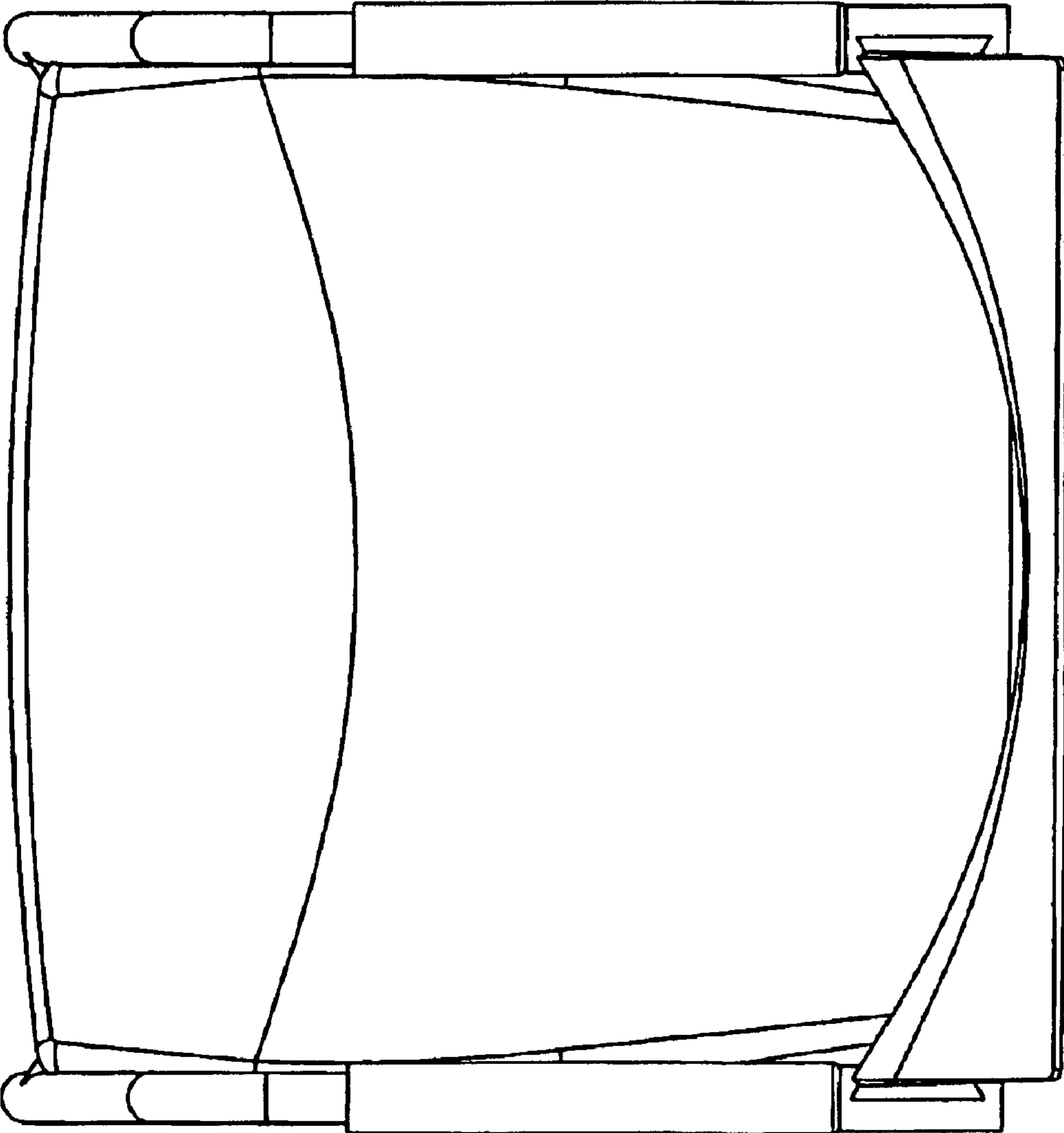


FIG. 6

