

US00D498939S

(12) **United States Design Patent**  
**Kirkpatrick**

(10) **Patent No.: US D498,939 S**

(45) **Date of Patent: \*\* Nov. 30, 2004**

(54) **LOUNGE CHAIR**

D270,215 S \* 8/1983 Ochsner ..... D6/373  
D276,007 S \* 10/1984 Jarry ..... D6/372 X

(75) Inventor: **Michael Kirkpatrick**, West Windsor,  
NJ (US)

**OTHER PUBLICATIONS**

Design Within Reach, p. 15, lounge chair by Aalto shown.\*

(73) Assignee: **PRL USA Holdings, Inc.**, Wilmington,  
DE (US)

\* cited by examiner

(\*\*) Term: **14 Years**

*Primary Examiner*—Gary D. Watson

(74) *Attorney, Agent, or Firm*—Greenberg Traurig, LLP

(21) Appl. No.: **29/196,934**

(57) **CLAIM**

(22) Filed: **Jan. 7, 2004**

The ornamental design for a lounge chair, as shown and described.

(51) **LOC (7) Cl.** ..... **06-01**

(52) **U.S. Cl.** ..... **D6/372; D6/379**

(58) **Field of Search** ..... D6/334, 335, 370,  
D6/371, 372, 373, 374, 375, 376, 379,  
500, 501, 502; 297/445.1, 447.1, 448.1

**DESCRIPTION**

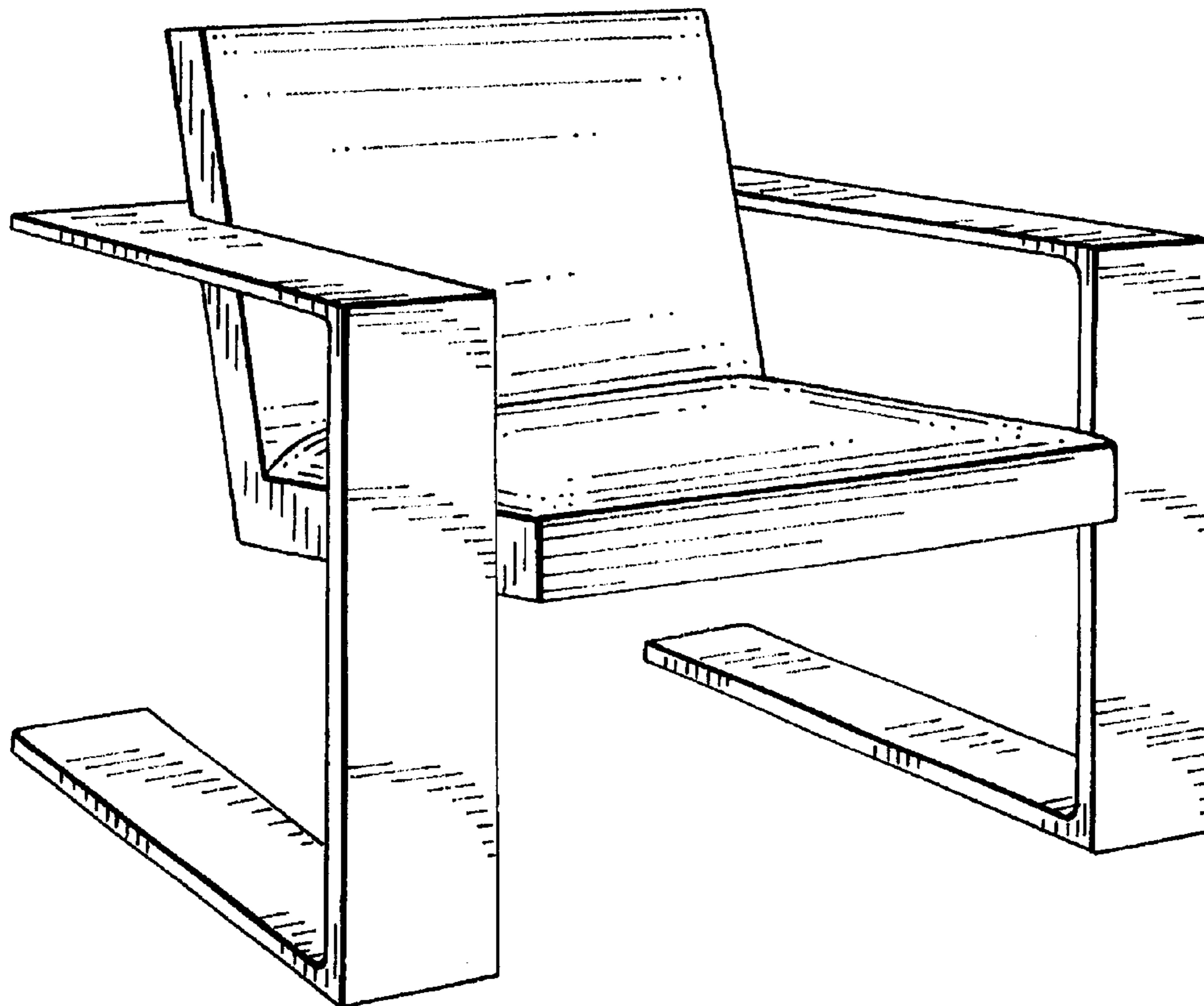
FIG. 1 is a perspective view of a lounge chair in accordance with a preferred embodiment of the present invention; FIG. 2 is a left side view of the lounge chair shown in FIG. 1, with the right side being a mirror image thereof; FIG. 3 is a front view of the lounge chair shown in FIG. 1; FIG. 4 is a top view of the lounge chair shown in FIG. 1; and, FIG. 5 is a back view of the lounge chair shown in FIG. 1. The broken lines shown in the drawings are for illustrative purposes only and form no part of the claimed design.

(56) **References Cited**

**U.S. PATENT DOCUMENTS**

D99,530 S \* 5/1936 Spencer, III ..... D6/370  
2,135,586 A \* 11/1938 Lorenz et al. .... D6/372 X  
D217,345 S \* 4/1970 Pitt ..... D6/375  
D232,215 S \* 7/1974 Lamb ..... D6/372  
D237,331 S \* 10/1975 Vogt ..... D6/372

**1 Claim, 5 Drawing Sheets**



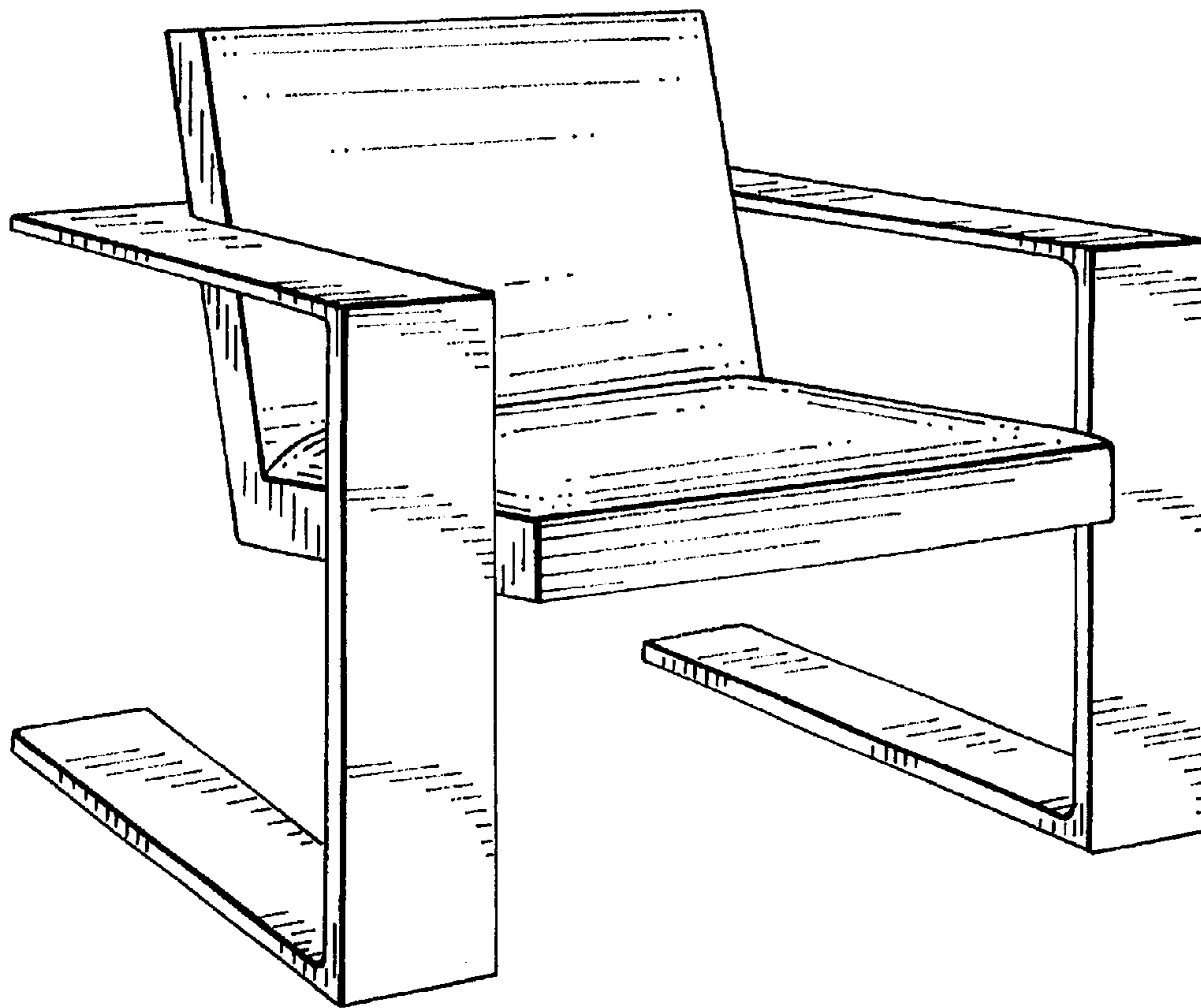


FIG. 1

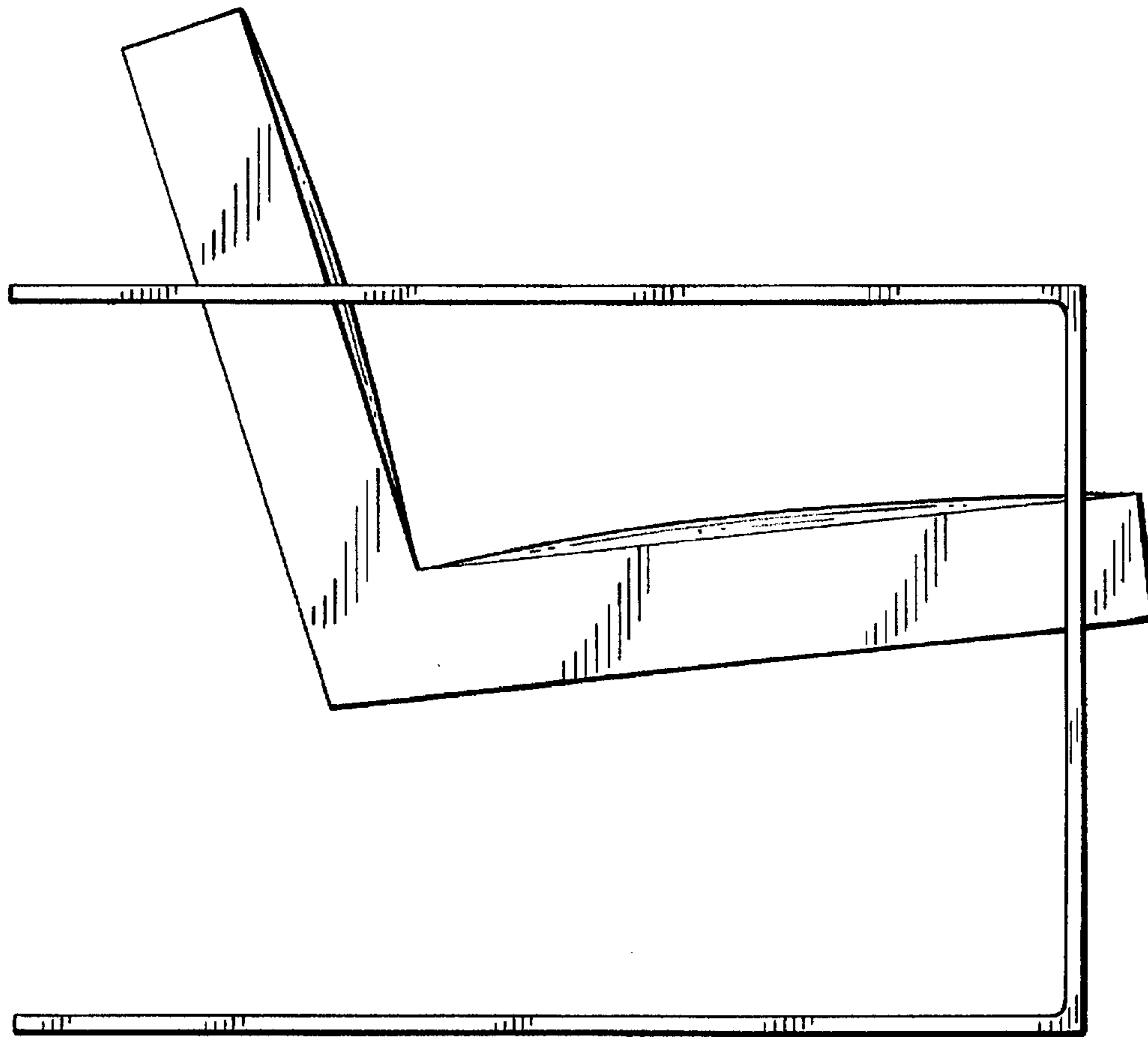


FIG. 2

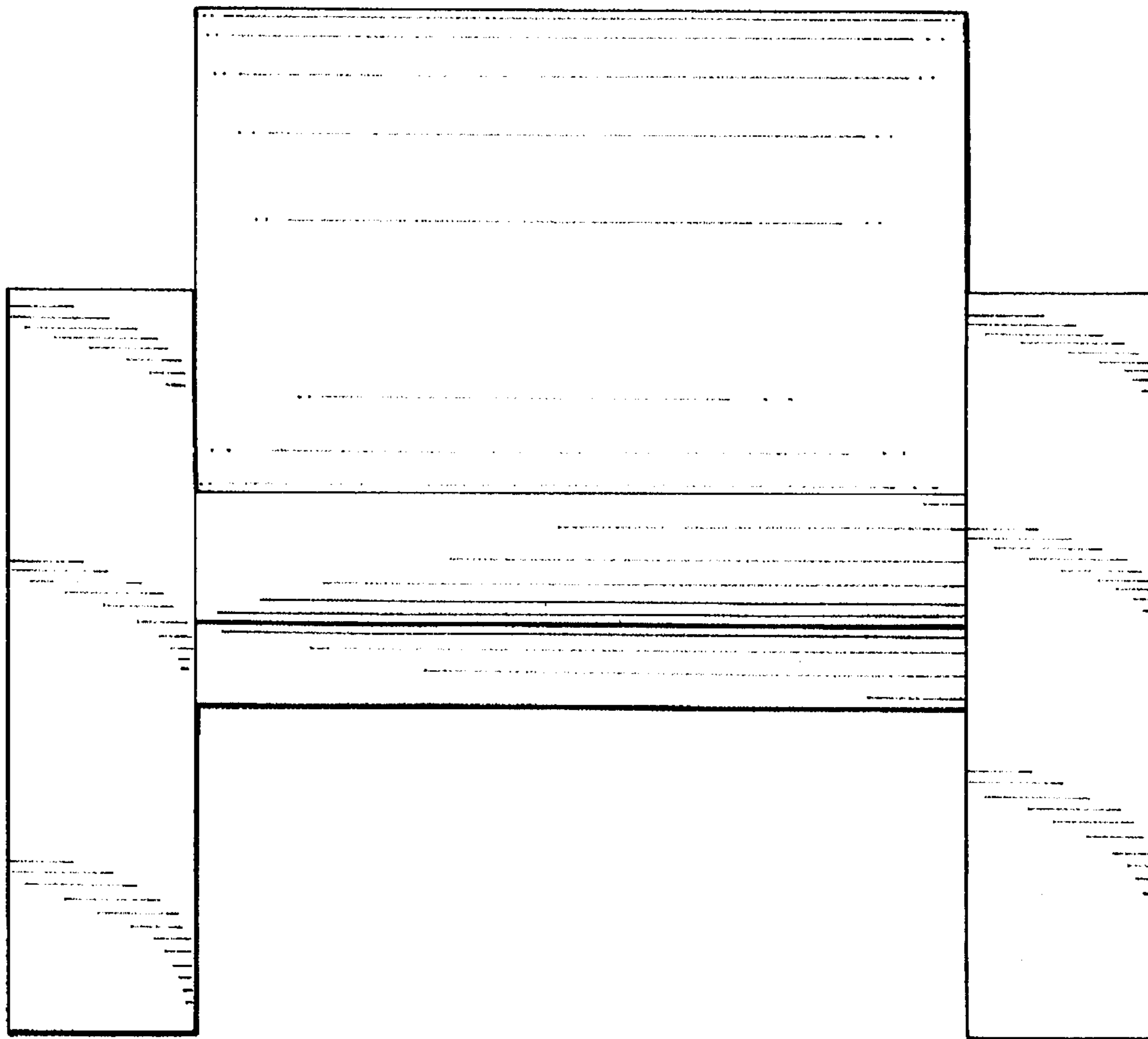


FIG. 3

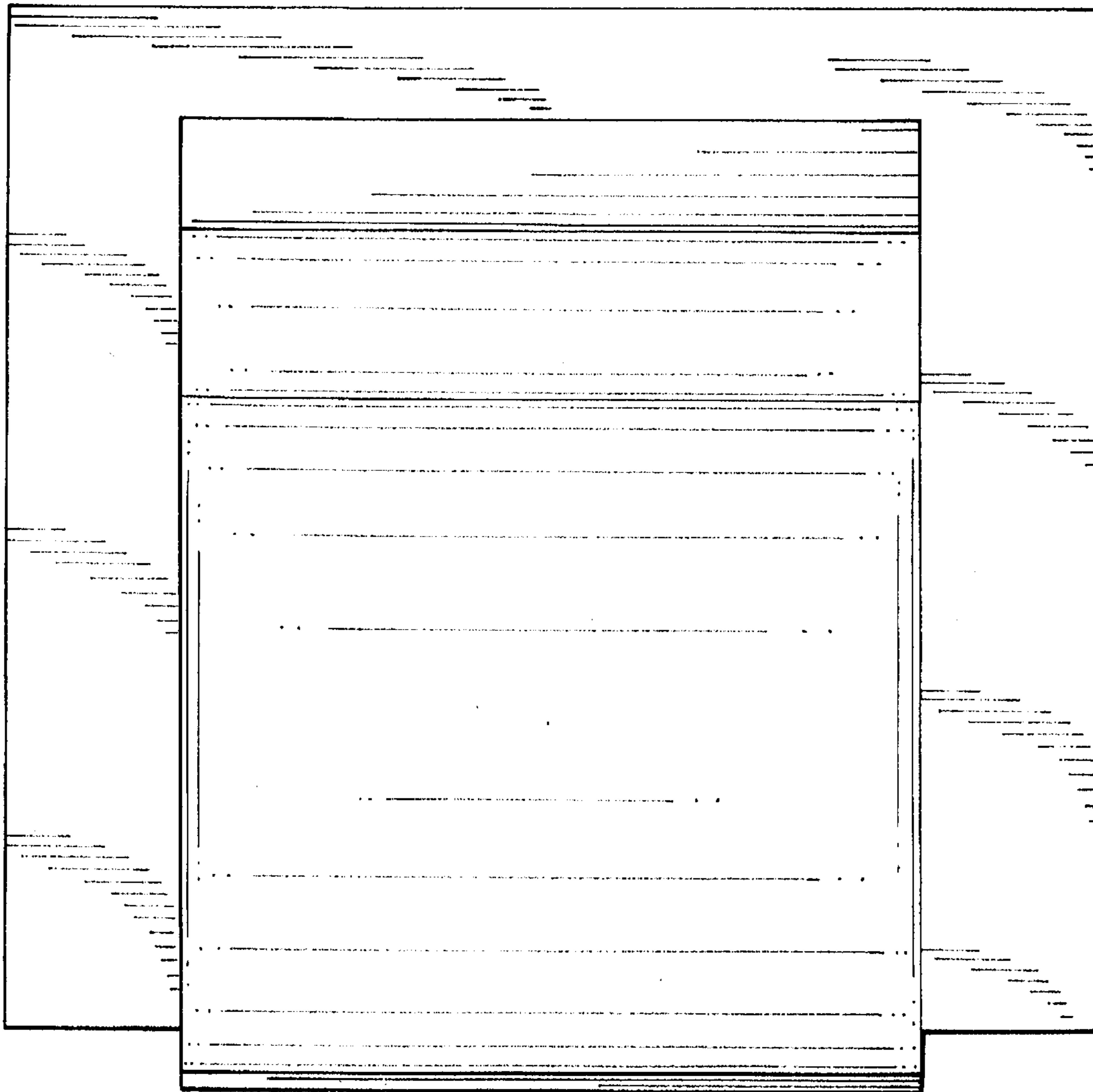


FIG. 4

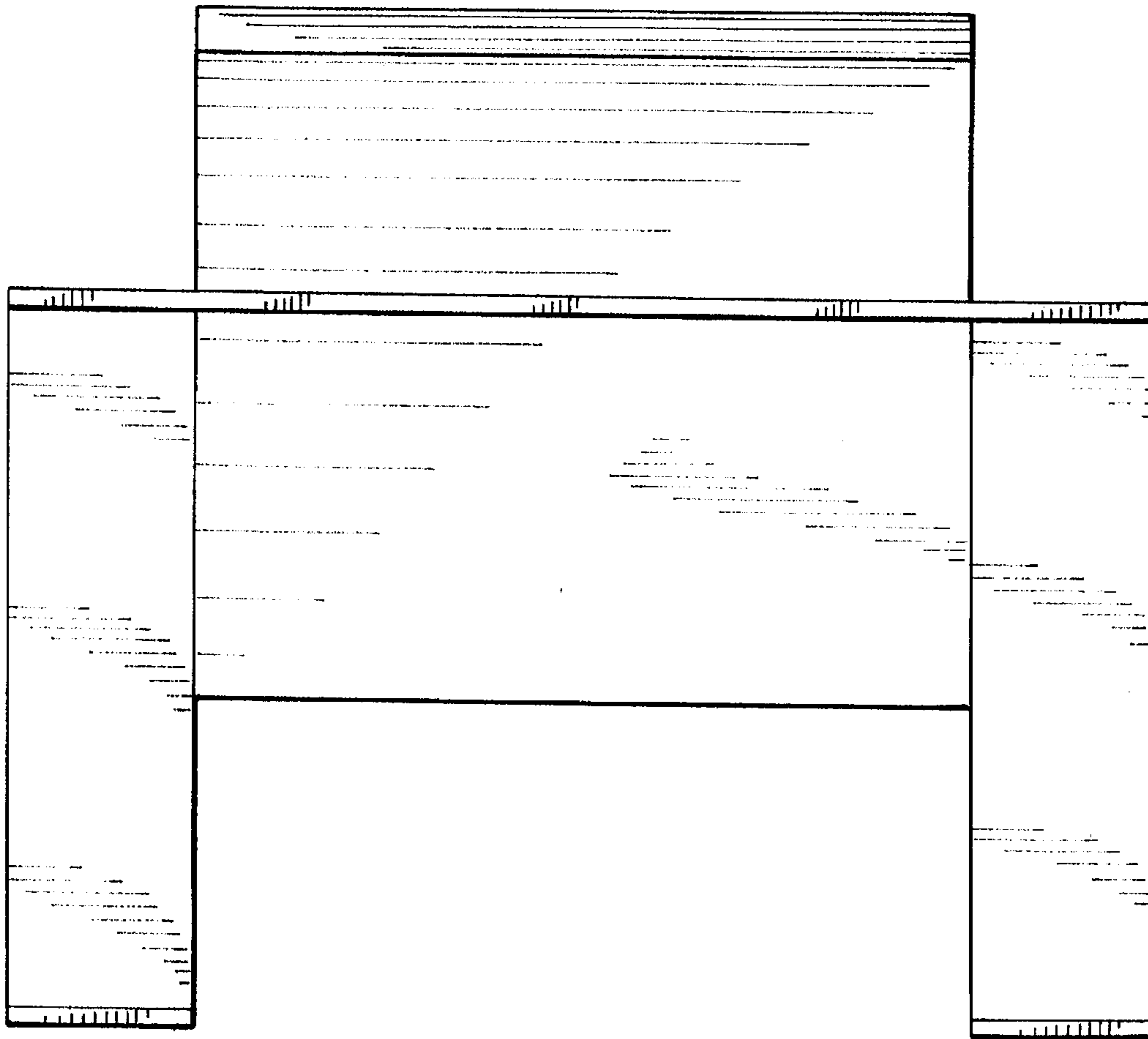


FIG. 5