

US00D498923S

(12) **United States Design Patent**
Chang

(10) **Patent No.: US D498,923 S**

(45) **Date of Patent: ** Nov. 30, 2004**

(54) **TOOL BOX**

(76) **Inventor: Chi-Hsiung Chang**, No. 30, Gongye
15th Rd., Taiping City, Taichung
County (TW)

(**) **Term: 14 Years**

(21) **Appl. No.: 29/190,018**

(22) **Filed: Sep. 12, 2003**

(51) **LOC (7) Cl. 03-01**

(52) **U.S. Cl. D3/282; D3/905**

(58) **Field of Search D3/273, 274, 281,**
D3/282, 291, 294, 295, 905; 206/349, 372,
373, 378; 312/902; 190/100

(56) **References Cited**

U.S. PATENT DOCUMENTS

4,998,616 A	*	3/1991	Hillinger	206/748
D328,189 S	*	7/1992	Hillinger	D3/282
D343,063 S	*	1/1994	Chen	D3/282
D347,731 S	*	6/1994	Hayakawa et al.	D3/282
D358,257 S	*	5/1995	Sidabras et al.	D3/282
D364,957 S	*	12/1995	Turbowitz	D3/276

D399,652 S	*	10/1998	Fang	D3/282
D417,781 S	*	12/1999	Staheli	D3/282
D426,705 S	*	6/2000	Fang	D3/282
6,070,754 A	*	6/2000	Newby, Sr.	220/675
D440,043 S	*	4/2001	Miller et al.	D3/282

* cited by examiner

Primary Examiner—Philip S. Hyder

(74) *Attorney, Agent, or Firm*—Charles E. Baxley

(57) **CLAIM**

The ornamental design for a tool box, as shown and described.

DESCRIPTION

FIG. 1 is a perspective view of a tool box showing my new design;

FIG. 2 is a front elevational view thereof;

FIG. 3 is a rear elevational view thereof,

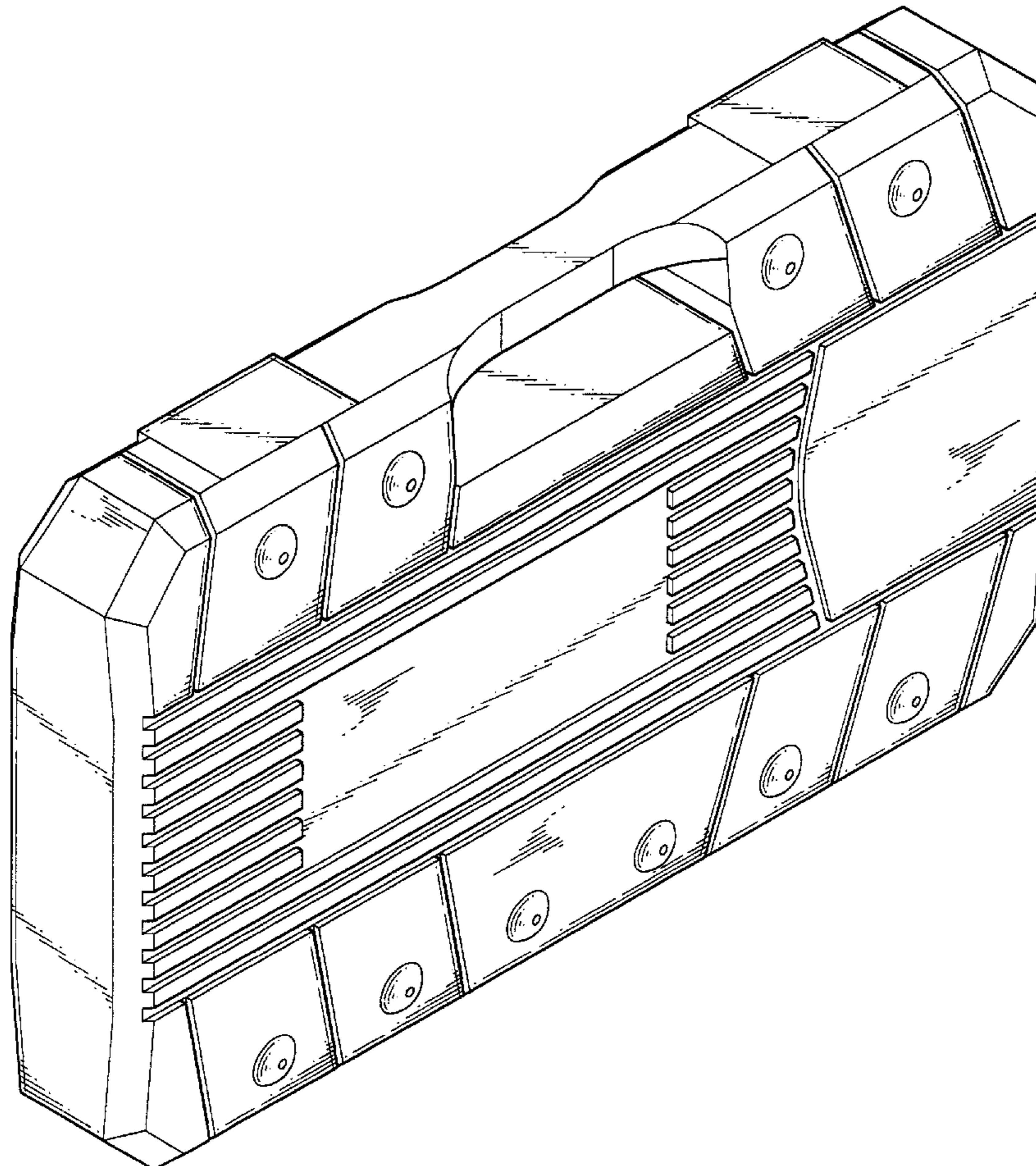
FIG. 4 is a left side elevational view thereof,

FIG. 5 is a right side elevational view thereof,

FIG. 6 is a top plan view thereof; and,

FIG. 7 is a bottom plan view to that shown.

1 Claim, 5 Drawing Sheets



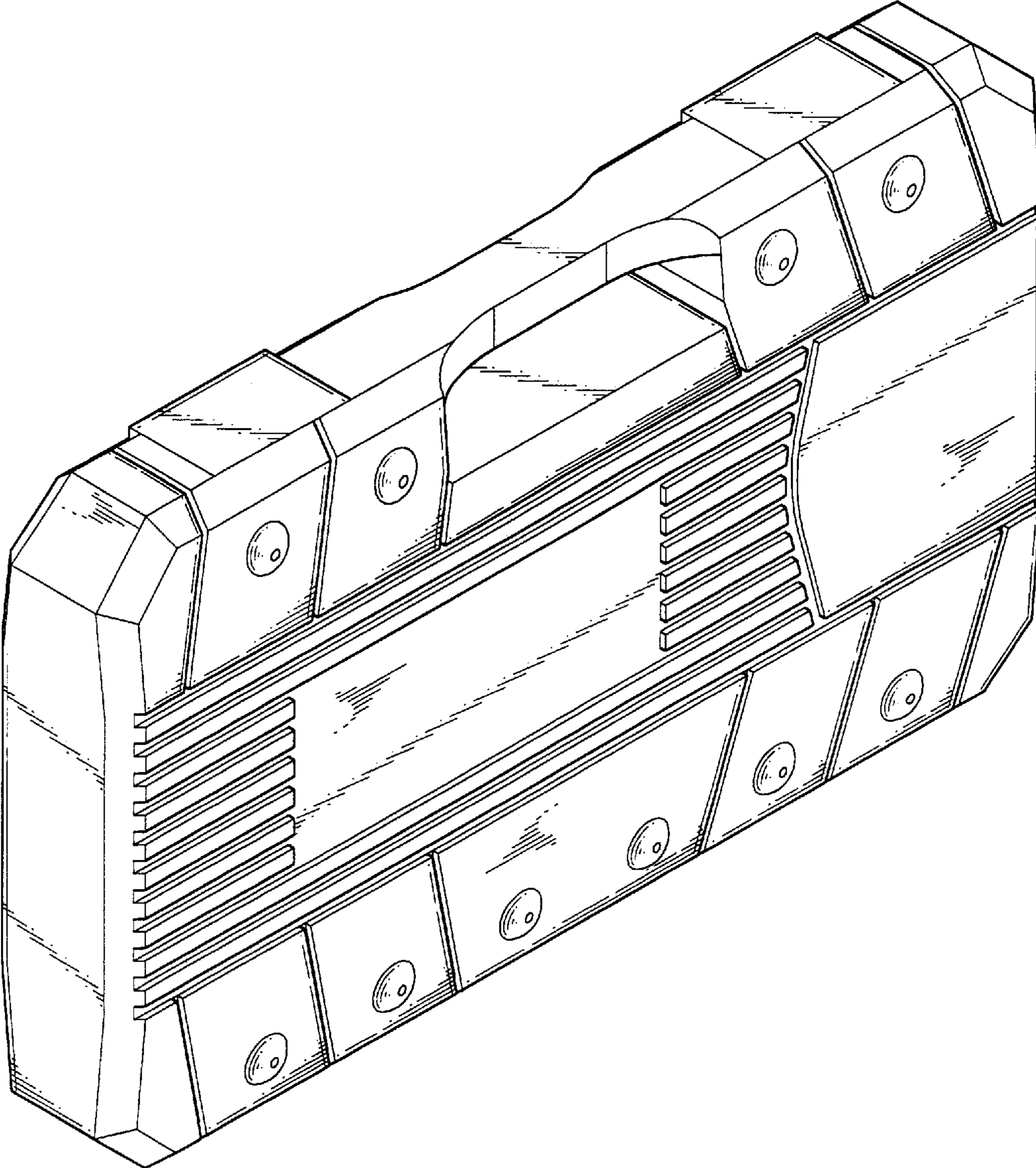


FIG. 1

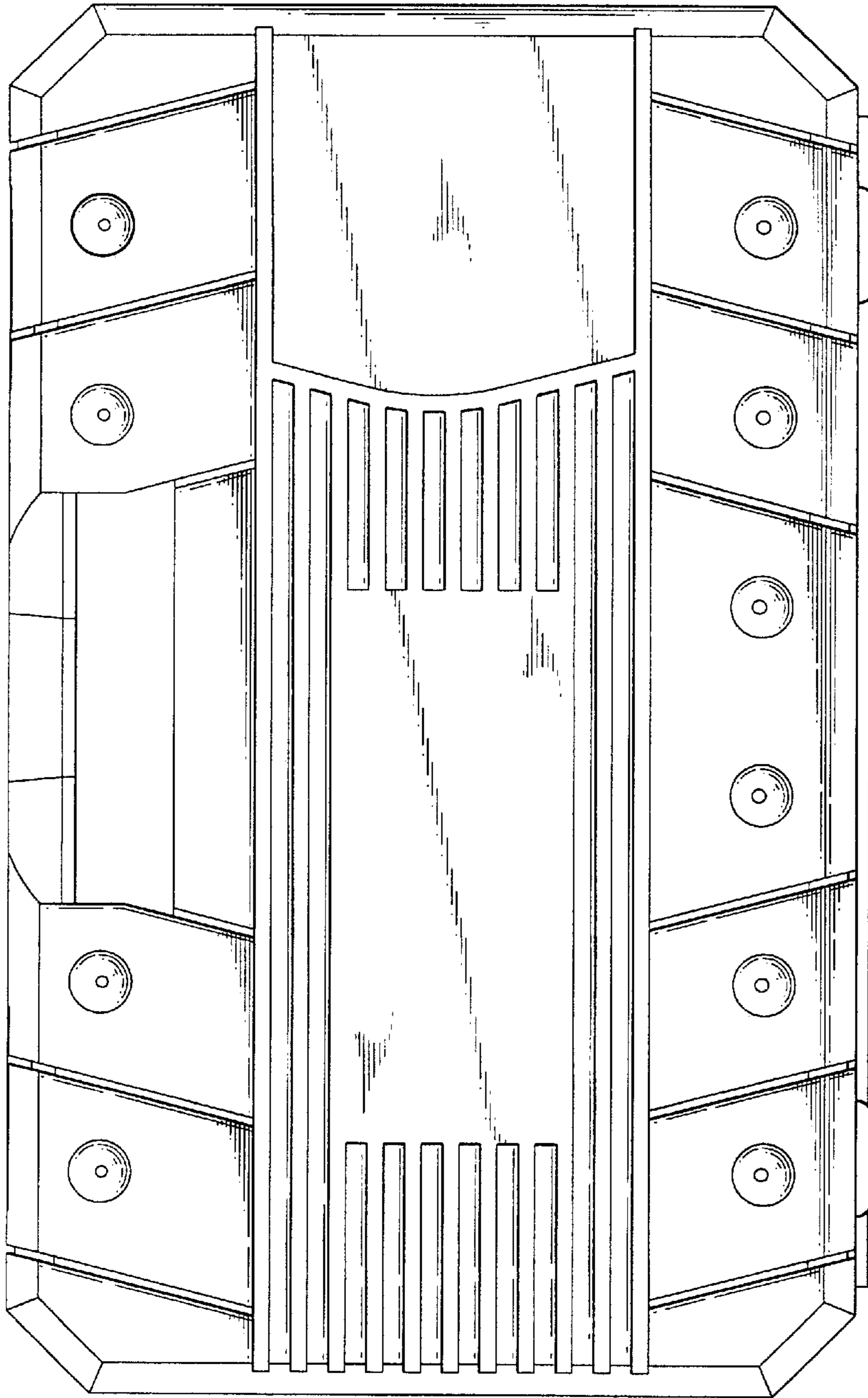


FIG. 2

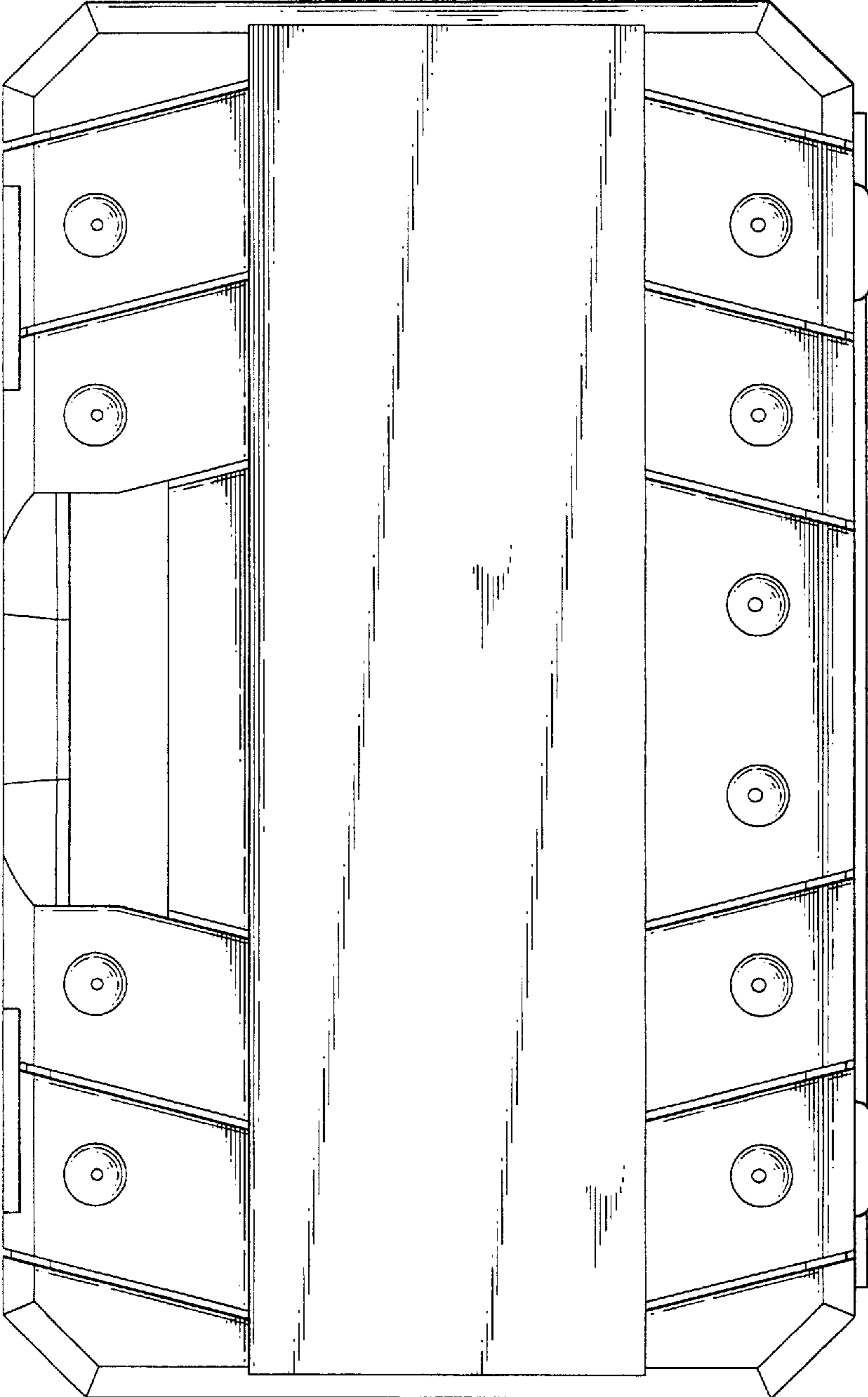


FIG. 3

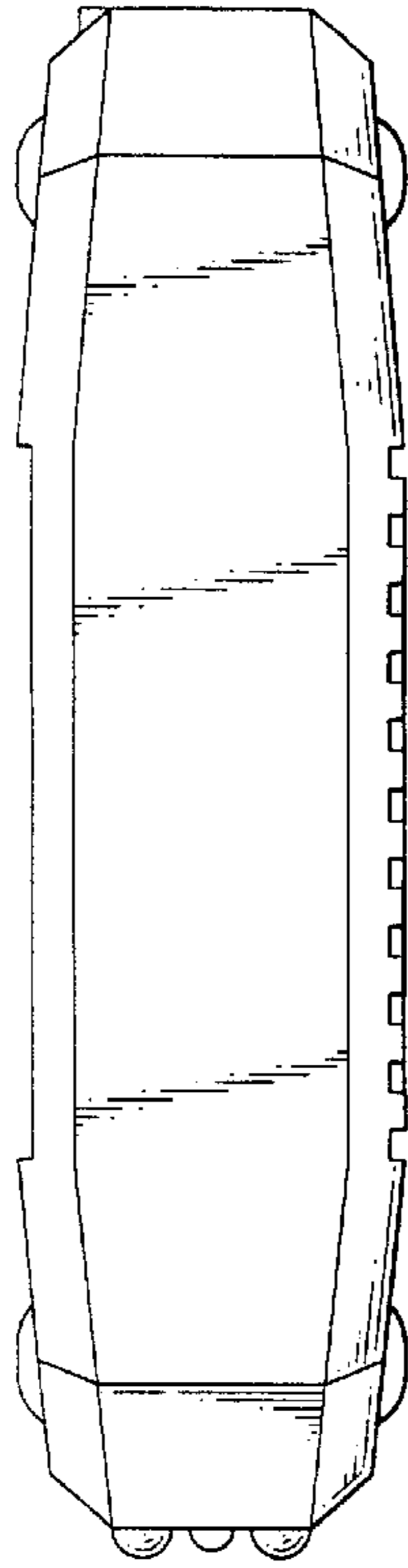


FIG. 4

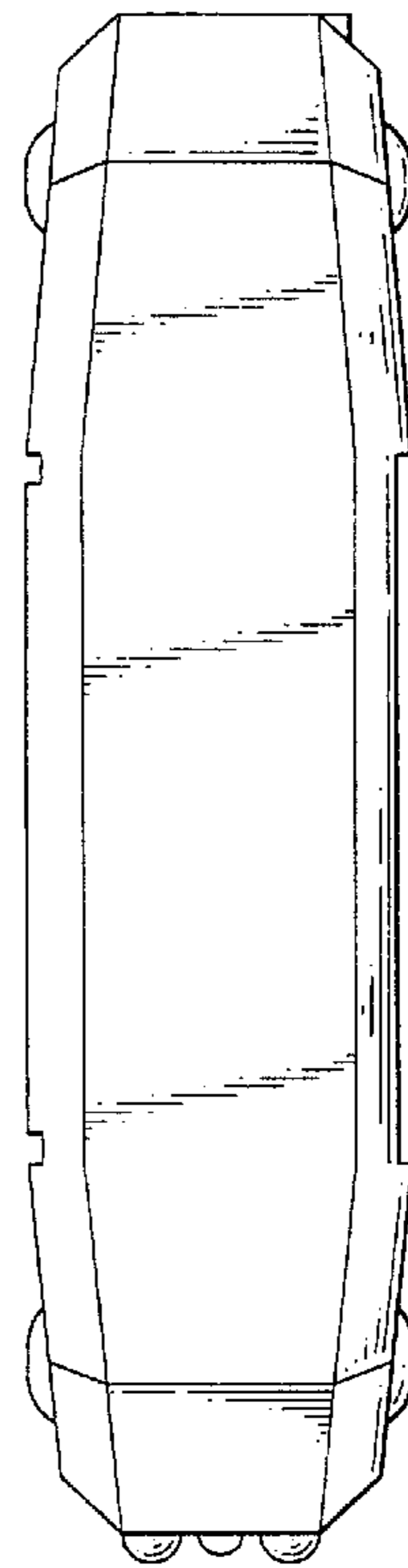


FIG. 5

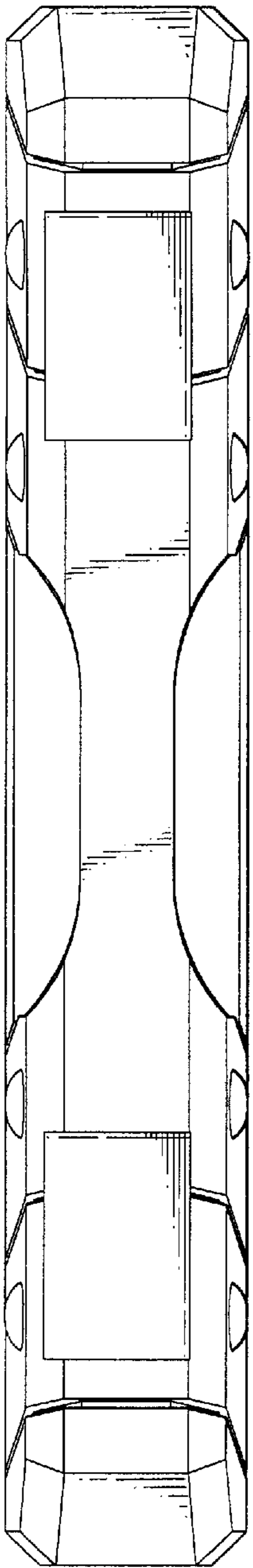


FIG. 6

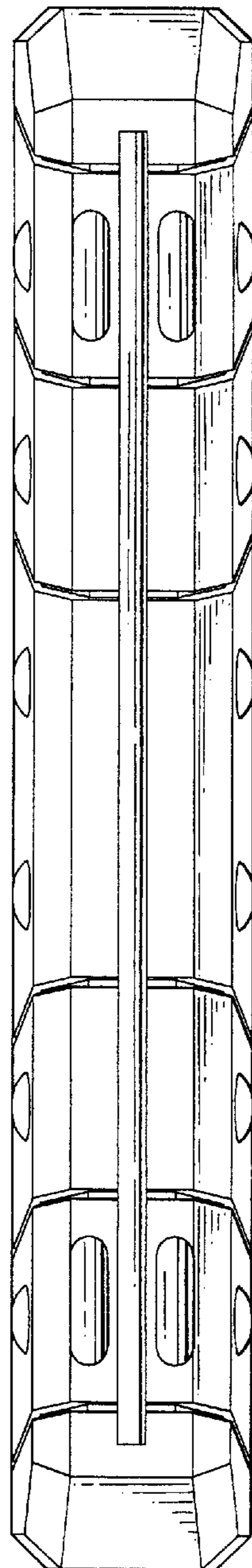


FIG. 7