

US00D498917S

(12) **United States Design Patent**
Goldwitz

(10) **Patent No.:** **US D498,917 S**

(45) **Date of Patent:** **** Nov. 30, 2004**

(54) **UMBRELLA ASSEMBLY**

(75) **Inventor:** **Brian L. Goldwitz**, Orange, CT (US)

(73) **Assignee:** **Tracy Forlini Goldwitz**, Orange, CT (US)

(**) **Term:** **14 Years**

(21) **Appl. No.:** **29/195,214**

(22) **Filed:** **Dec. 8, 2003**

Related U.S. Application Data

(62) Division of application No. 29/182,154, filed on May 19, 2003, which is a division of application No. 29/156,131, filed on Feb. 22, 2002, now Pat. No. Des. 477,458.

(51) **LOC (7) Cl.** **03-03**

(52) **U.S. Cl.** **D3/10**

(58) **Field of Search** D3/5-6, 10, 12, D3/14, 16-17; 135/16, 18-26, 29-32, 98, 33.71, 910, 913; 297/184.6; 362/577, 102

(56) **References Cited**

U.S. PATENT DOCUMENTS

169,599 A	11/1875	Tibbals
281,675 A	7/1883	Eighling et al.
332,917 A	12/1885	Markham
508,418 A	11/1893	Heaney
552,115 A	12/1895	Frye
565,619 A	8/1896	Haynes
2,658,225 A	11/1953	Bascom
2,767,723 A	10/1956	Sears, Jr.
4,606,366 A	8/1986	Collett
5,611,364 A	3/1997	Woods et al.
5,678,585 A	10/1997	May
5,735,302 A	4/1998	Saliva

5,785,069 A	7/1998	Glatz
D398,443 S	9/1998	Bolle
5,845,665 A	12/1998	Koehn
5,937,882 A	8/1999	Harbaugh
5,960,806 A	10/1999	Steiner
5,967,881 A	10/1999	Tucker
6,152,156 A	11/2000	Tung
D434,556 S	12/2000	Lin
6,220,261 B1	4/2001	Glatz
6,401,739 B1	6/2002	Bright et al.

FOREIGN PATENT DOCUMENTS

DE	38 20 573 A1	8/1989
EP	0 334 821	9/1989
FR	2 752 512	2/1998

Primary Examiner—Louis S. Zarfaz

Assistant Examiner—Robert A Delehanty

(74) *Attorney, Agent, or Firm*—Edwards & Angell, LLP; George N. Chaclas

(57) **CLAIM**

The ornamental design for an umbrella assembly, as shown and described.

DESCRIPTION

FIG. 1 is a front view of the umbrella assembly according to the present disclosure.

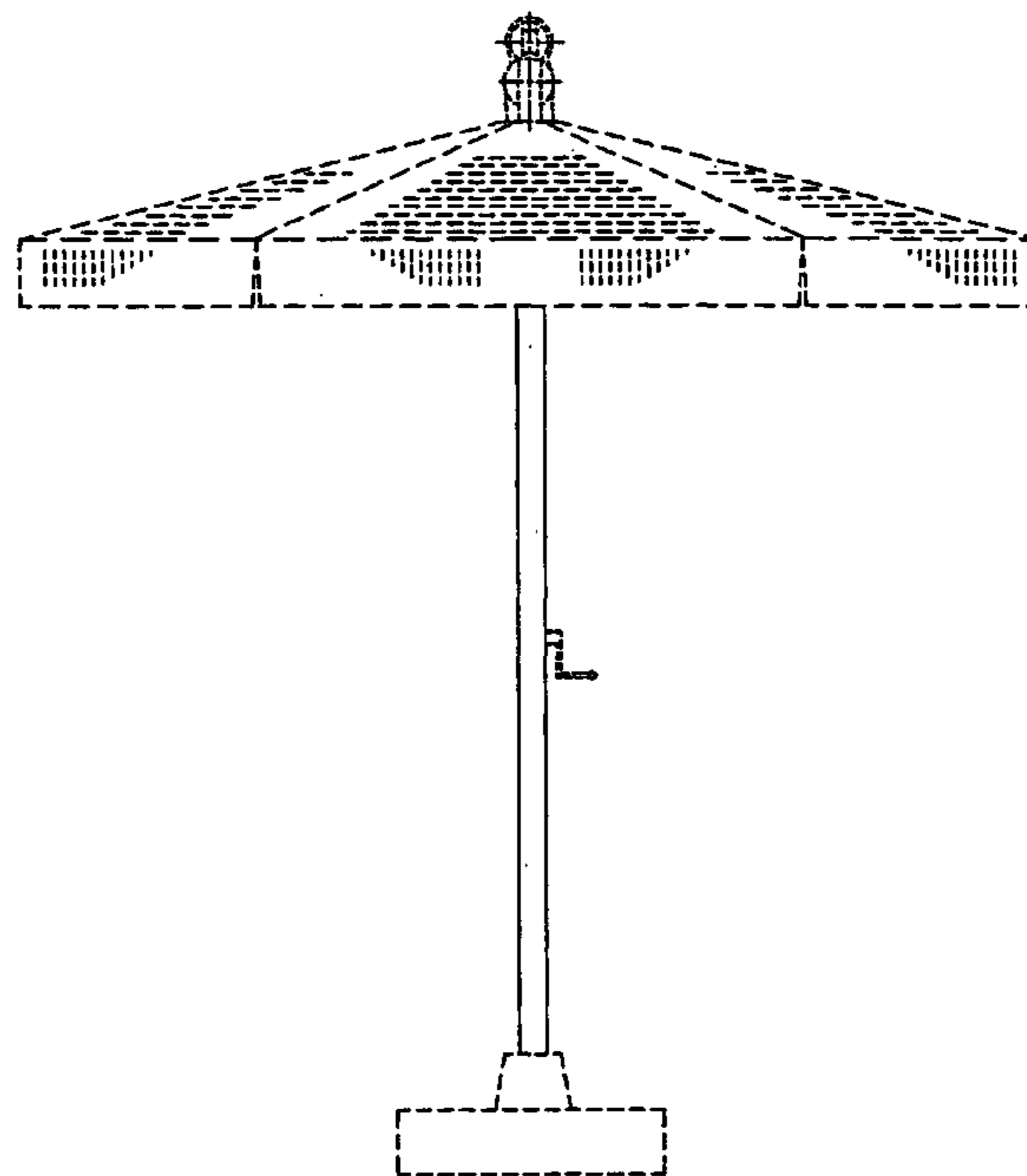
FIG. 2 is a rear view of the umbrella assembly according to the present disclosure.

FIG. 3 is a bottom view of the umbrella assembly according to the present disclosure.

FIG. 4 is a top view of the umbrella assembly according to the present disclosure; and,

FIG. 5 is a side view of the umbrella assembly according to the present disclosure.

1 Claim, 5 Drawing Sheets



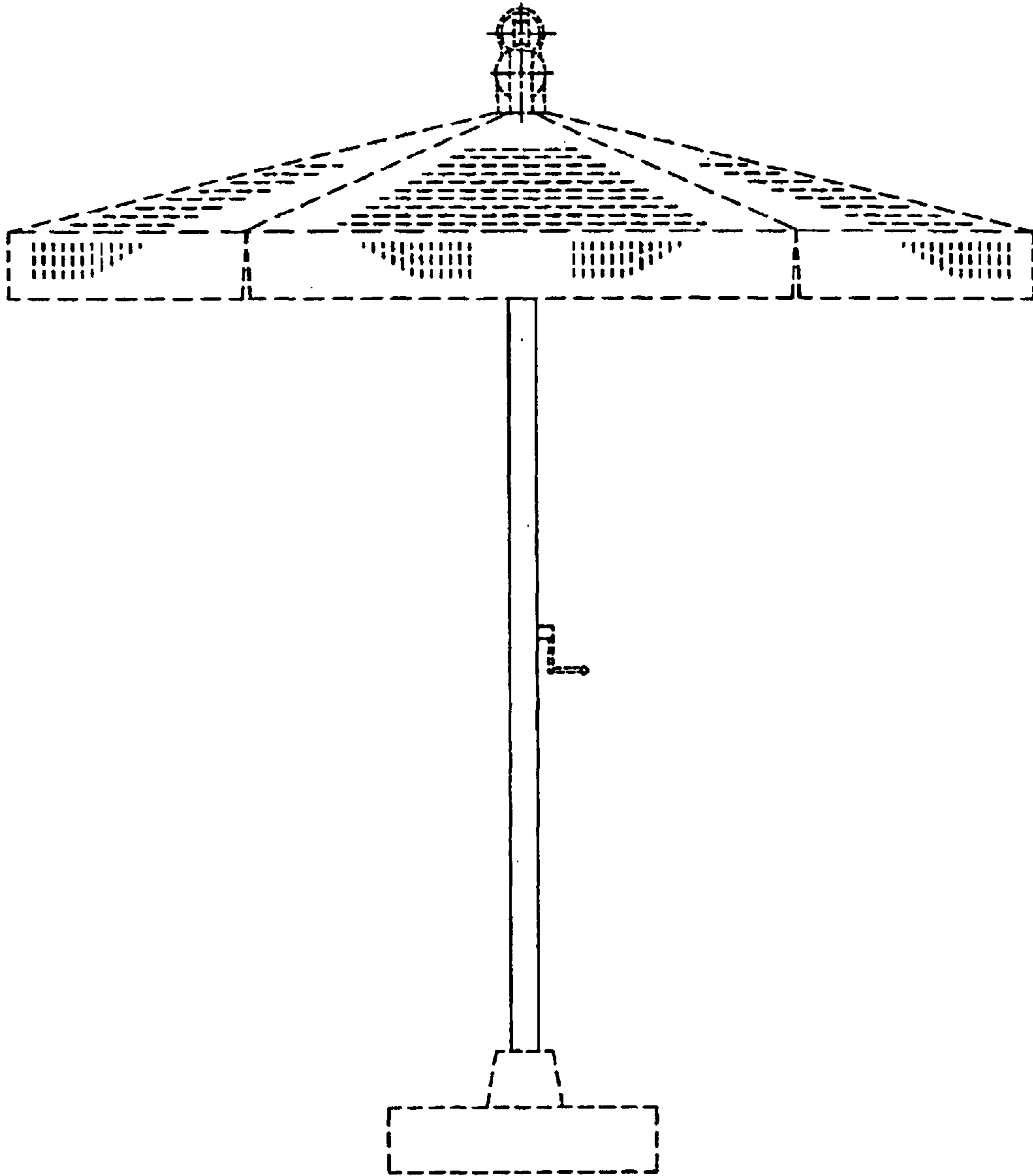


FIGURE 1

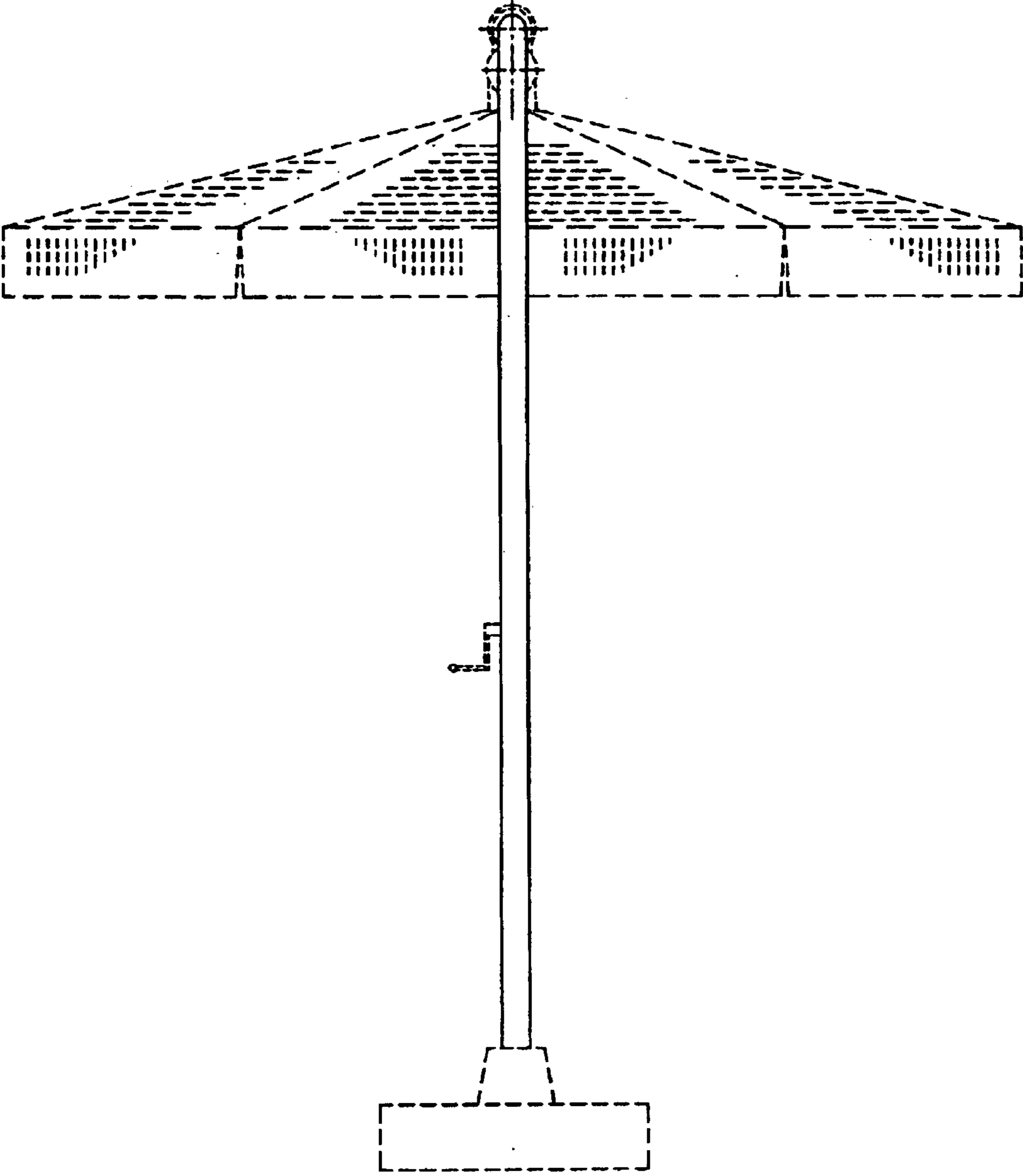


FIGURE 2

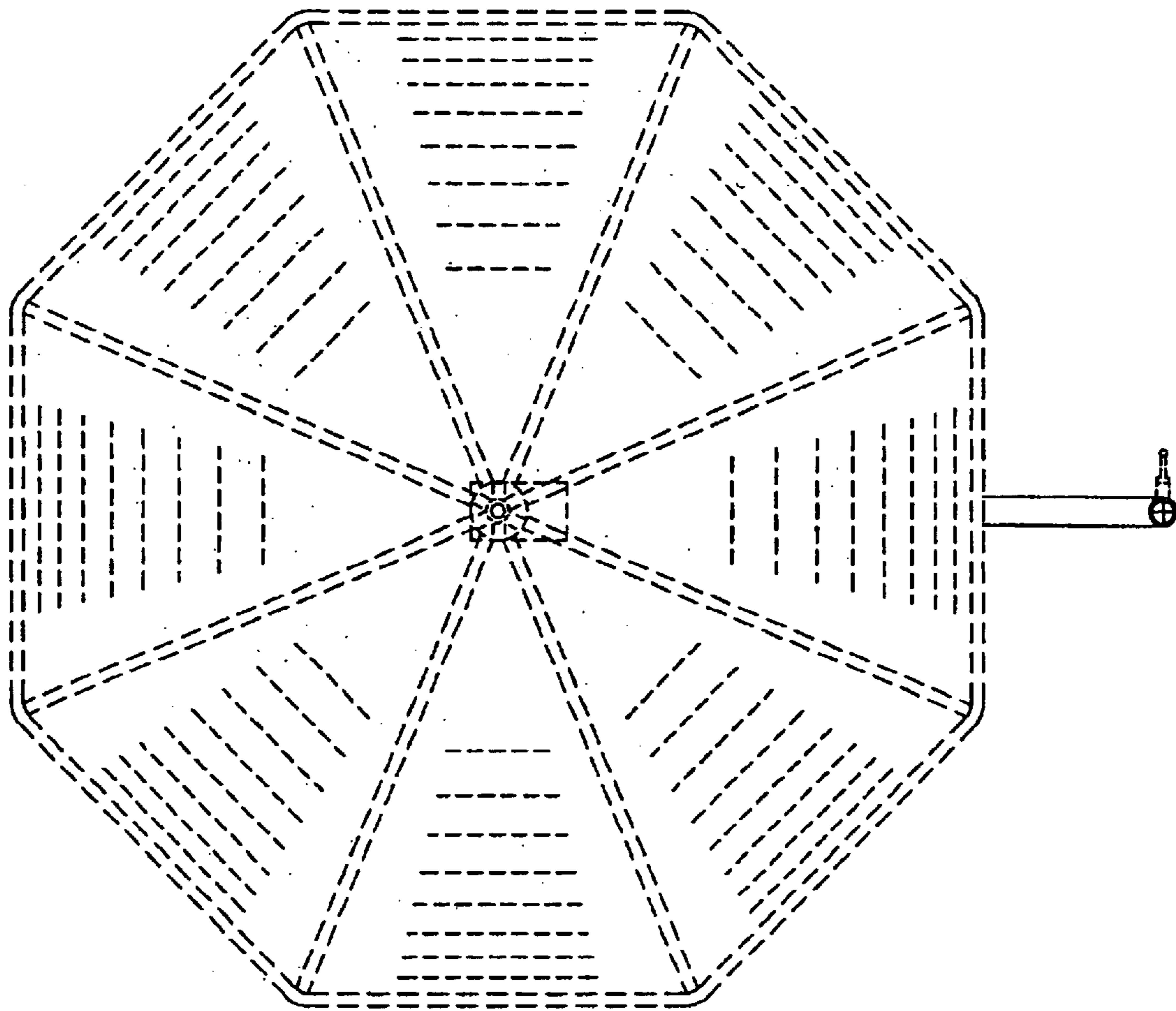


FIGURE 3

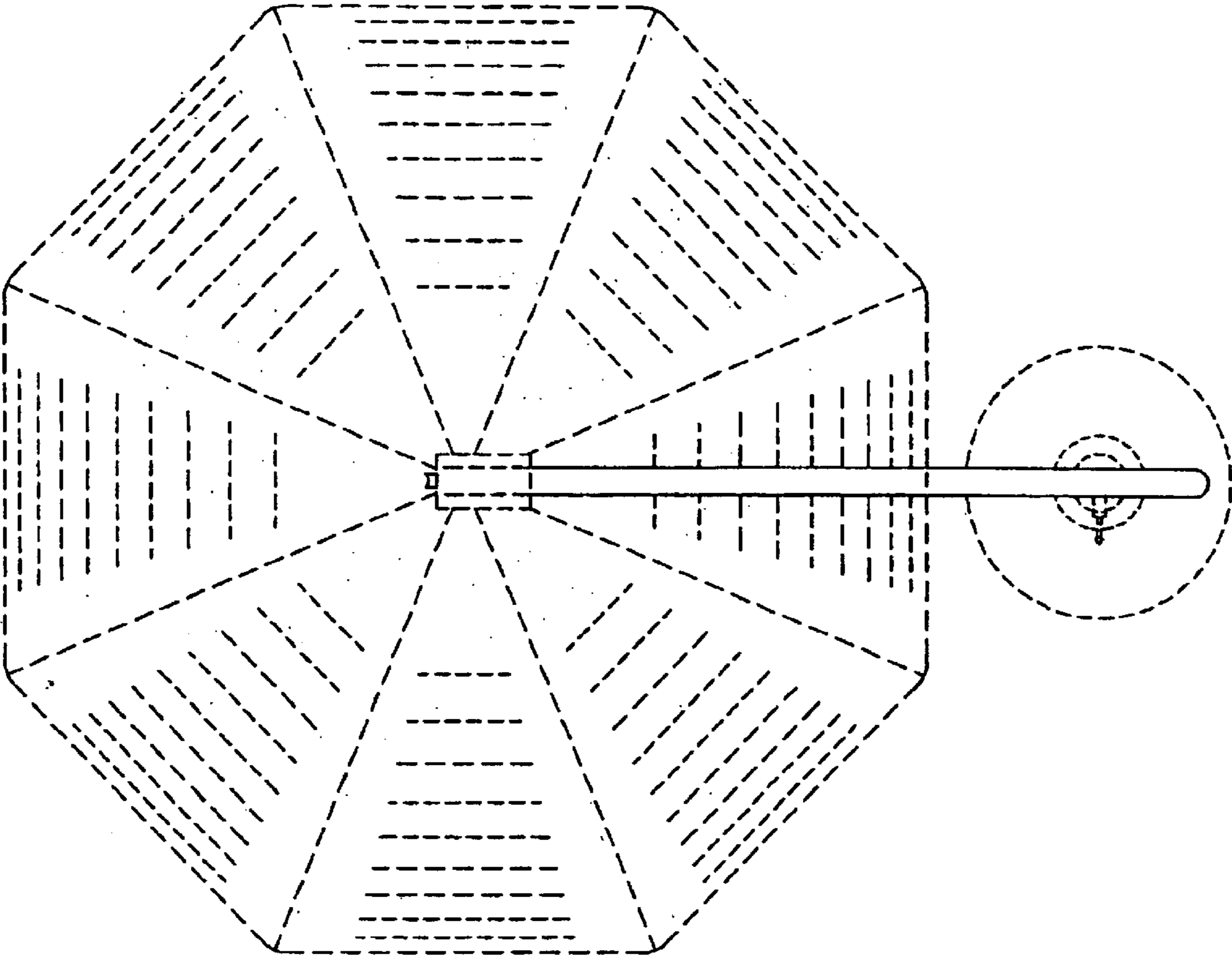


FIGURE 4

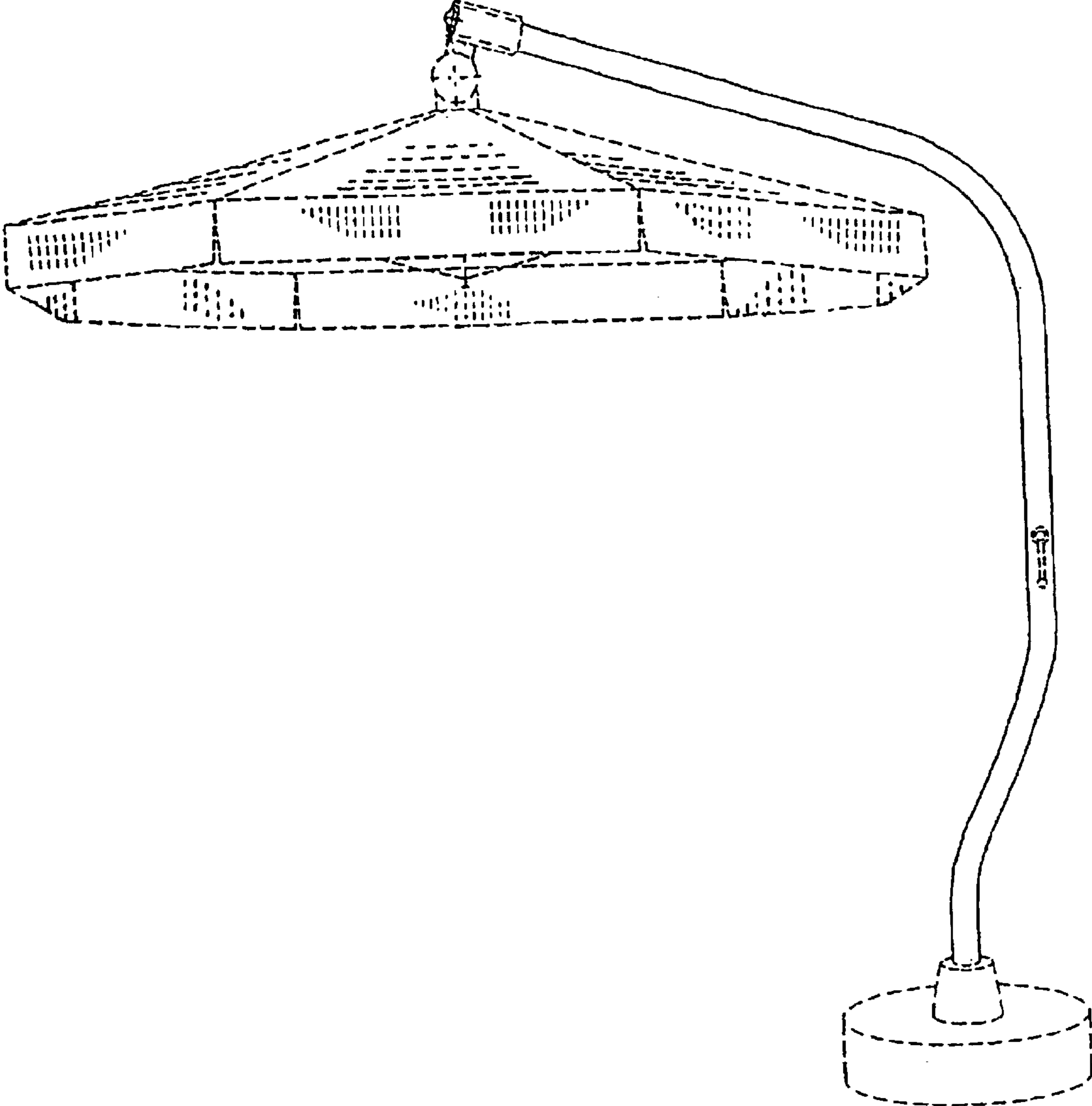


FIGURE 5