

US00D498891S

(12) **United States Design Patent**  
**Sickler et al.**

(10) **Patent No.:** **US D498,891 S**

(45) **Date of Patent:** **\*\* Nov. 23, 2004**

(54) **ICE CHISEL**

(75) Inventors: **Vicki Sickler**, Emporia, KS (US); **Evan Solida**, Emporia, KS (US)

(73) Assignee: **Hopkins Manufacturing Corporation**, Emporia, KS (US)

(\*\*) Term: **14 Years**

(21) Appl. No.: **29/180,779**

(22) Filed: **Apr. 30, 2003**

(51) **LOC (7) Cl.** ..... **08-05**

(52) **U.S. Cl.** ..... **D32/46; D32/49**

(58) **Field of Search** ..... D32/40, 46, 48, D32/49; 15/236.01, 236.02, 236.05, 236.06, 236.08; 30/164.5, 164.7, 169, 171, 172

(56) **References Cited**

**U.S. PATENT DOCUMENTS**

2,946,076	A	*	7/1960	Morgan	.....	15/236.02
3,274,684	A	*	9/1966	Marks	.....	30/171
4,719,660	A	*	1/1988	Hopkins	.....	15/236.01 X
D422,125	S	*	3/2000	Sneed et al.	.....	D32/49

\* cited by examiner

*Primary Examiner*—Alan P. Douglas

*Assistant Examiner*—Lavone D. Tabor

(74) *Attorney, Agent, or Firm*—Hovey Williams LLP

(57) **CLAIM**

The ornamental design for an ice chisel, as shown and described.

**DESCRIPTION**

FIG. 1 is an isometric view of the ice chisel showing a new design;

FIG. 2 is a right side elevational view of the ice chisel;

FIG. 3 is a plan view of the ice chisel;

FIG. 4 is a left side elevational view of the ice chisel;

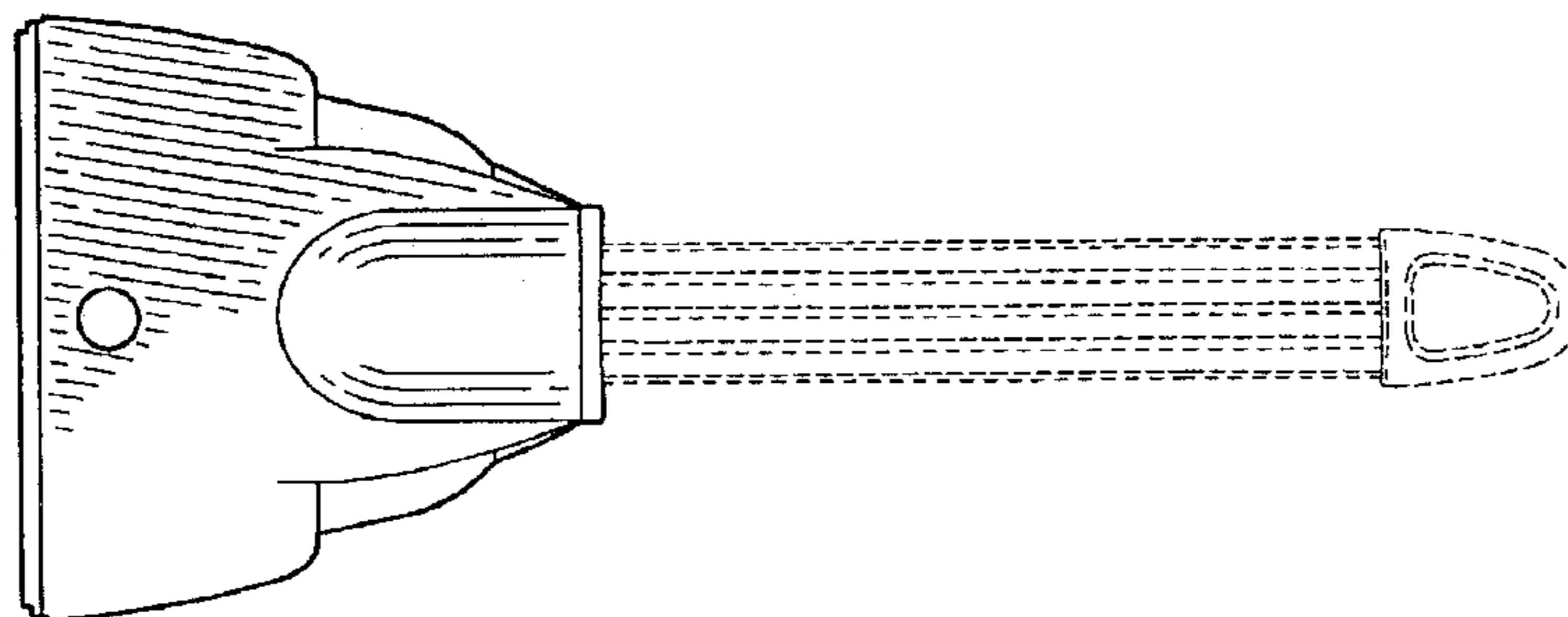
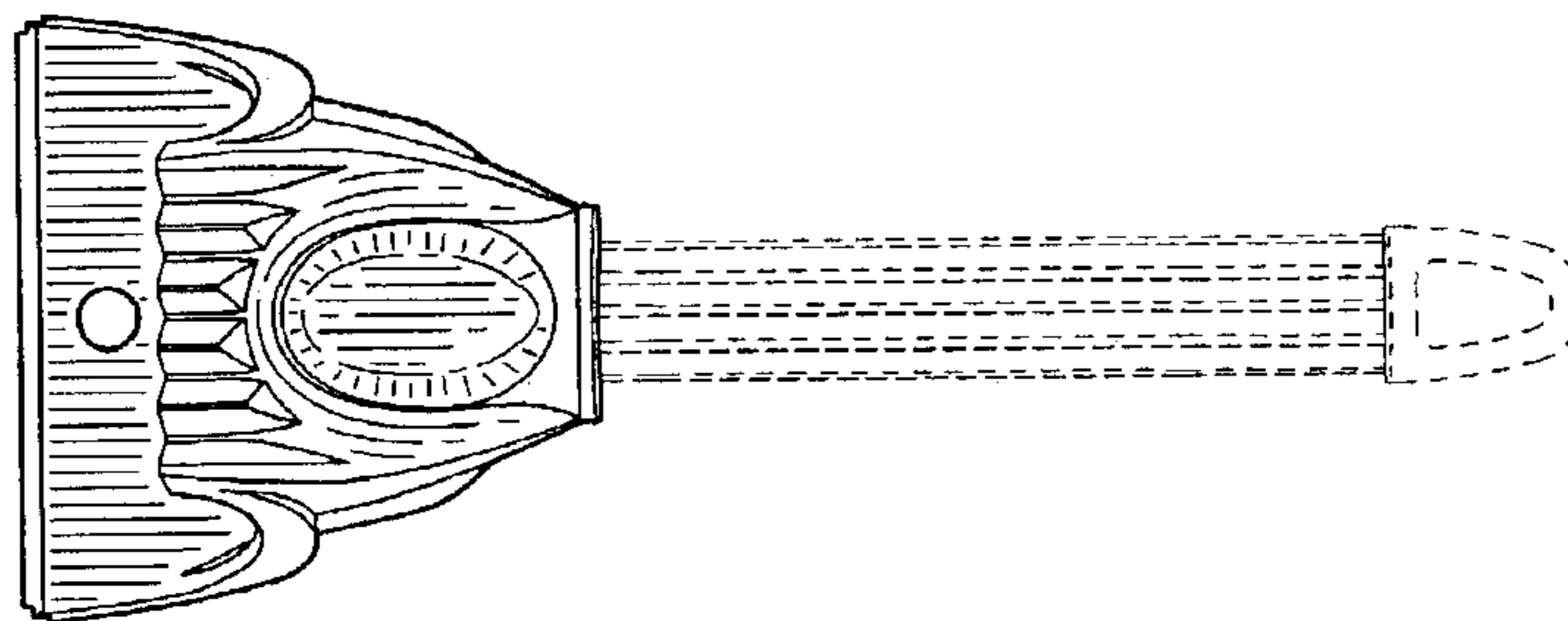
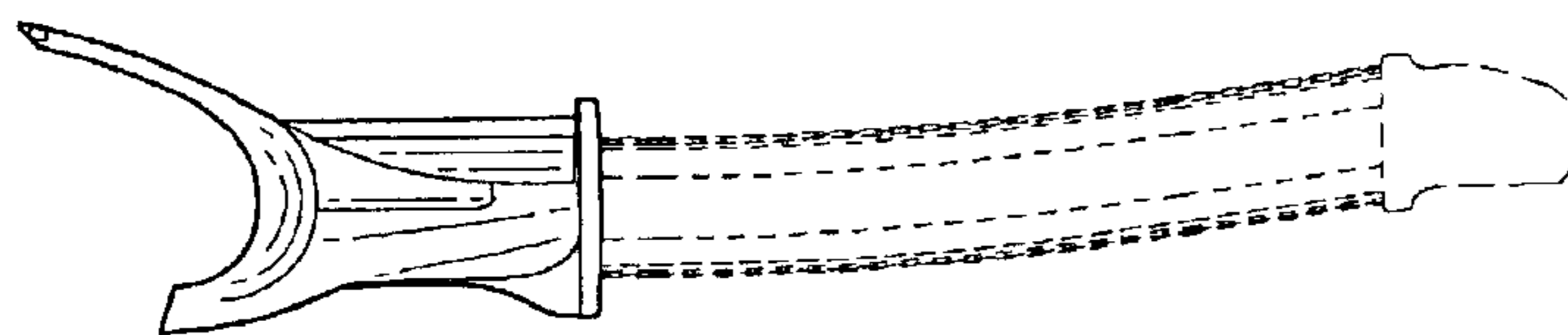
FIG. 5 is a bottom view of the ice chisel;

FIG. 6 is a front end view of the ice chisel; and,

FIG. 7 is a rear end view of the ice chisel.

The broken line structure shown in FIGS. 1–5 and 7 is for illustrative purposes only and forms no part of the claimed design.

**1 Claim, 3 Drawing Sheets**



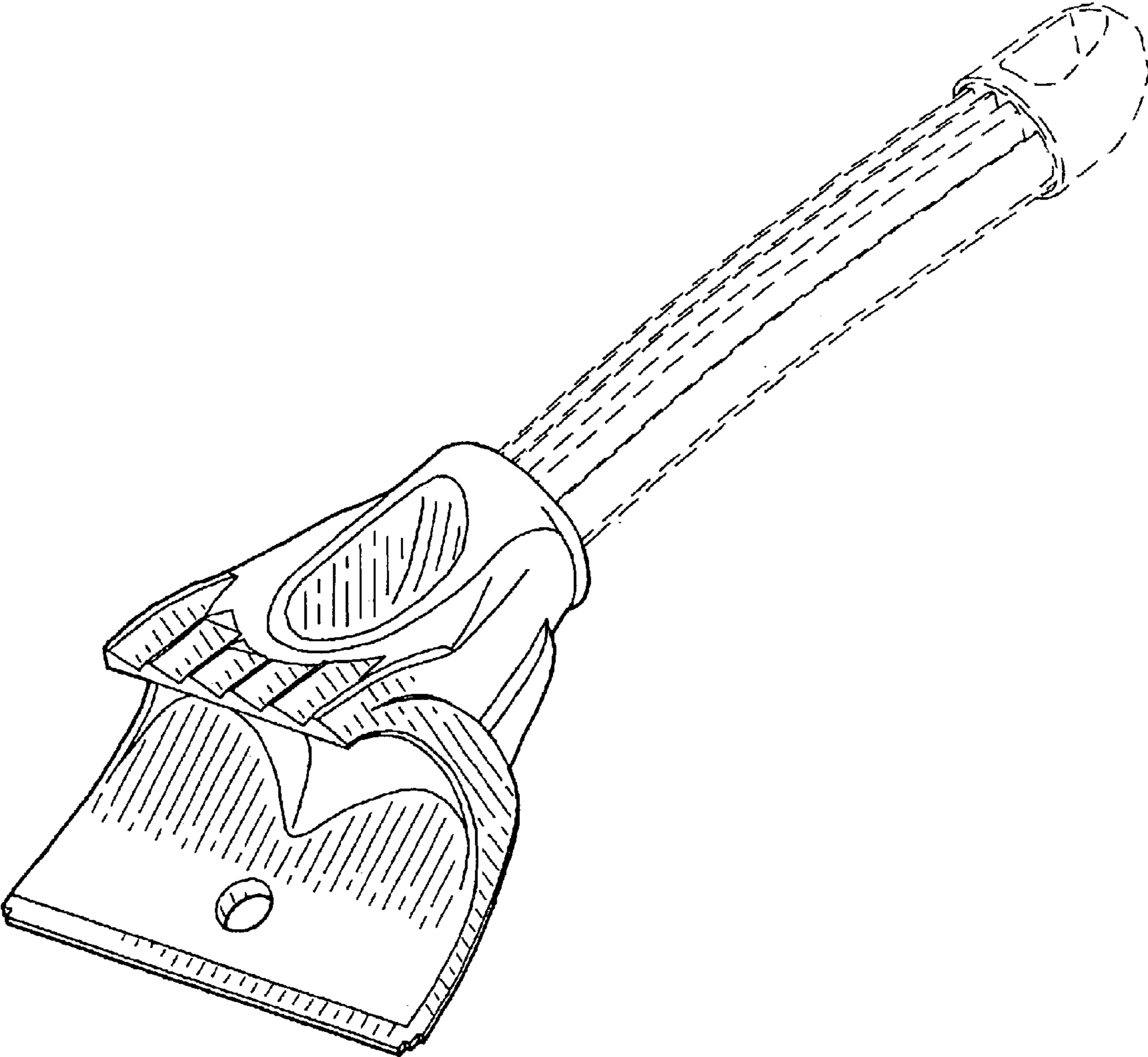


FIG. 1

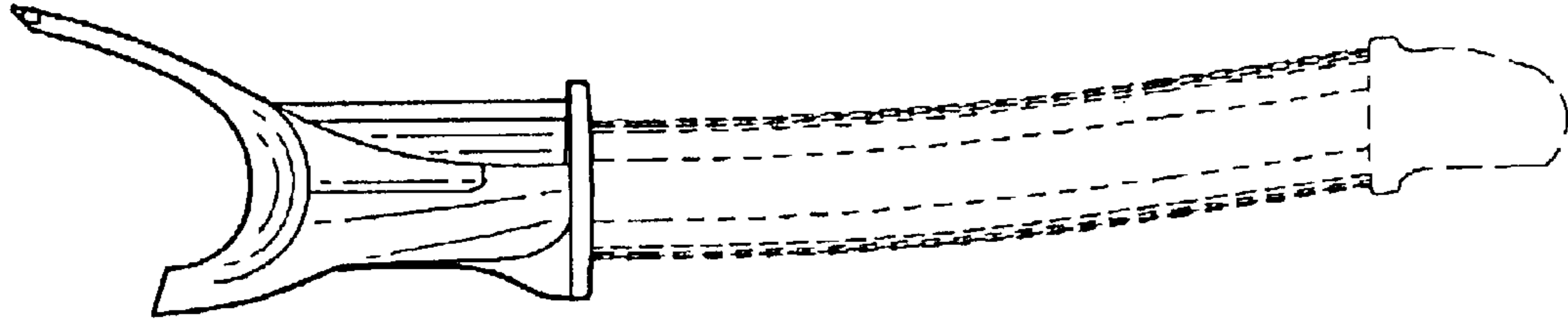


FIG. 2

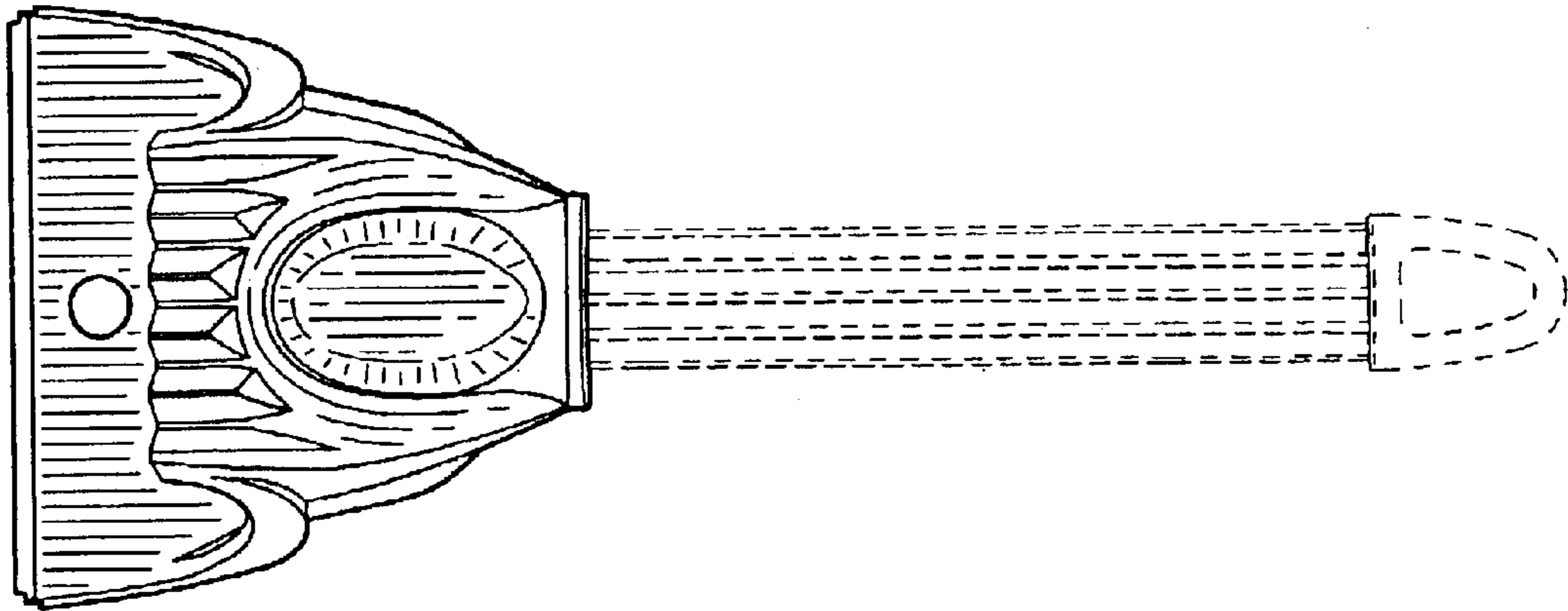


FIG. 3

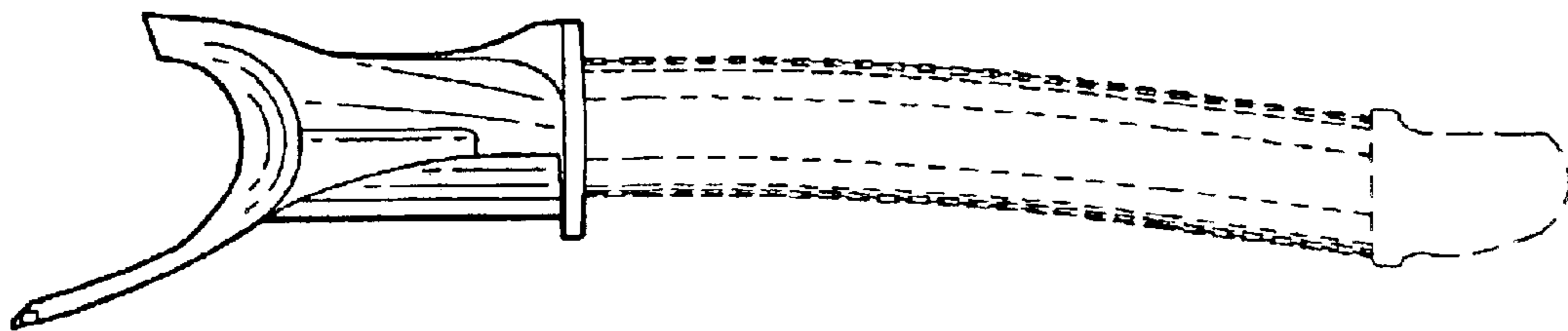


FIG. 4

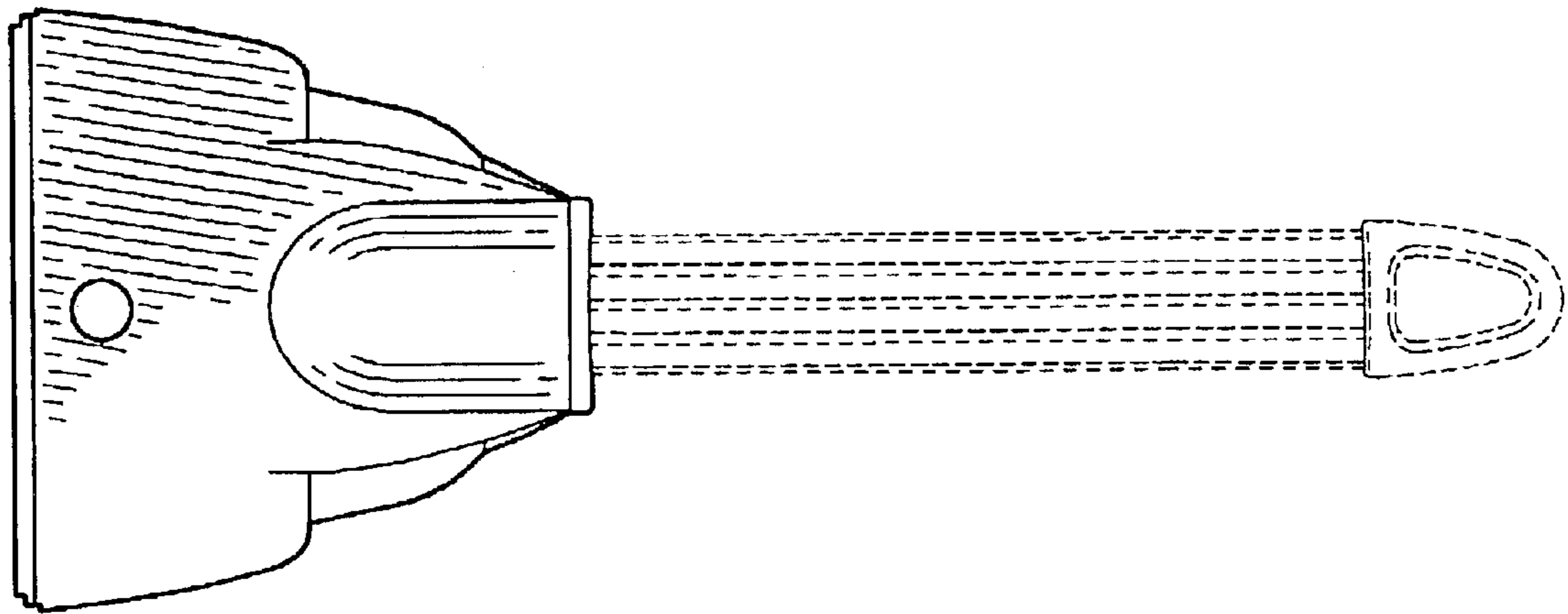


FIG. 5

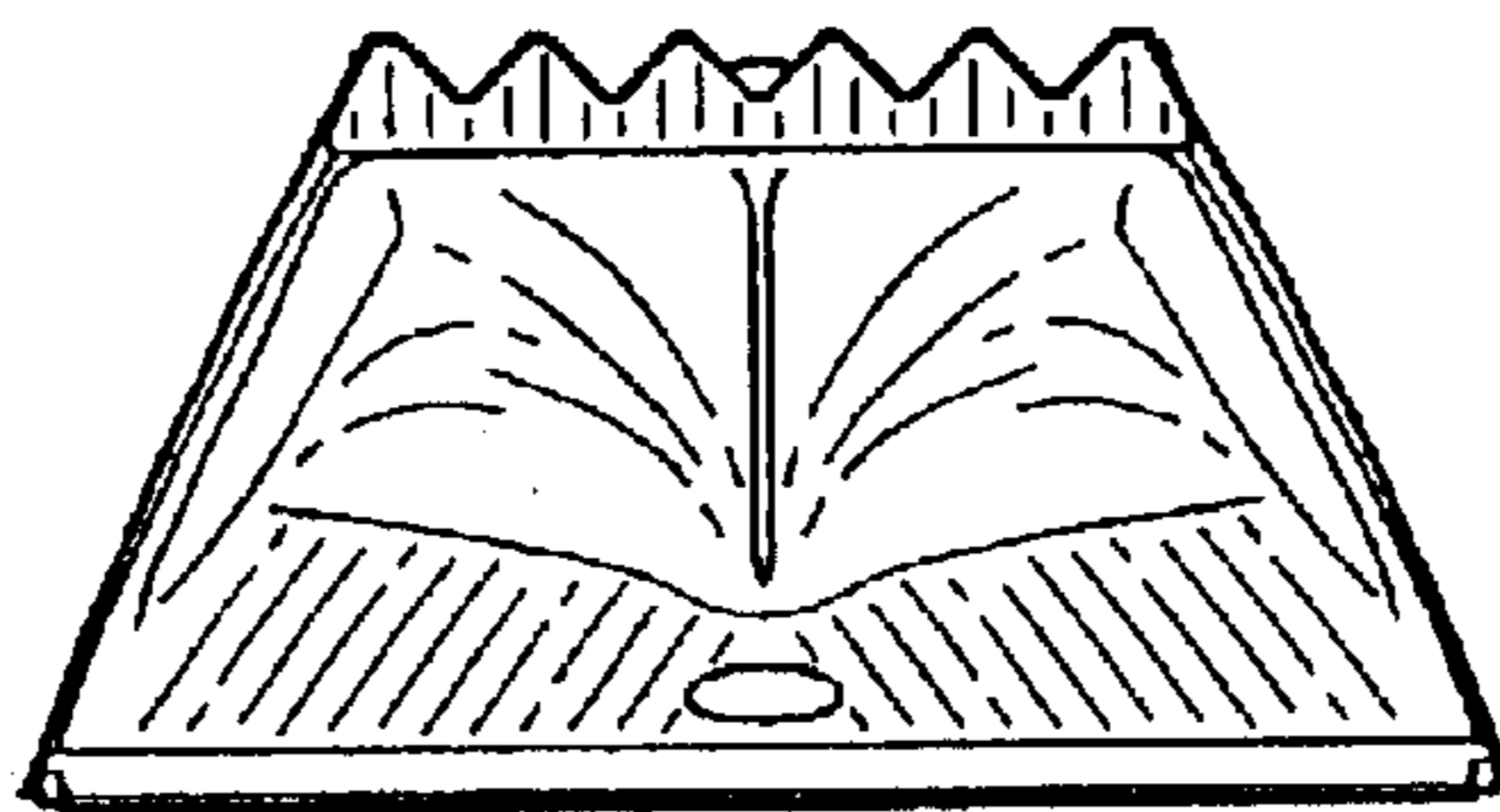


FIG. 6

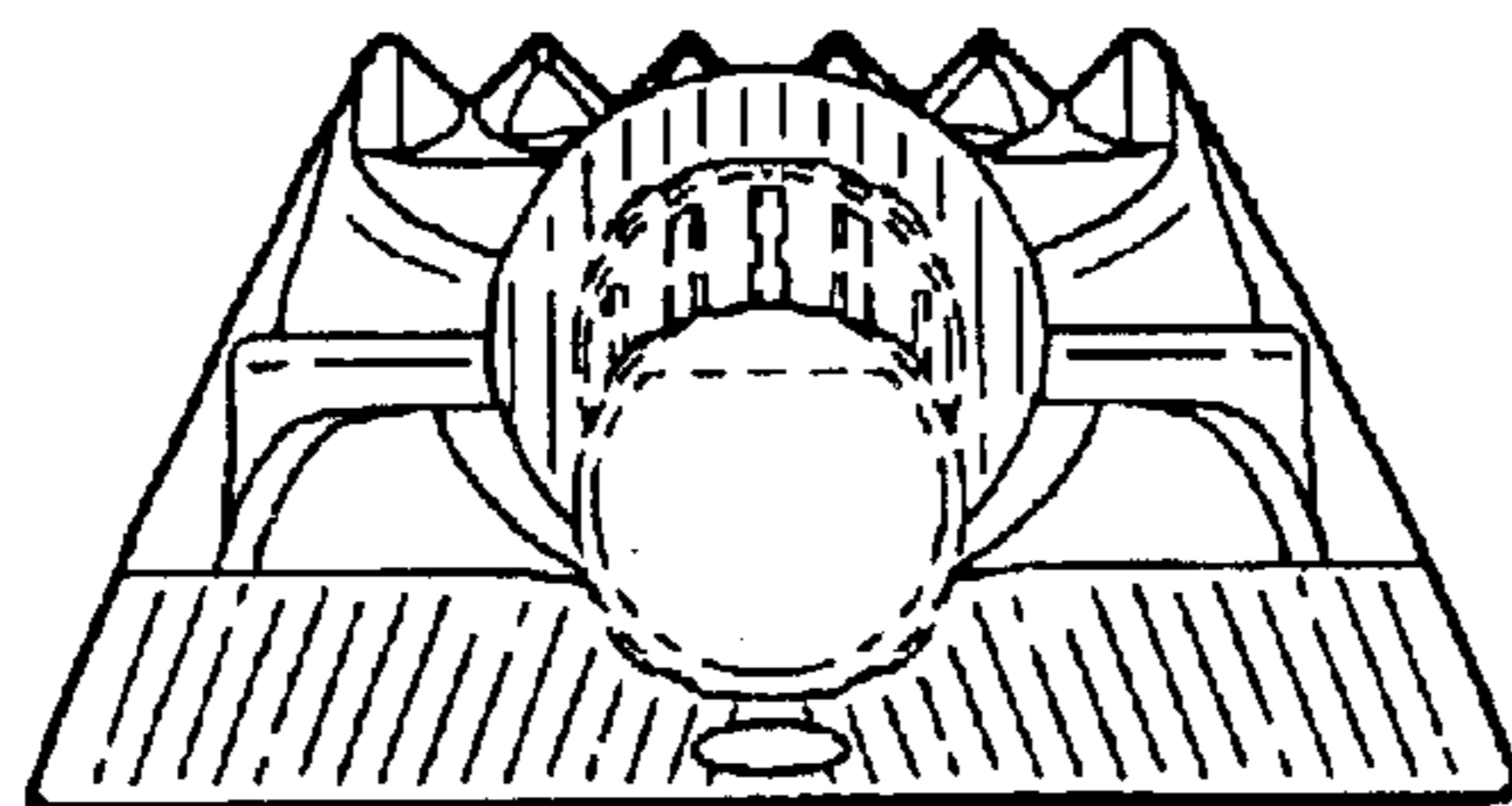


FIG. 7