

US00D498887S

(12) **United States Design Patent**
Kent

(10) **Patent No.:** **US D498,887 S**

(45) **Date of Patent:** **** Nov. 23, 2004**

(54) **UPRIGHT VACUUM CLEANER**

(75) **Inventor:** **Andrew John Kent, Tsuen Wan (HK)**

(73) **Assignee:** **Techtronic Industries Co., Ltd., New Territories (HK)**

(**) **Term:** **14 Years**

(21) **Appl. No.:** **29/182,591**

(22) **Filed:** **May 30, 2003**

(51) **LOC (7) Cl.** **15-05**

(52) **U.S. Cl.** **D32/22**

(58) **Field of Search** D32/38-39, 21-22,
D32/25, 31-34; 15/350-351, 347, 363,
41.1, 410, 412, 415.1-422, 422.1, 398,
400, 320-322, 1.7

(56) **References Cited**

U.S. PATENT DOCUMENTS

D426,357 S * 6/2000 Tsuruha et al. D32/22
D455,530 S * 4/2002 Fujii D32/22
D462,813 S * 9/2002 Nakano et al. D32/22
D462,814 S * 9/2002 Sugimoto D32/22

D463,078 S * 9/2002 Harada D32/22
D481,180 S * 10/2003 Fujii D32/22
D485,026 S * 1/2004 Brown D32/22
D485,027 S * 1/2004 Brown D32/22
D488,894 S * 4/2004 Leyden D32/22

FOREIGN PATENT DOCUMENTS

GB 2092999 6/2000

* cited by examiner

Primary Examiner—Ruth McInroy

(74) *Attorney, Agent, or Firm*—Leydig, Voit & Mayer, Ltd.

(57) **CLAIM**

I claim the ornamental design for an upright vacuum cleaner, as shown and described.

DESCRIPTION

FIG. 1 is a perspective view of an upright vacuum cleaner showing my new design;

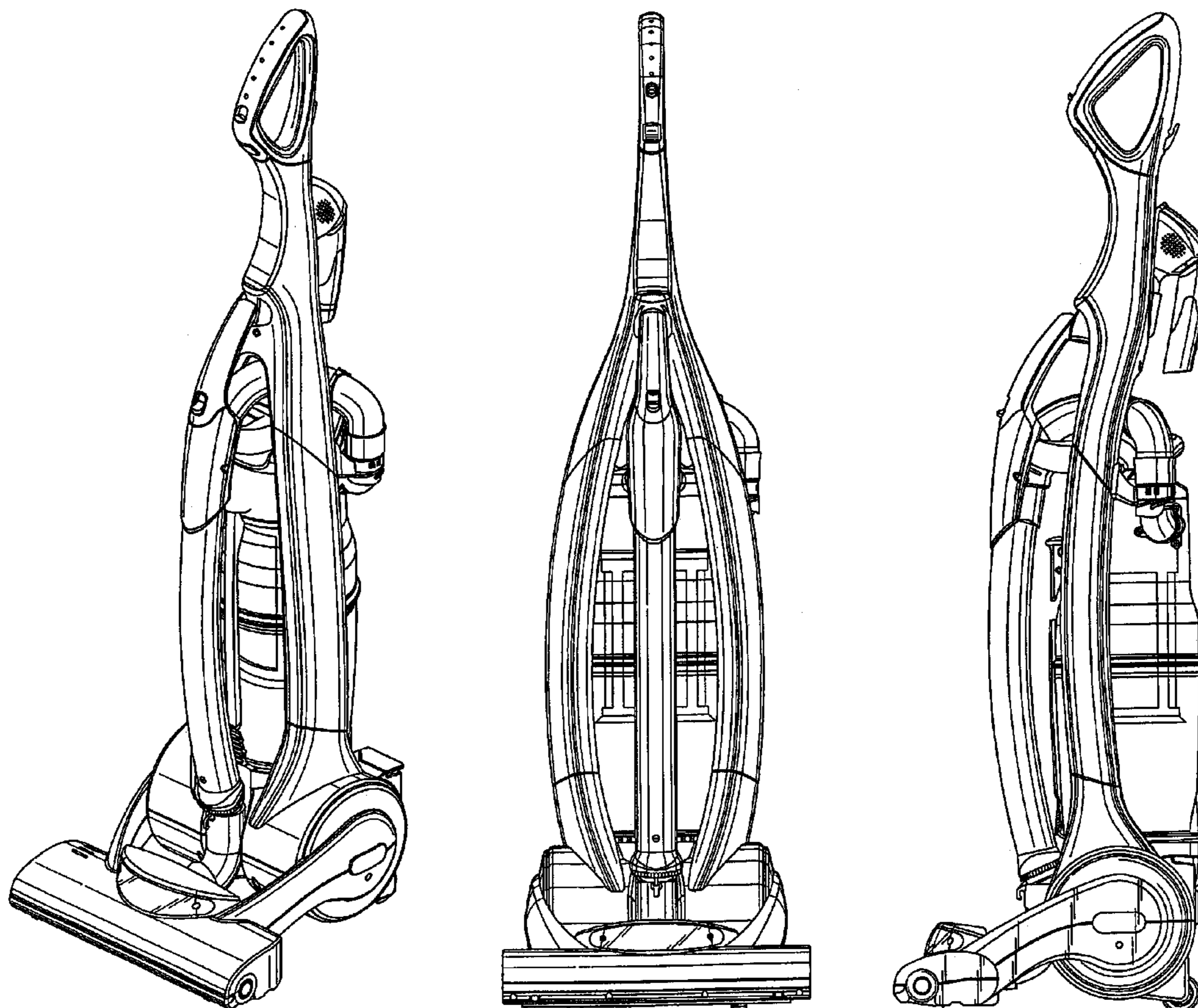
FIG. 2 is a front view thereof;

FIG. 3 is a rear view thereof;

FIG. 4 is a right side view thereof; and,

FIG. 5 is a left side view thereof.

1 Claim, 3 Drawing Sheets



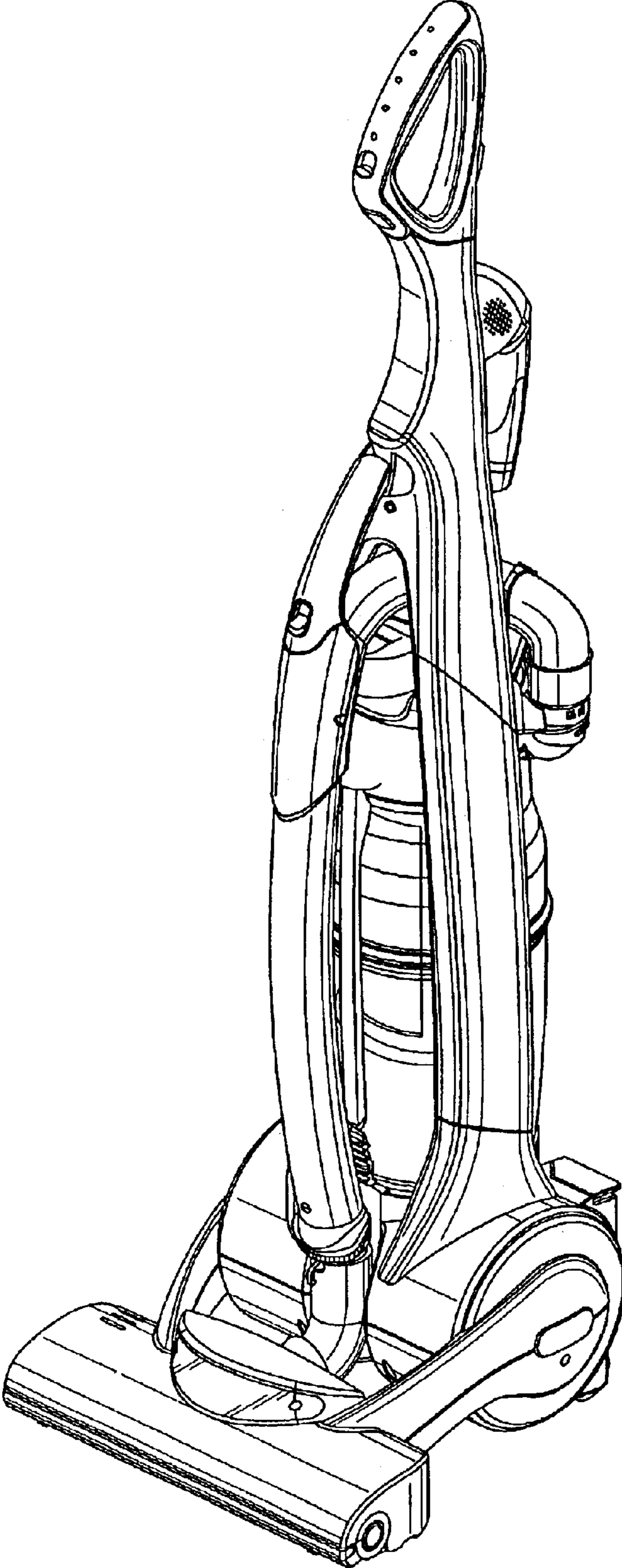


FIG. 1

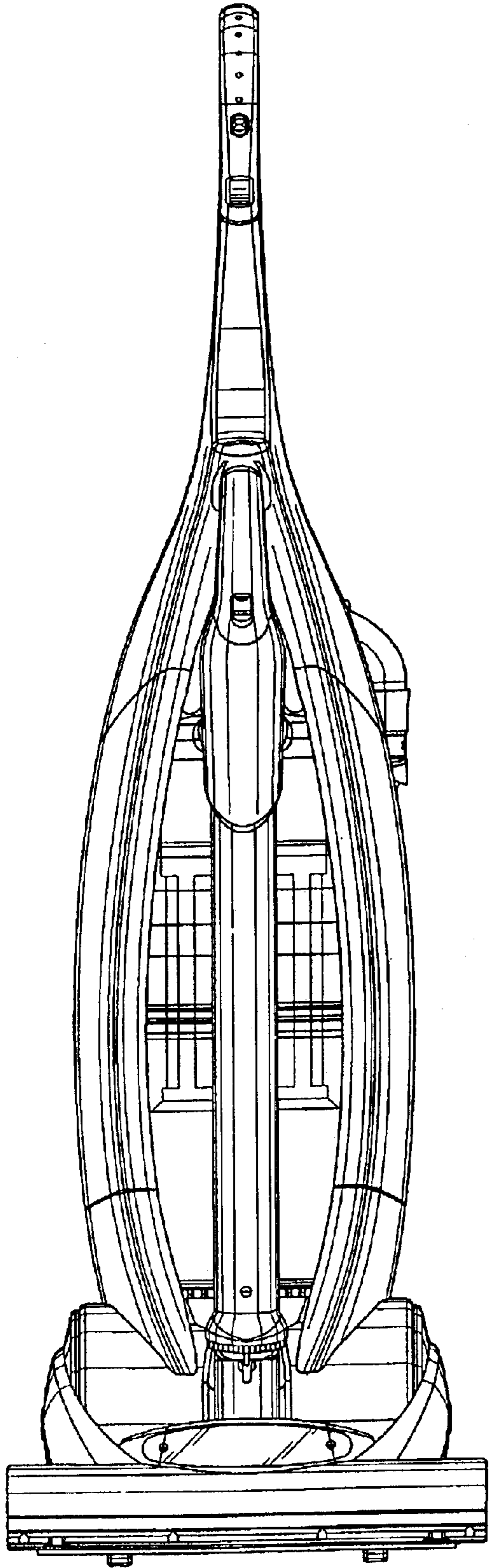


FIG. 2

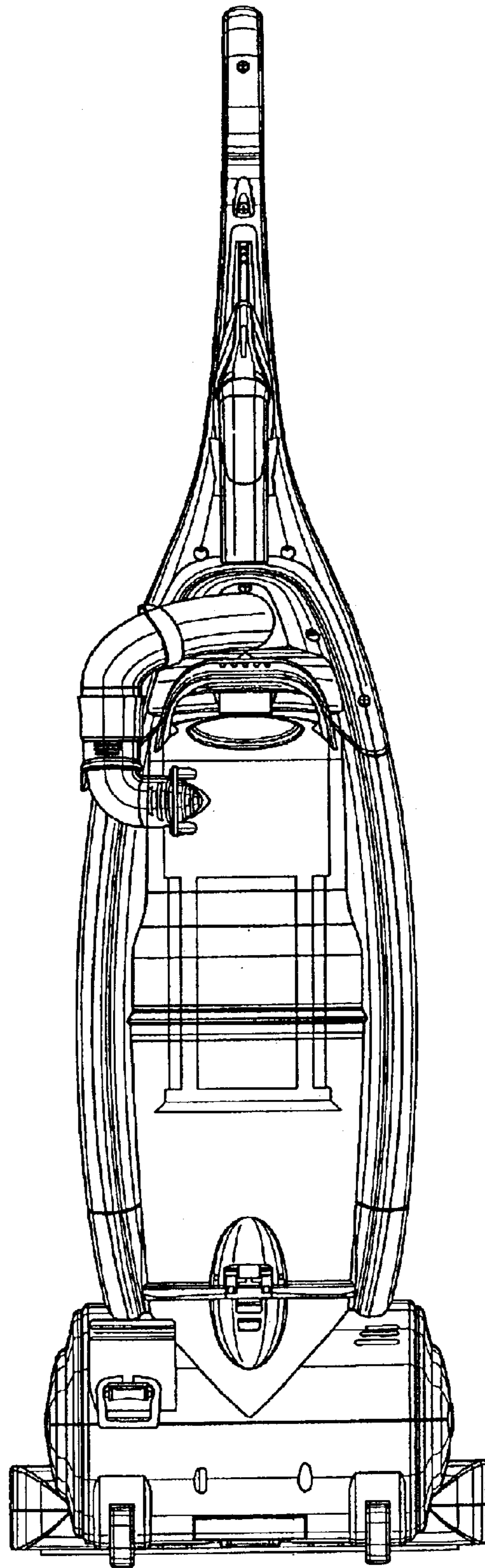


FIG. 3

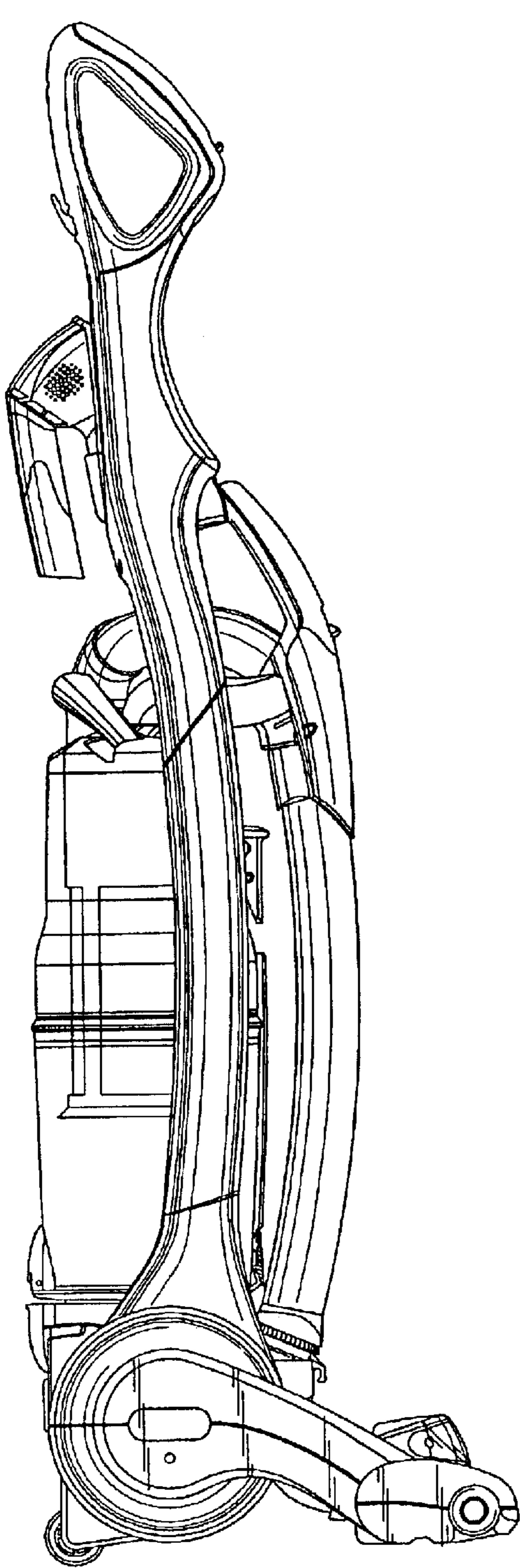


FIG. 4

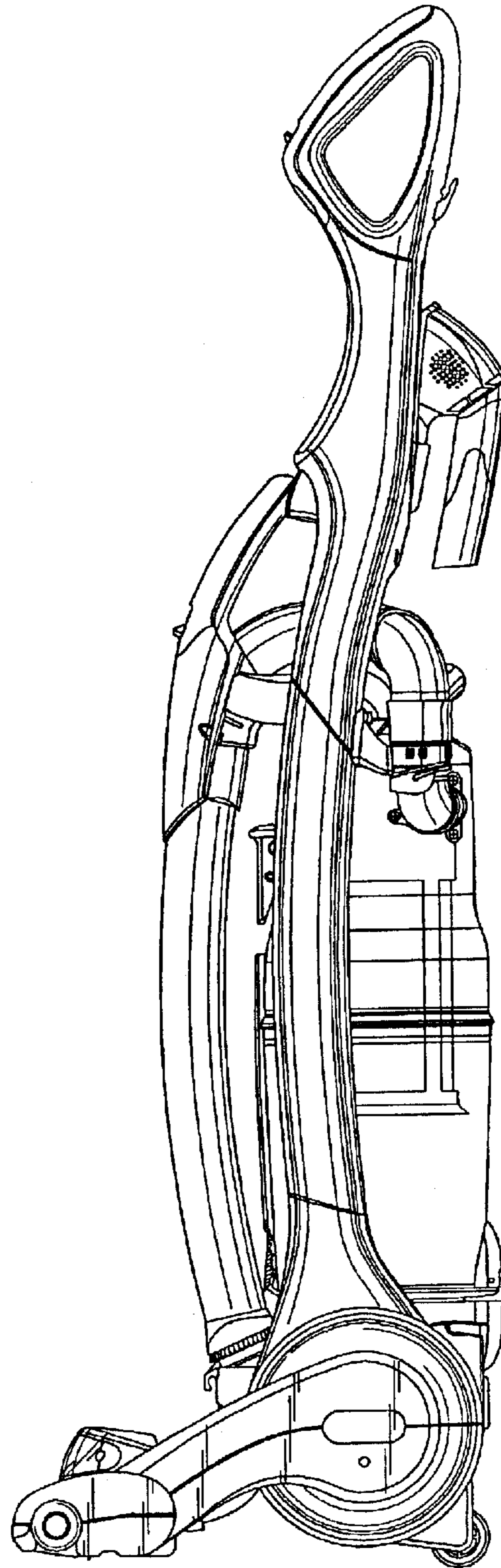


FIG. 5