



US00D498886S

(12) **United States Design Patent**
Fujii

(10) **Patent No.:** **US D498,886 S**

(45) **Date of Patent:** **** Nov. 23, 2004**

(54) **VACUUM CLEANER**

(75) **Inventor:** **Nobuhiro Fujii, Osaka-fu (JP)**

(73) **Assignee:** **Sharp Kabushiki Kaisha, Osaka (JP)**

(**) **Term:** **14 Years**

(21) **Appl. No.:** **29/185,410**

(22) **Filed:** **Jun. 27, 2003**

(30) **Foreign Application Priority Data**

Dec. 27, 2002 (JP) 2002-036605

(51) **LOC (7) Cl.** **15-05**

(52) **U.S. Cl.** **D32/21**

(58) **Field of Search** D32/17-18, 21-24,
D32/31, 34; 15/329, 344, 347, 327.1-327.7,
410-412, 350-353, 320-321, 324; 362/91;
285/7; 174/47; 96/225-226; 68/222; 392/404

(56) **References Cited**

U.S. PATENT DOCUMENTS

D285,734 S	9/1986	Haruguchi et al.
D296,944 S	7/1988	Yamamoto et al.
D311,613 S	10/1990	Kuriya
D315,431 S	3/1991	Ikeda et al.
D325,274 S	4/1992	Ikeda
D344,164 S	2/1994	Kuriya
D344,165 S	2/1994	Kuriya

D373,665 S	9/1996	Nakamura et al.
D398,093 S	9/1998	Fujima
D399,617 S	* 10/1998	Fujita D32/21
D417,046 S	* 11/1999	Tsuruha et al. D32/21
D430,366 S	* 8/2000	Sato et al. D32/21
D445,226 S	* 7/2001	Jupp D32/21
D448,128 S	* 9/2001	Oh D32/21
D460,843 S	7/2002	Saimen et al.
D485,653 S	* 1/2004	Warburton D32/21
D490,580 S	* 5/2004	Choi D32/21

* cited by examiner

Primary Examiner—Ruth McInroy

(74) *Attorney, Agent, or Firm*—Nixon & Vanderhye PC

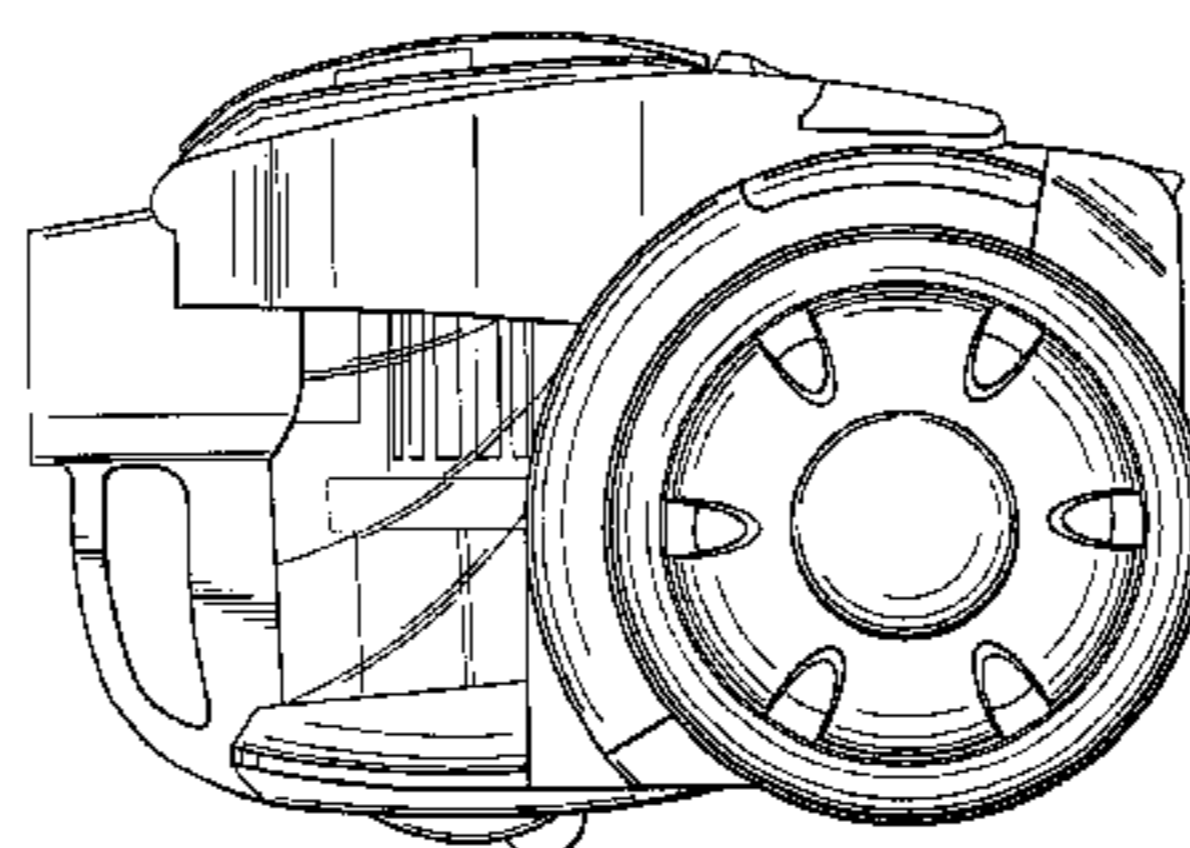
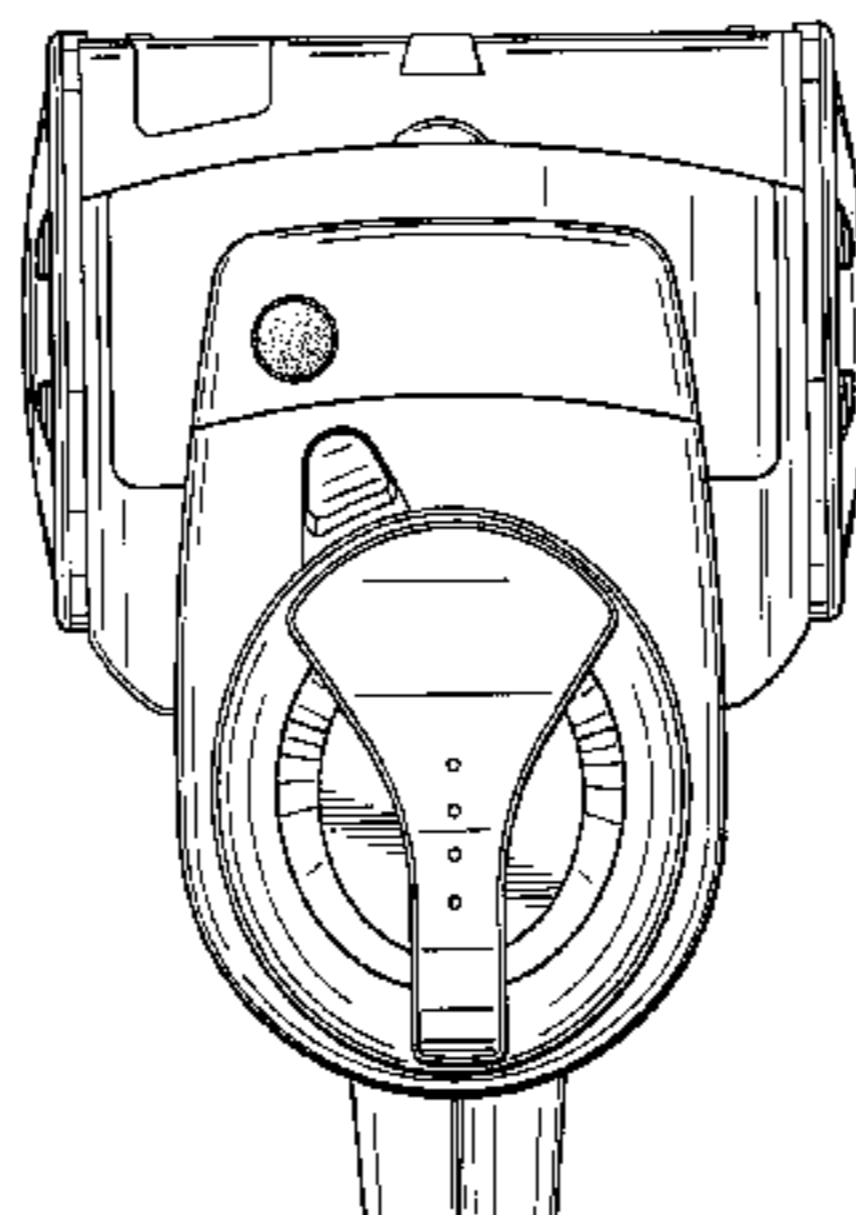
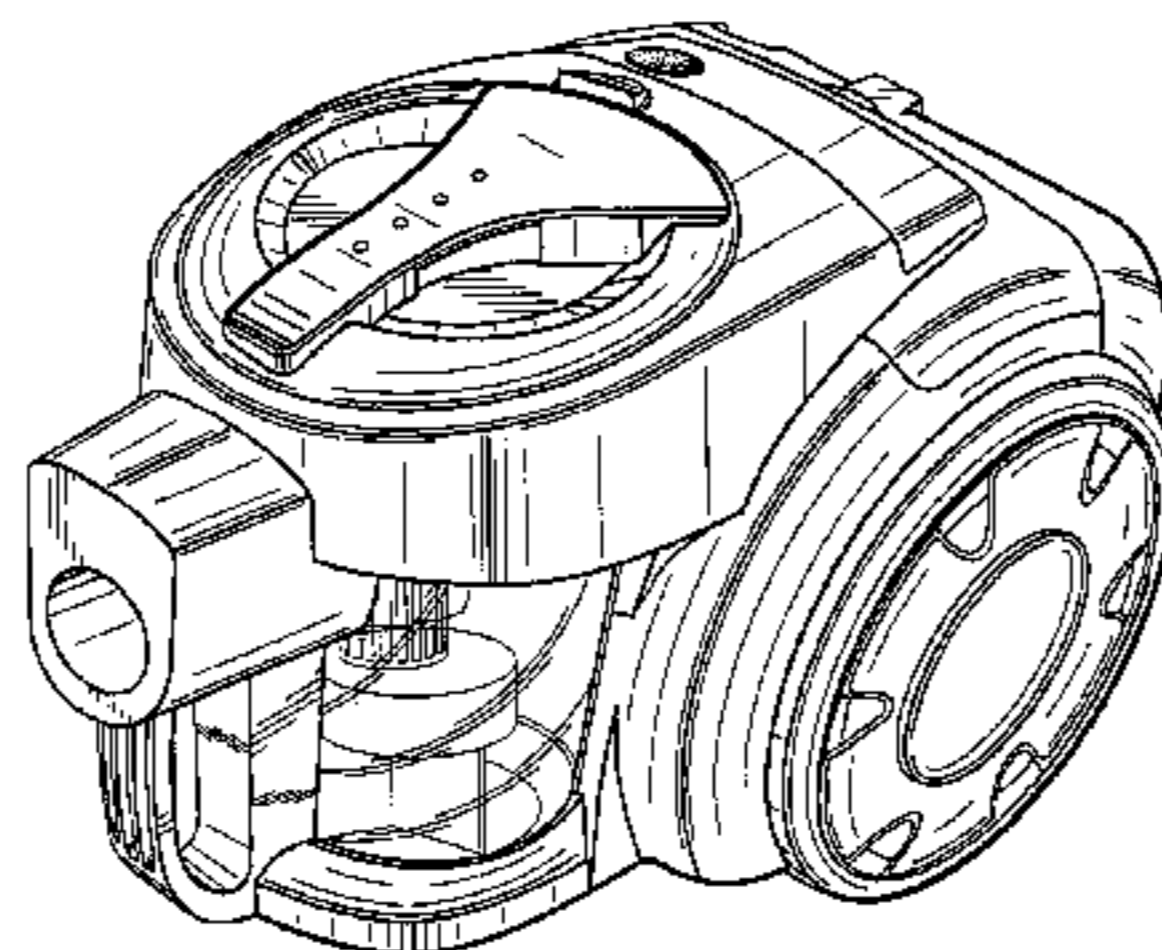
(57) **CLAIM**

The ornamental design for a vacuum cleaner, as shown and described.

DESCRIPTION

FIG. 1 is a top, front and right side perspective view of a vacuum cleaner showing my new design;
FIG. 2 is a front elevational view thereof;
FIG. 3 is a rear elevational view thereof;
FIG. 4 is a top plan view thereof;
FIG. 5 is a bottom plan view thereof;
FIG. 6 is a right side elevational view thereof; and,
FIG. 7 is a left side elevational view thereof.

1 Claim, 5 Drawing Sheets



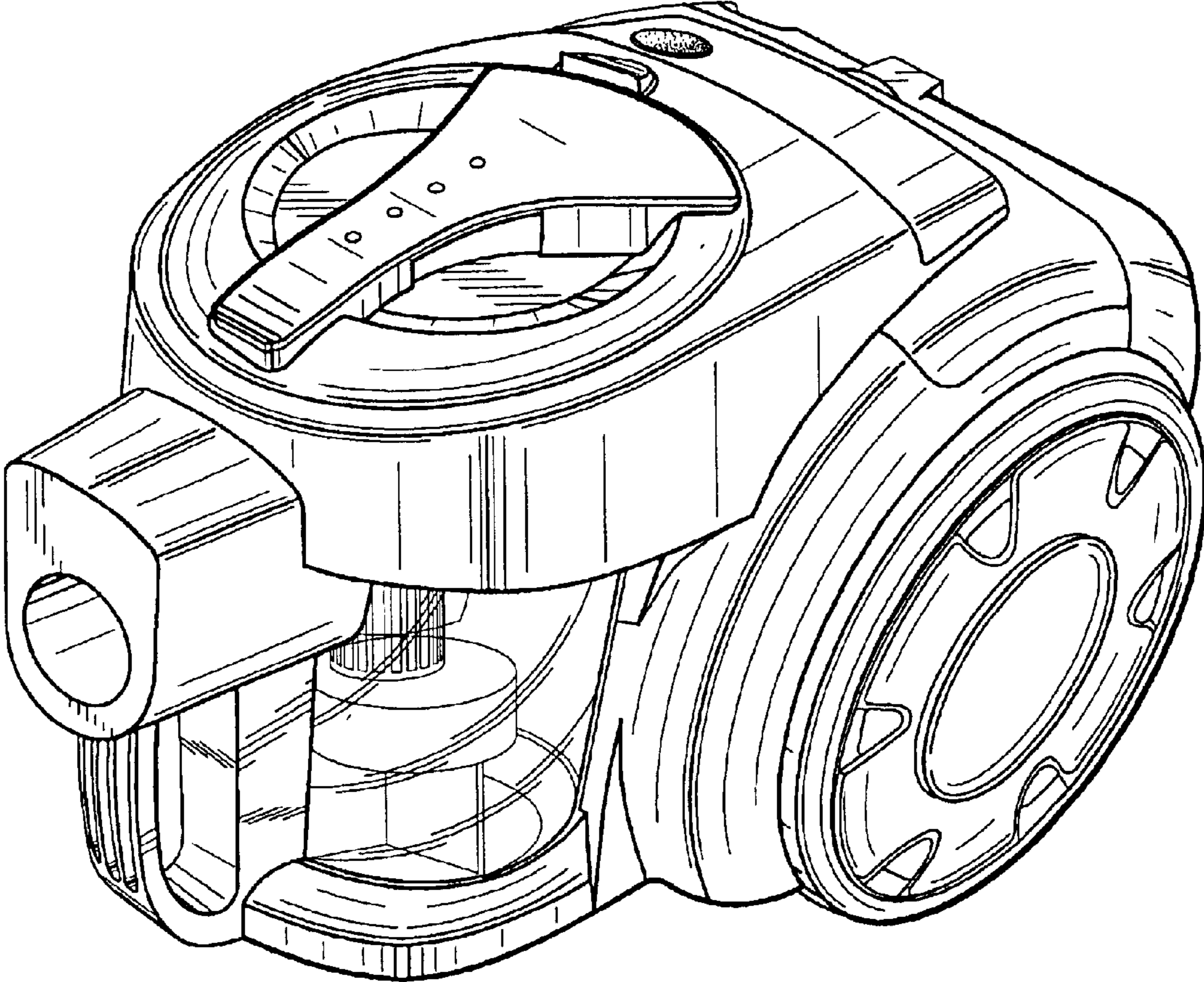


Fig.1

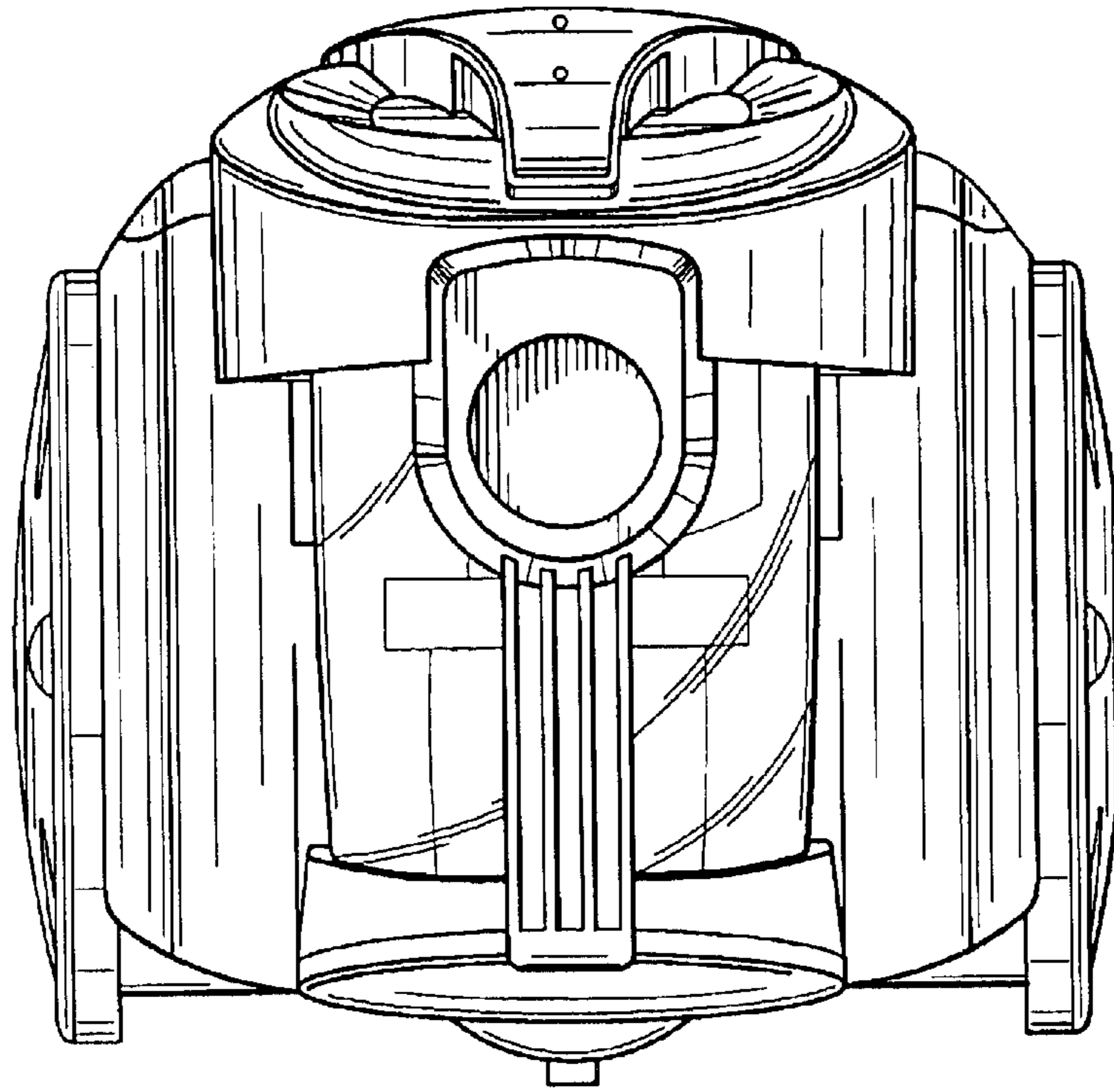


Fig.2

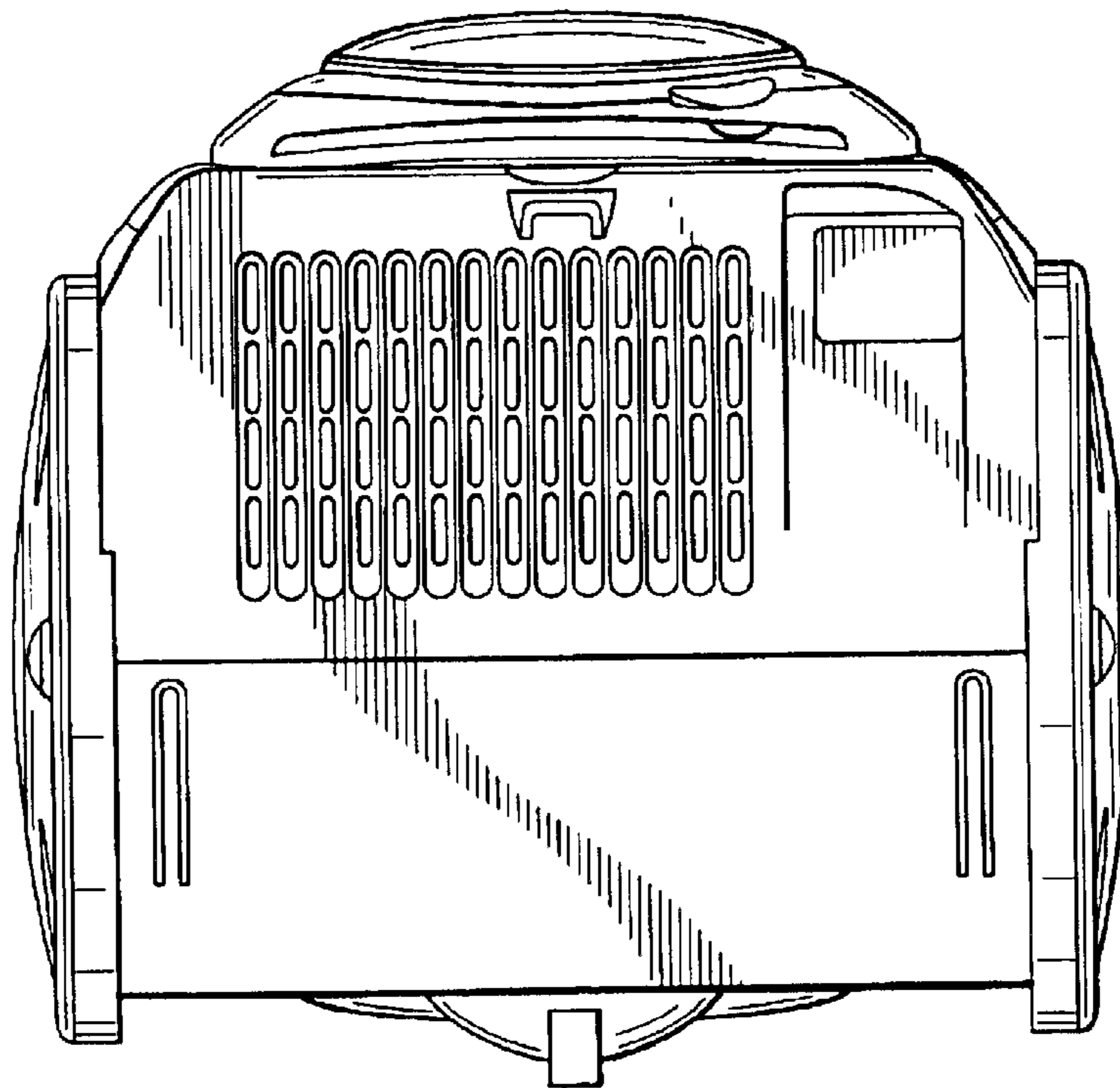


Fig.3

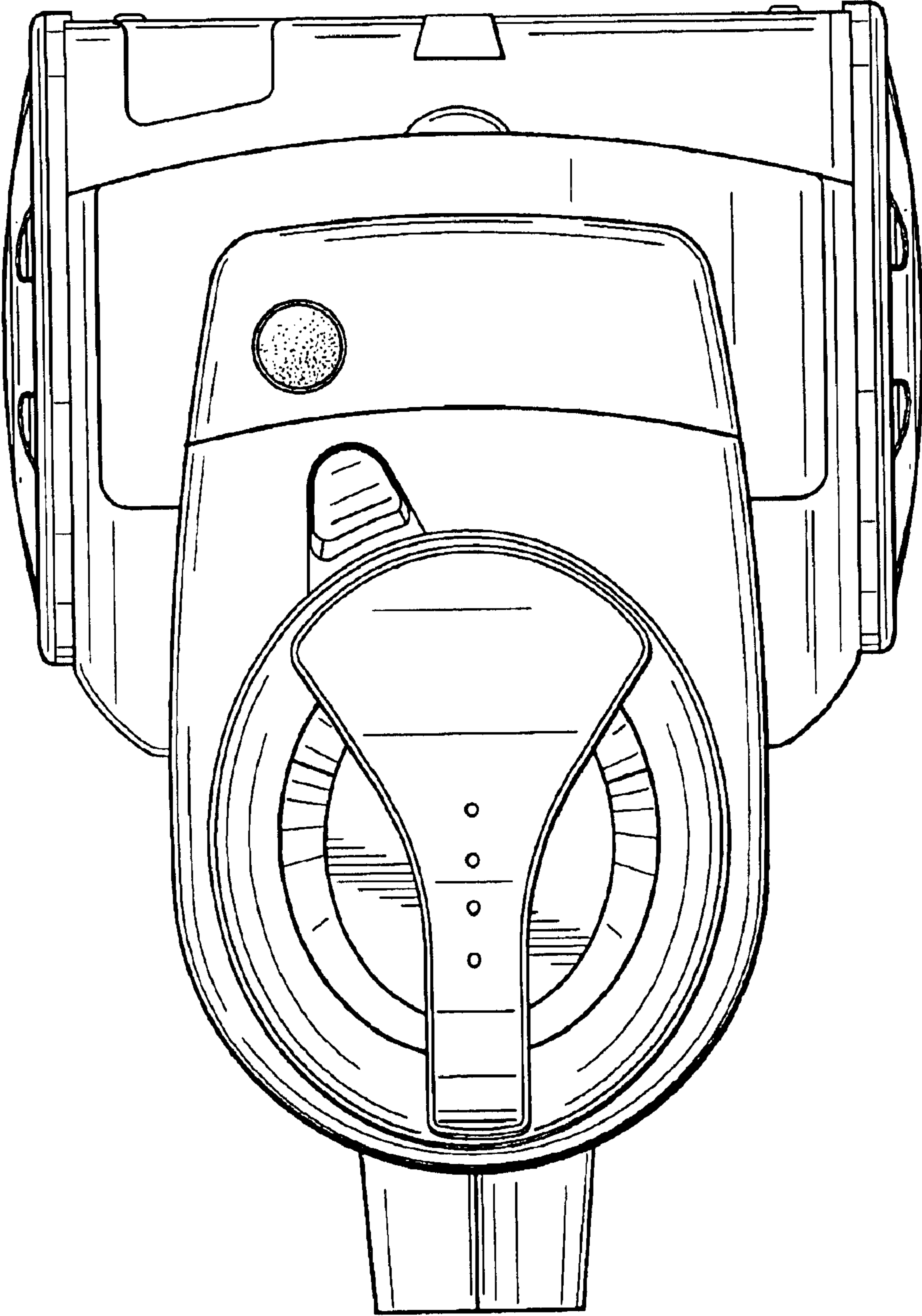


Fig.4

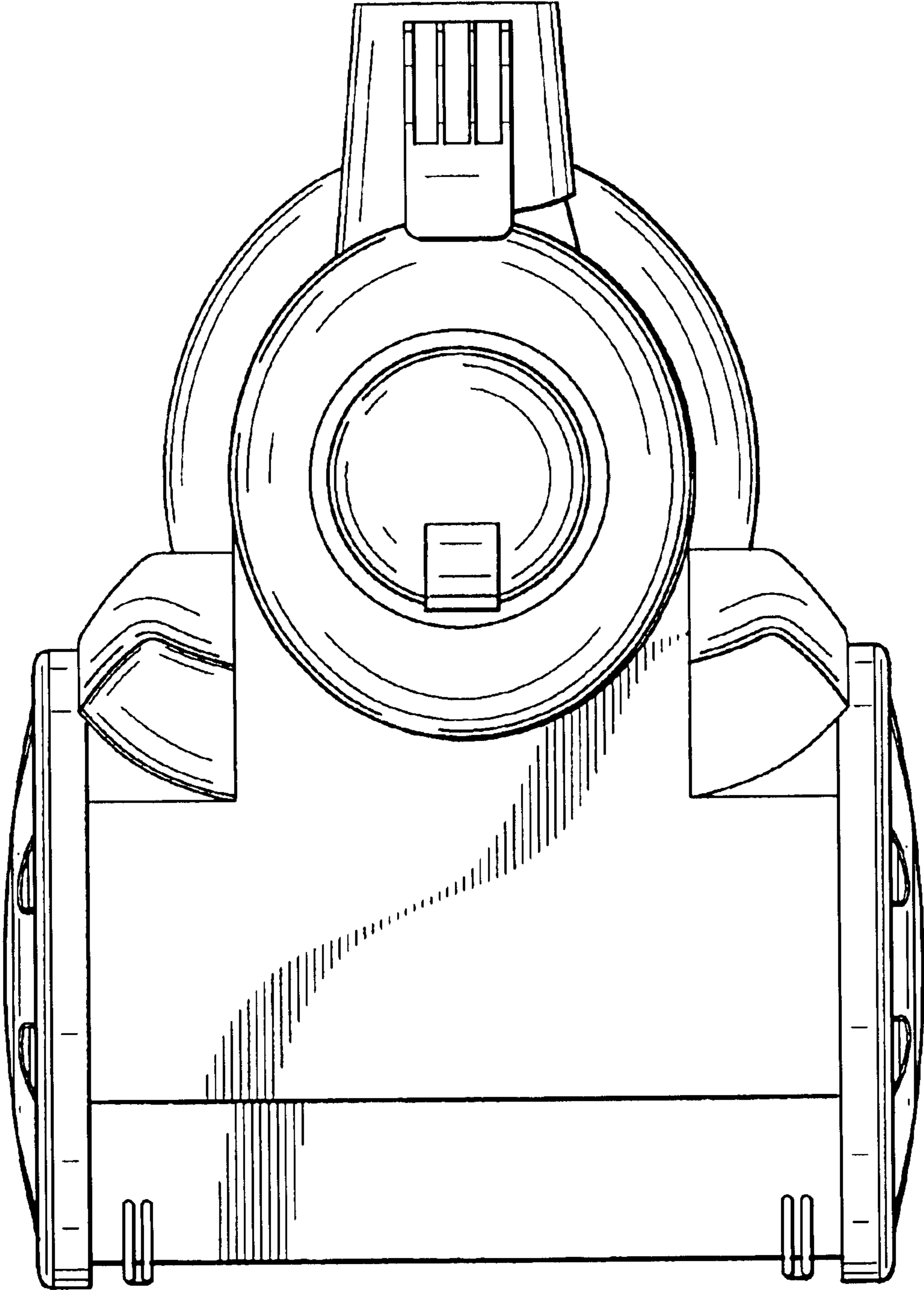


Fig.5

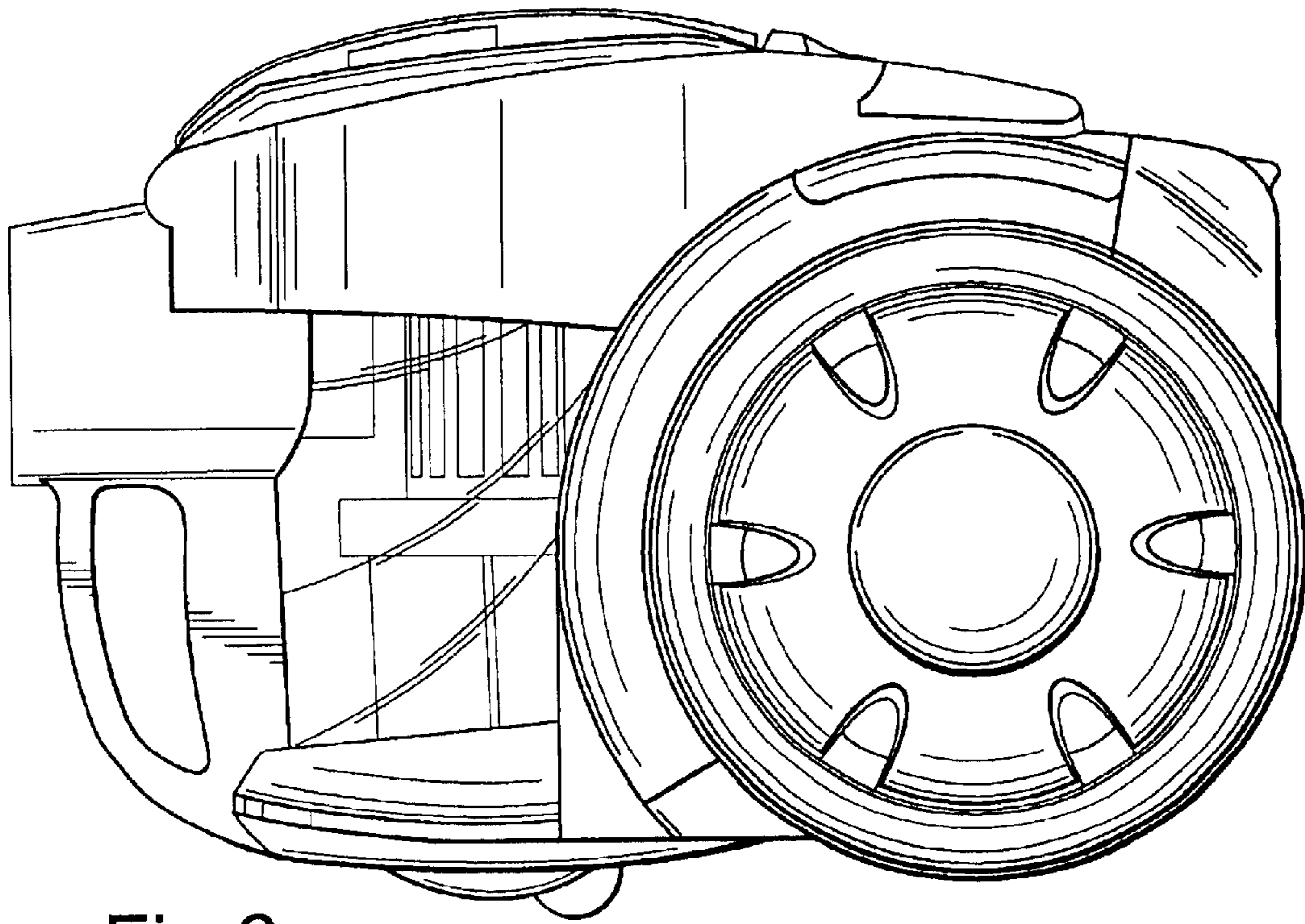


Fig.6

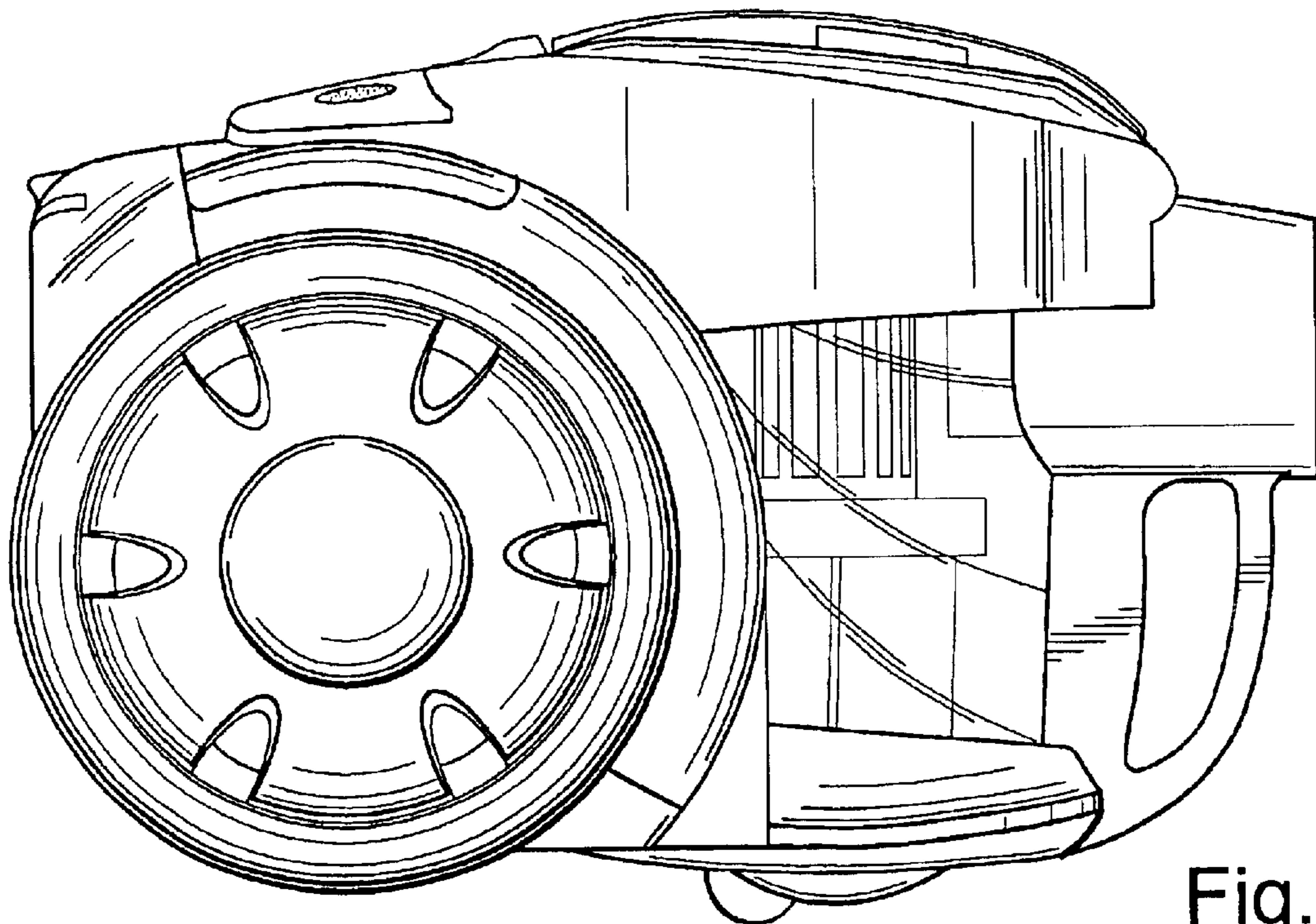


Fig.7