



US00D498879S

(12) **United States Design Patent**
Martinez

(10) **Patent No.:** **US D498,879 S**

(45) **Date of Patent:** **** Nov. 23, 2004**

(54) **COMPACT**

D486,944 S * 2/2004 Bernard D28/78

(75) Inventor: **Sabine Martinez**, New York, NY (US)

OTHER PUBLICATIONS

(73) Assignee: **L'Oreal USA Creative, Inc.**, New York, NY (US)

Items 19 and 20, Estee Lauder Advertisement, Spring '93, Compact Publication Box D28.*

(**) Term: **14 Years**

* cited by examiner

(21) Appl. No.: **29/199,054**

Primary Examiner—Jennifer Rivard

(22) Filed: **Feb. 9, 2004**

(74) *Attorney, Agent, or Firm*—Baker Botts L.L.P.

(51) **LOC (7) Cl.** **28-03**

(52) **U.S. Cl.** **D28/83**

(58) **Field of Search** D28/73, 76–84;
132/293–307, 313–318; 206/581, 823

(57) **CLAIM**

I claim the ornamental design for the compact, as shown and described.

(56) **References Cited**

DESCRIPTION

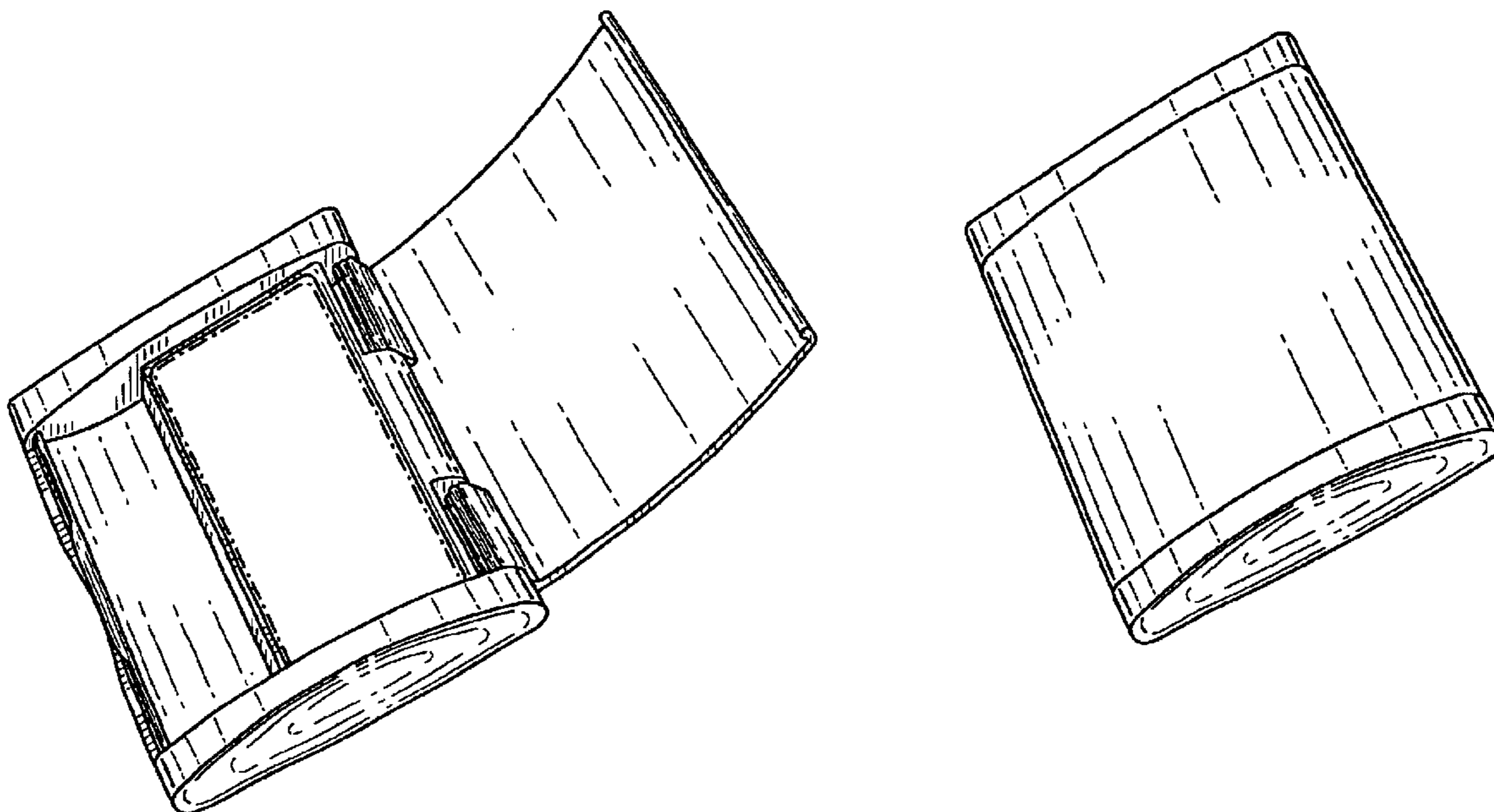
U.S. PATENT DOCUMENTS

D267,983 S	2/1983	Cheung	D28/67
D347,089 S	5/1994	Byars et al.	D28/83
5,353,947 A	10/1994	Zinnbauer et al.	220/331
5,638,838 A	6/1997	Lombardi	132/294
D401,017 S	11/1998	Thorpe	D28/78
D404,533 S	1/1999	Morgan	D28/78
D407,853 S	4/1999	Morgan	D28/78
D407,855 S	4/1999	Orsomando	D28/83
D407,856 S	4/1999	Orsomando	D28/83
D410,569 S	6/1999	Morgan	D28/78
D428,210 S	7/2000	Gavin	D28/83
D428,211 S	7/2000	Gavin	D28/83
D431,881 S	10/2000	Gavin	D28/78
D433,539 S	11/2000	Gavin	D28/78
D433,773 S	* 11/2000	Gavin	D28/83
D434,189 S	11/2000	Gavin	D28/78
D434,875 S	12/2000	Gavin	D28/83
D478,397 S	* 8/2003	Bakic	D28/83

FIG. 1 is a three-dimensional perspective view of the compact with the cover open;
FIG. 2 is a front view of the compact with the cover open;
FIG. 3 is a rear view of the compact with the cover open;
FIG. 4 is a side view of the compact with the cover open;
FIG. 5 is a top view of the compact with the cover open;
FIG. 6 is a bottom view of the compact with the cover open;
FIG. 7 is a three dimensional perspective view of the compact with the cover closed;
FIG. 8 is a front view of the compact with the cover closed;
FIG. 9 is a rear view of the compact with the cover closed;
FIG. 10 is a side view of the compact with the cover closed;
FIG. 11 is a top view of the compact with the cover closed;
and,
FIG. 12 is a bottom view of the compact with the cover closed.

The broken lines are shown for illustrative purposes only and form no part of the claimed design.

1 Claim, 4 Drawing Sheets



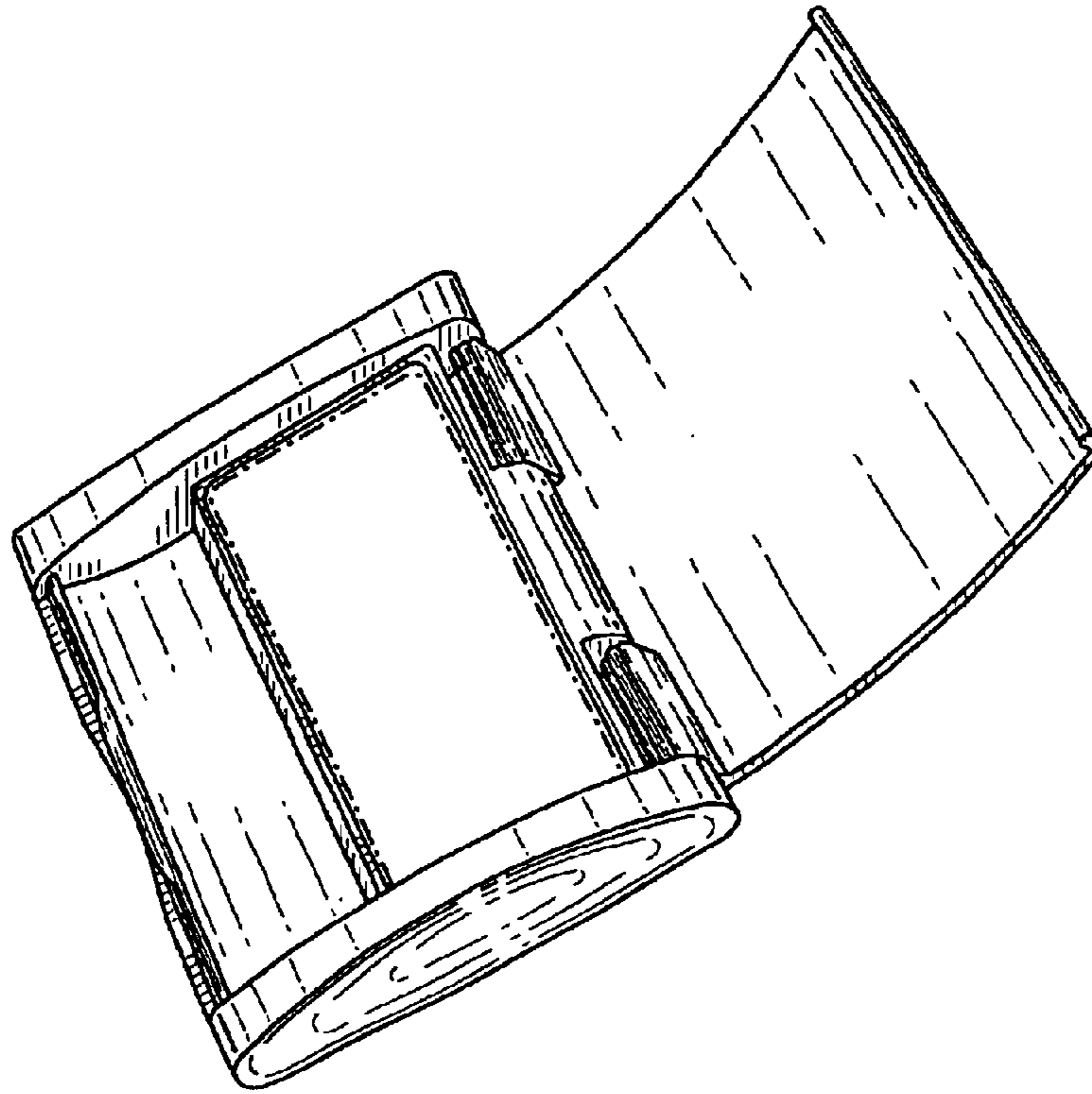


FIG. 1

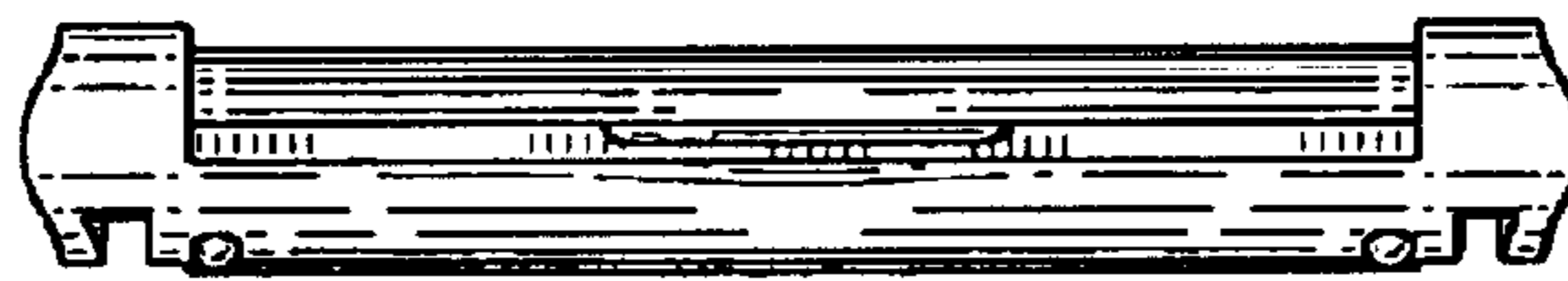


FIG. 2

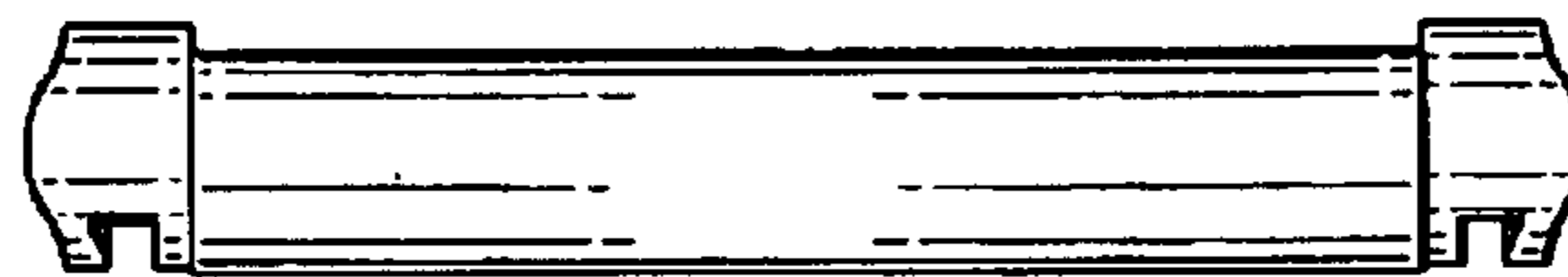


FIG. 3



FIG. 4

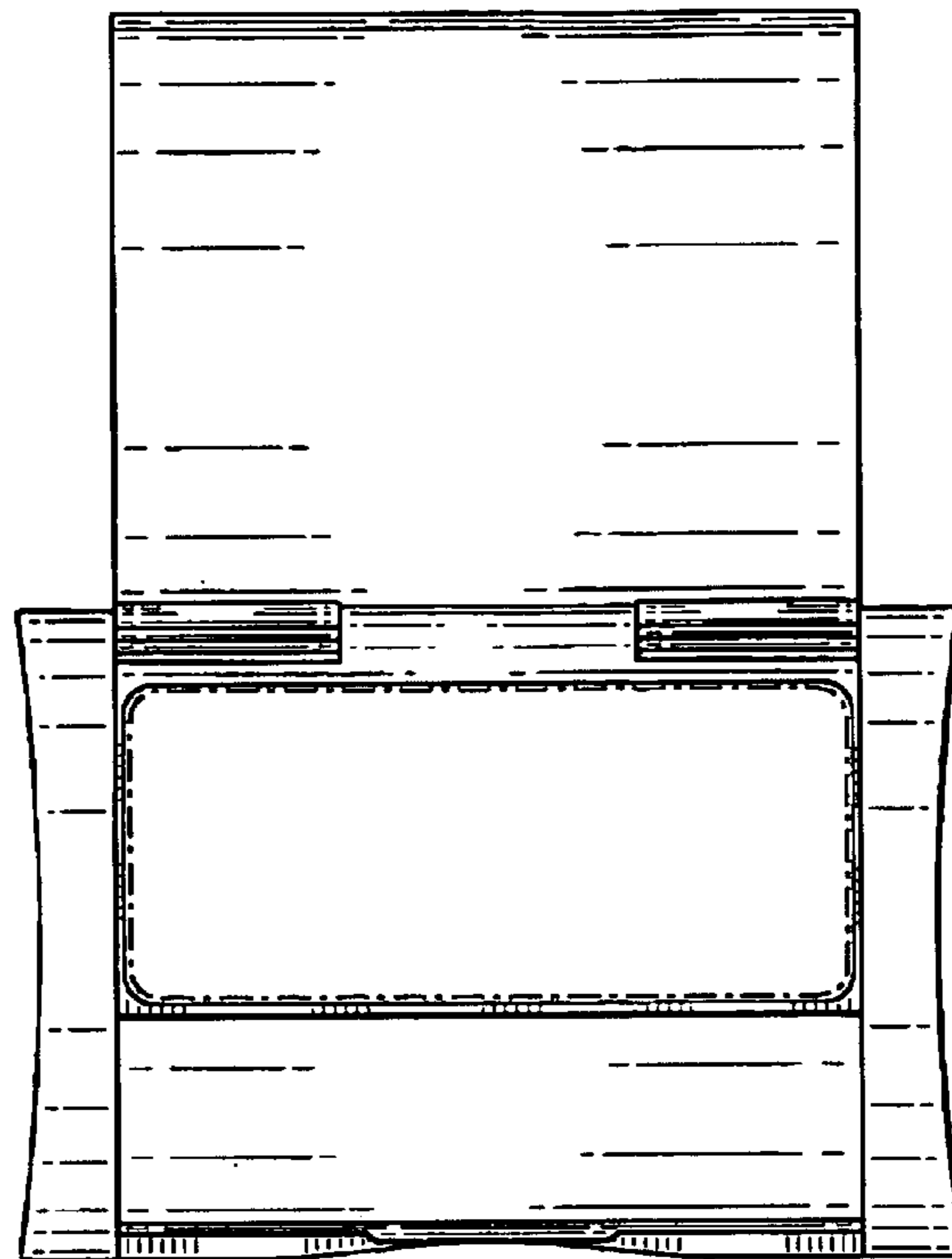


FIG. 5

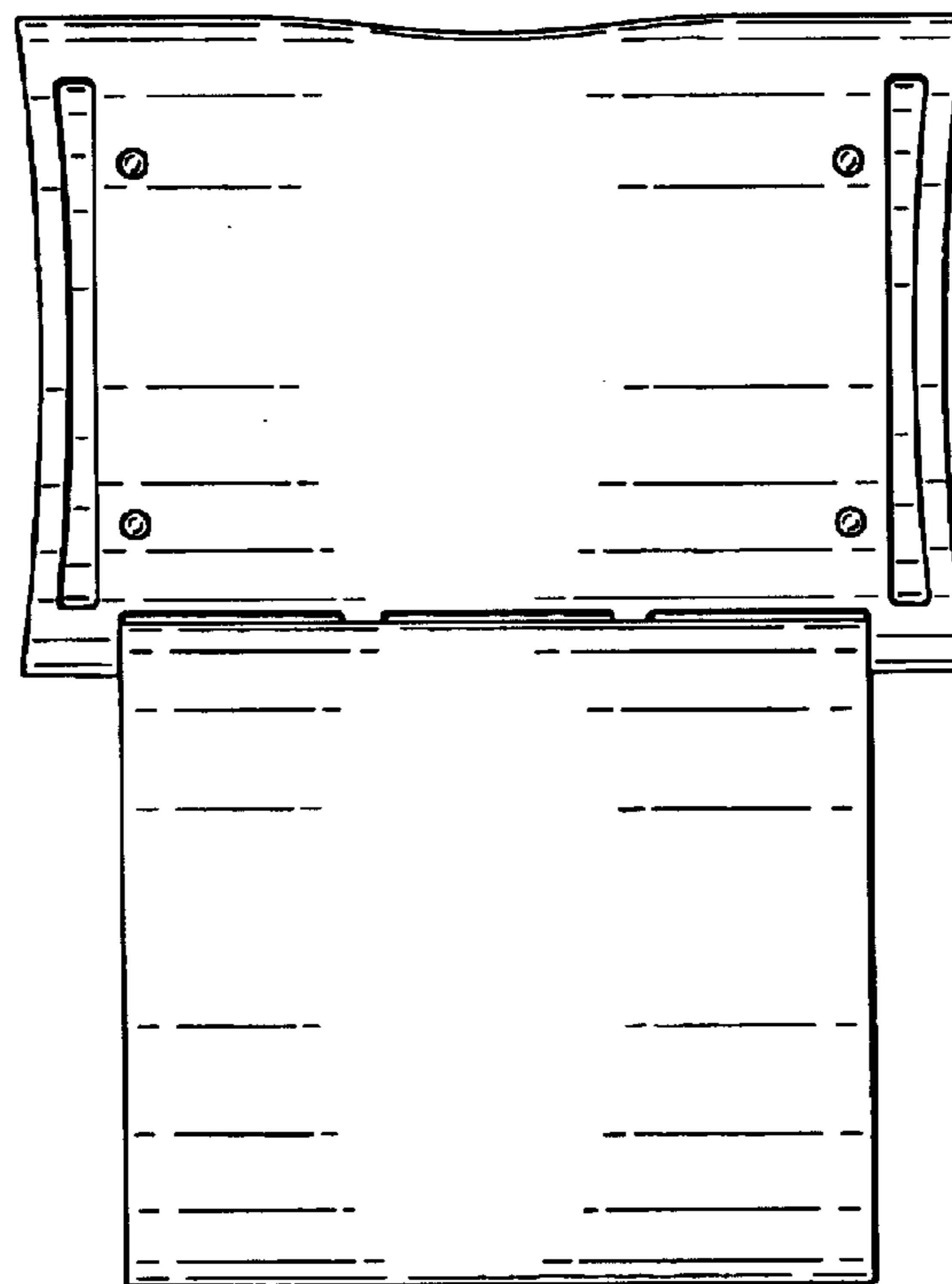


FIG. 6

FIG. 7

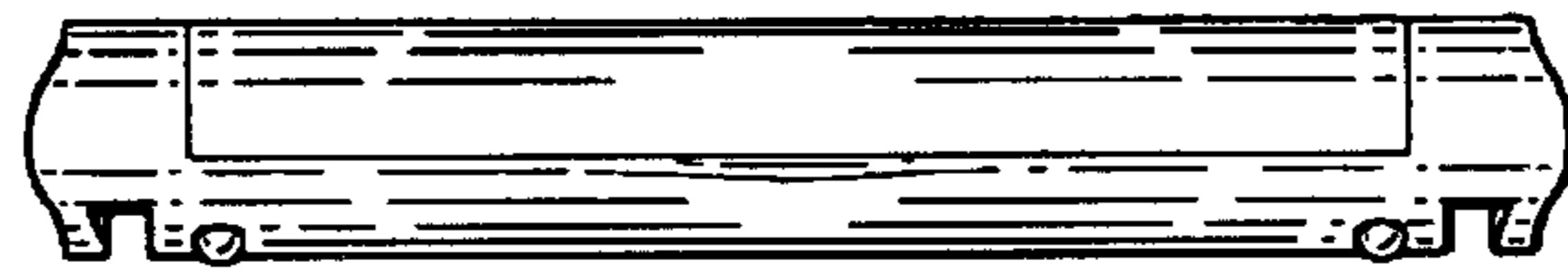
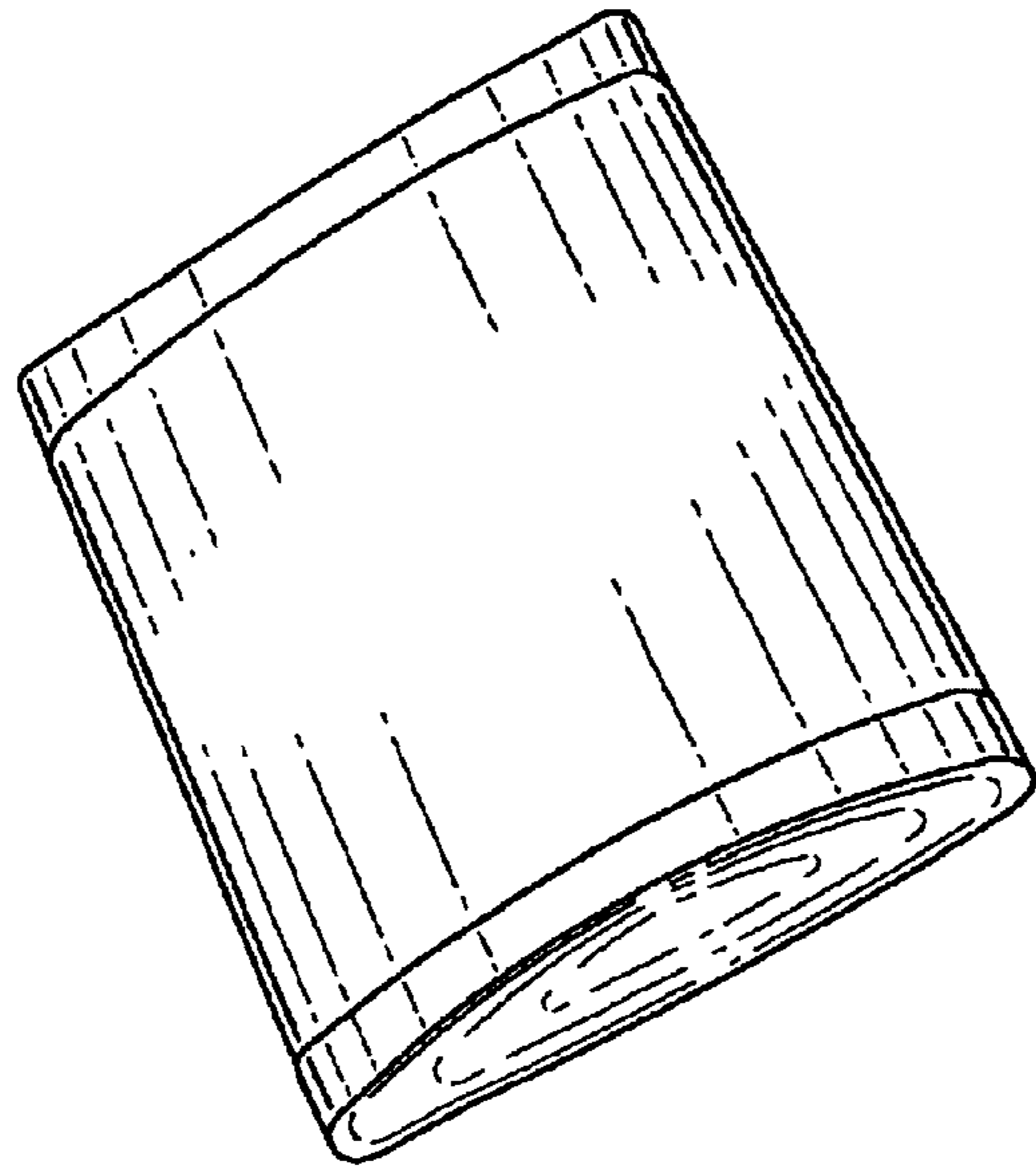


FIG. 8

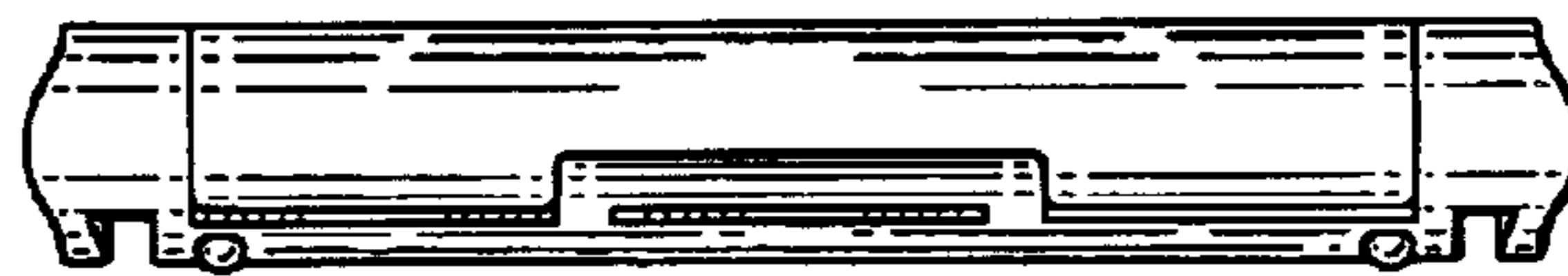


FIG. 9

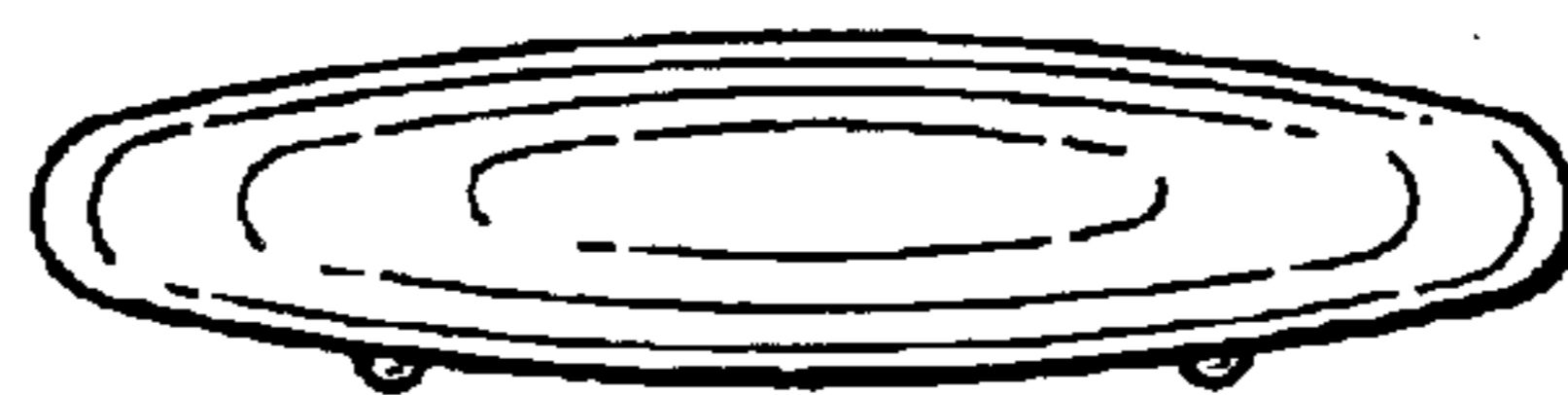


FIG. 10

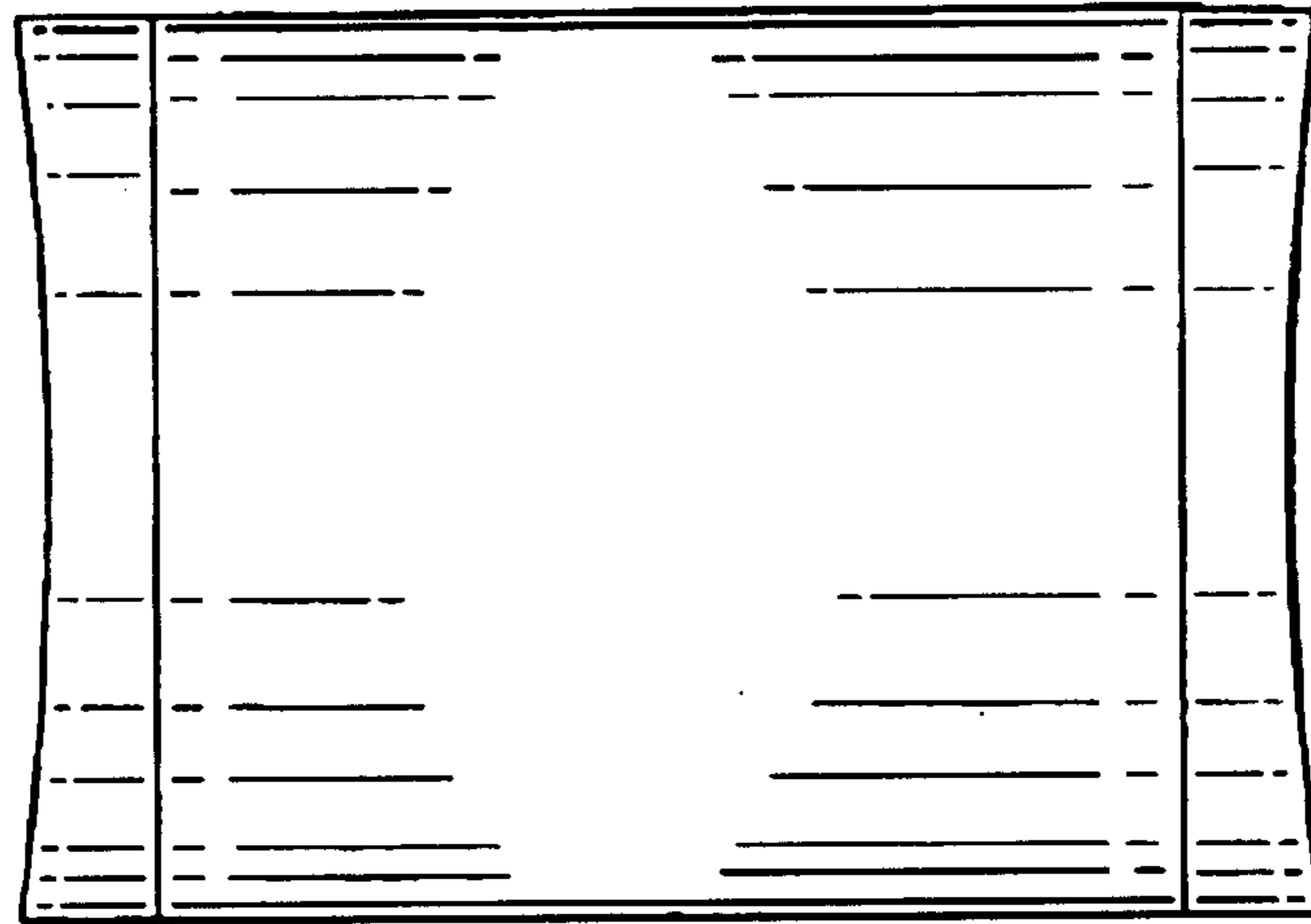


FIG. 11

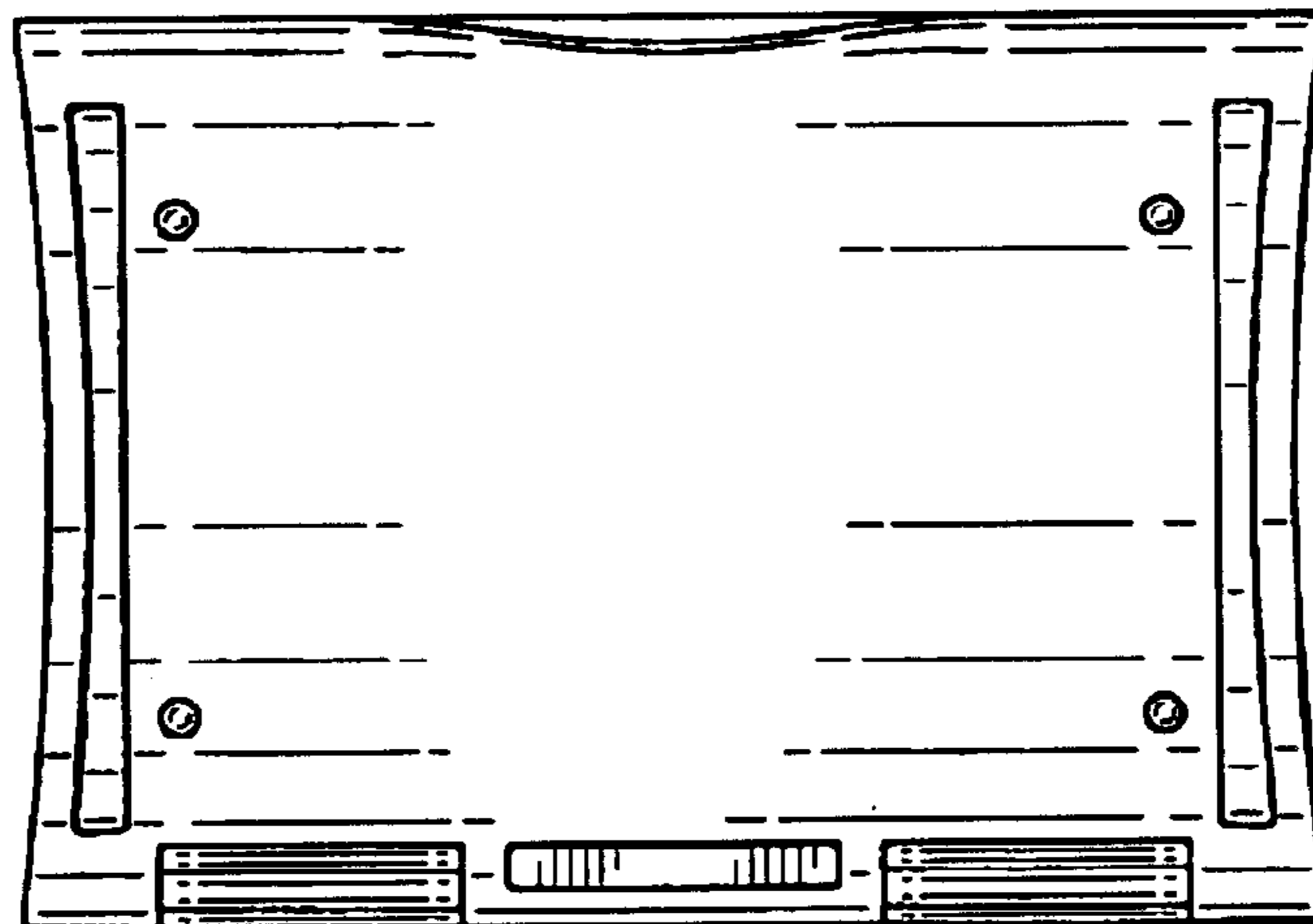


FIG. 12