



US00D498873S

(12) **United States Design Patent**
Fontaine

(10) **Patent No.:** **US D498,873 S**

(45) **Date of Patent:** **** Nov. 23, 2004**

(54) **LIGHTER**

(75) **Inventor:** **Walter G. Fontaine**, Narragansett, RI (US)

(73) **Assignee:** **Colibri Corporation**, Providence, RI (US)

(**) **Term:** **14 Years**

(21) **Appl. No.:** **29/193,148**

(22) **Filed:** **Nov. 4, 2003**

(51) **LOC (7) Cl.** **27-05**

(52) **U.S. Cl.** **D27/143; D27/157**

(58) **Field of Search** D27/141, 142,
D27/143, 154, 157; 431/253; 131/249;
30/109-113

(56) **References Cited**

U.S. PATENT DOCUMENTS

- D435,691 S * 12/2000 Reynolds D27/143
- 6,293,783 B1 * 9/2001 Lee 431/253
- D451,635 S * 12/2001 Smith D27/143

D459,835 S * 7/2002 Lim D27/143

* cited by examiner

Primary Examiner—Jennifer Rivard

(74) *Attorney, Agent, or Firm*—Salter & Michaelson

(57) **CLAIM**

The ornamental design for a lighter, as shown and described.

DESCRIPTION

FIG. 1 is a perspective view of a lighter showing my new design;

FIG. 2 is a front elevational view thereof;

FIG. 3 is a rear elevational view thereof;

FIG. 4 is a left side elevational view thereof;

FIG. 5 is a right side elevational view thereof;

FIG. 6 is a top plan view thereof;

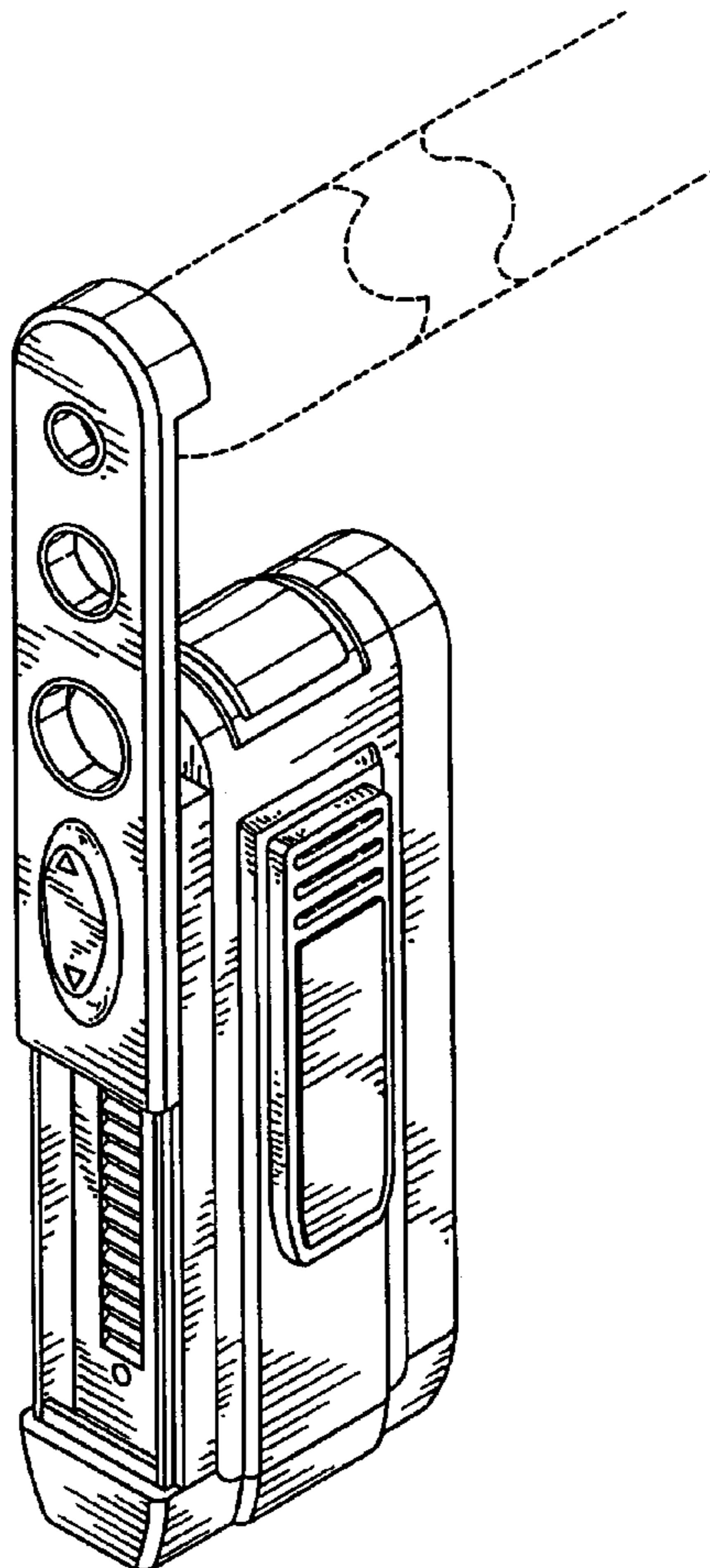
FIG. 7 is a bottom plan view thereof; and

FIG. 8 is a perspective view thereof showing the cover in an open position; and,

FIG. 9 is a perspective view thereof showing the cutter in an open position with a cigar attached thereto.

The portions shown in broken lines are included for illustrative purpose only and form no part of the claimed design.

1 Claim, 5 Drawing Sheets



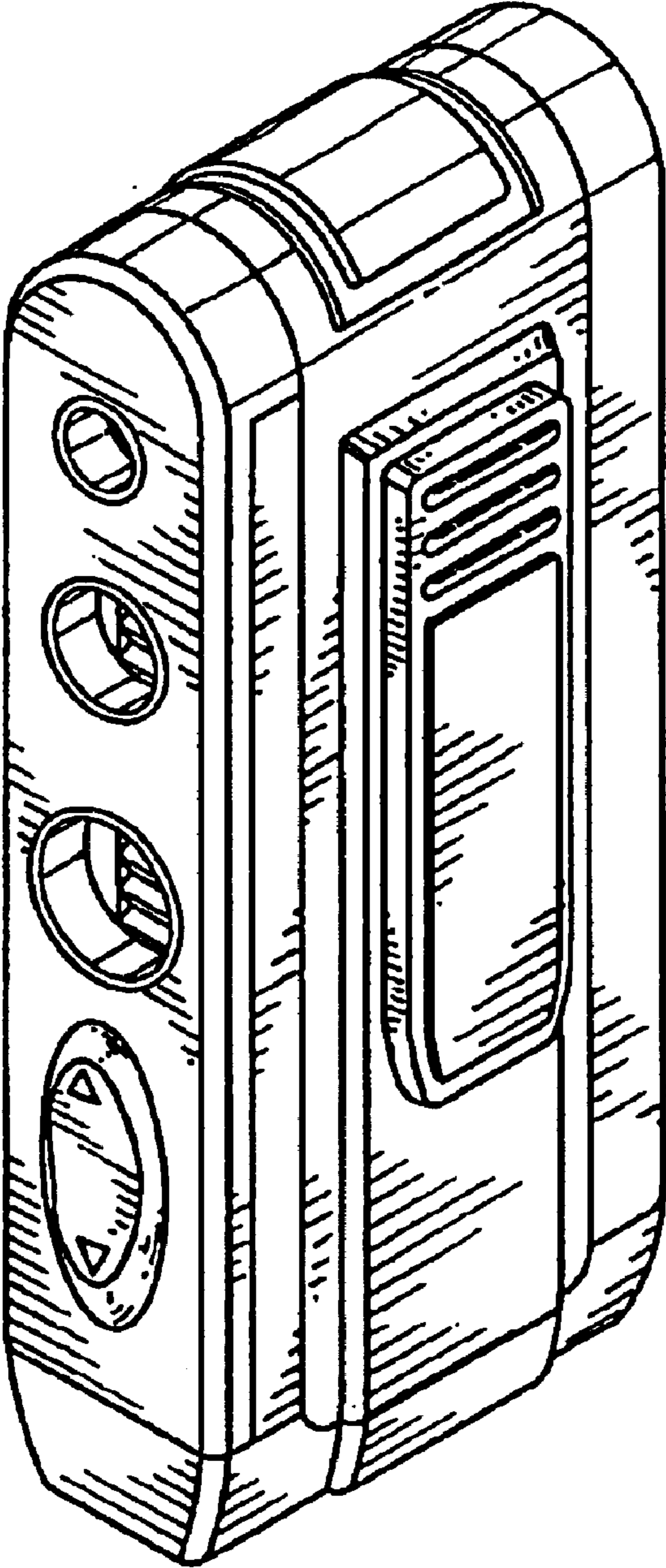


FIG. 1

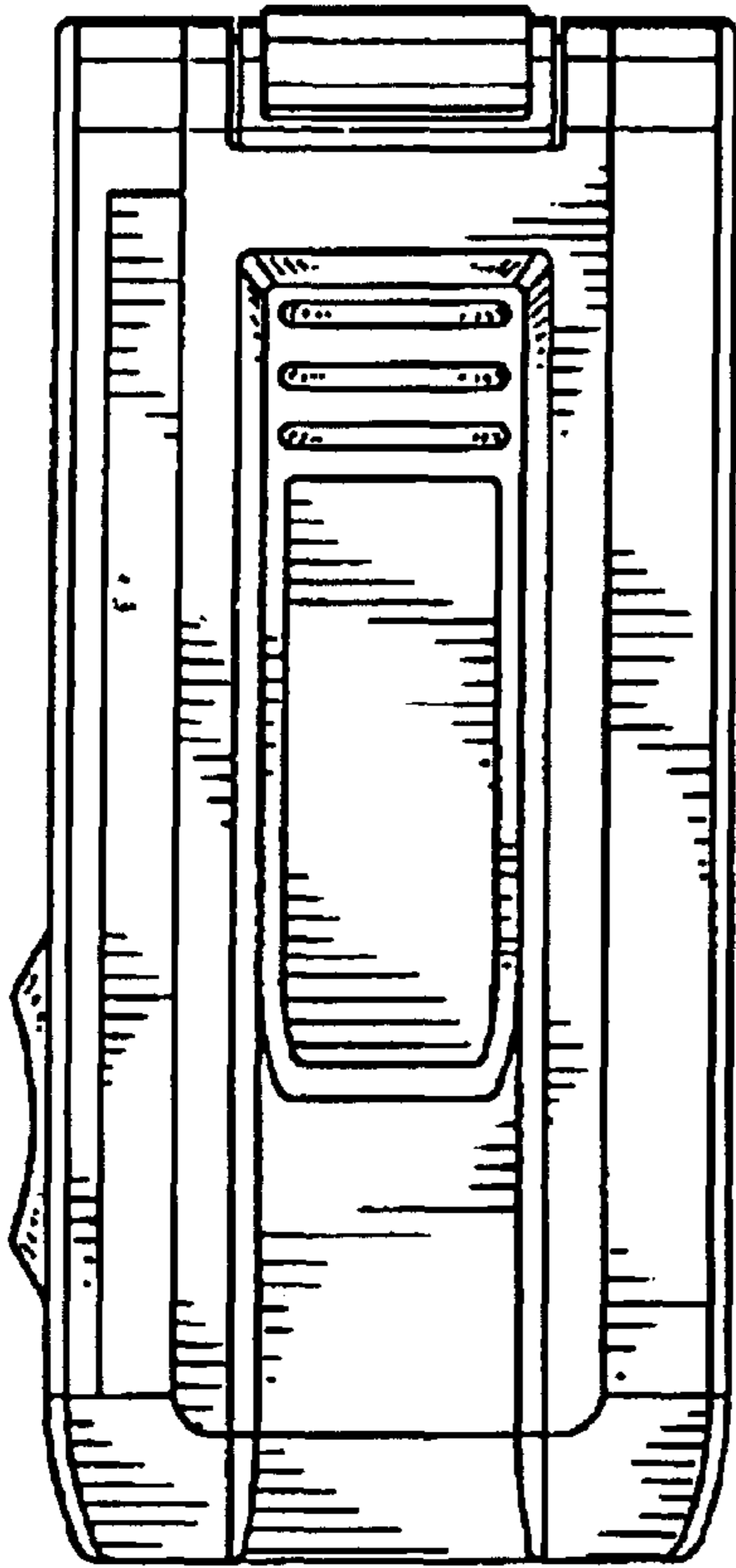


FIG. 2

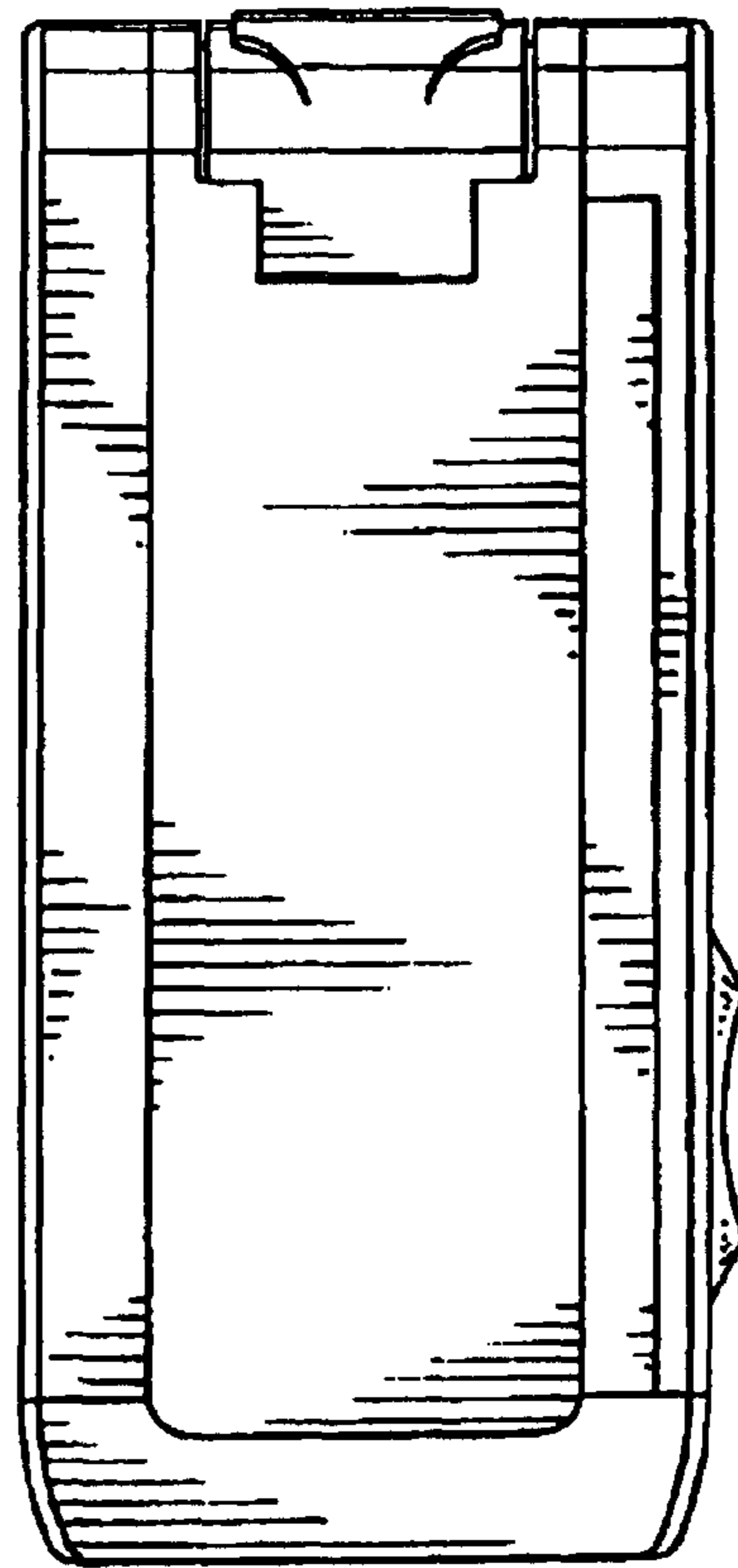


FIG. 3

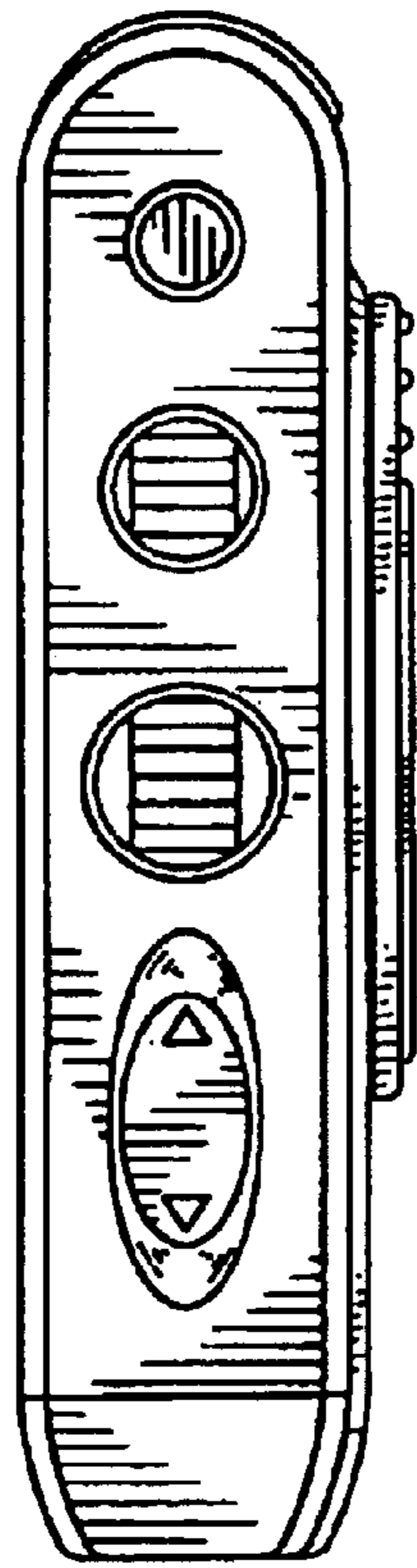


FIG. 4

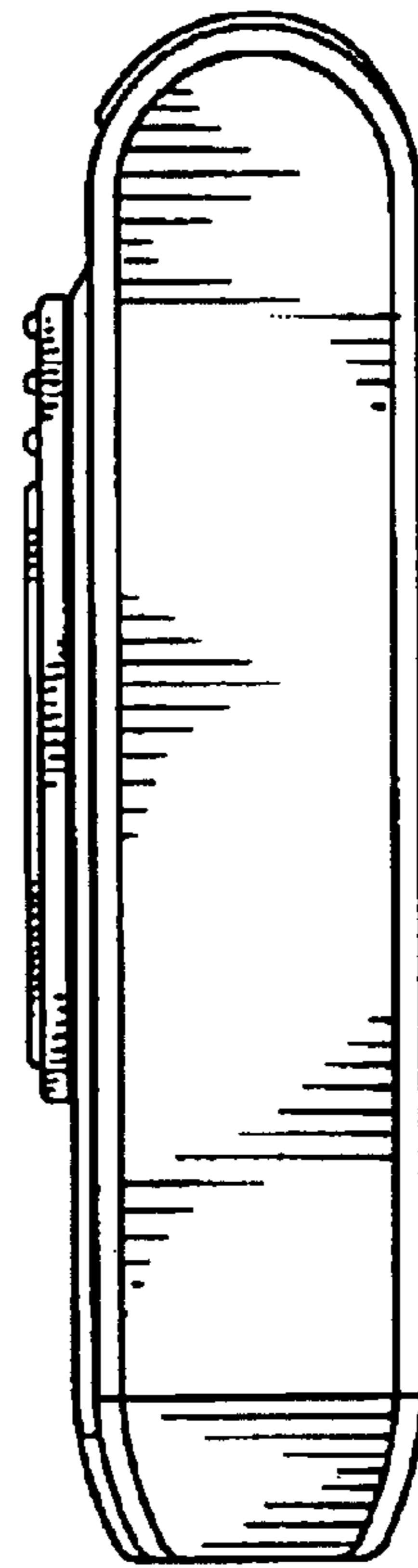


FIG. 5

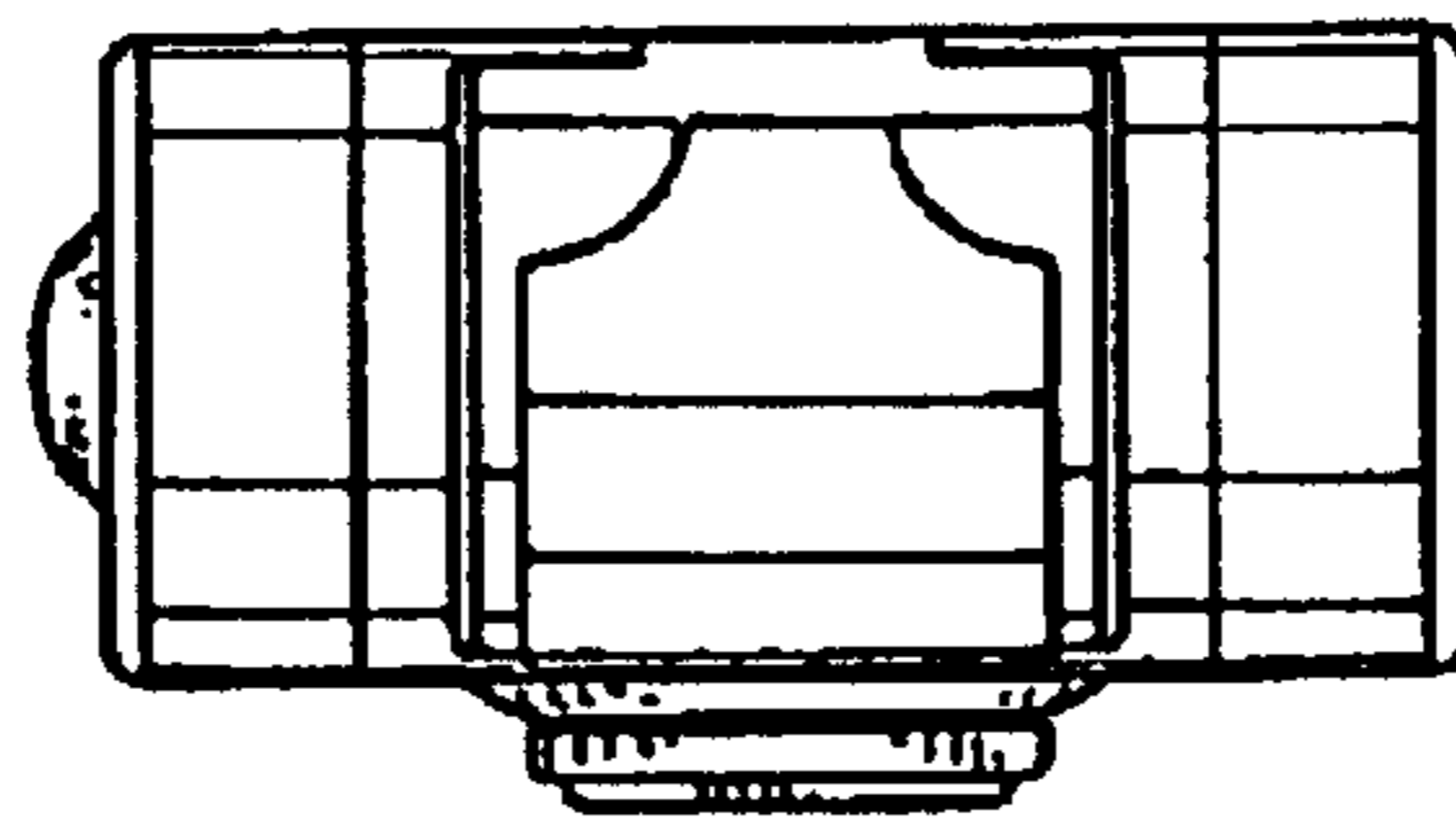


FIG. 6

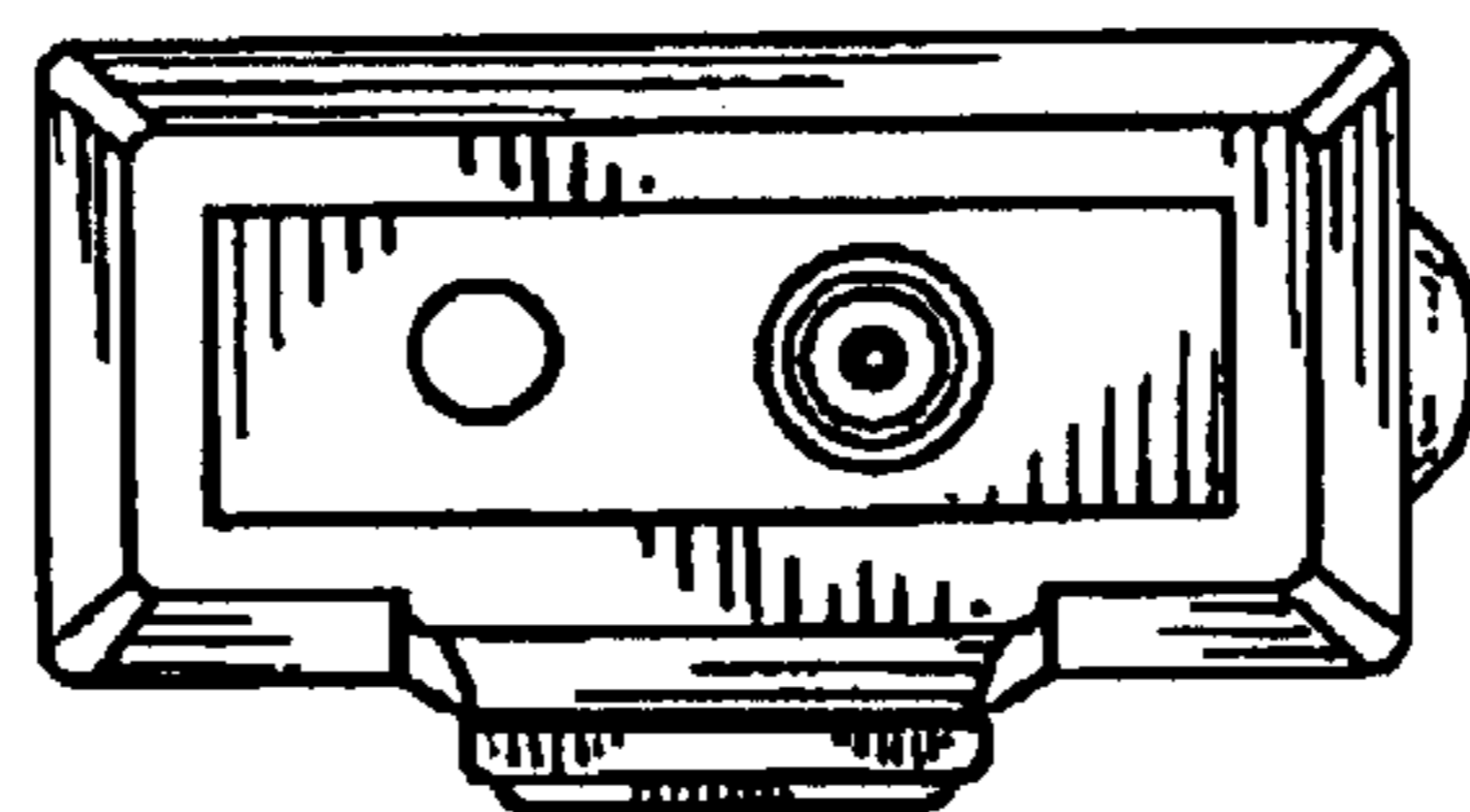


FIG. 7

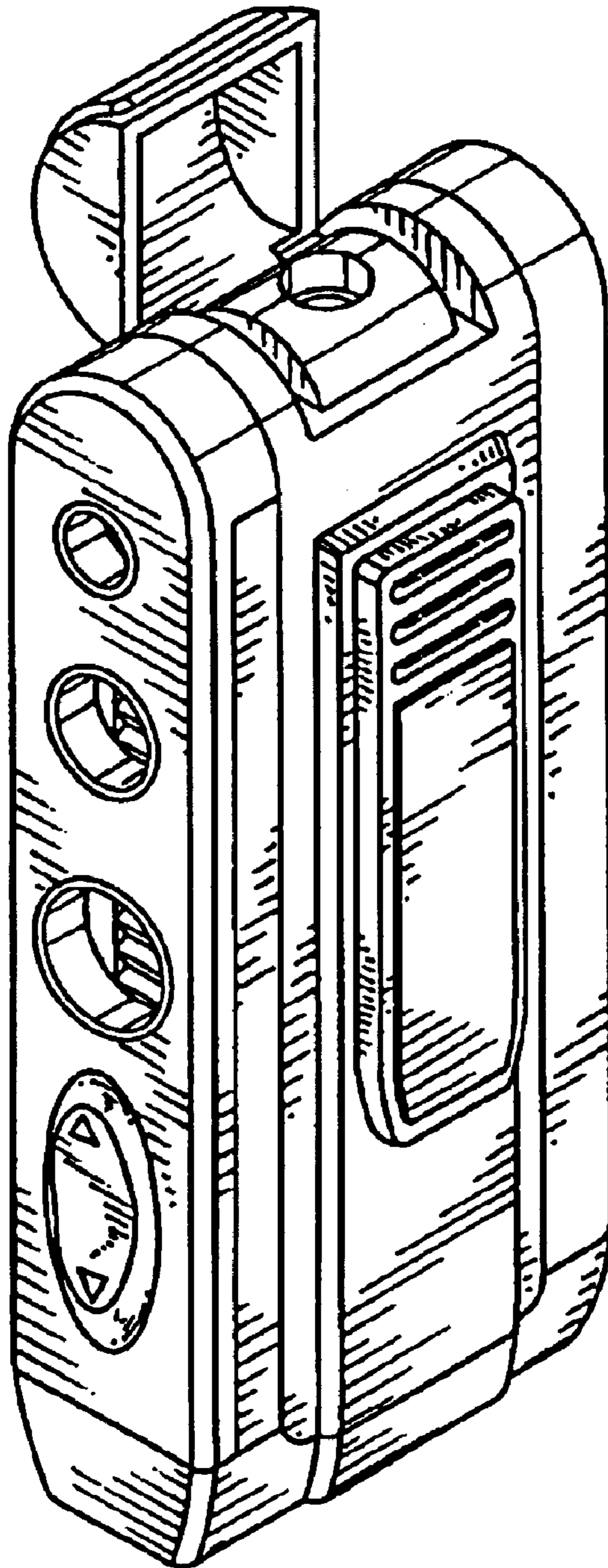


FIG. 8

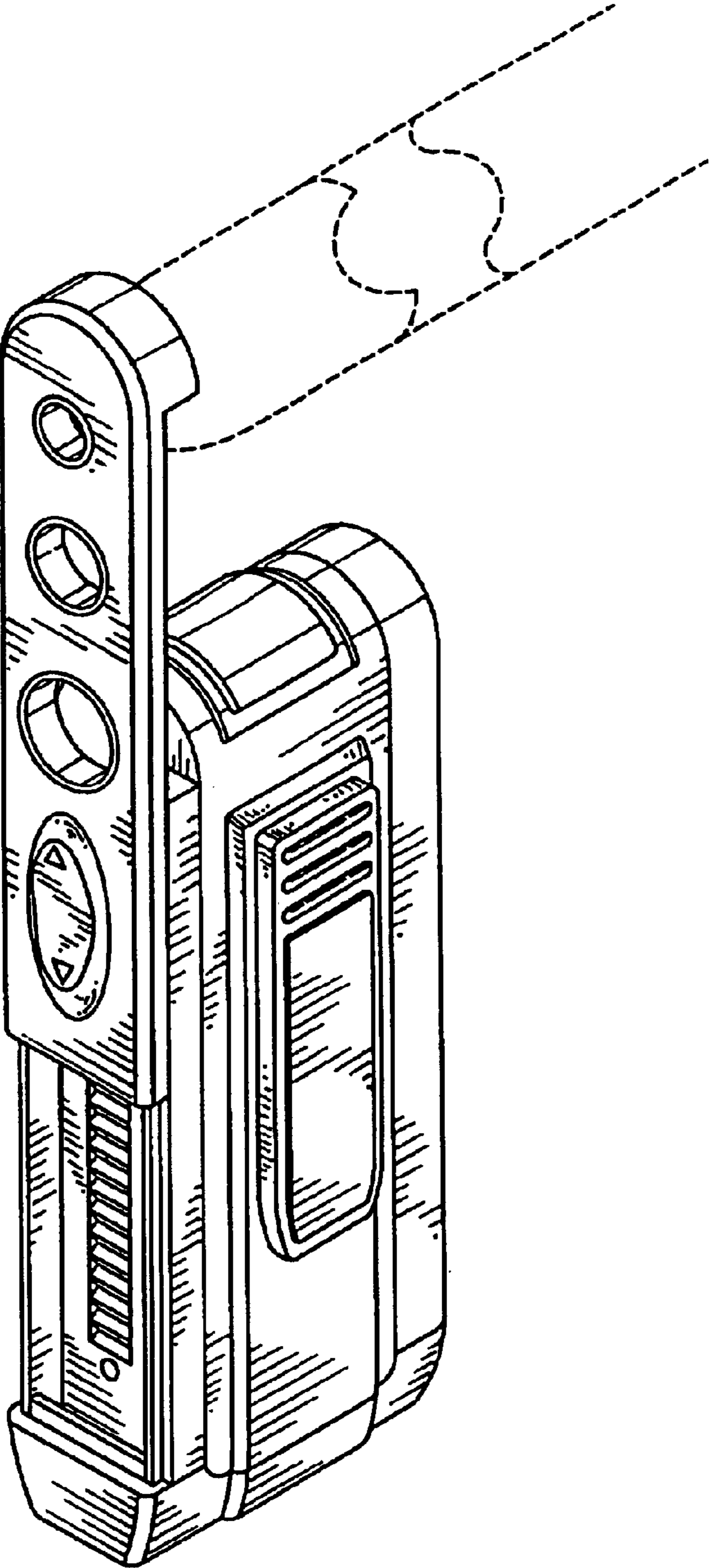


FIG. 9