

US00D498870S

(12) **United States Design Patent** (10) **Patent No.:** **US D498,870 S**
Parres (45) **Date of Patent:** **** Nov. 23, 2004**

(54) **LIGHTING FIXTURE**

(75) Inventor: **Miguel Parres**, Alta Loma, CA (US)

(73) Assignee: **Minka Lighting, Inc.**, Corona, CA (US)

(**) Term: **14 Years**

(21) Appl. No.: **29/191,038**

(22) Filed: **Sep. 29, 2003**

(51) **LOC (7) Cl.** **26-03**

(52) **U.S. Cl.** **D26/86; D26/81; D26/84**

(58) **Field of Search** **D26/72-92; 362/147, 362/404-408**

(56) **References Cited**

U.S. PATENT DOCUMENTS

D357,996 S	*	5/1995	Dolan	D26/86
D372,551 S	*	8/1996	Dolan	D26/81
D430,689 S	*	9/2000	Chiang	D26/80
D445,940 S	*	7/2001	Davis, Jr.	D26/81
D459,524 S	*	6/2002	Dolan	D26/86
D459,826 S	*	7/2002	Dolan	D26/81
D488,881 S	*	4/2004	Dolan	D26/81

OTHER PUBLICATIONS

U.S. patent application Ser. No. 29/190,990, filed Sep. 29, 2003, Miguel Parres.

U.S. patent application Ser. No. 29/190,992, filed Sep. 29, 2003, Miguel Parres.

U.S. patent application Ser. No. 29/191,024, filed Sep. 29, 2003, Miguel Parres.

U.S. patent application Ser. No. 29/191,031, filed Sep. 29, 2003, Miguel Parres.

Wall Mount bath 3Lt Incandescent, Oct. 2003, Kichler, Inc.
4 Light Cobalt Chandelier, Oct. 2003, Kichler, Inc.
3 Light Cobalt Bath Fixture, Oct. 2003, Kichler, Inc.

* cited by examiner

Primary Examiner—Clare E Heflin

(74) *Attorney, Agent, or Firm*—Jenkins & Gilchrist, P.C.

(57) **CLAIM**

The ornamental design for the lighting fixture, as shown and described.

DESCRIPTION

FIG. 1 is a perspective view from above of a lighting fixture in accordance with my design;

FIG. 2 is a perspective view from below of a lighting fixture in accordance with my design;

FIG. 3 is a side elevation view of the lighting fixture in accordance with my design;

FIG. 4 is a front elevation view of the lighting fixture in accordance with my design;

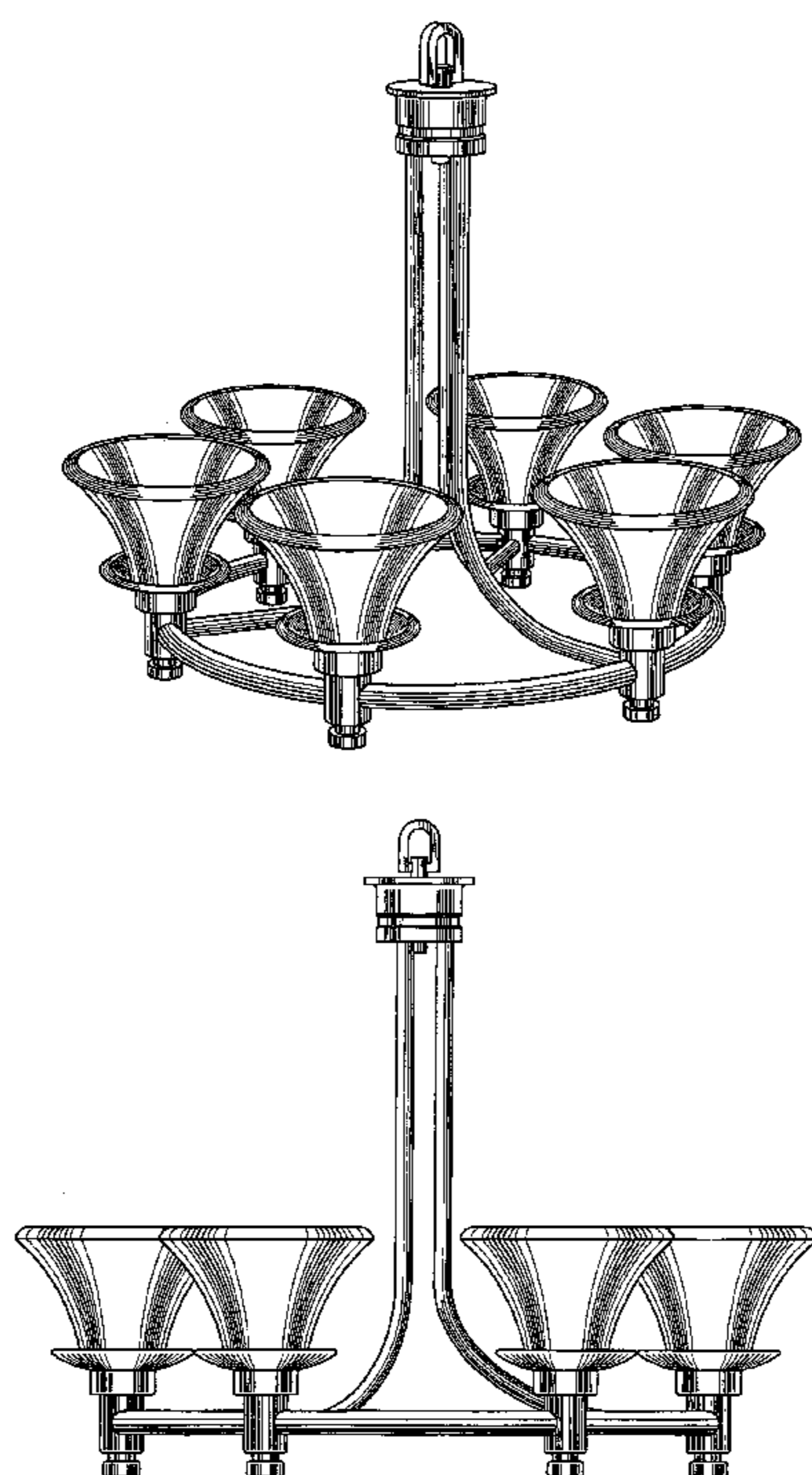
FIG. 5 is a top plan view of the lighting fixture in accordance with my design; and,

FIG. 6 is a bottom plan view of the lighting fixture in accordance with my design.

The front and side elevation views are symmetrical.

The broken lines shown on the drawings are for illustrative purposes only and form no part of the claimed design.

1 Claim, 6 Drawing Sheets



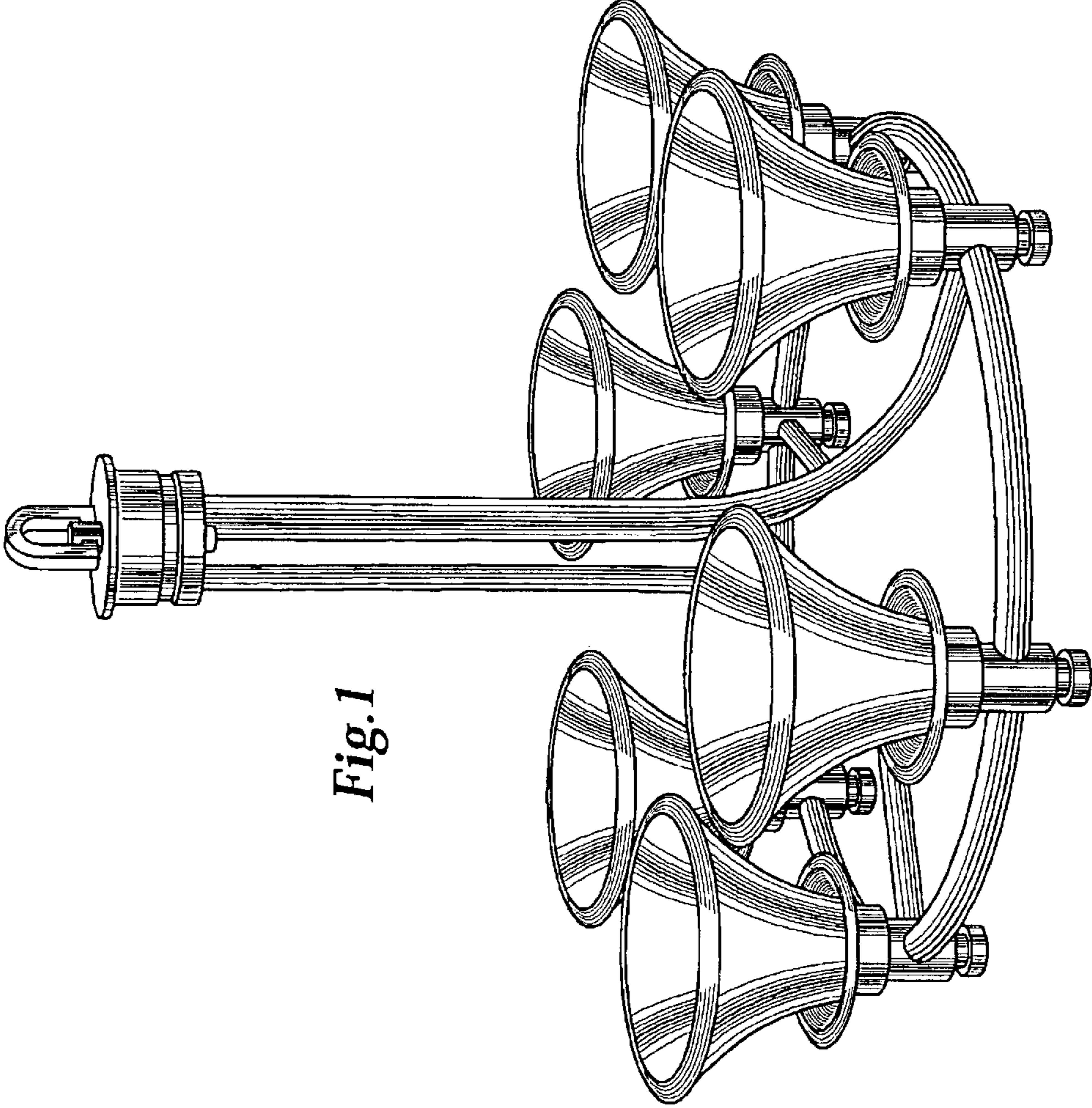


Fig. 1

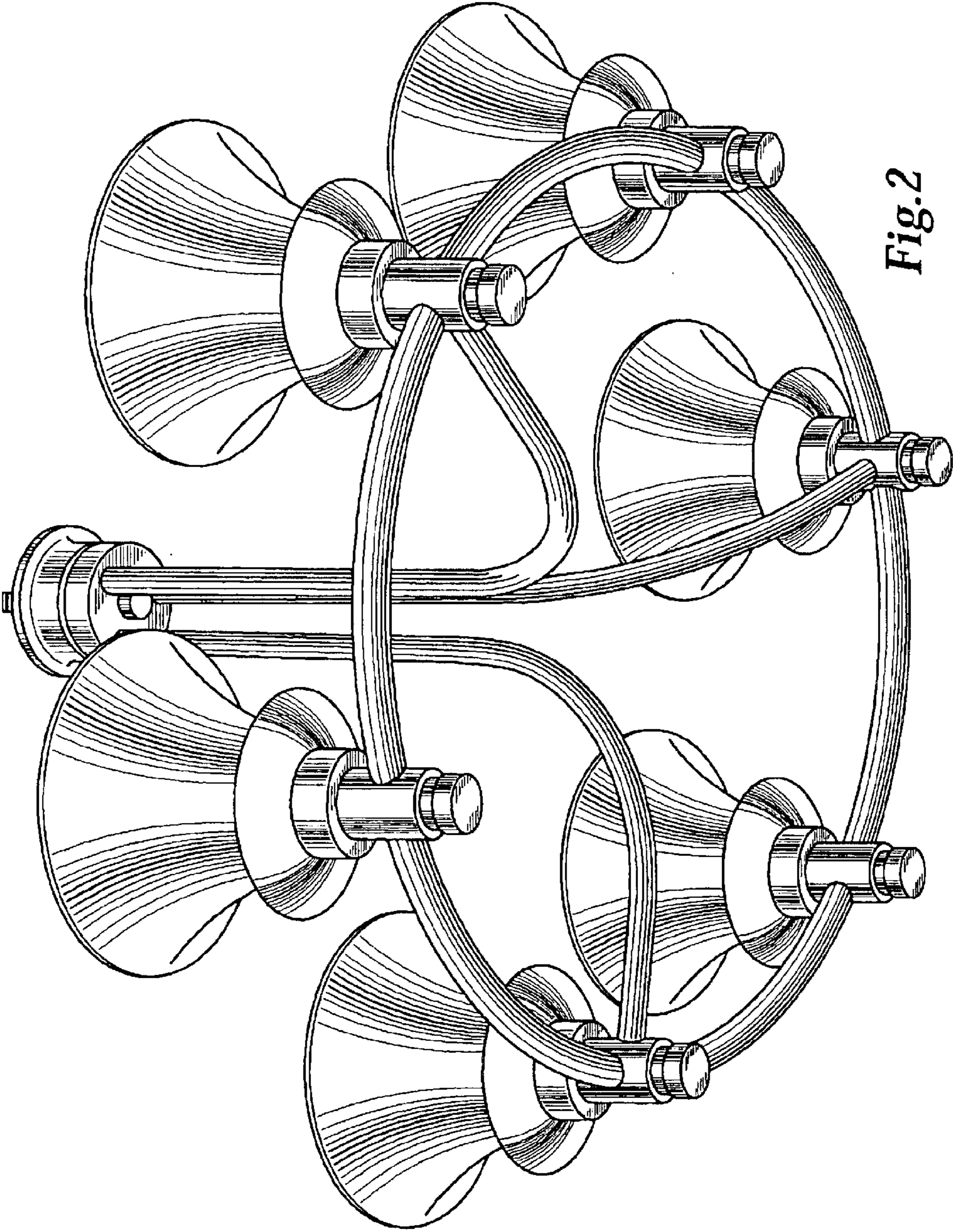


Fig. 2

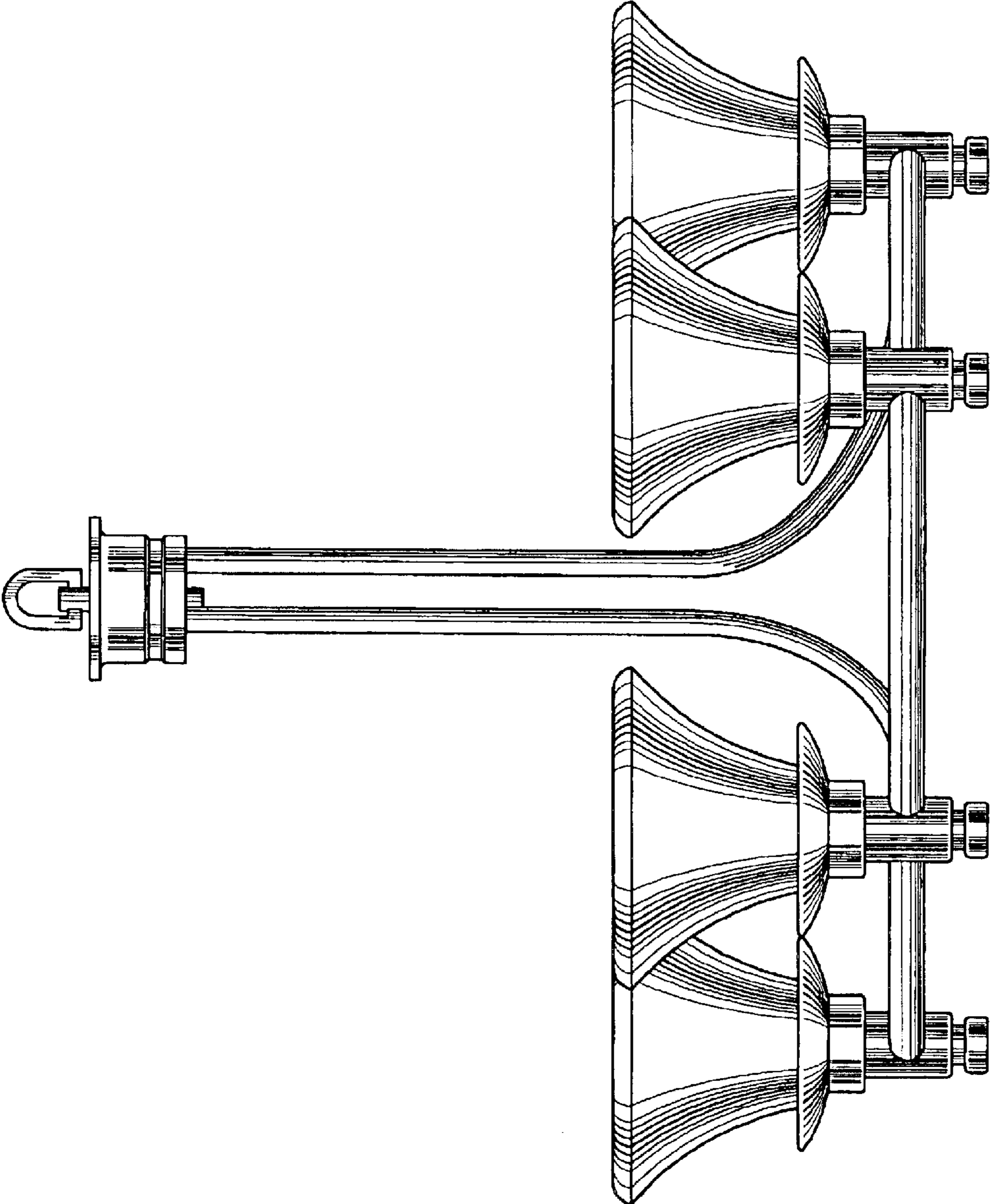


Fig.3

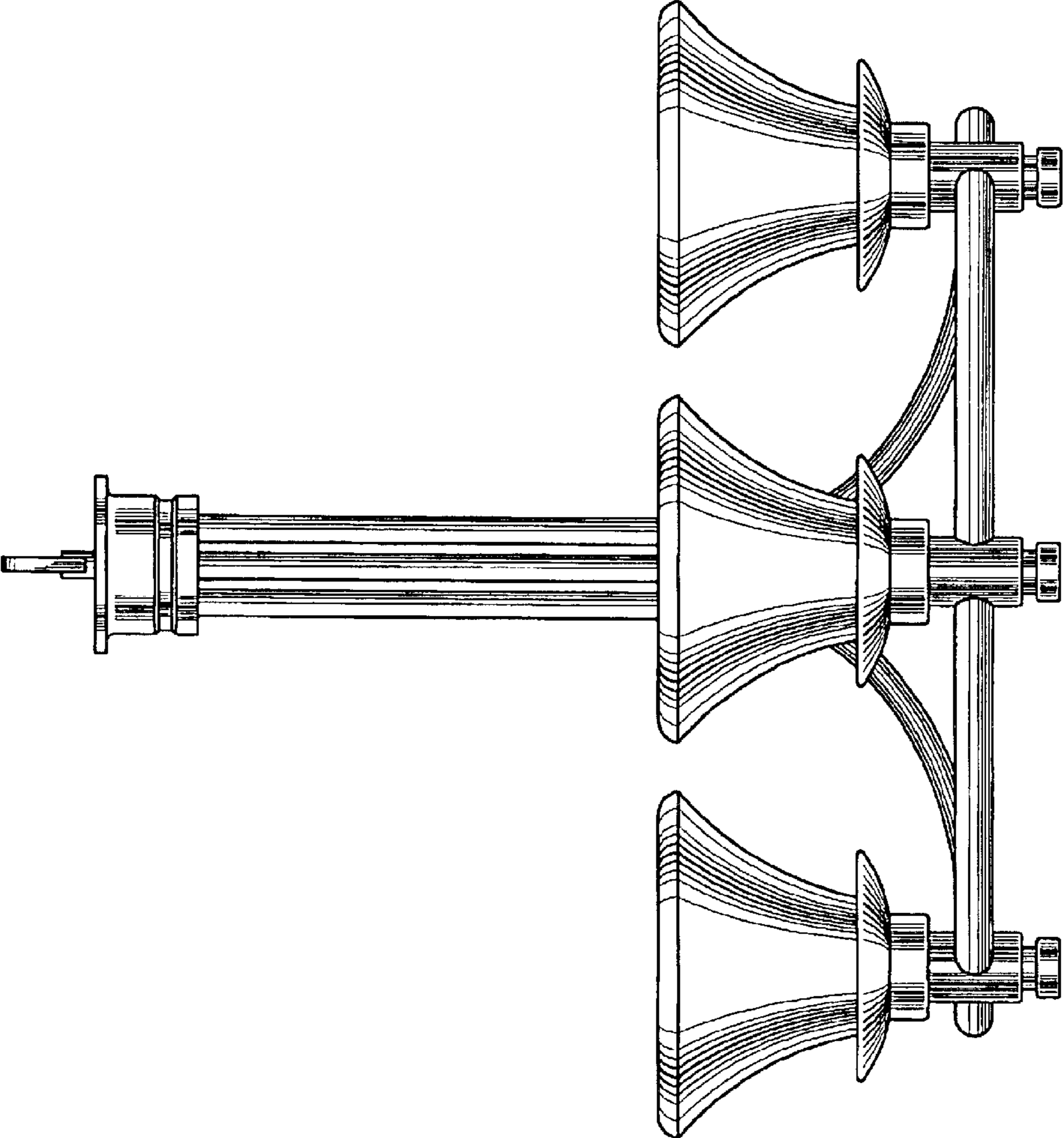


Fig. 4

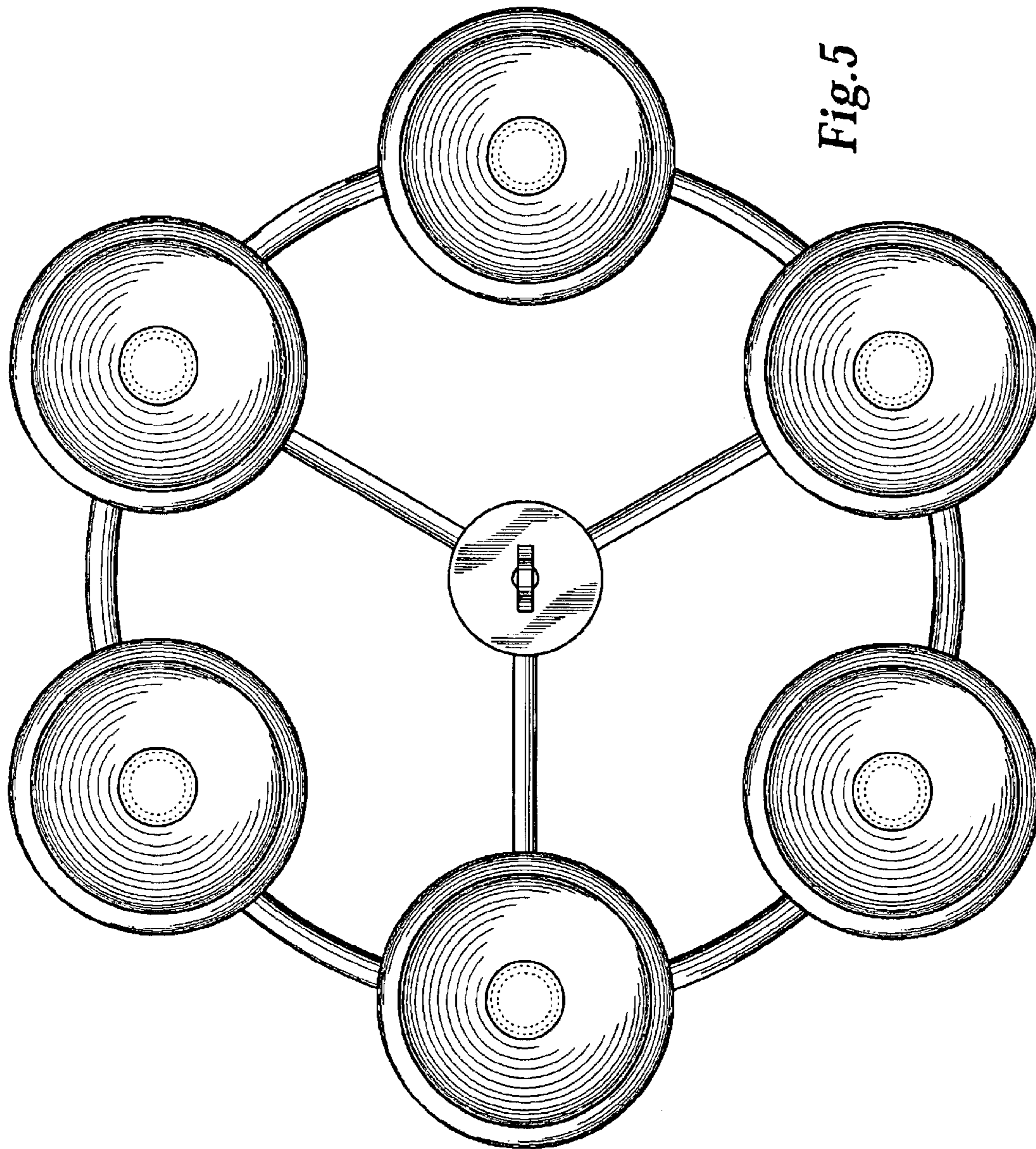


Fig. 5

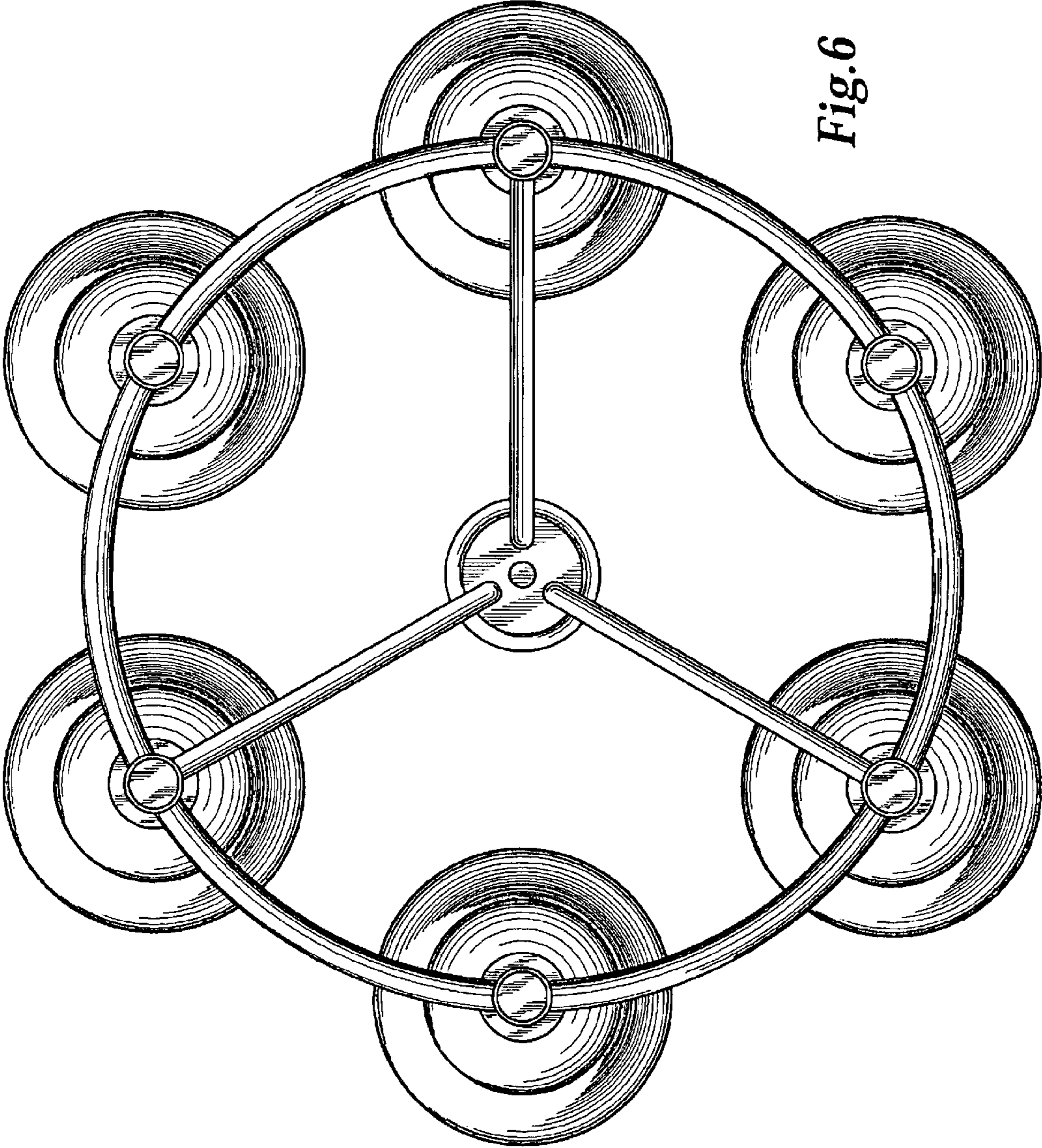


Fig. 6