

US00D498867S

(12) **United States Design Patent**
Keller

(10) **Patent No.: US D498,867 S**
(45) **Date of Patent: ** Nov. 23, 2004**

- (54) **LIGHTING FIXTURE**
- (75) **Inventor: Charles Keller, St. Gallen (CH)**
- (73) **Assignee: Zumtobel Staff GmbH, Dornbirn (AT)**
- (**) **Term: 14 Years**
- (21) **Appl. No.: 29/194,947**
- (22) **Filed: Dec. 4, 2003**

D127,823 S	6/1941	Biller	D26/78
2,287,565 A	6/1942	Phillips	362/220
2,531,232 A	11/1950	Naysmith	362/219
2,564,273 A	8/1951	Neuman	362/221
3,125,301 A	3/1964	Stotter	362/217
4,407,011 A	9/1983	Lahm	362/225
4,499,529 A	2/1985	Figueroa	362/217
6,033,092 A	3/2000	Simon	362/223
D463,879 S	10/2002	Mier-Langner et al.	D26/77
D464,161 S	10/2002	Nourishad	D26/78

Related U.S. Application Data

- (62) Division of application No. 29/173,475, filed on Dec. 31, 2002, now Pat. No. Des. 490,927.

(30) **Foreign Application Priority Data**

Jul. 4, 2002 (DE) 402 05 661

- (51) **LOC (7) Cl. 26-03**
- (52) **U.S. Cl. D26/78**
- (58) **Field of Search D26/24, 72, 75-78;**
362/217-225, 151, 133

(56) **References Cited**

U.S. PATENT DOCUMENTS

908,838 A	1/1909	Brown	D26/77
D125,001 S	2/1941	Klingsick	D26/78

Primary Examiner—Clare E Heflin

(74) *Attorney, Agent, or Firm*—Fitzpatrick, Cella, Harper & Scinto

(57) **CLAIM**

The ornamental design for a lighting fixture, as shown and described.

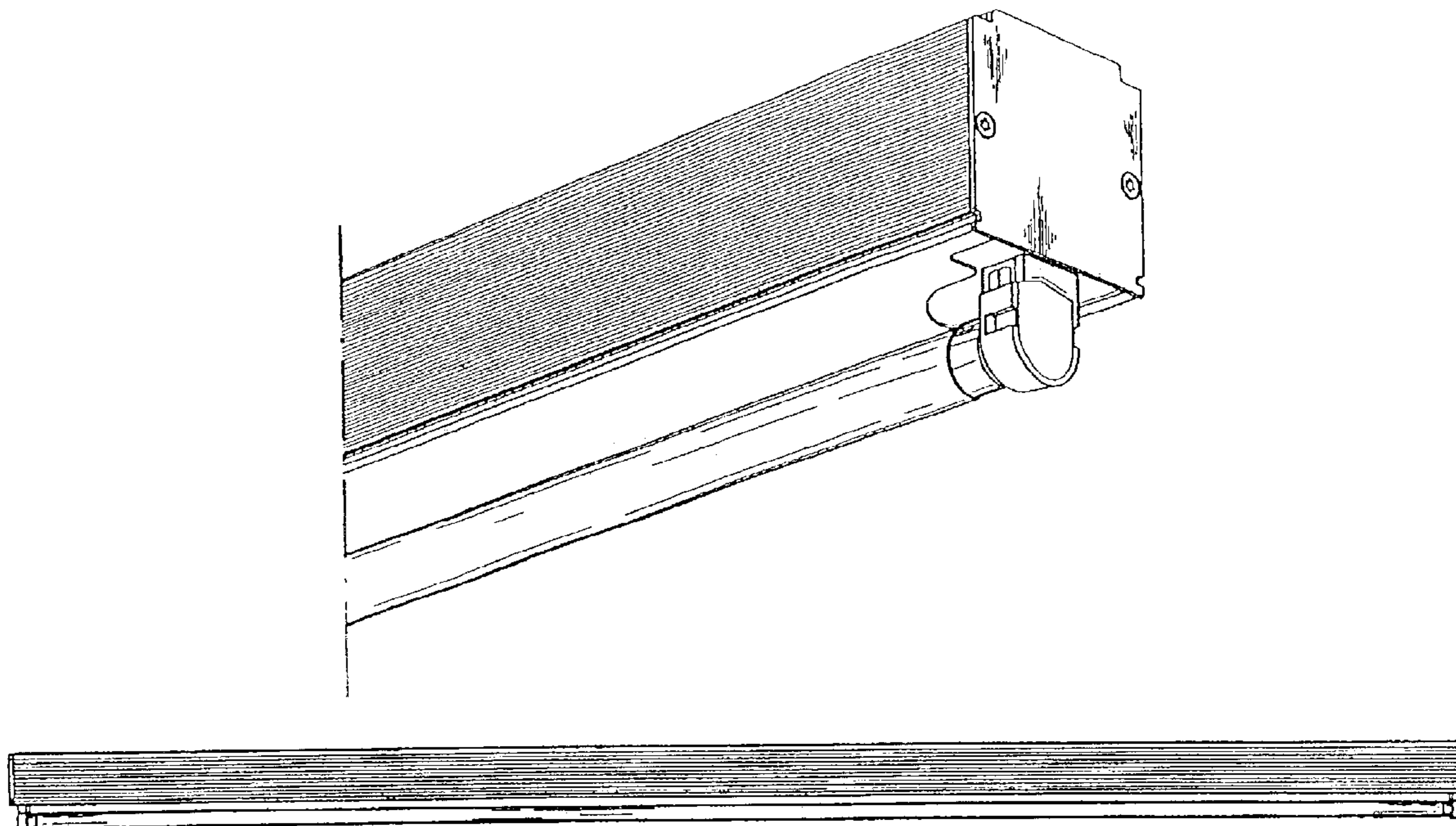
DESCRIPTION

FIG. 1 is an enlarged fragmentary end view of the lighting fixture, slightly tilted and showing one end and a portion of the bottom, of the new design;

FIG. 2 is a fragmentary perspective view showing one end, a portion of one side, and a portion of the bottom thereof; and,

FIG. 3 is a longitudinal side elevational thereof.

1 Claim, 2 Drawing Sheets



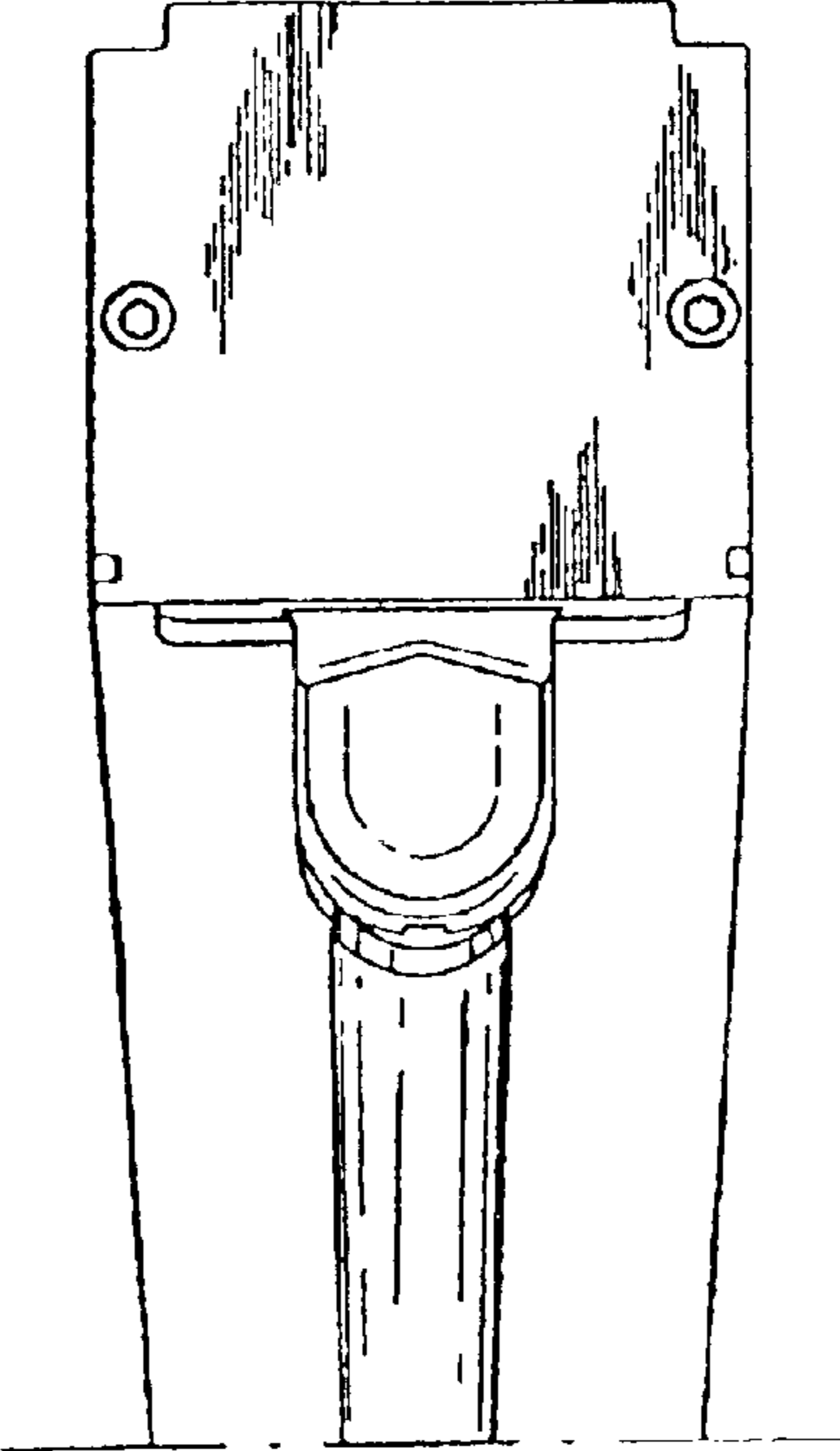


Fig. 1

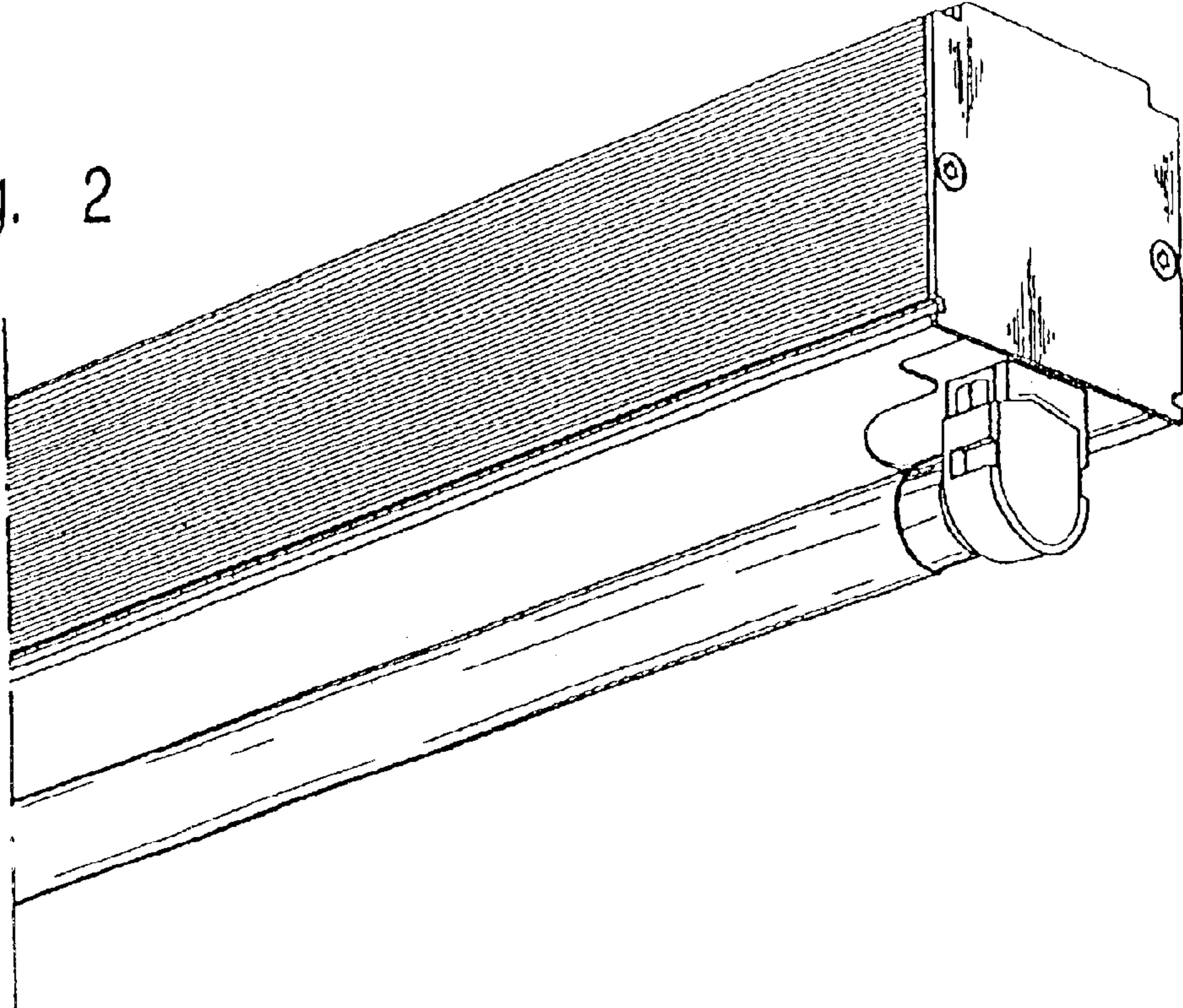


Fig. 2

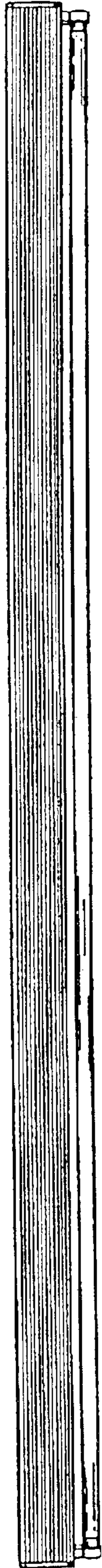


Fig. 3